

MAHLE

Driven by performance

WEATHERLY INDEX 002
Catalog No. AP-37-16
2016

2016

Heavy Duty Master Catalog for Commercial Vehicles

AFTERMARKET



MAHLE[®]
ORIGINAL

VICTOR REINZ[®]
Sealing Products

CLEVITE[®]

Table of Contents

Technical service	Page	2
How to use this catalog	Page	3
Sleeve assemblies	Page	4
Rebore kits & valvetrain components	Page	5
Nomenclature - wet sleeve	Page	6
Nomenclature - dry sleeve	Page	7
Nomenclature - piston	Page	8
Piston ring styles	Page	9
Nomenclature - bearings	Page	10
Bearing terminology	Page	11
Gasket sets	Page	12
Part number identification	Page	13
Caterpillar	Page	43
Cummins	Page	154
Detroit Diesel	Page	321
Mack	Page	389
MAN	Page	400
Mercedes-Benz	Page	402
Navistar	Page	442
Scania	Page	504
Volvo	Page	506
OE Interchanges	Page	527

Please Note: All manufacturer's names, symbols, numbers and descriptions are used for reference purposes only and it is not implied that any part is the product of these manufacturers. All information contained in this catalog is based on the latest data available at the time of printing. Although great care has been taken to ensure the accuracy of the data compiled in this catalog, MAHLE does not assume liability for errors or omissions.

For technical service call:
1-800-248-9606



**Hours: 8:30 am - 6:00 pm EST
(Monday - Friday)**

Use Of Clevite® engine parts and Victor Reinz® gaskets products in aircraft or other specialty equipment may be a violation of Local, State or Federal Regulatory Agency laws, rules and regulations.

These products are intended solely for automotive applications. Under absolutely NO circumstances should these products ever be used in non-automotive applications including, without limitation, aircraft engines, medical equipment, atomic energy devices or reactors.

“Federal, State and local laws restrict the removal, rendering inoperative, or in some cases the modification of factory installed emission devices or systems. California restricts the use of parts which could increase emissions in vehicles designed for use on public streets or highways. The sale or installation on emission controlled

vehicles of certain emission control components not approved by the California Air Resources Board, which alter or modify the original design or performance of such vehicle’s emission control system is prohibited. Some of the parts listed and offered for sale in this catalog may fall within the above restrictions. Such parts are intended only for use on off-road vehicles competing in competitive events or on other types of vehicles which are exempt from the applicable emission control laws. Installation of these parts on vehicles subject to emission control laws may be prohibited.

MAHLE Aftermarket recommends that the applicable emission control laws be reviewed before considering the installation of add-on or modified parts.”

Teflon and Viton are registered trademarks of DuPont Corporation.

How To Use This Catalog

This catalog is divided into two sections: engine kits and engine blocks.

Engine kit section: broken down by series; use the index in each section to find the desired engine kit

Each block has the following pertinent information to that kit number:

1. Engine application detail and block no.
2. Product and application notes
3. Kit number
4. Bill of materials

LINE #	NOTES	PART DESCRIPTION	OVERHAUL	QTY	IN-FRAME	QTY
3	4.016" 359 CID (5.9L) 6 Cyl 6B Series					3
3.1	Naturally Aspirated Engines	Kit Number	3 409-1006		409-5006	
	OE Piston Number(s) 3802060	Rebore Kit	225-3526	6	225-3526	6
	OE Rod Bearing Number(s) 3901170	Oversizes	STD-020-030-040		STD-020-030-040	
	OE Main Bearing Number(s) 3802070, 68002987AA	Connecting Rod Bearing	CB-1413P	6	CB-1413P	6
		Undersizes	P-25-50-75mm		P-25-50-75mm	4

Engine block section: locate the corresponding block number by using the model index in the front of the section

Each block has the following pertinent information to that part number:

1. Engine application detail and block no.
2. Engine models
3. Product category
4. Product description
5. Product and application notes
6. OE interchanges
7. Part number
8. Order quantity

2	1 4.016" 180 CID (3.0L) Cyl. 3 Engine Codes: '3B, 3B2.9, 3BT, 3BT2.9'					2
		3 Cylinder Components				
	Cylinder Sleeve	Repair Sleeve	3904166	6	226-4490	3
	Ring Set	Keystone Top Compression Ring	3802040		S41517	3
			3806241		S41517.020	7
			3806242		S41517.040	8
		Bearings				
	Connecting Rod	Machined Rod	3901170		CB-1413P	3

Sleeve Assemblies

MAHLE Clevite sleeve assemblies include the following components: cylinder sleeve (wet and dry), piston, piston pin, lock rings, piston ring set and sleeve sealing rings.

Heavy duty aluminum, iron and steel components provide the structural strength and dimensional integrity to give OE equivalent performance and life. Depending on the application, contemporary design features listed below are included.

Pistons

1. Ni-resist top grooves to control groove wear.
2. Balancing for smooth engine operation.

Piston Pins

1. High strength steels meet structural requirements to prevent pin breakage or deflection.
2. Case hardened to provide long lasting wear surfaces.
3. A high degree of dimensional and surface finish control are the final requirements for strength and long life.

Piston Rings

1. Latest, high strength materials to protect against fatigue breakage.
2. Chrome and moly plated O.D. finishes provide long lasting wear surfaces.
3. Chrome plated and nitrided steel oil rings give good oil control.

Sleeves

1. Sleeve material is carefully manufactured to give longest possible service life with the least amount of wear.
2. Heat treated as required.
3. Firewalls and head gasket beads are included to enhance gasket performance and life.
4. Cross-hatched, plateau honed finish on all I.D.'s provides proper sealing and surfaces for piston rings.

Sleeve Sealing Rings

1. Selected up-to-date compounds give good resistance to compression and thermal set, tearing and leaking.
2. Round, rectangular and square configurations are designed to meet the specific needs of different engines.



For Non-Sleeved Engines

MAHLE Clevite rebore kits include the following components: pistons, piston pins, lock rings and piston rings. Depending on the application, contemporary design features as listed below are included.

Pistons

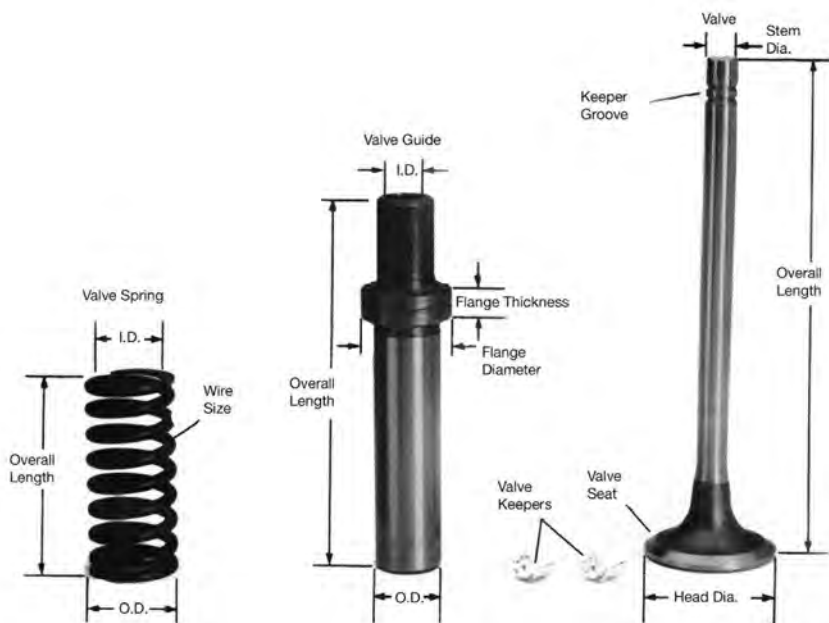
1. Ni-resist top grooves to control groove wear.
2. Balancing for smooth engine operation.

Piston Pins

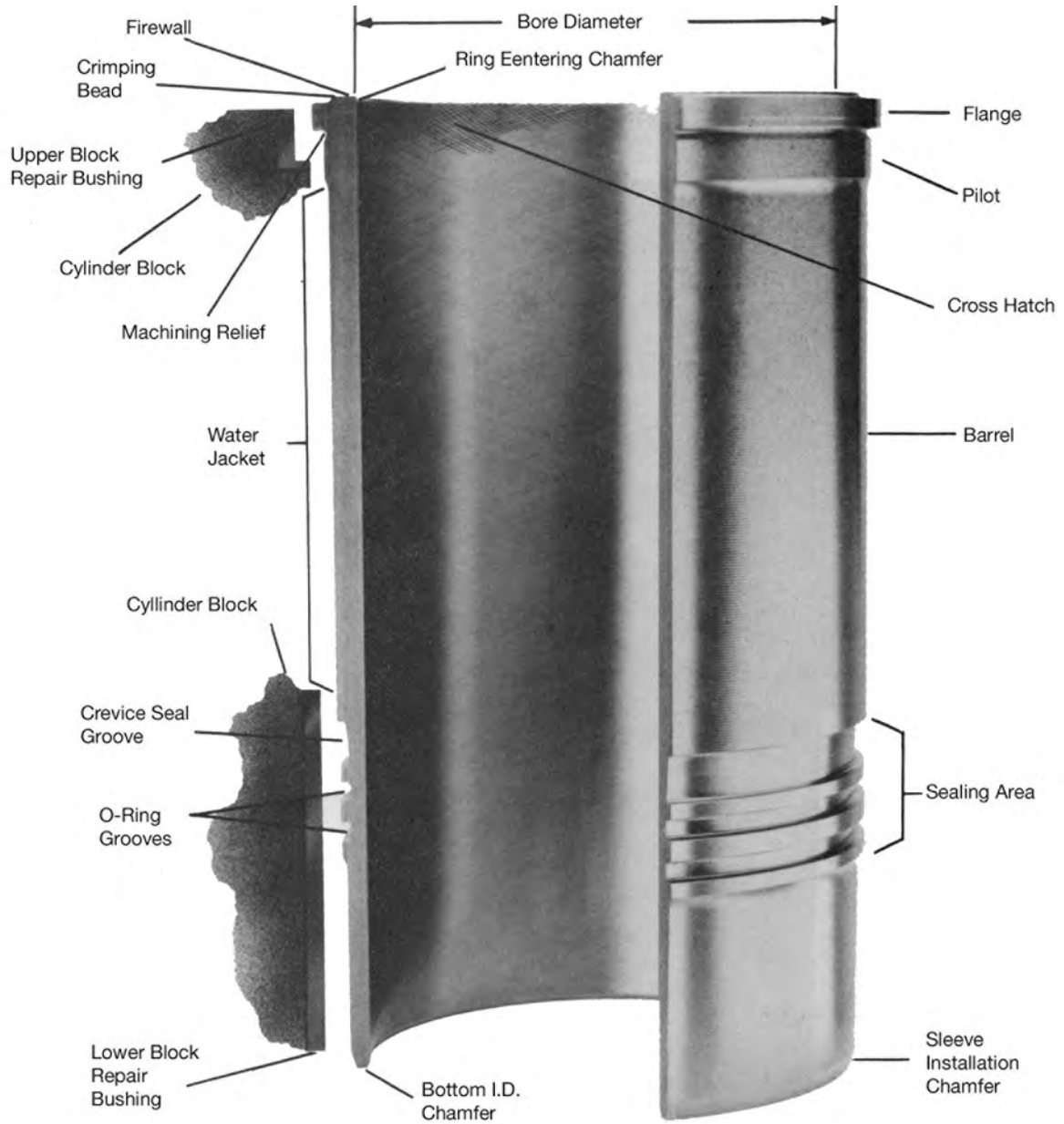
1. High strength steels meet structural requirements to prevent pin breakage or deflection.
2. Case hardened to provide long lasting wear surfaces.
3. A high degree of dimensional and surface finish control are the final requirements for strength and long life.

Piston Rings

1. Latest, high strength materials to protect against fatigue breakage.
2. Chrome and moly plated O.D. finishes provide long lasting wear surfaces.
3. Chrome plated and nitrided steel oil rings give good oil control.

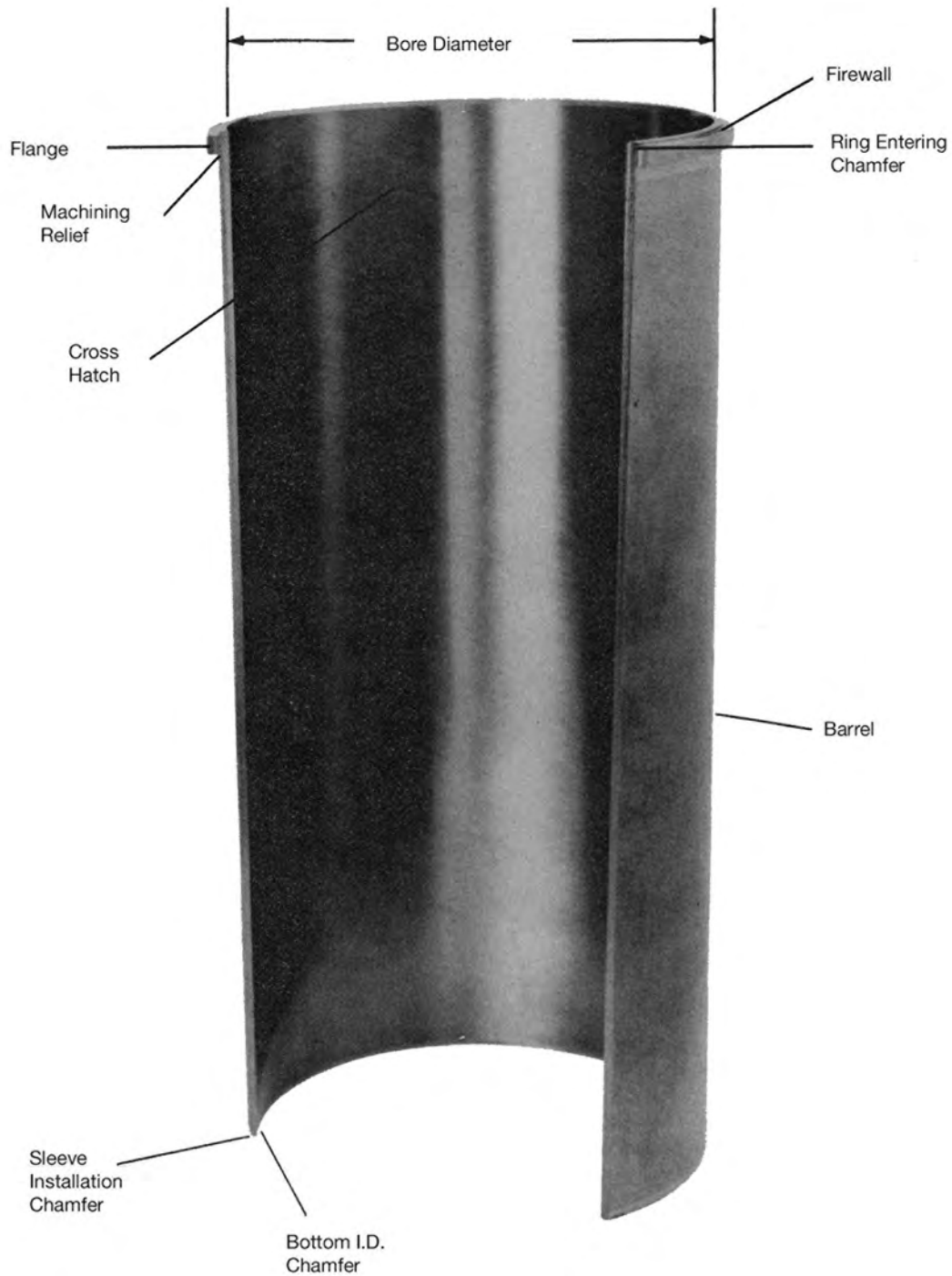


Wet Sleeve Nomenclature

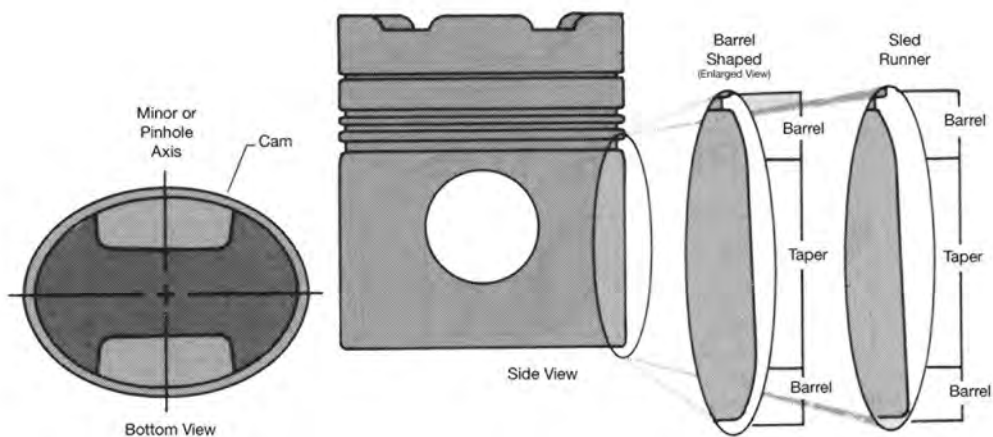
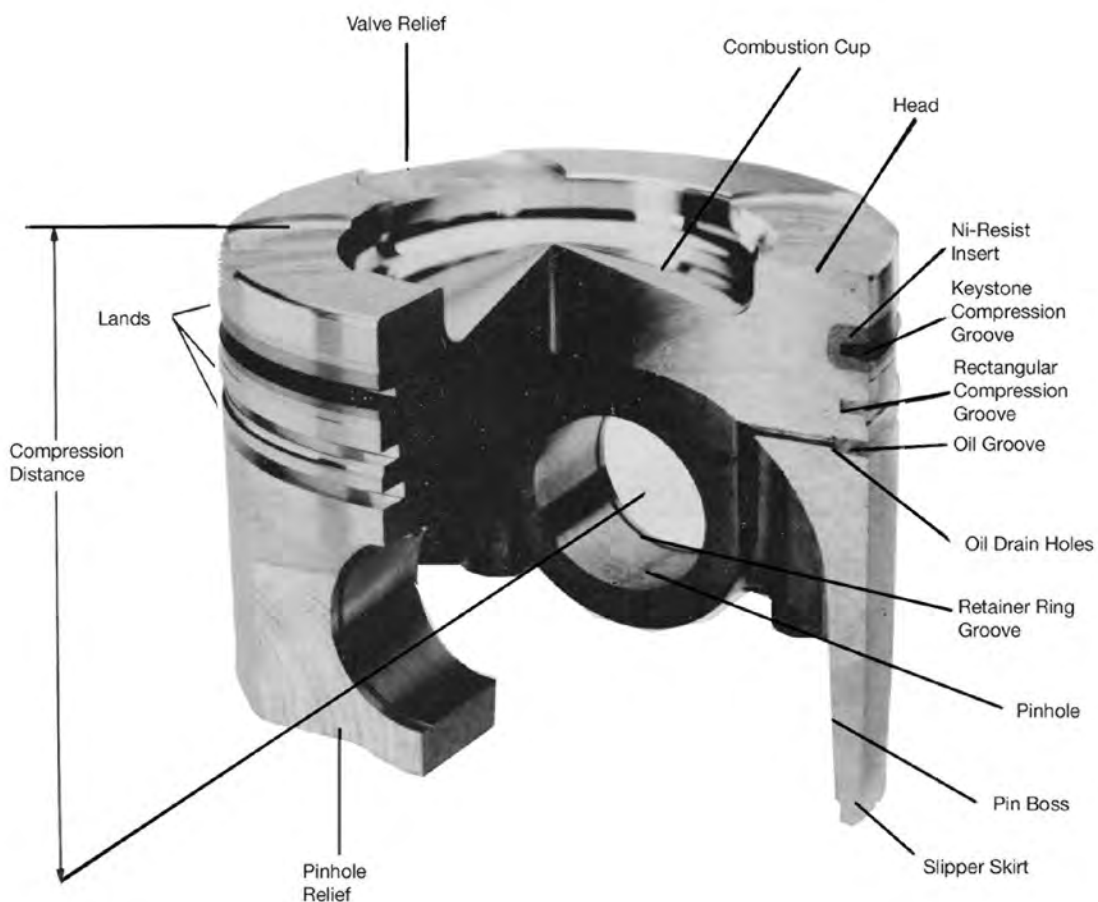


Dry Sleeve Nomenclature

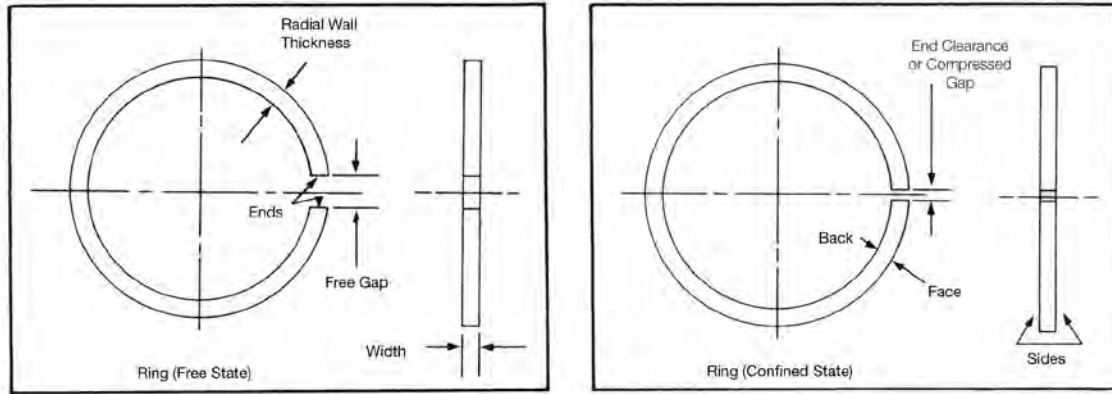
english



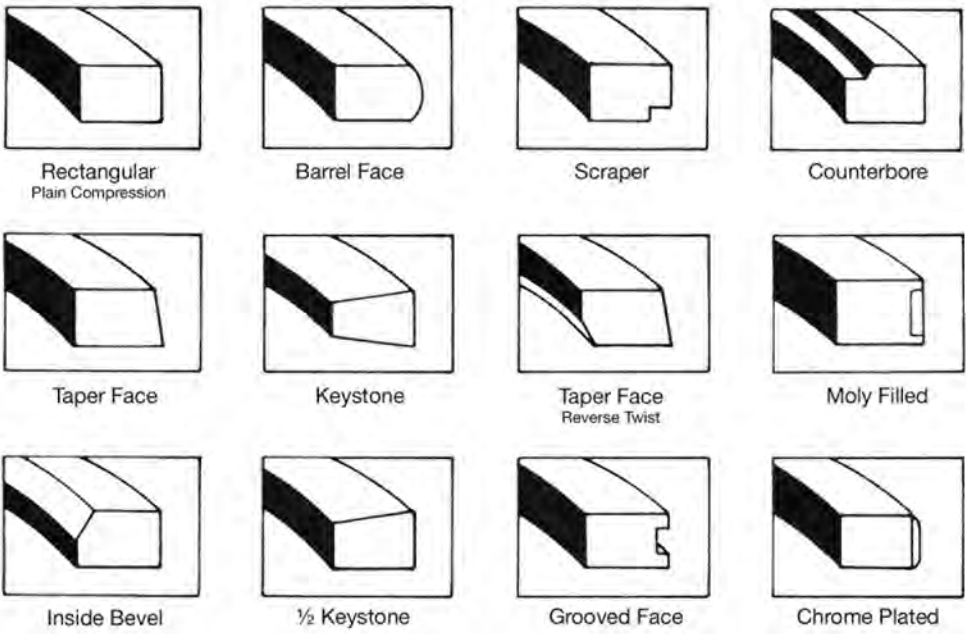
Piston Nomenclature



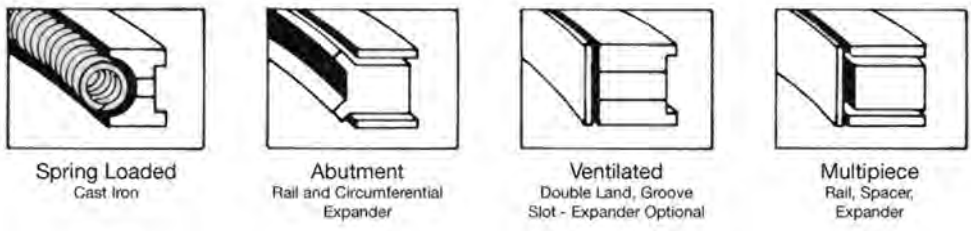
Piston Ring Styles



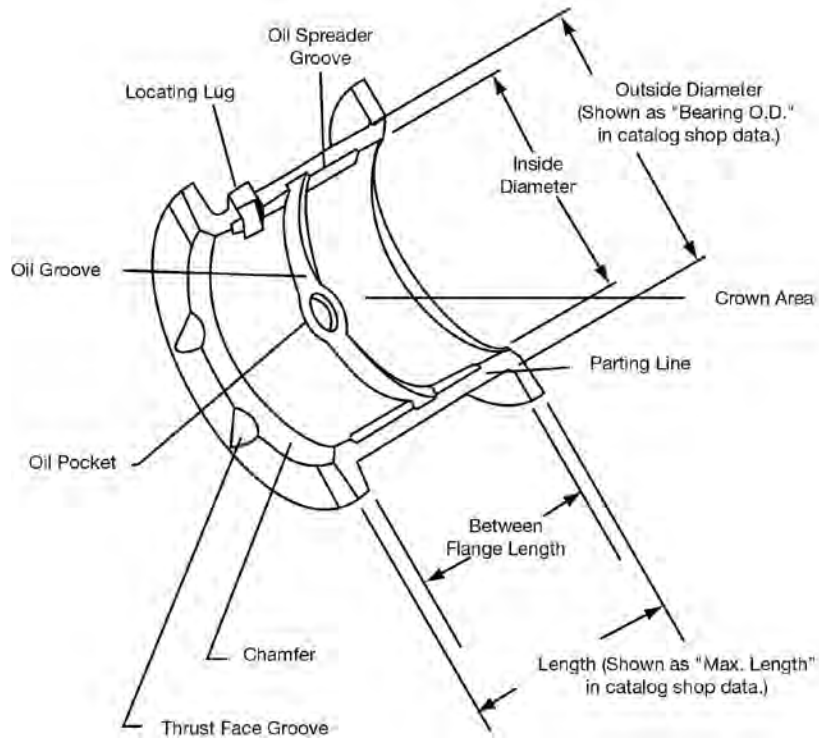
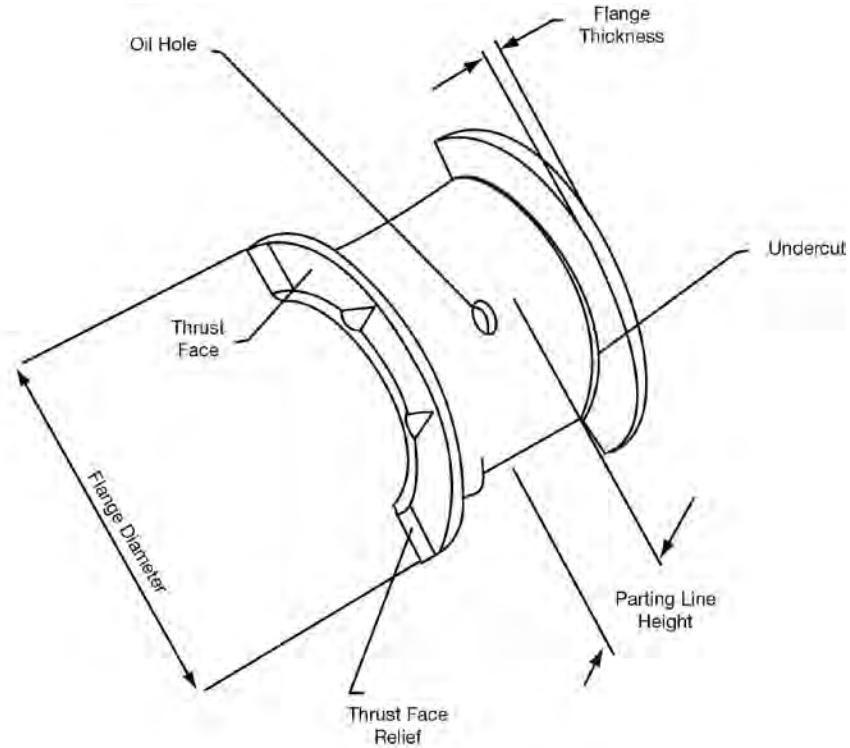
Compression Ring Styles



Oil Ring Styles



Bearing Nomenclature



Bearing Terminology

Bearing Outside Diameter Or Housing Bore

The minimum to maximum diameter of the hole in the engine block or the connecting rod.

Crush

When the bearing half is in its place in the housing bore, there is a slight bit of material that extends above the housing bore. When the assembly is torqued to proper specification, force is then exerting onto the OD of the bearing causing a press fit. Crush also aids in bore distortion, and heat transfer by increasing the surface contact with the bearing and the bore. Clevite Performance bearings have added crush for heat transfer and bearing retention. The amount of crush will vary depending on application.

Eccentricity

A gradual reduction in the bearing wall thickness starting at the crown and ending at approximately .380" from the parting lines.

Full Annular Grooved

Bearings having an oil groove cut from parting line to parting line in the internal surface of the half shell. When two grooved halves are joined, this creates a groove in the internal surface around the total circumference of the bearing.

Inside Diameter

The distance between the inner surfaces of the assembled bearing.

Main T/W Set

Main thrust washer set.

Maximum Bearing Length

The maximum length that the bearing may have (including the flange when it applies). The actual length is usually less than this value.

Maximum Wall At Crown

The maximum thickness of the bearing wall at 90° from the parting lines. The actual thickness is usually less than this value.

Standard Shaft Diameter

The minimum to maximum size of the standard main crankshaft journal, connecting rod journal or camshaft journal.

Vertical Oil Clearance

The difference between the assembled inside diameter of the bearing and the outside diameter of the shaft, measured at 90° from the bearing parting lines.

Gasket Set Terminology

Full Gasket Set

Includes all gaskets normally required for a total disassembly of the engine or complete out-of-frame overhaul, including standard front and rear seals.

In-frame Gasket Set

Includes all gaskets normally required to do an in-frame overhaul. This would include all the gaskets required to remove and replace all cylinder heads and pan gasket.

Head Gasket Set

Includes all gaskets normally required to remove and replace a cylinder head. Caution should be exercised in ordering head gasket sets as sets can be offered in single cylinder, multi-cylinder or complete engine sets. There are cases where multiple sets are required to service all cylinder heads on one engine. Selected head gasket sets are available with oversize head gaskets to compensate for machining of components.

Oil Pan Set

Includes all gaskets normally required to remove and replace the oil pan.

Cylinder Head Gasket

Includes single head gasket only and no supporting gaskets. These are available separately for popular applications. Selected head gaskets are available in oversize to compensate for machining of components.

Timing Cover Set

Includes all gaskets and standard seals normally required to access and service timing chains or gears. Selected sets also include crankshaft repair sleeves.

Manifold Gasket Set

Includes all gaskets normally required to remove and replace either intake or exhaust manifolds. Intake and exhaust sets are ordered separately and are available for popular applications.

Valve Cover and Push Rod Cover Set

Includes all gasket normally required to remove and replace either valve covers or push rods covers. Valve cover and push rod cover sets are ordered separately and are available for popular applications.

The numbers listed next to the headings below correspond to the part identification numbers listed on the following pages. These numbers will help to identify our part numbers, nomenclature, prefix and or suffix for common parts in our product line.

Engine

Series	Description
211-1000	Valves
212-1000	Valve Springs
213-1000	Valve Lifters
214-1000	Rocker Arm Parts
214-2000	Rocker Arms
215-4000	Push Rods
216-4000	Valve Spring Retainers
216-5000	Valve Locks
217-3000	Valve Guides
218-3000	Valve Seat Inserts
223-1000	Wrist Pins
223-3000	Piston Pin Bushings
223-5000	Lock Rings
223-7000	“O” Rings
223-8000	Shims, Insert Rings
224-1000	Pistons
224-1000X	Bare Pistons
224-1000WR	Pistons with Rings
225-1000	Rebore Kits
226-1000	Sleeve Assemblies
226-4000	Sleeves
226-4000X	Bare Sleeves
S40000	Single Cylinder Ring Set
40000	Ring Set
226-8000	Repair Sleeves
229-1000	Camshafts
230-3000	Rocker Arm Shafts
247-5000	Crankshafts
601-1000	Oil Pumps

Filters

OC	Spin-On Oil Filter
OX	Oil Filter Element
KC	Spin-On Fuel Filter
KX	Fuel Filter Element
WFX	Cooling Liquid Filter

Turbocharger Suffix

-000	Factory New
-100	Remanufactured to OE Standards

Thermostats

Series	Description
TX	Thermostat Inserts
THD	Sleeve Valve Thermostats

Gaskets

40000 & 60000	Rear Main/Timing Cover Seals
43-5999	Cylinder Head Gaskets (single)
B-	Valve Stem Seal
CH-	Cylinder Head Gaskets (multi)
CS-	Conversion Sets “Lower”
EK-	In-Frame Sets
FS-	Full Gasket Sets
HS-	Head Gasket Sets “Upper”
JV-	Rear Main or Timing Cover Sets
MS-	Intake or Exhaust Manifold Sets
OS-	Oil Pan Gasket Sets
PS-	Push Rod (Side) Cover Gasket Set
SS-	Front or Rear Main Seal (Includes Repair Sleeve)
VS-	Valve Cover Gasket Set

Bearings

223-3000	Piston Pin Bushings
CB-	Connecting Rod Bearing
MB-	Individual Main Bearing
MS-	Main Bearing Set
SH-	Cam Bearing
TW-	Thrust Washer

Bearing Suffix

A, AL	Aluminum Alloy or Seal Backed with an Aluminum Alloy Lining
-P	Steel Backed Intermediated Layer of TriMetal Copper-Lead Alloy with a .001” Electroplated Lead-Tin Overlay
-S	Indicates “Set”
-W	Thrust Washer WL-lower, WU-upper

Table des matières

Service technique	Page	16
Mode d'utilisation de ce catalogue	Page	17
Ensembles de chemises de cylindre	Page	18
Nécessaires de réalésage et composants de dispositifs de commande de soupapes	Page	19
Nomenclature – chemise humide	Page	20
Nomenclature – chemise sèche	Page	21
Nomenclature – piston	Page	22
Styles de segments de piston	Page	23
Nomenclature – paliers	Page	24
Terminologie relative aux paliers	Page	25
Ensembles de joints d'étanchéité	Page	26
Identification des numéros de pièce	Page	27
Caterpillar	Page	43
Cummins	Page	154
Detroit Diesel	Page	321
Mack	Page	389
MAN	Page	400
Mercedes-Benz	Page	402
Navistar	Page	442
Scania	Page	504
Volvo	Page	506
Correspondances	Page	527

Prière de noter : l'ensemble des noms, des symboles, des numéros et des descriptions des fabricants sont utilisés à titre de référence seulement, et ne laisse aucunement entendre qu'une pièce est le produit de l'un ou l'autre de ces fabricants. Toutes les informations contenues dans ce catalogue est basé sur les dernières données disponibles au moment de l'impression. Bien que grand soin a été prises pour assurer l'exactitude des données compilées dans le catalogue de esta , MAHLE décline toute responsabilité pour les erreurs ou omissions.

Pour joindre le service technique, veuillez composer le : 1-800-248-9606



**Heures : de 8 h 30 à 18 h HNE
(du lundi au vendredi)**

L'utilisation de paliers et de pièces de moteur Clevite®, et de joints d'étanchéité Victor Reinz® dans des avions ou d'autres types d'équipement spécialisé peut contrevenir aux lois et aux différentes réglementations municipales, provinciales ou fédérales.

Ces produits sont conçus uniquement pour les véhicules automobiles. Ces produits ne doivent en AUCUN cas être utilisés pour des applications autres que les véhicules automobiles, y compris, mais sans s'y limiter, des moteurs d'avion, du matériel médical, des instruments ou des réacteurs d'énergie atomique.

Les lois municipales, provinciales et fédérales restreignent le retrait, la mise hors de fonctionnement et, dans certains cas, la modification des dispositifs ou des systèmes antipollution installés en usine. L'État de Californie limite l'utilisation de pièces qui pourraient accroître les émissions polluantes des véhicules conçus pour circuler sur les voies

ou autoroutes publiques.

Il est strictement interdit de vendre — ou d'installer sur des véhicules dotés d'un système antipollution — certains composants antipollution non approuvés par le California Air Resources Board et qui modifient la conception ou la performance d'origine du système antipollution de ces véhicules. Certaines des pièces figurant dans ce catalogue peuvent être assujetties à de telles restrictions. Ces pièces sont destinées uniquement aux véhicules hors route utilisés dans des épreuves de compétition ou à d'autres types de véhicules non touchés par les lois en vigueur sur le contrôle des émissions. L'installation de ces pièces sur des véhicules assujettis aux lois sur le contrôle des émissions peut être interdite.

MAHLE Aftermarket recommande de prendre connaissance des lois en vigueur sur le contrôle des émissions avant de procéder à l'installation de pièces complémentaires ou modifiées.

Téflon et Viton sont des marques déposées de DuPont Corporation.

Mode d'utilisation de ce catalogue

Ce catalogue se divise en deux sections : les trousse de moteur et les blocs-moteurs.

Section des trousse de moteur: cette section est présentée par série; utiliser l'index de chaque section pour trouver la trousse de moteur désirée. Chaque bloc donne les renseignements pertinents suivants pour le numéro de trousse en question :

1. Détails de l'application et numéro de bloc
2. Produit et application notes
3. Numéro de trousse
4. Nomenclature

LINE #	NOTES	PART DESCRIPTION	OVERHAUL QTY	IN-FRAME QTY
3	4.016" 359 CID (5.9L) 6 Cyl 6B Series			3
3.1	Naturally Aspirated Engines	Kit Number	3 409-1006	409-5006
	OE Piston Number(s) 3802060	Rebore Kit	225-3526	6 225-3526
	OE Rod Bearing Number(s) 3901170	Oversizes	STD-020-030-040	STD-020-030-040
	OE Main Bearing Number(s) 3802070, 68002987AA	Connecting Rod Bearing	CB-1413P	6 CB-1413P
		Undersizes	P-25-50-75mm	P-25-50-75mm

Section des trousse de moteur: repérer le numéro de bloc correspondant au moyen de l'index des modèles situé au début de la section. Chaque bloc donne les renseignements pertinents suivants pour le numéro de trousse en question:

1. Détails de l'application et numéro de bloc
2. Modèles de moteur
3. Catégorie de produit
4. Description du produit
5. Notes sur le produit et les applications
6. Correspondances avec l'ÉO
7. Numéro de pièce
8. Commande Quantité

2	1 4.016" 180 CID (3.0L) Cyl. 3 Engine Codes: '3B, 3B2.9, 3BT, 3BT2.9'			2
		3 Cylinder Components		
Cylinder Sleeve	Repair Sleeve	3904166	6 226-4490	3
Ring Set	Keystone Top Compression Ring	3802040	S41517	3
		3806241	S41517.020	7
		3806242	S41517.040	8
		Bearings		
Connecting Rod	Machined Rod	3901170	CB-1413P	3

Ensembles de chemises de cylindre

Les ensembles de chemises de cylindre MAHLE Clevite comprennent les composants suivants : chemise de cylindre (humide et sèche), piston, axe de piston, anneaux de blocage, ensemble de segments de piston et bagues d'étanchéité de chemises.

Les composants en aluminium, en fer et en acier ultra robustes procurent la résistance structurelle et l'intégrité dimensionnelle voulues pour fournir une performance et une durée de vie égales à celles des composants d'équipement d'origine. Selon l'application, ces pièces sont dotées des caractéristiques conceptuelles contemporaines indiquées ci-dessous.

Pistons

1. Rainures supérieures en Ni-Résist afin de minimiser l'usure.
2. Équilibrage qui favorise un fonctionnement doux du moteur.

Axes de piston

1. En acier à haute résistance qui répond aux exigences structurelles afin de prévenir le bris ou la déflexion de l'axe.
2. Acier cémenté qui procure des surfaces d'usure de longue durée.

3. Un degré élevé de contrôle du fini dimensionnel et des surfaces sont les exigences ultimes pour obtenir robustesse et durabilité.

Segments de piston

1. Les plus récents matériaux à haute résistance sont utilisés afin de prévenir les bris causés par la fatigue du métal.
2. Le fini extérieur est plaqué chrome et molybdène pour former des surfaces d'usure d'une grande durabilité.
3. Les segments racleurs en acier chromé et nitruré favorisent un bon contrôle de l'huile.

Chemises

1. Le matériau des chemises est soigneusement fabriqué pour favoriser la plus grande durée de service et le plus petit degré d'usure possible.
2. Matériau thermotraité, s'il y a lieu.
3. Des coupe-feux et des nervures de joint de culasse sont compris afin d'optimiser la performance et la durabilité du joint.
4. Tous les diamètres externes sont soumis à une rectification quadrillée et plane afin d'optimiser la qualité et l'étanchéité des surfaces pour les segments de piston.

Bagues d'étanchéité de chemises

1. Des composés de pointe sont utilisés pour offrir une bonne résistance à la compression et au durcissement thermique, aux déchirures et aux fuites.
2. Les configurations circulaires, rectangulaires et carrées sont conçues pour répondre aux besoins des différents moteurs



Pour moteurs non chemisés

Les nécessaires de réalésage MAHLE Clevite comprennent les composants suivants : pistons, axes de piston, anneaux de blocage et segments de piston. Selon l'application, ces pièces sont dotées des caractéristiques conceptuelles contemporaines indiquées ci-dessous.

Pistons

1. Rainures supérieures en Ni-Résist afin de minimiser l'usure.
2. Équilibrage qui favorise un fonctionnement doux du moteur.

Axes de piston

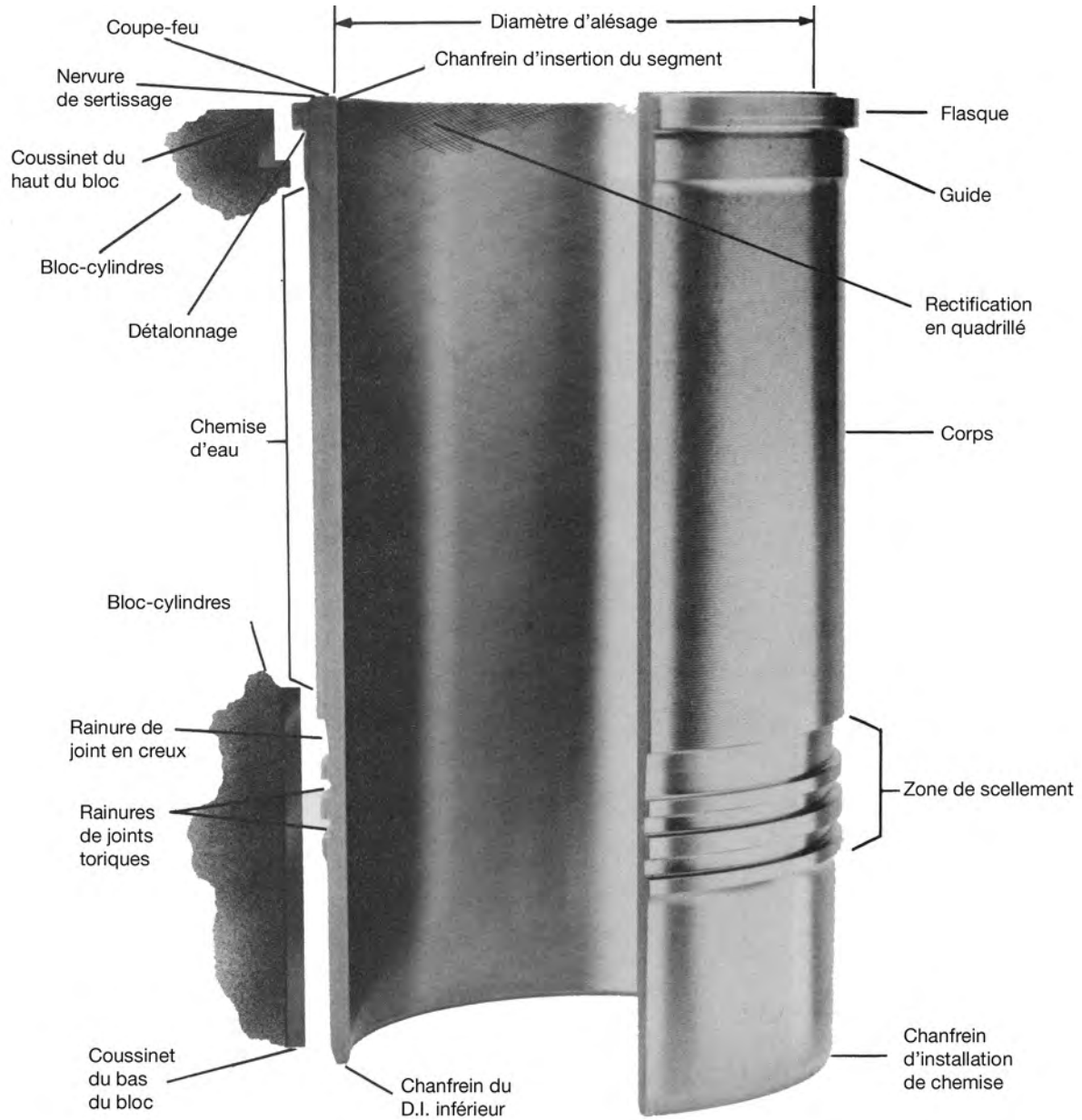
1. En acier à haute résistance qui répond aux exigences structurales afin de prévenir le bris ou la déflexion de l'axe.
2. Acier cémenté qui procure des surfaces d'usure de longue durée.
3. Un degré élevé de contrôle du fini dimensionnel et des surfaces sont les exigences ultimes pour obtenir robustesse et durabilité.

Segments de piston

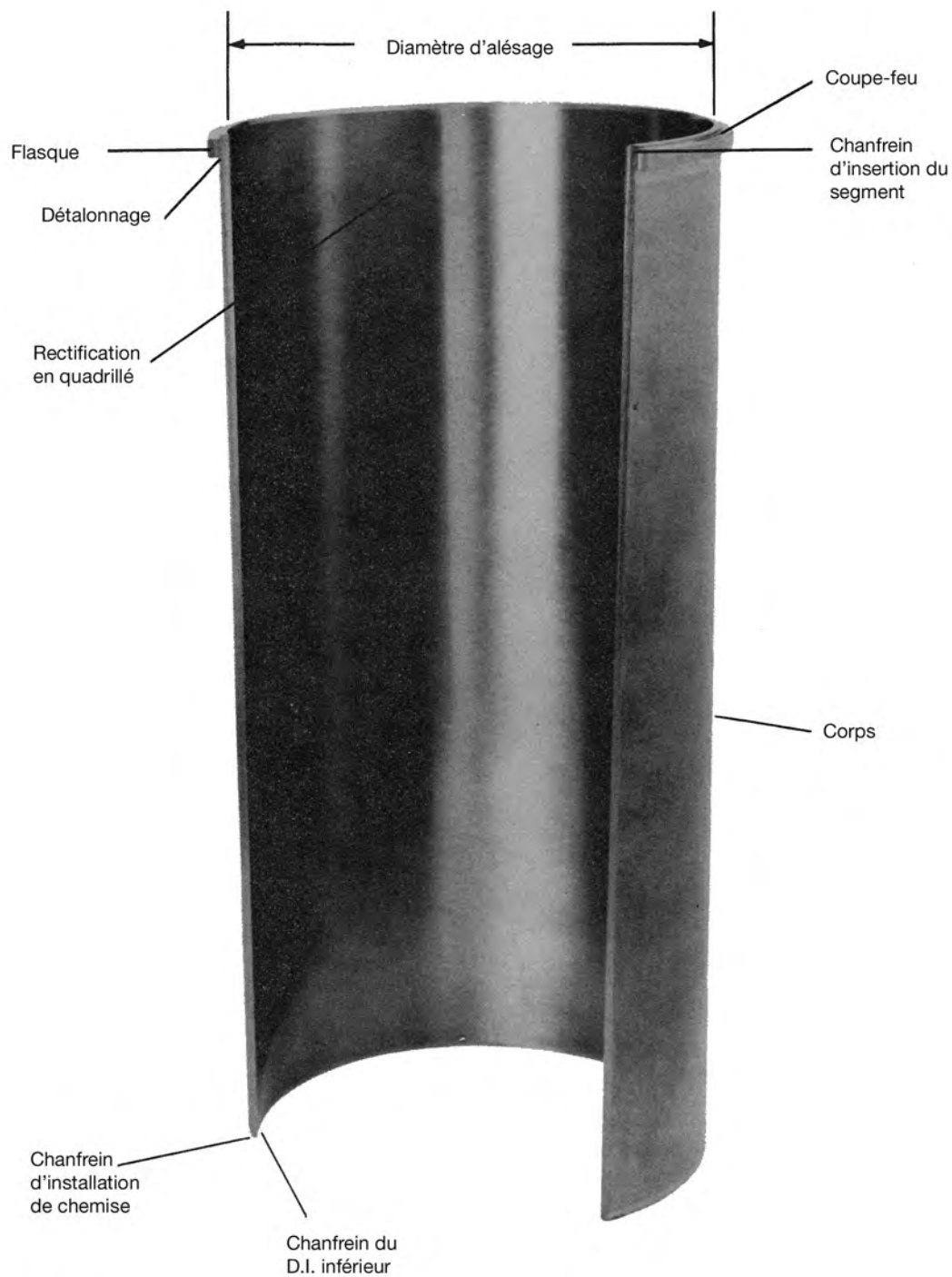
1. Les plus récents matériaux à haute résistance sont utilisés afin de prévenir les bris causés par la fatigue du métal.
2. Le fini extérieur est plaqué chrome et molybdène pour former des surfaces d'usure d'une grande durabilité.
3. Les segments racleurs en acier chromé et nitruré favorisent un bon contrôle de l'huile.



Nomenclature de la chemise humide

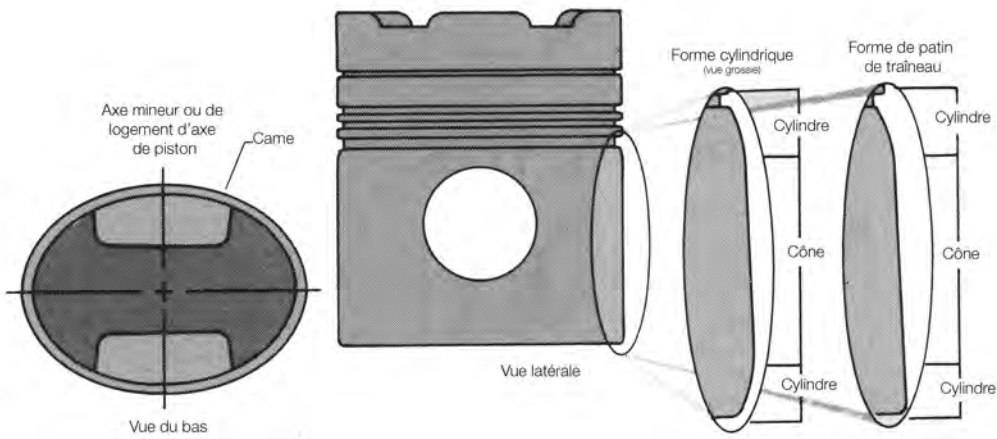
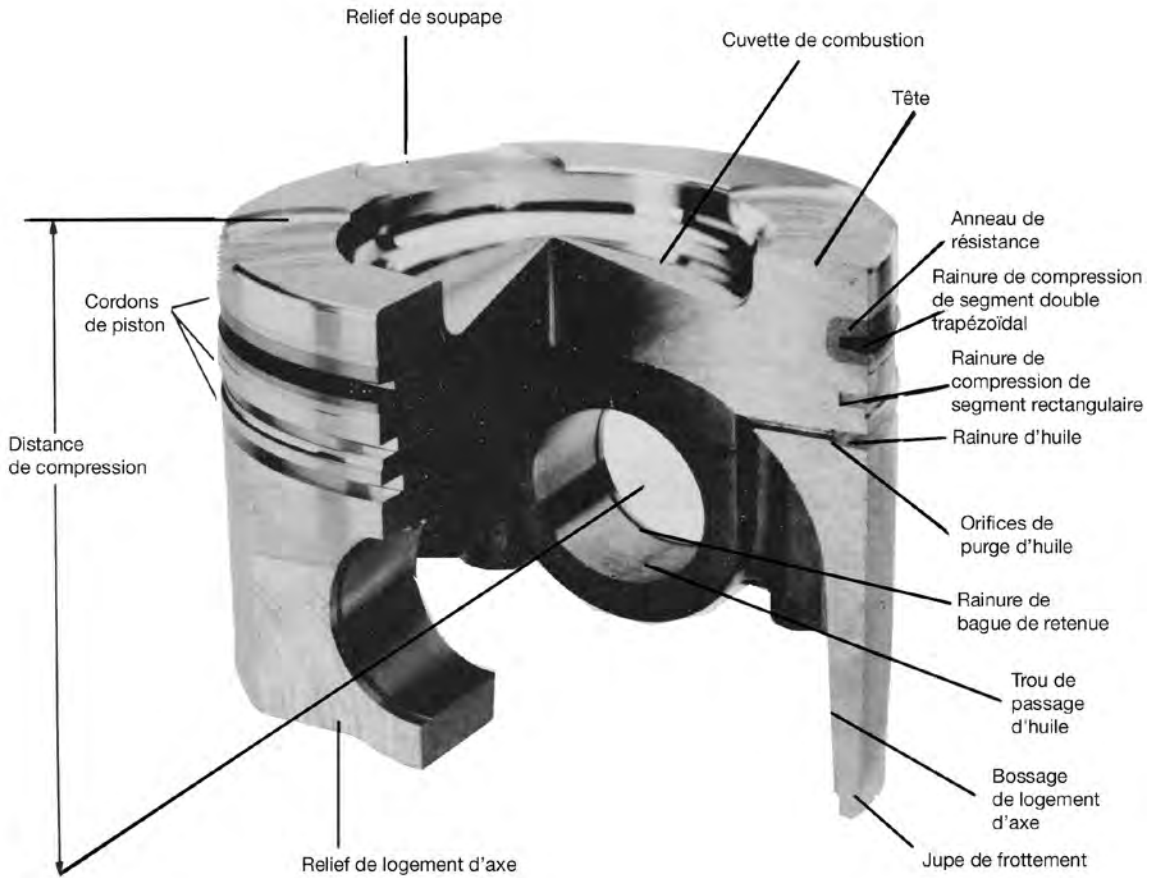


Nomenclature de la chemise sèche

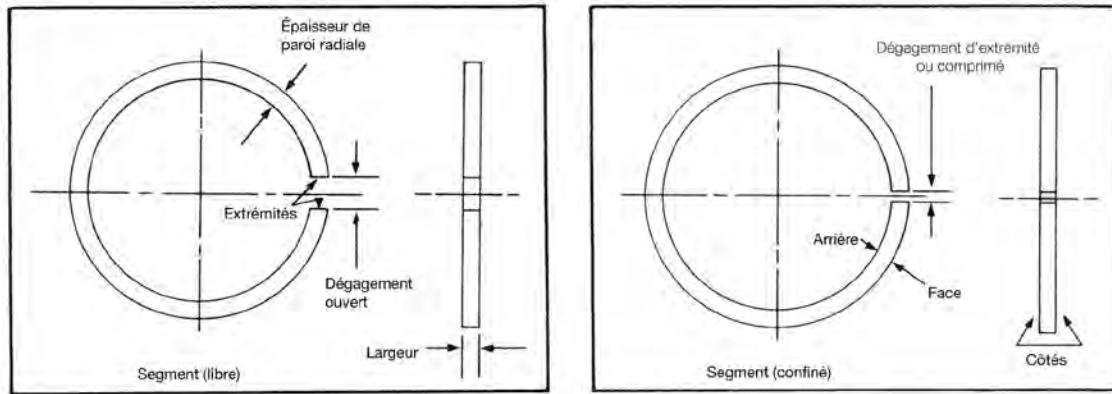


français

Nomenclature du piston

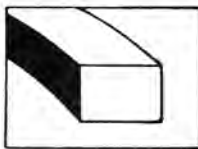


Styles de segments de piston

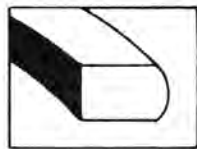


français

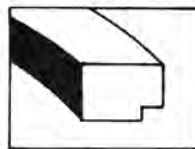
Styles de segments de piston



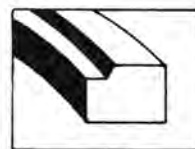
Rectangulaire
Compression ordinaire



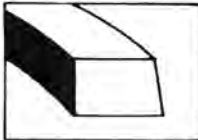
Face arrondie



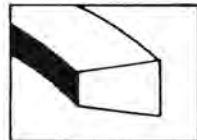
Racleur



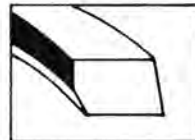
À épaulement intérieur



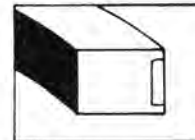
Face oblique



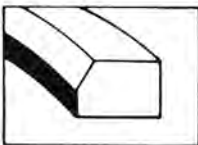
Double trapézoïdal



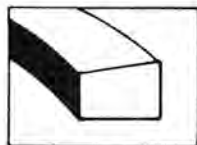
Face oblique
Diagonale inversée



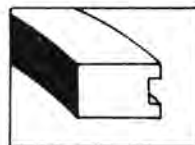
Avec molybdène



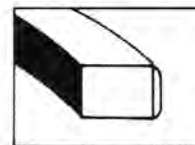
Biseau interne



Demi-trapézoïdal

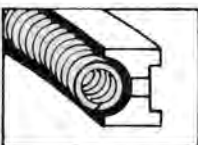


Demi-trapézoïdal

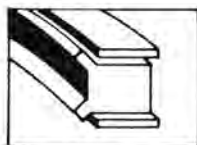


Plaqué chrome

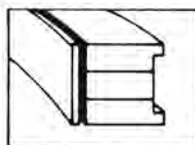
Styles de segments racleurs d'huile



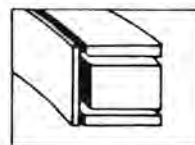
À ressort
En fonte



À butée
Rail et expanseur
circonférentiel

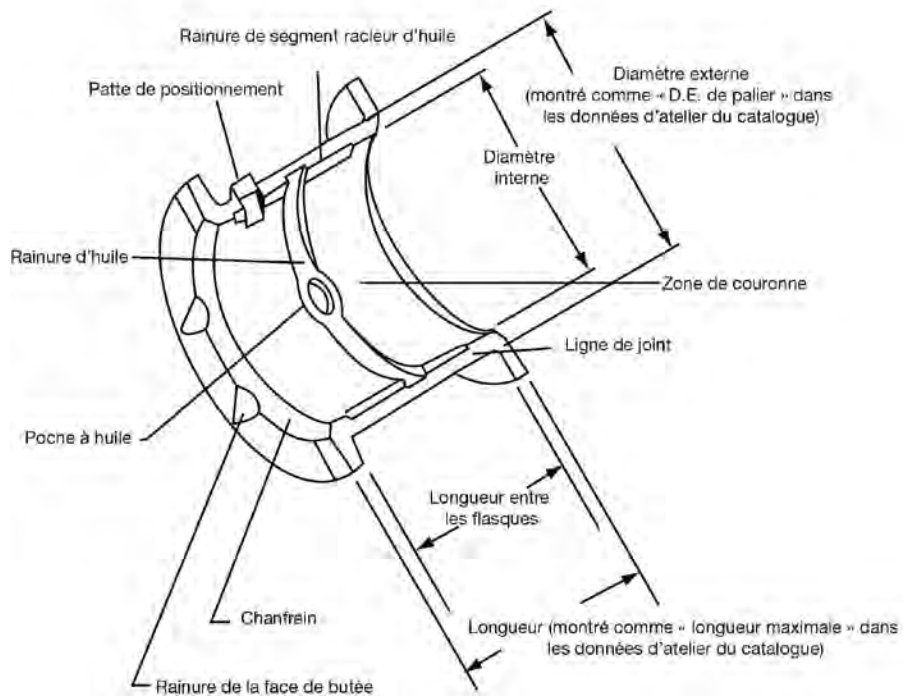
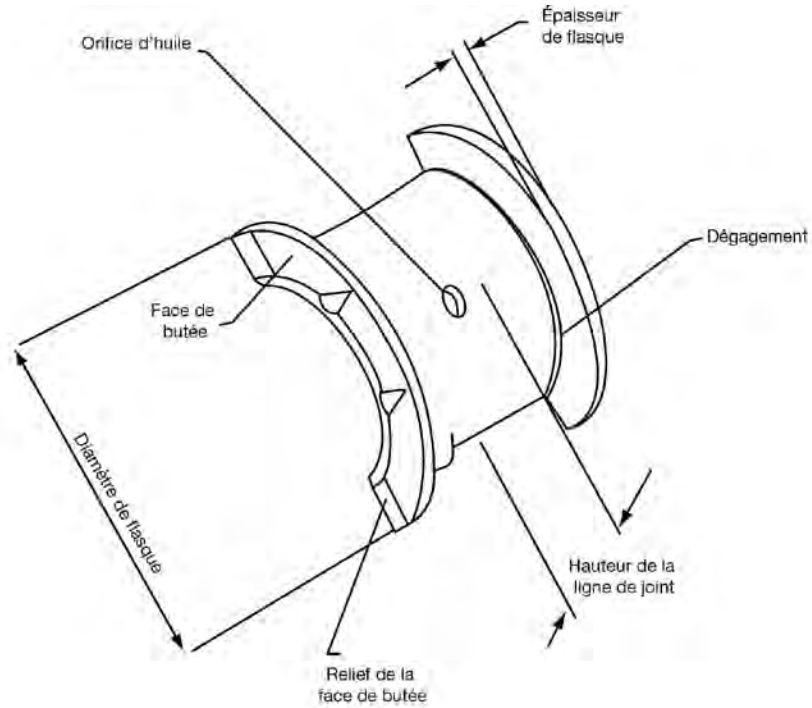


Ventilé
Double cordon, rainure -
expanseur optionnel



Multi pièce
Rail, espaceur,
expanseur

Nomenclature des paliers



Terminologie relative aux paliers

Diamètre externe de palier ou alésage de carter

Le diamètre minimal ou maximal de l'orifice pratiqué dans le bloc-moteur ou la bielle.

Tassement

Lorsque le palier est à moitié inséré à sa place dans l'alésage du carter, un peu du coussinet dépasse de l'alésage du carter. Une fois que l'assemblage est serré selon les spécifications recommandées, une pression s'exerce sur le D.E. du palier, entraînant l'effet d'une insertion à la presse. Le tassement contribue aussi à la distorsion de l'alésage ainsi qu'au transfert thermique en augmentant le contact de surface avec le palier et l'alésage. Les paliers de haute performance Clevite ont un tassement accru pour favoriser un meilleur transfert thermique et une bonne rétention. Le degré de tassement varie selon l'application.

Excentricité

Une réduction graduelle de l'épaisseur de la paroi d'un palier, de la couronne jusqu'à environ 0,380 po des lignes de joint.

Rainure annulaire pleine

Palier comportant une rainure d'huile pratiquée depuis sa ligne de joint jusqu'à la ligne de joint de la surface interne de la demi-coque. Lorsque les deux moitiés rainurées sont jointes, une rainure se crée dans la surface interne sur toute la circonférence du palier.

Diamètre interne

The distance between the inner surfaces of the assembled bearing.

Jeu A/B principal

Jeu d'anneaux de butée principal.

Longueur maximale du palier

La longueur maximale qu'un palier peut avoir (flasque comprise, le cas échéant). La longueur réelle est normalement moindre.

Diamètre d'arbre standard

Diamètre minimum à maximum d'un tourillon de vilebrequin principal standard, d'un tourillon de bielle ou d'une portée d'arbre à cames.

Jeu fonctionnel vertical

La différence, après assemblage, entre le diamètre interne du palier et le diamètre externe de l'arbre, mesuré à partir d'un angle de 90° des lignes de joint du palier.

Terminologie relative aux ensembles de joints d'étanchéité

Ensemble complet de joints d'étanchéité

Comprend tous les joints d'étanchéité normalement requis pour un démontage complet du moteur ou une révision complète au banc, y compris les bagues d'huile standards avant et arrière.

Ensemble de joints d'étanchéité pour révision sur le véhicule

Comprend tous les joints d'étanchéité normalement requis pour faire une révision complète directement sur le véhicule. Comprend tous les joints requis pour la dépose et le remplacement d'une culasse et de tous les cylindres, ainsi que le joint de carter

Ensemble de joints de culasse

Comprend tous les joints d'étanchéité requis pour la dépose et le remplacement d'une culasse. Au moment de commander des ensembles de joints de culasse, il faut faire attention, car les ensembles peuvent être offerts pour un seul cylindre, pour tous les cylindres ou pour un moteur complet. Il arrive parfois que plusieurs ensembles soient nécessaires pour réparer tous les cylindres d'une culasse sur un moteur. Certains ensembles de joints de culasse offerts comportent des joints surdimensionnés pour compenser l'usinage des composants.

Ensemble de joints de carter d'huile

Comprend tous les joints d'étanchéité requis pour la dépose et le remplacement d'un carter d'huile.

Joint de culasse

Comprend un seul joint de culasse, mais aucun joint auxiliaire. Ces derniers sont offerts séparément pour les applications populaires. Certains joints de culasse offerts sont surdimensionnés pour compenser l'usinage des composants.

Ensemble pour carter de distribution

Comprend tous les joints et bagues d'étanchéité standard normalement requis pour accéder aux chaînes de distribution ou aux engrenages et pour les réparer. Certains ensembles comportent aussi des manchons pour la réparation du vilebrequin.

Ensemble de joints de tubulure

Comprend tous les joints d'étanchéité normalement requis pour la dépose et le remplacement d'une tubulure d'admission ou d'échappement. Les ensembles pour tubulure d'admission et pour tubulure d'échappement doivent être commandés séparément et sont offerts pour les applications populaires.

Ensemble pour couvercles de soupapes et couvercles de tiges de culbuteurs

Comprend tous les joints d'étanchéité normalement requis pour la dépose et le remplacement des couvercles de soupapes ou de tiges de culbuteurs. Les ensembles pour couvercles de soupape et les ensembles pour couvercles de tiges de culbuteurs doivent être commandés séparément et sont offerts pour les applications populaires.

Les numéros figurant sous les rubriques ci-dessous correspondent aux numéros d'identification des pièces figurant dans les pages suivantes. Ces numéros vous aident à trouver nos numéros de pièce, la nomenclature, le préfixe ou le suffixe des pièces courantes de notre ligne de produits

Engine

Série	Description
211-1000 Soupapes
212-1000 Ressorts de soupape
213-1000 Pousoirs de soupape
214-1000 Pièces de culbuteur
214-2000 Culbuteurs
215-4000 Tiges de culbuteur
216-4000 Dispositifs de retenue de ressorts de soupape
216-5000 Clavettes de soupape
217-3000 Guide-soupapes
218-3000 Sièges de soupape rapportés
223-1000 Axes de piston
223-3000 Coussinets d'axes de piston
223-5000 Bagues de blocage
223-7000 Joints toriques
223-8000 Cales, bagues rapportées
224-1000 Pistons
224-1000X Pistons (seul)
224-1000WR Pistons avec segments
225-1000 Trousse à réalésier
226-1000 Assemblages de chemise
226-4000 Chemises
226-4000X Machons de Cylindre
S40000 Segments piston simple
40000 Trousse de segment
226-8000 Chemises de rechange
229-1000 Arbres à cames
230-3000 Axes de culbuteurs
247-5000 Vilebrequins
601-1000 Pompe à Huile

Filtres

OC Filtre à Huile type Spin-on
OX Filtre à Huile type Élément
KC Filtre à essence type Spin-on
KX Filtre à essence type Élément
WFX Filtre à liquide de refroidissement

Suffixe – turbocompresseurs

-000 Pièce neuve
-100 Pièce réusinée selon les normes de l'ÉO

Thermostats

Série	Description
TX Thermostat à inserations
THD Valve thermostat type Machons

Joints d'étanchéité

40000 & 60000	Joints principaux arrière/de carter de distribution
43-5999 Joints de culasse (simple)
B- Joints pour soupapes
CH- Joints de culasse (multiple)
CS- Ensemble pour conversion « inférieure »
EK- Ensemble pour révision au banc
FS- Ensembles complets de joints d'étanchéité
HS- Ensemble de joints de culasse « supérieurs »
JV- Ensemble de joints principaux arrière ou pour carter de distribution
MS- Ensemble pour tubulure d'admission ou d'échappement
OS- Ensemble de joints d'étanchéité de carter d'huile
PS- Ensemble de joints d'étanchéité de couvre-tiges de culbuteurs (latérales)
SS- Joint principal avant ou arrière (avec chemise de rechange)
VS- Ensemble de joints de couvercle de culasse

Paliers

223-3000 Coussinets d'axes de piston
CB- Palier de bielle
MB- Palier de vilebrequin individuel
MS- Ensemble de paliers de vilebrequin
SH- Palier de came
TW- Anneau de butée

Suffixes des paliers

A, AL Alliage d'aluminium ou joint renforcé d'une garniture en alliage d'aluminium
-P Couche intermédiaire trimétal en alliage de cuproplomb avec renfort d'acier et doublage électroplaqué en plomb étamé de 0,001 po
-S Indique un « ensemble »
-W Anneau de butée — WL-inférieure, WU-supérieure

Tabla de Contenido

Servicio Técnico	Pag.	30
Como utilizar este catálogo	Pag.	31
Ensamblés	Pag.	32
Pistones con anillos y componentes del tren valvular	Pag.	33
Nomenclaturas - camisas húmedas	Pag.	34
Nomenclaturas - camisas secas	Pag.	35
Nomenclaturas - pistones	Pag.	36
Tipos de anillos para pistón	Pag.	37
Nomenclatura - cojinetes	Pag.	38
Terminología de cojinetes	Pag.	39
Juegos de juntas	Pag.	40
Identificación de números de parte	Pag.	41
Caterpillar	Pag.	43
Cummins	Pag.	154
Detroit Diesel	Pag.	321
Mack	Pag.	389
MAN	Pag.	400
Mercedes-Benz	Pag.	402
Navistar	Pag.	442
Scania	Pag.	504
Volvo	Pag.	506
Intercambios EO	Pag.	527

NOTA IMPORTANTE: Todos los nombres de fabricantes, símbolos, logotipos, números y descripciones son utilizados para propósitos de referencia únicamente y no implica que se traten de los componentes de los mismos fabricantes. Toda la información contenida en este catálogo está basado en los últimos datos disponibles en el momento de la impresión. Aunque gran cuidado se ha tomado para garantizar la exactitud de los datos recogidos en este catálogo, MAHLE no asume responsabilidad por errores u omisiones.

Para asistencia técnica marque:
01-800-38-MAHLE (62453)
contacto.aftermarket@mx.mahle.com



**Horario: 8:00 am - 5:30 pm hora central
(Lunes - Viernes)**

El uso de productos Clevite y Victor Reinz en aeronaves u otro tipo de equipo especial, puede ser una violación de leyes locales, estatales o de la Agencia Federal de Regulaciones.

Estos productos están destinados exclusivamente para aplicaciones automotrices. Bajo ninguna circunstancia deben utilizarse en aplicaciones que no sean automotrices, incluyendo sin limitaciones a motores de aeronaves, equipos médicos, aparatos de energía atómica y reactores.

Leyes federales, estatales y locales restringen el retiro, hacer inoperante o en algunos casos la modificación de los dispositivos o sistemas de emisiones de fábrica. El estado de California restringe el uso de componentes que puedan incrementar emisiones en las unidades utilizadas en calles o carreteras publicas, además de la venta o instalación de ciertos componentes

no aprobados por el "California Air Resources Board," los cuales alteran o modifican el diseño original del sistema de control de emisiones. Algunos de los componentes indicados y ofertados para venta en este catálogo pueden encontrarse dentro de las restricciones antes descritas. Tales componentes están destinados a utilizarse en vehículos todo terreno (off-road) que participan en diferentes competencias o en otro tipo de vehículos que están exentos de las leyes aplicables para el control de emisiones. La instalación de estos componentes en vehículos sujetos a dichas leyes pueden estar prohibidos.

MAHLE Aftermarket recomienda revisar las leyes aplicables para el control de emisiones antes de considerar la instalación de este tipo de componentes o partes modificadas.

Teflon y Viton son marcas registradas de DuPont Corporation.

Como utilizar este catálogo

Este catálogo esta dividido en dos secciones: kits para motor y bloques de motor.

Sección de kits: desgloce por serie; utilice el indice en cada sección para encontrar el kit deseado

Cada bloque tiene la siguiente información correspondiente a ese número de kit:

1. Número de bloque y detalles de la aplicación para el motor
2. Notas de aplicación y del producto
3. Número de kit
4. Listado de materiales

LINE #	NOTES	PART DESCRIPTION	OVERHAUL	QTY	IN-FRAME	QTY
3	4.016" 359 CID (5.9L) 6 Cyl 6B Series					3
3.1	Naturally Aspirated Engines	Kit Number	3 409-1006		409-5006	
	OE Piston Number(s) 3802060	Rebore Kit	225-3526	6	225-3526	6
	OE Rod Bearing Number(s) 3901170	Oversizes	STD-020-030-040		STD-020-030-040	
	OE Main Bearing Number(s) 3802070, 68002987AA	Connecting Rod Bearing	CB-1413P	6	CB-1413P	6
		Undersizes	P-25-50-75mm		P-25-50-75mm	4

Sección de bloques: localice el número de bloque correspondiente a través del índice de modelos en la parte delantera de la sección

Cada bloque tiene la siguiente información correspondiente al número de parte:

1. Número de bloque y detalles de la aplicación para el motor
2. Modelos de motor
3. Categoría de productos
4. Descripción de productos
5. Notas de productos y aplicaciones
6. Intercambios con equipo original
7. Número de parte
8. Cantidad a ordenar

2	1 4.016" 180 CID (3.0L) Cyl. 3 Engine Codes: '3B, 3B2.9, 3BT, 3BT2.9'					2
		3 Cylinder Components				
	Cylinder Sleeve	Repair Sleeve	3904166	6	226-4490	3
	Ring Set	Keystone Top Compression Ring	3802040		S41517	3
			3806241		S41517.020	7
			3806242		S41517.040	8
		Bearings				
	Connecting Rod	Machined Rod	3901170		CB-1413P	3

Ensamblés

Los ensamblés MAHLE incluyen los siguientes componentes: camisa (húmeda o seca), pistón, perno del pistón, seguros, juego de anillos para pistón y sellos o ligas.

Los componentes para equipo pesado de aluminio, hierro y acero, proporcionan la fuerza estructural y la integridad dimensional para dar un rendimiento y vida útil equivalente al de equipo original. Dependiendo de la aplicación, las características de diseño y ventajas incluidas se enlistan a continuación.

Pistones

1. Ranuras superiores con tecnología Ni-resist para controlar el desgaste de la misma.
2. Balanceados para una suave operación del motor.

Pernos para Pistón

1. Aceros de alta resistencia que cumplen con los requisitos estructurales que evitan su fractura o deformación.
2. Cuerpo endurecido que proporciona una superficie resistente al desgaste.

3. Un alto grado de control dimensional y un acabado final son los requisitos para dar fuerza y una larga vida útil.

Anillos para Pistón

1. Una nueva tecnología y materiales de alta resistencia que evitan una fractura por fatiga.
2. Superficies de contacto recubiertas con molibdeno o cromo que proporcionan superficies de larga duración.
3. Anillos de acero con cromo y nitrurados ofrecen un excelente control de aceite.

Camisas

1. Materiales cuidadosamente fabricados para dar la mayor vida útil posible con un mínimo desgaste.
2. Tratamientos térmicos cuando sean necesarios.
3. Todas las cavidades para los sellos o ligas son consideradas para un adecuado sellado, larga vida útil y gran rendimiento.
4. El terminado interno (bruñido) provee una superficie adecuada para el sellado de los anillos para pistón.



Sellos o ligas

1. Los compuestos seleccionados dan una excelente resistencia a la compresión, temperatura, además de evitar fugas.
2. Diseño redondo, rectangular o cuadrado que satisfacen las necesidades específicas de los motores.

Para Motores no Encamisados

Los kits de reparación MAHLE incluyen los siguientes componentes: pistones, anillos para pistón, seguros y pernos. Dependiendo de la aplicación, las características de diseño y ventajas incluidas se enlistan a continuación.

Pistones

1. Ranuras superiores con tecnología Ni-resist para controlar el desgaste de la misma.
2. Balanceados para una suave operación del motor.

Pernos para Pistón

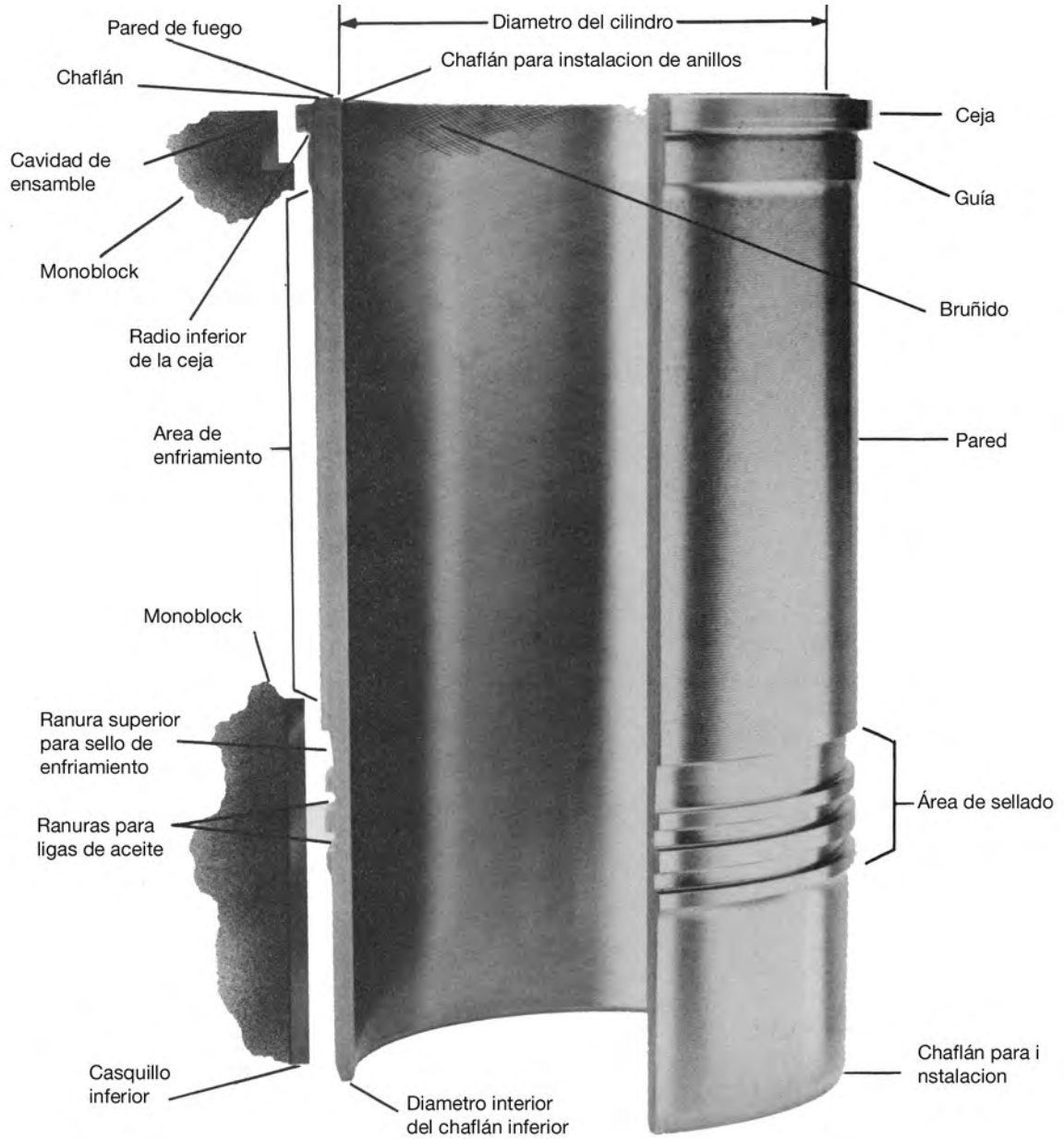
1. Aceros de alta resistencia que cumplen con los requisitos estructurales que evitan su fractura o deformación.
2. Cuerpo endurecido que proporciona una superficie resistente al desgaste.
3. Un alto grado de control dimensional y un acabado final son los requisitos para dar fuerza y una larga vida útil.

Anillos para Pistón

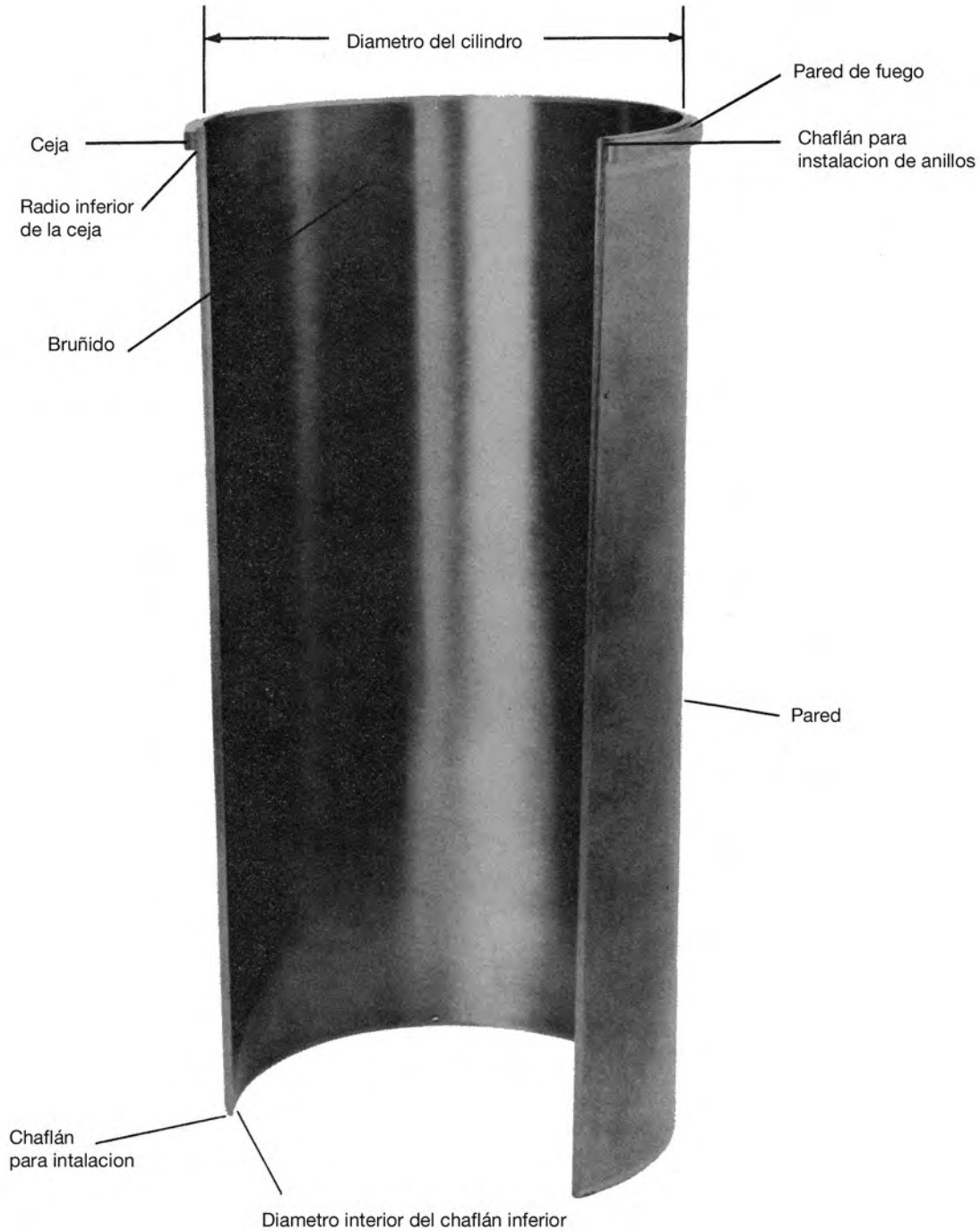
1. Una nueva tecnología y materiales de alta resistencia que evitan una fractura por fatiga.
2. Superficies de contacto recubiertas con molibdeno o cromo que proporcionan superficies de larga duración.
3. Anillos de acero con cromo y nitrurados que ofrecen un excelente control de aceite.



Nomenclatura camisas húmedas

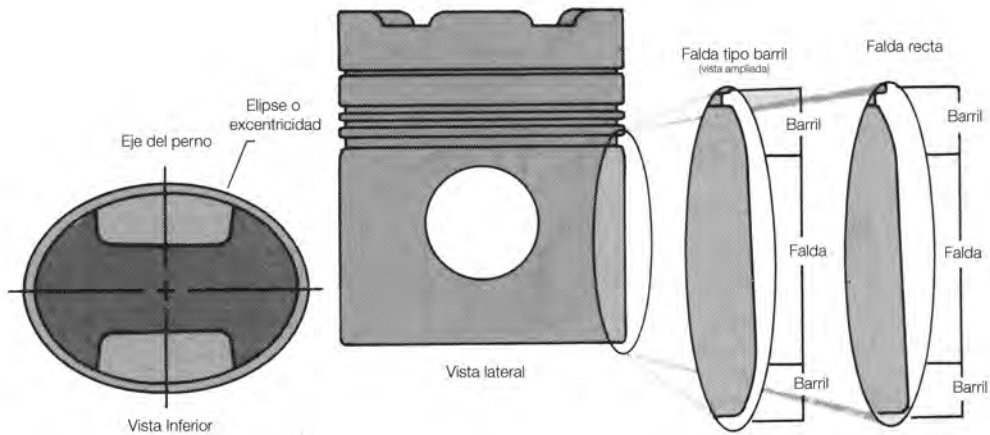
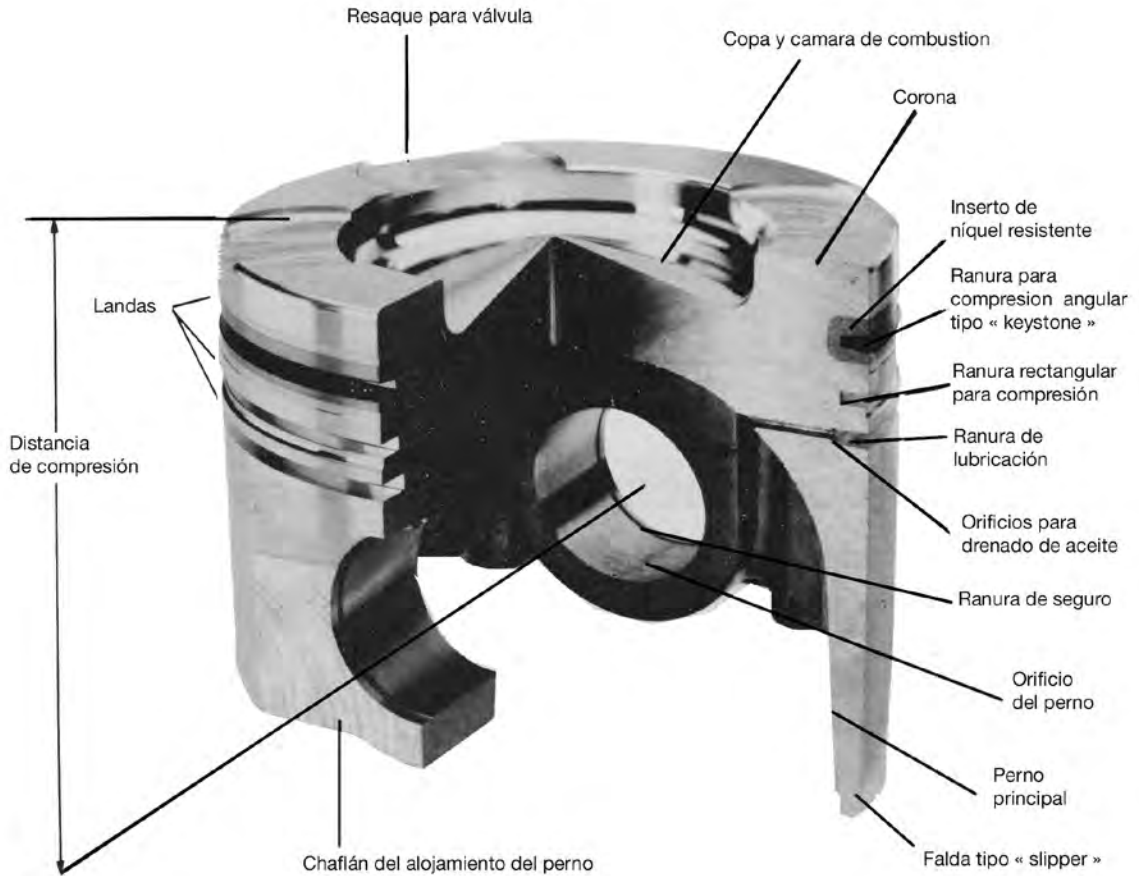


Nomenclatura camisas secas

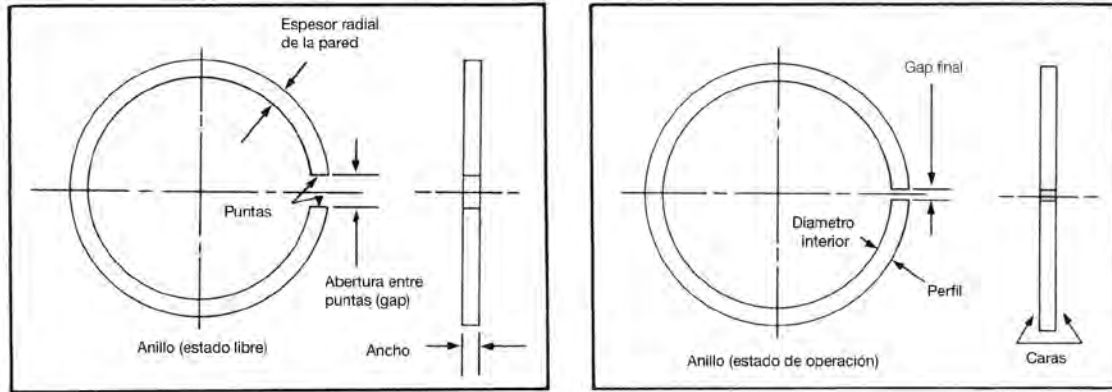


español

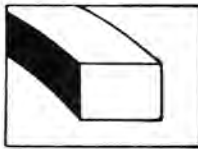
Nomenclatura Pistones



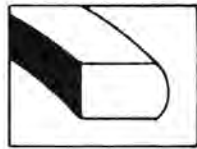
Tipos de Anillos para Pistón



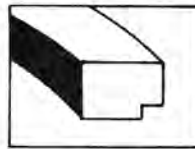
Tipos de Anillos para Compresión



Rectangular
Compresión plana



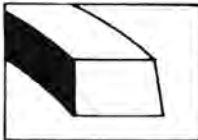
Perfil tipo barril



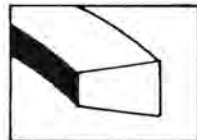
Perfil tipo rascador



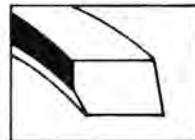
Con ranura interior superior



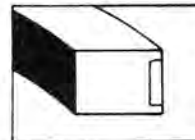
Perfil angular



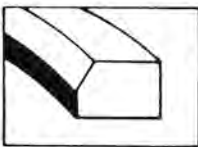
Tipo trapezoidal
« keystone »



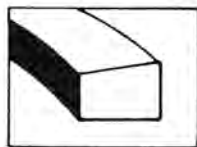
Perfil angular
Bisel opuesto



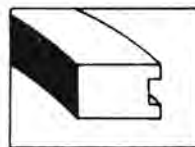
Con recubrimiento de molibdeno



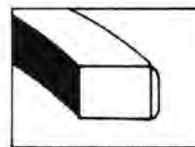
Perfil angular con bisel



Semi trapezoidal
« keystone »

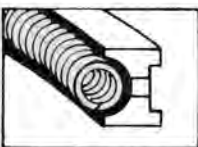


Perfil ranurado

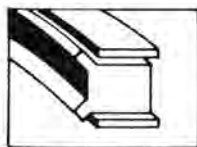


Con recubrimiento de cromo

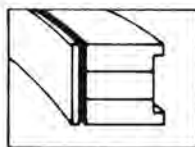
Tipos de Anillos para Control de Aceite



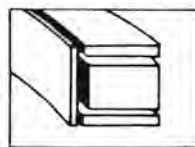
Resorte de carga de hierro fundido



Tipo pilar
Riel y expansor circunferencial

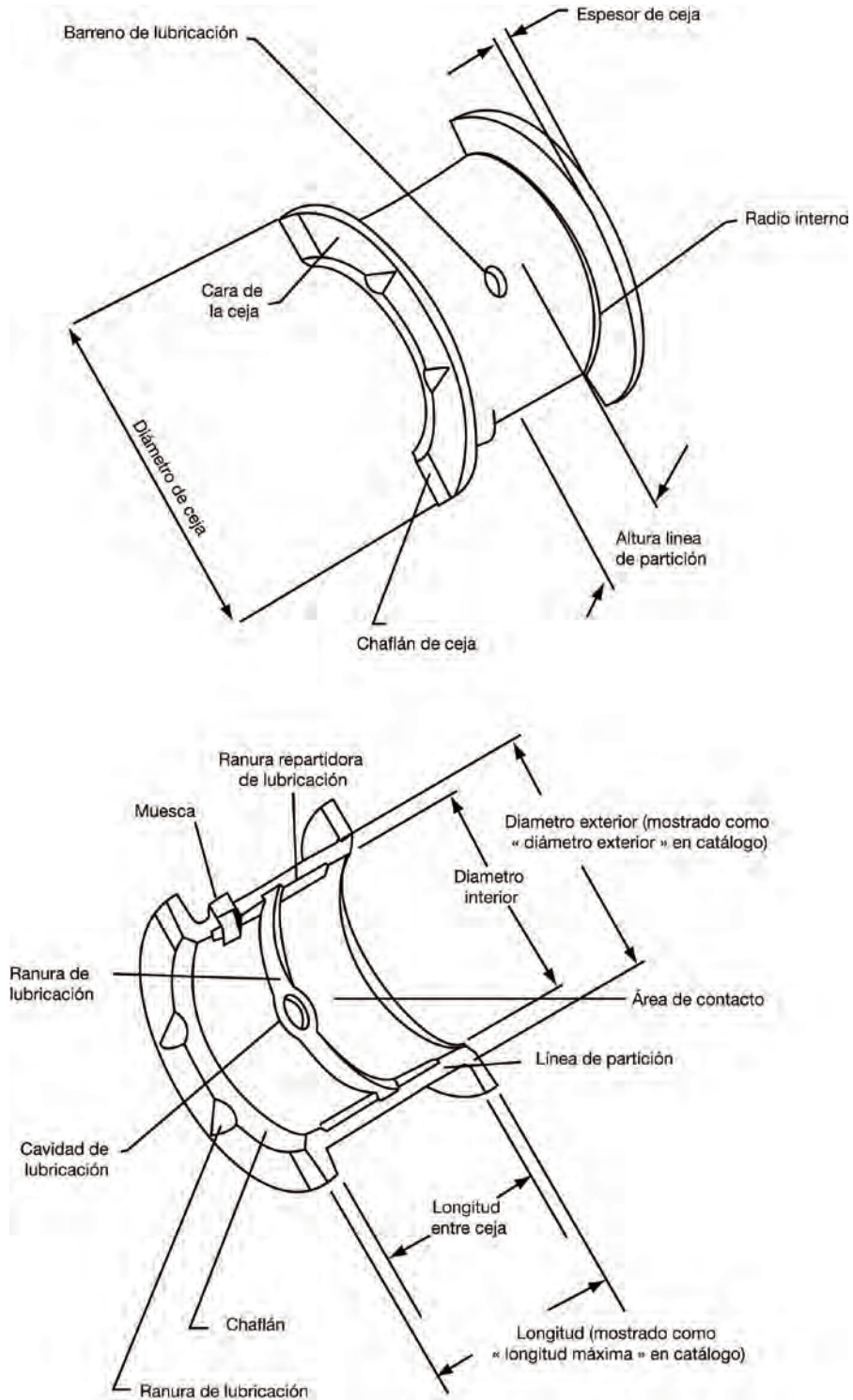


Tipo ventilado
doble ranura – expansor opcional



Piezas múltiples
Riel, espaciador, expansor

Nomenclatura Cojinetes



Terminología de Cojinetes

Diámetro Exterior o del Alojamiento

Indica el diámetro mínimo o máximo del alojamiento en el block o la biela.

Resaque (Crush)

Cuando el cojinete es colocado en su alojamiento, existe una pequeña saliente en la parte superior. Cuando se realiza la operación de torque a las especificaciones correctas, se ejerce una fuerza interior que origina una presión hacia el diámetro exterior, lo que ajusta al cojinete adecuadamente en su alojamiento. Este resaque o crush, también ayuda en la transferencia y disipación de temperatura, ya que se incrementa la superficie de contacto entre el cojinete y su alojamiento. Los cojinetes de alto rendimiento de Clevite cuentan con las mejores características para una mejor retención y disipación de temperatura. El resaque o crush podrá variar y dependerá de cada aplicación.

Excentricidad

Una reducción gradual en el espesor del material de fricción del cojinete que inicia justo a la mitad y termina aproximadamente a .380" de las líneas de partición.

Ranura de Lubricación

Los cojinetes cuentan con una ranura de lubricación al centro del material de fricción. Cuando las dos ranuras de unen, se crea una ranura interna de lubricación en toda la circunferencia del cojinete.

Diámetro Interno

Es la distancia entre la superficie interna del material de fricción del cojinete instalado.

Juego de Arandelas de Empuje

Juego principal de arandelas de empuje.

Longitud Máxima del Cojinete

Es la longitud máxima que el cojinete debe tener (incluyendo la ceja cuando aplique). La longitud real es generalmente menor a su valor.

Espesor Máximo de Pared

El espesor máximo del cojinete se encuentra a 90° de las líneas de partición. El espesor real es generalmente menor a su valor.

Diámetro Estándar del Muñon del Cigüeñal

Se refiere a la medida estándar mínima o máxima, de los muñones principales o de biela del propio cigüeñal o los muñones del árbol de levas.

Tolerancia de Lubricación

Es la diferencia entre el diámetro interior del ensamble de los cojinetes y el diámetro exterior del muñon del cigüeñal, medido a 90° de las líneas de partición (utilice plastigage).

Terminología Juegos de Juntas

Juego de Juntas Completo

Incluye todas las juntas necesarias para una reparación completa, incluye los retenes frontal y trasero.

Medio Juego de Juntas

Incluye todas las juntas necesarias para hacer una media reparación. Esto incluye todas las juntas para remover la cabeza de cilindros y el cárter.

Juego de Juntas para Cabeza

Incluye todas las juntas necesarias para remover e instalar la cabeza de cilindros. Debe de tenerse la precaución al solicitar el producto ya que suelen ofrecerse juegos para un solo cilindro, todos los cilindros o juegos completos de motor. Existen casos en los que se requerirán varios juegos para todas las cabezas de cilindros en un motor. Algunas juntas para cabeza están disponibles en diferentes sobre medidas con el fin de compensar el maquinado de componentes.

Juego de Juntas para Cárter

Incluye todas las juntas necesarias para remover e instalar el cárter.

Junta de Cabeza

Incluye solamente una sola junta. Están disponibles de forma separada para diferentes aplicaciones populares. Algunas juntas para cabeza están disponibles en diferentes sobre medidas con el fin de compensar el maquinado de componentes.

Juego de Juntas para Tapa de Distribución

Incluye todas las juntas y retenes que normalmente se requieren para dar servicio al sistema de distribución. Algunos juegos pueden incluir una camisa de reparación para el cigüeñal.

Juego de Juntas para Múltiples

Incluye todas las juntas necesarias para desmontar e instalar los múltiples de admisión o escape. Los juegos de admisión y escape deben ser ordenados de forma independiente y están disponibles para diferentes aplicaciones populares.

Juego de Juntas para Tapa de Punterías o Tapa de Varillas de Empuje

Incluye todas las juntas necesarias para desmontar e instalar las tapas de punterías o varillas de empuje. Estos juegos deben ser ordenados de forma independiente y están disponibles para diferentes aplicaciones populares.

Los números que aparecen a continuación con sus títulos, corresponden al número de referencia o identificación que figuran en las páginas siguientes. Éstos ayudan a identificar nuestros números de parte, nomenclatura, prefijo o sufijo y para los componentes comunes de nuestra línea de productos.

Motor

Serie	Descripción
211-1000	Válvulas
212-1000	Resorte para Válvula
213-1000	Punterías
214-1000	Componentes para Balancines
214-2000	Balancines
215-4000	Varillas de Empuje
216-4000	Retenedores para Resortes de Válvulas
216-5000	Seguros de Válvula
217-3000	Guías de Válvulas
218-3000	Asientos de Válvulas
223-1000	Pernos para Pistón
223-3000	Bujes para Pernos de Pistón
223-5000	Seguros
223-7000	Sellos ("O" Rings)
223-8000	Calzas, insertos
224-1000	Pistones
224-1000X	Pistón sin Perno y sin Seguros
224-1000WR.....	Pistón con Anillos
225-1000	Rebore Kit
226-1000	Ensamblados
226-4000	Camisas
226-4000X	Camisa sin O-Rings
S40000	Juego de Anillos para un Cilindro
40000.....	Juego de Anillos para un Motor
226-8000	Camisas Semi Terminadas
229-1000	Árboles de Levas
230-3000	Eje de Balancines
247-5000	Cigüeñales
601-1000	Bomba de Aceite

Filtros

OC	Filtro Sellado para Aceite
OX.....	Cartucho de Filtro para Aceite
KC.....	Filtro Sellado para Combustible
KX	Cartucho de Filtro para Combustible
WFX	Cartucho de Filtro para Líquido Refrigerante

Sufijos Turbocargadores

-000	Nuevo
-100	Remanufacturado a Especificaciones de Equipo Original

Termostatos

Serie	Descripción
TX.....	Cartucho de Termostato
THD.....	Termostato de Bulbo

Juntas

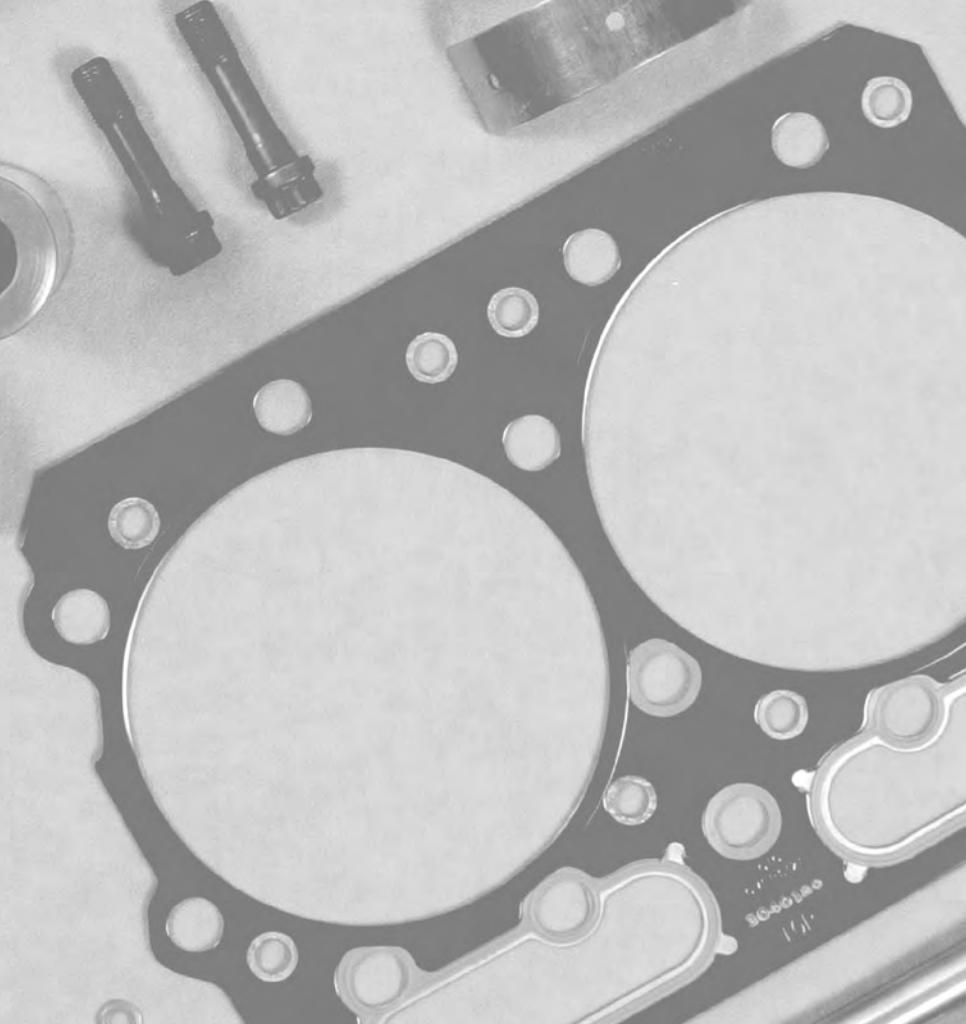
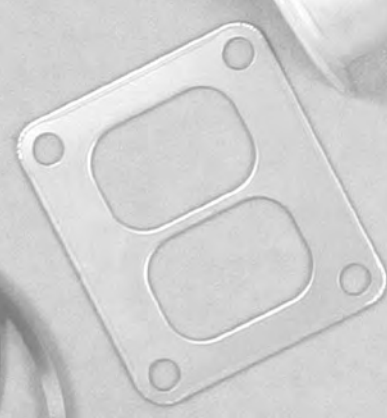
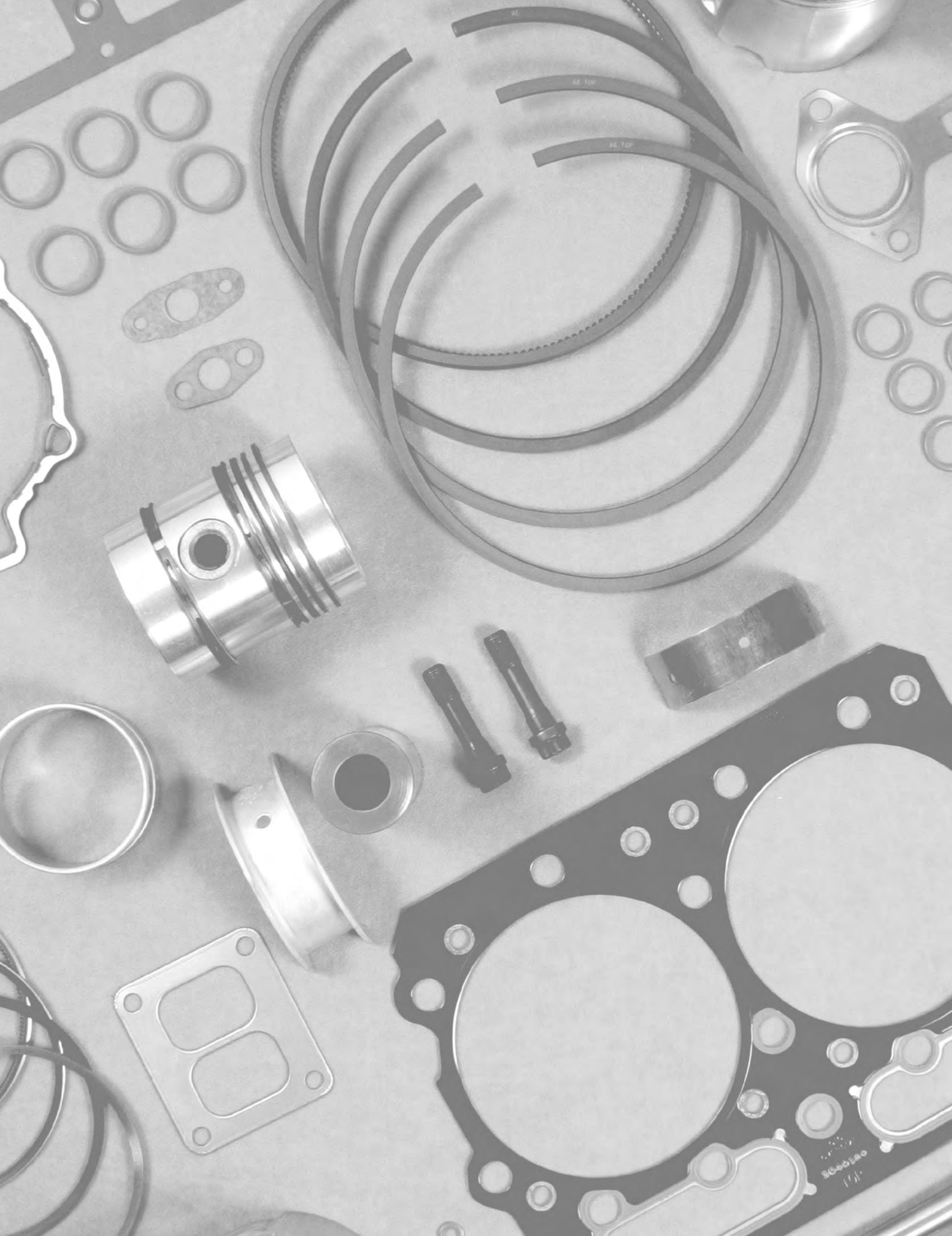
40000 & 60000.....	Retenes Frontales/Traseros
43-5999	Junta para Cabeza de Cilindros (sencilla)
B-	Sellos de Válvulas
CH-	Junta para Cabeza de Cilindros (varias)
CS-	Juego para Conversión "Inferior"
EK-	Juegos de Media Reparación
FS-	Juego de Juntas Completo
HS-	Juego de Juntas para Cabeza "Superior"
JV-	Juegos de Reten Trasero o Tapa de Distribución
MS-	Juegos para Múltiples de Admisión o Escape
OS-	Juegos de Juntas para Cáster
PS-	Juego de Juntas para Tapa de Varillas de Empuje (lateral)
SS-	Sello Frontal o Trasero (incluye camisa)
VS-	Juego de Juntas para Tapa de Balancines

Cojinetes

223-3000	Bujes para Pernos de Pistón
CB-	Cojinetes de Biela
MB-	Cojinete Individual de Bancada
MS-	Juego de Cojinetes de Bancada
SH-	Cojinete de Árbol de Levas
TW-	Arandelas de Empuje

Sufijo Cojinetes

A, AL	Aleación de Aluminio o Revestimiento de Aleación de Aluminio
-P	Respaldo de Acero con Capa Intermedia TriMetal Cobre - Plomo y Revestimiento de .001" de Babbit
-S	Indica "Juego"
-W	Arandela WL-Inferior, WU-Superior



Model	No. Cyls.	Liter	CID	Bore (mm)	Bore (IN)	Stroke (mm)	Stroke (IN)	Line No.
3306	6	10.5	638	120.7	4.750	152.4	6.0	1
3406	6	14.6	893	137.2	5.400	165.1	6.5	2
3406E	6	14.6	893	137.2	5.400	165.1	6.5	2
C15	6	15.2	928	137.2	5.400	171.0	6.7	3

LINE #	NOTES	PART DESCRIPTION	OVERHAUL	QTY	IN-FRAME	QTY
1	Engine Code: '3306' 6 Cyl, 10.5L / 638 CID, Bore 120.7mm / 4.750", Stroke 152.4mm / 6.000"; Sleeved Engine					1
1.1	Except S/N 3N0001 To 3N79762 No Heat Plug In Piston 1.500" Diameter Piston Pin Late Skirt Profile With 8N3182 Piston OE Rod Bearing Number(s) 4W5739	Kit Number	456-1000	456-5000		
		Cylinder Sleeve Assembly	226-1967	6	226-1967	6
		Main Bearing Set	MS-1114AL	1	MS-1114AL	1
		Undersizes	STD-10-20-30		STD-10-20-30	
		Connecting Rod Bearing (Pair)	CB-619AL	6	CB-619AL	6
		Undersizes	STD-10-20-30-50		STD-10-20-30-50	
		Thrust Washer Set	TW-252S	1	TW-252S	1
		Engine Cylinder Head Gasket Set	HS4966	1	HS4966	1
		Engine Conversion Gasket Set / Engine Oil Pan Gasket Set	CS4930A	1	OS32224	1
1.2	3N And 49V Series From S/N 76R371 To 76R1294 (Turbocharged only) 76R2779 Up (Turbocharged only) S/N 76R1 To 76R273 All With Bolt In Heat Plug 1.700" Diameter Piston Pin With 9N5250 Piston OE Rod Bearing Number(s) 4W5739	Kit Number	456-1001	456-5001		
		Cylinder Sleeve Assembly	226-1695	6	226-1695	6
		Main Bearing Set	MS-1114AL	1	MS-1114AL	1
		Undersizes	STD-10-20-30		STD-10-20-30	
		Connecting Rod Bearing (Pair)	CB-619AL	6	CB-619AL	6
		Undersizes	STD-10-20-30-50		STD-10-20-30-50	
		Thrust Washer Set	TW-252S	1	TW-252S	1
		Engine Cylinder Head Gasket Set	HS4966	1	HS4966	1
		Engine Conversion Gasket Set / Engine Oil Pan Gasket Set	CS4930A	1	OS32224	1
1.3	From S/N 63Z1 To 63Z12477 No Heat Plug In Piston 1.700" Diameter Piston Pin With 1654262 Piston OE Rod Bearing Number(s) 4W5739	Kit Number	456-1028	456-5028		
		Cylinder Sleeve Assembly	226-1968	6	226-1968	6
		Main Bearing Set	MS-1114AL	1	MS-1114AL	1
		Undersizes	STD-10-20-30		STD-10-20-30	
		Connecting Rod Bearing (Pair)	CB-619AL	6	CB-619AL	6
		Undersizes	STD-10-20-30-50		STD-10-20-30-50	
		Thrust Washer Set	TW-252S	1	TW-252S	1
		Engine Cylinder Head Gasket Set	HS54163-7	1	HS54163-7	1
		Engine Conversion Gasket Set / Engine Oil Pan Gasket Set	CS54163-4	1	OS32224	1

LINE #	NOTES	PART DESCRIPTION	OVERHAUL	QTY	IN-FRAME	QTY
1	Engine Code: '3306' 6 Cyl, 10.5L / 638 CID, Bore 120.7mm / 4.750", Stroke 152.4mm / 6.000"; Sleeved Engine					1
1.4	From S/N 76R4423 Up 16.0:1 CR 1.700" Diameter Piston Pin With OE# Piston 1684531 Head Gasket Set 6V2531 OE Rod Bearing Number(s) 4W5739	Kit Number			456-5039	
		Cylinder Sleeve Assembly			226-1988	6
		Main Bearing Set			MS-1114AL	1
		Undersizes			STD-10-20-30	
		Connecting Rod Bearing (Pair)			CB-619AL	6
		Undersizes			STD-10-20-30-50	
		Thrust Washer Set			TW-252S	1
		Engine Cylinder Head Gasket Set			HS4966	1
		Engine Oil Pan Gasket Set			OS32224	1
1.5	3306C 17.0:1 CR With 1073565 Piston Covers OE# Head Sets 2348002, 2348008, 2347988, 6V2527, 3E7471, 1551379 And Oil Pan Gasket 1694200 OE Rod Bearing Number(s) 4W5739	Kit Number			456-5058	
		Cylinder Sleeve Assembly			226-1974	6
		Main Bearing Set			MS-1114AL	1
		Undersizes			STD-10-20-30	
		Connecting Rod Bearing (Pair)			CB-619AL	6
		Undersizes			STD-10-20-30-50	
		Thrust Washer Set			TW-252S	1
		Optional			TW-409S	1
		Optional			TW-693S	1
		Engine Cylinder Head Gasket Set			HS54163-11	1
		Optional			HS54163-12	1
		Optional			HS54163-7	1
		Optional			HS54163-8	1
		Optional			HS54163-9	1
		Engine Oil Pan Gasket Set			OS32166	1
Optional			OS32224	1		

LINE #	NOTES	PART DESCRIPTION	OVERHAUL	QTY	IN-FRAME	QTY
2	Engine Codes: '3406, 3406E' 6 Cyl, 14.6L / 893 CID, Bore 137.2mm / 5.400", Stroke 165.1mm / 6.500"					2
2.1	3406C 14.5:1 CR Keystone Compression Rings 9 Degree Wide Tapered Rod Standard Clearance Liner 7FB66677-Up w/arrangement # 7C5822 4MG1-4MG3230 w/arrangement # 7C5822 With 2900017 Piston OE Rod Bearing Number(s) 9Y9497 OE Main Bearing Number(s); 2170390	Kit Number	456-1047			
		Cylinder Sleeve Assembly	226-1734	6		
		Main Bearings (Single, Pair)	MB-2848AL	7		
		Undersizes	STD-10-25-50			
		Connecting Rod Bearing (Pair)	CB-1262AL	6		
		Undersizes	STD-10-25-50			
		Thrust Washer Set	TW-583S	1		
		Engine Cylinder Head Gasket Set	HS54154-7	1		
		Engine Conversion Gasket Set	CS54154-5	1		
2.2	With 2212305 Crown And 132666 Skirt 15.9:1 CR 0R8017 Identifies Piston Pack Industrial OE Rod Bearing Number(s) 9Y7735 OE Main Bearing Number(s); 2170390	Kit Number	456-1077			
		Cylinder Sleeve Assembly	226-1972	6		
		Main Bearings (Single, Pair)	MB-2848AL	7		
		Undersizes	STD-10-25-50			
		Connecting Rod Bearing (Pair)	CB-1622P	6		
		Undersizes	P-25-50			
		Thrust Washer Set	TW-583S	1		
		Engine Cylinder Head Gasket Set	HS54214-2	1		
		Engine Conversion Gasket Set	CS54214-5	1		
		Engine Timing Cover Gasket Set	JV5093	1		
Rear Main Seal Set	JV1674	1				
2.3	For 1LW, 2WS, 6NZ Serial Number Prefixes Always Confirm With Exact Serial Number and Arrangement Number For Proper Parts Selection OE Rod Bearing Number(s) 9Y7735 OE Main Bearing Number(s); 2170390	Kit Number	456-1078			
		Cylinder Sleeve Assembly	226-1969	6		
		Main Bearings (Single, Pair)	MB-2848AL	7		
		Undersizes	STD-10-25-50			
		Connecting Rod Bearing (Pair)	CB-1622P	6		
		Undersizes	P-25-50			
		Thrust Washer Set	TW-583S	1		
		Engine Cylinder Head Gasket Set	HS54643-6	1		
		Engine Conversion Gasket Set	CS54643-1	1		
		Engine Timing Cover Gasket Set	JV5104	1		
Rear Main Seal Set	JV1700	1				

LINE #	NOTES	PART DESCRIPTION	OVERHAUL	QTY	IN-FRAME	QTY
2	Engine Codes: '3406, 3406E' 6 Cyl, 14.6L / 893 CID, Bore 137.2mm / 5.400", Stroke 165.1mm / 6.500"					2
2.4	3406B From S/N 4MG43578 9 Degree Taper Spacer Plate Engine With 7E0539 Piston Covers OE# 2193501, 2902060, 8C5704 Head Sets and 4N1151 Pan Gasket OE Rod Bearing Number(s) 9Y9497 OE Main Bearing Number(s); 2170390	Kit Number			456-5007	
		Cylinder Sleeve Assembly			226-1901	6
		Main Bearings (Single, Pair)			MB-2848AL	7
		Undersizes			STD-10-25-50	
		Connecting Rod Bearing (Pair)			CB-1262AL	6
		Undersizes			STD-10-25-50	
		Thrust Washer Set			TW-583S	1
		In-frame Overhaul Set			EK0102VR	1
2.5	3406 From S/N 92U14043 To 92U28616 No Heat Plug In Piston 9 Degree Wide Tapered Rod With Rod Bearing Length Of 1.535" With 2900017 Piston OE Rod Bearing Number(s) 9Y9497 OE Main Bearing Number(s); 2170390	Kit Number			456-5030	
		Cylinder Sleeve Assembly			226-1734	6
		Main Bearings (Single, Pair)			MB-2848AL	7
		Undersizes			STD-10-25-50	
		Connecting Rod Bearing (Pair)			CB-1262AL	6
		Undersizes			STD-10-25-50	
		Thrust Washer Set			TW-583S	1
		Engine Cylinder Head Gasket Set			HS4931B	1
Engine Oil Pan Gasket Set			OS32500A	1		
2.6	3406B From S/N 92U28617 9 Degree Wide Tapered Rod With Rod Bearing Length Of 1.535" Spacer Plate Engine With 2900017 Piston OE Rod Bearing Number(s) 9Y9497 OE Main Bearing Number(s); 2170390	Kit Number	456-1031		456-5031	
		Cylinder Sleeve Assembly	226-1734	6	226-1734	6
		Main Bearings (Single, Pair)	MB-2848AL	7	MB-2848AL	7
		Undersizes	STD-10-25-50		STD-10-25-50	
		Connecting Rod Bearing (Pair)	CB-1262AL	6	CB-1262AL	6
		Undersizes	STD-10-25-50		STD-10-25-50	
		Thrust Washer Set	TW-583S	1	TW-583S	1
		Engine Full Gasket Set / In-frame Overhaul Set	FS4966A	1	EK0102VR	1
2.7	3406B From S/N 4MG8865 (Programable Electronic Engine Control) From S/N 8TC1413 9 Degree Wide Tapered Connecting Rod Only 1.535" Length Rod Bearing Spacer Plate Engine Wth 9Y7212 Piston OE Rod Bearing Number(s) 9Y9497 OE Main Bearing Number(s); 2170390	Kit Number	456-1035		456-5035	
		Cylinder Sleeve Assembly	226-1733	6	226-1733	6
		Main Bearings (Single, Pair)	MB-2848AL	7	MB-2848AL	7
		Undersizes	STD-10-25-50		STD-10-25-50	
		Connecting Rod Bearing (Pair)	CB-1262AL	6	CB-1262AL	6
		Undersizes	STD-10-25-50		STD-10-25-50	
		Thrust Washer Set	TW-583S	1	TW-583S	1
		Engine Full Gasket Set / In-frame Overhaul Set	FS4966B	1	EK0102VR	1

LINE #	NOTES	PART DESCRIPTION	OVERHAUL	QTY	IN-FRAME	QTY
2	Engine Codes: '3406, 3406E' 6 Cyl, 14.6L / 893 CID, Bore 137.2mm / 5.400", Stroke 165.1mm / 6.500"					2
2.8	3406C 15.2:1 CR 2.000" Diameter Pin From S/N 4CK1 And From S/N 5KJ1 9 Degree Wide Tapered Rod Spacer Plate Engine With 7E8700 Piston Covers OE# 2193501, 2902060, 8C5704 Head Sets and 4N1151 Pan Gasket OE Rod Bearing Number(s) 9Y7735 OE Main Bearing Number(s); 2170390	Kit Number			456-5036	
		Cylinder Sleeve Assembly			226-1918	6
		Main Bearings (Single, Pair)			MB-2848AL	7
		Undersizes			STD-10-25-50	
		Connecting Rod Bearing (Pair)			CB-1622P	6
		Undersizes			P-25-50	
		Thrust Washer Set			TW-583S	1
In-frame Overhaul Set			EK0102VR	1		
2.9	3406B From S/N 4MG3600 Up From S/N 8TC1413 9 Degree Tapered Connecting Rod 1.535" Length Rod Bearing Spacer Plate Engine OE Rod Bearing Number(s) 9Y9497 OE Main Bearing Number(s); 2170390	Kit Number	456-1040		456-5040	
		Cylinder Sleeve Assembly	226-1855	6	226-1855	6
		Main Bearings (Single, Pair)	MB-2848AL	7	MB-2848AL	7
		Undersizes	STD-10-25-50		STD-10-25-50	
		Connecting Rod Bearing (Pair)	CB-1262AL	6	CB-1262AL	6
		Undersizes	STD-10-25-50		STD-10-25-50	
		Thrust Washer Set	TW-583S	1	TW-583S	1
Engine Full Gasket Set / In-frame Overhaul Set	FS4966B	1	EK0102VR	1		
2.10	3406B From S/N 7FB1 and 4MG1-3599 9 Degree Tapered Connecting Rod With Rod Bearing Length Of 1.535" With 9Y3116 Piston OE Rod Bearing Number(s) 9Y9497 OE Main Bearing Number(s); 2170390	Kit Number	456-1041		456-5041	
		Cylinder Sleeve Assembly	226-1898	6	226-1898	6
		Main Bearings (Single, Pair)	MB-2848AL	7	MB-2848AL	7
		Undersizes	STD-10-25-50		STD-10-25-50	
		Connecting Rod Bearing (Pair)	CB-1262AL	6	CB-1262AL	6
		Undersizes	STD-10-25-50		STD-10-25-50	
		Thrust Washer Set	TW-583S	1	TW-583S	1
Engine Full Gasket Set / In-frame Overhaul Set	FS4966A	1	EK0102VR	1		

LINE #	NOTES	PART DESCRIPTION	OVERHAUL	QTY	IN-FRAME	QTY
2	Engine Codes: '3406, 3406E' 6 Cyl, 14.6L / 893 CID, Bore 137.2mm / 5.400", Stroke 165.1mm / 6.500"					2
2.11	15.2:1 CR 2.000" Diameter Pin S/N 2EK1-Up & 3ZJ1-Up 9 Degree Tapered Connecting Rod With 7E8700 Piston Covers OE# 2193501, 2902060, 8C5704 Head Sets and 4N1151 Pan Gasket OE Rod Bearing Number(s) 9Y9497 OE Main Bearing Number(s); 2170390	Kit Number			456-5042	
		Cylinder Sleeve Assembly			226-1918	6
		Main Bearings (Single, Pair)			MB-2848AL	7
		Undersizes			STD-10-25-50	
		Connecting Rod Bearing (Pair)			CB-1262AL	6
		Undersizes			STD-10-25-50	
		Thrust Washer Set			TW-583S	1
		In-frame Overhaul Set			EK0102VR	1
2.12	3406B From S/N 8TC6476 9 Degree Tapered Connecting Rod Spacer Plate Engine With 7E0539 Piston OE Rod Bearing Number(s) 9Y7735 OE Main Bearing Number(s); 2170390	Kit Number			456-5043	
		Cylinder Sleeve Assembly			226-1901	6
		Main Bearings (Single, Pair)			MB-2848AL	7
		Undersizes			STD-10-25-50	
		Connecting Rod Bearing (Pair)			CB-1622P	6
		Undersizes			P-25-50	
		Thrust Washer Set			TW-583S	1
		In-frame Overhaul Set			EK0102VR	1
2.13	3406C Arrangement # 4P1019 S/N 3ZJ36602 16.4:1 CR With 1010016 Piston Covers OE# 2266070, 2310649 Head Sets and 4N1151(2) Pan Gasket OE Rod Bearing Number(s) 9Y7735 OE Main Bearing Number(s); 2170390	Kit Number			456-5046	
		Cylinder Sleeve Assembly			226-1922	6
		Main Bearings (Single, Pair)			MB-2848AL	7
		Undersizes			STD-10-25-50	
		Connecting Rod Bearing (Pair)			CB-1622P	6
		Undersizes			P-25-50	
		Thrust Washer Set			TW-583S	1
		In-frame Overhaul Set			EK0202	1

LINE #	NOTES	PART DESCRIPTION	OVERHAUL	QTY	IN-FRAME	QTY
2	Engine Codes: '3406, 3406E' 6 Cyl, 14.6L / 893 CID, Bore 137.2mm / 5.400", Stroke 165.1mm / 6.500"					2
2.14	16.25:1 CR 435-475 HP With 7C2888 Crown And 1300241 Skirt OE Piston Pack# 0R4487, 0R8333 Engines With P.E.E.C. 1.645" Main Bearing Length For Engines With A Single Valve Cover Contains OE# Lower Gasket Set 124-8898 Timing Cover Gasket Set 234-1866 OE Rod Bearing Number(s) 9Y7735 OE Main Bearing Number(s); 2170390	Kit Number	456-1048	456-5048		
		Cylinder Sleeve Assembly	226-1973	6	226-1973	6
		Main Bearings (Single, Pair)	MB-2848AL	7	MB-2848AL	7
		Undersizes	STD-10-25-50		STD-10-25-50	
		Connecting Rod Bearing (Pair)	CB-1622P	6	CB-1622P	6
		Undersizes	P-25-50		P-25-50	
		Thrust Washer Set	TW-583S	1	TW-583S	1
		Engine Cylinder Head Gasket Set / In-frame Overhaul Set	HS54214-1	1	EK3535VR	1
		Engine Conversion Gasket Set	CS54214-8	1		
		Engine Timing Cover Gasket Set	JV5089	1		
Rear Main Seal Set	JV1698	1				
2.15	16.25:1 CR 435-475 HP With 7C2888 Crown And 1300241 Skirt OE Piston Pack# 0R4487, 0R8333 Engines With P.E.E.C. 1.645" Main Bearing Length For Engines With A Single Valve Cover Contains OE# Lower Gasket Set 115-9462 Timing Cover Gasket Set 234-1866 OE Rod Bearing Number(s) 9Y7735 OE Main Bearing Number(s); 2170390	Kit Number	456-1049	456-5048		
		Cylinder Sleeve Assembly	226-1973	6	226-1973	6
		Main Bearings (Single, Pair)	MB-2848AL	7	MB-2848AL	7
		Undersizes	STD-10-25-50		STD-10-25-50	
		Connecting Rod Bearing (Pair)	CB-1622P	6	CB-1622P	6
		Undersizes	P-25-50		P-25-50	
		Thrust Washer Set	TW-583S	1	TW-583S	1
		Engine Cylinder Head Gasket Set / In-frame Overhaul Set	HS54214-1	1	EK3535VR	1
		Engine Conversion Gasket Set	CS54214-1	1		
		Engine Timing Cover Gasket Set	JV5089	1		
Rear Main Seal Set	JV1698	1				
2.16	16.25:1 CR 435-475 HP With 7C2888 Crown And 1300241 Skirt OE Piston Pack# 0R4487, 0R8333 Engines With P.E.E.C. 1.645" Main Bearing Length For Engines With A Single Valve Cover Contains OE# Lower Gasket Set 130-9035 Timing Cover Gasket Set 234-1866 OE Rod Bearing Number(s) 9Y7735 OE Main Bearing Number(s); 2170390	Kit Number	456-1070	456-5048		
		Cylinder Sleeve Assembly	226-1973	6	226-1973	6
		Main Bearings (Single, Pair)	MB-2848AL	7	MB-2848AL	7
		Undersizes	STD-10-25-50		STD-10-25-50	
		Connecting Rod Bearing (Pair)	CB-1622P	6	CB-1622P	6
		Undersizes	P-25-50		P-25-50	
		Thrust Washer Set	TW-583S	1	TW-583S	1
		Engine Cylinder Head Gasket Set / In-frame Overhaul Set	HS54214-1	1	EK3535VR	1
		Engine Conversion Gasket Set	CS54214-3	1		
		Engine Timing Cover Gasket Set	JV5089	1		
Rear Main Seal Set	JV1698	1				

LINE #	NOTES	PART DESCRIPTION	OVERHAUL	QTY	IN-FRAME	QTY
2	Engine Codes: '3406, 3406E' 6 Cyl, 14.6L / 893 CID, Bore 137.2mm / 5.400", Stroke 165.1mm / 6.500"					2
2.17	16.25:1 CR 435-475 HP With 7C2888 Crown And 1300241 Skirt OE Piston Pack# 0R4487, 0R8333 Engines With P.E.E.C. 1.645" Main Bearing Length For Engines With A Single Valve Cover Contains OE# Lower Gasket Set 214-4150 Timing Cover Gasket Set 233-6984 OE Rod Bearing Number(s) 9Y7735 OE Main Bearing Number(s); 2170390	Kit Number	456-1071		456-5048	
		Cylinder Sleeve Assembly	226-1973	6	226-1973	6
		Main Bearings (Single, Pair)	MB-2848AL	7	MB-2848AL	7
		Undersizes	STD-10-25-50		STD-10-25-50	
		Connecting Rod Bearing (Pair)	CB-1622P	6	CB-1622P	6
		Undersizes	P-25-50		P-25-50	
		Thrust Washer Set	TW-583S	1	TW-583S	1
		Engine Cylinder Head Gasket Set / In-frame Overhaul Set	HS54214-1	1	EK3535VR	1
		Engine Conversion Gasket Set	CS54214-5	1		
		Engine Timing Cover Gasket Set	JV5093	1		
		Rear Main Seal Set	JV1698	1		
		2.18	16.25:1 CR 435-475 HP Engines With P.E.E.C. 1.645" Main Bearing Length For Engines With A Single Valve Cover OE Piston Pack# 0R4487, 0R8333 With 7C2888 Crown And 1300241 Skirt Contains OE# Lower Gasket Set 115-9462 Timing Cover Gasket Set 233-6984 OE Rod Bearing Number(s) 9Y7735 OE Main Bearing Number(s); 2170390	Kit Number	456-1072	
Cylinder Sleeve Assembly	226-1973			6	226-1973	6
Main Bearings (Single, Pair)	MB-2848AL			7	MB-2848AL	7
Undersizes	STD-10-25-50				STD-10-25-50	
Connecting Rod Bearing (Pair)	CB-1622P			6	CB-1622P	6
Undersizes	P-25-50				P-25-50	
Thrust Washer Set	TW-583S			1	TW-583S	1
Engine Cylinder Head Gasket Set / In-frame Overhaul Set	HS54214-1			1	EK3535VR	1
Engine Conversion Gasket Set	CS54214-1			1		
Engine Timing Cover Gasket Set	JV5093			1		
Rear Main Seal Set	JV1698			1		
2.19	16.25:1 CR 435-475 HP With 7C2888 Crown And 1300241 Skirt OE Piston Pack# 0R4487, 0R8333 Engines With P.E.E.C. 1.645" Main Bearing Length For Engines With A Single Valve Cover Contains OE# Lower Gasket Set 214-4150 Timing Cover Gasket Set 234-1866 OE Rod Bearing Number(s) 9Y7735 OE Main Bearing Number(s); 2170390			Kit Number	456-1073	
		Cylinder Sleeve Assembly	226-1973	6	226-1973	6
		Main Bearings (Single, Pair)	MB-2848AL	7	MB-2848AL	7
		Undersizes	STD-10-25-50		STD-10-25-50	
		Connecting Rod Bearing (Pair)	CB-1622P	6	CB-1622P	6
		Undersizes	P-25-50		P-25-50	
		Thrust Washer Set	TW-583S	1	TW-583S	1
		Engine Cylinder Head Gasket Set / In-frame Overhaul Set	HS54214-1	1	EK3535VR	1
		Engine Conversion Gasket Set	CS54214-5	1		
		Engine Timing Cover Gasket Set	JV5089	1		
		Rear Main Seal Set	JV1698	1		

LINE #	NOTES	PART DESCRIPTION	OVERHAUL	QTY	IN-FRAME	QTY
2	Engine Codes: '3406, 3406E' 6 Cyl, 14.6L / 893 CID, Bore 137.2mm / 5.400", Stroke 165.1mm / 6.500"					2
2.20	16.25:1 CR 435-475 HP With 7C2888 Crown And 1300241 Skirt OE Piston Pack# 0R4487, 0R8333 Engines With P.E.E.C. 1.645" Main Bearing Length For Engines With A Single Valve Cover Contains OE# Lower Set 119-0957 Timing Cover Gasket Set 234-1866 OE Rod Bearing Number(s) 9Y7735 OE Main Bearing Number(s); 2170390	Kit Number	456-1074	456-5048		
		Cylinder Sleeve Assembly	226-1973	6	226-1973	6
		Main Bearings (Single, Pair)	MB-2848AL	7	MB-2848AL	7
		Undersizes	STD-10-25-50		STD-10-25-50	
		Connecting Rod Bearing (Pair)	CB-1622P	6	CB-1622P	6
		Undersizes	P-25-50		P-25-50	
		Thrust Washer Set	TW-583S	1	TW-583S	1
		Engine Cylinder Head Gasket Set / In-frame Overhaul Set	HS54214-1	1	EK3535VR	1
		Engine Conversion Gasket Set	CS54214-7	1		
		Engine Timing Cover Gasket Set	JV5089	1		
Rear Main Seal Set	JV1698	1				
2.21	16.25:1 CR 435-475 HP With 7C2888 Crown And 1300241 Skirt OE Piston Pack# 0R4487, 0R8333 Engines With P.E.E.C. 1.645" Main Bearing Length For Engines With A Single Valve Cover Contains OE# Lower Set 120-9328 Timing Cover Gasket Set 234-1866 OE Rod Bearing Number(s) 9Y7735 OE Main Bearing Number(s); 2170390	Kit Number	456-1075	456-5048		
		Cylinder Sleeve Assembly	226-1973	6	226-1973	6
		Main Bearings (Single, Pair)	MB-2848AL	7	MB-2848AL	7
		Undersizes	STD-10-25-50		STD-10-25-50	
		Connecting Rod Bearing (Pair)	CB-1622P	6	CB-1622P	6
		Undersizes	P-25-50		P-25-50	
		Thrust Washer Set	TW-583S	1	TW-583S	1
		Engine Cylinder Head Gasket Set / In-frame Overhaul Set	HS54214-1	1	EK3535VR	1
		Engine Conversion Gasket Set	CS54214-9	1		
		Engine Timing Cover Gasket Set	JV5089	1		
Rear Main Seal Set	JV1698	1				
2.22	16.25:1 CR 435-475 HP With 7C2888 Crown And 1300241 Skirt OE Piston Pack# 0R4487, 0R8333 Engines With P.E.E.C. 1.645" Main Bearing Length For Engines With A Single Valve Cover Timing Cover Gasket Set 233-6984 Contains OE# Lower Gasket Set 130-9035 OE Rod Bearing Number(s) 9Y7735 OE Main Bearing Number(s); 2170390	Kit Number	456-1076	456-5048		
		Cylinder Sleeve Assembly	226-1973	6	226-1973	6
		Main Bearings (Single, Pair)	MB-2848AL	7	MB-2848AL	7
		Undersizes	STD-10-25-50		STD-10-25-50	
		Connecting Rod Bearing (Pair)	CB-1622P	6	CB-1622P	6
		Undersizes	P-25-50		P-25-50	
		Thrust Washer Set	TW-583S	1	TW-583S	1
		Engine Cylinder Head Gasket Set / In-frame Overhaul Set	HS54214-1	1	EK3535VR	1
		Engine Conversion Gasket Set	CS54214-3	1		
		Engine Timing Cover Gasket Set	JV5093	1		
Rear Main Seal Set	JV1698	1				

LINE #	NOTES	PART DESCRIPTION	OVERHAUL	QTY	IN-FRAME	QTY
2	Engine Codes: '3406, 3406E' 6 Cyl, 14.6L / 893 CID, Bore 137.2mm / 5.400", Stroke 165.1mm / 6.500"					2
2.23	16:6:1 CR With 1807352 Crown And 1326663 Skirt OE Piston Pack# 0R8915, 10R8616 1.645" Main Bearing Length For Engines With A Single Valve Cover Contains OE# Lower Gasket Set 214-4150 Timing Cover Gasket Set 234-1866 OE Rod Bearing Number(s) 9Y7735 OE Main Bearing Number(s); 2170390	Kit Number	456-1051		456-5049	
		Cylinder Sleeve Assembly	226-1969	6	226-1969	6
		Main Bearings (Single, Pair)	MB-2848AL	7	MB-2848AL	7
		Undersizes	STD-10-25-50		STD-10-25-50	
		Connecting Rod Bearing (Pair)	CB-1622P	6	CB-1622P	6
		Undersizes	P-25-50		P-25-50	
		Thrust Washer Set	TW-583S	1	TW-583S	1
		Engine Cylinder Head Gasket Set / In-frame Overhaul Set	HS54214-1	1	EK3535VR	1
		Engine Conversion Gasket Set	CS54214-5	1		
		Engine Timing Cover Gasket Set	JV5089	1		
		Rear Main Seal Set	JV1698	1		
2.24	16:6:1 CR With 1807352 Crown And 1326663 Skirt OE Piston Pack# 0R8915, 10R8616 1.645" Main Bearing Length For Engines With A Single Valve Cover Contains OE# Lower Gasket Set 214-4150 Timing Cover Gasket Set 233-6984 OE Rod Bearing Number(s) 9Y7735 OE Main Bearing Number(s); 2170390	Kit Number	456-1053		456-5049	
		Cylinder Sleeve Assembly	226-1969	6	226-1969	6
		Main Bearings (Single, Pair)	MB-2848AL	7	MB-2848AL	7
		Undersizes	STD-10-25-50		STD-10-25-50	
		Connecting Rod Bearing (Pair)	CB-1622P	6	CB-1622P	6
		Undersizes	P-25-50		P-25-50	
		Thrust Washer Set	TW-583S	1	TW-583S	1
		Engine Cylinder Head Gasket Set / In-frame Overhaul Set	HS54214-1	1	EK3535VR	1
		Engine Conversion Gasket Set	CS54214-5	1		
		Engine Timing Cover Gasket Set	JV5093	1		
		Rear Main Seal Set	JV1698	1		
2.25	16:6:1 CR With 1807352 Crown And 1326663 Skirt OE Piston Pack# 0R8915, 10R8616 1.645" Main Bearing Length For Engines With A Single Valve Cover Contains OE# Lower Set 180-3446 Timing Cover Gasket Set 233-6984 OE Rod Bearing Number(s) 9Y7735 OE Main Bearing Number(s); 2170390	Kit Number	456-1069		456-5049	
		Cylinder Sleeve Assembly	226-1969	6	226-1969	6
		Main Bearings (Single, Pair)	MB-2848AL	7	MB-2848AL	7
		Undersizes	STD-10-25-50		STD-10-25-50	
		Connecting Rod Bearing (Pair)	CB-1622P	6	CB-1622P	6
		Undersizes	P-25-50		P-25-50	
		Thrust Washer Set	TW-583S	1	TW-583S	1
		Engine Cylinder Head Gasket Set / In-frame Overhaul Set	HS54214-1	1	EK3535VR	1
		Engine Conversion Gasket Set	CS54214-4	1		
		Engine Timing Cover Gasket Set	JV5093	1		
		Rear Main Seal Set	JV1698	1		

LINE #	NOTES	PART DESCRIPTION	OVERHAUL	QTY	IN-FRAME	QTY
2	Engine Codes: '3406, 3406E' 6 Cyl, 14.6L / 893 CID, Bore 137.2mm / 5.400", Stroke 165.1mm / 6.500"					2
2.26	16:6:1 CR With 1807352 Crown And 1326663 Skirt OE Piston Pack# 0R8915, 10R8616 1.645" Main Bearing Length For Engines with 3 Individual Valve Covers Contains OE# Lower Gasket Set 214-4150 Timing Cover Gasket Set 233-6984 OE Rod Bearing Number(s) 9Y7735 OE Main Bearing Number(s); 2170390	Kit Number	456-1054	456-5050		
		Cylinder Sleeve Assembly	226-1969	6	226-1969	6
		Main Bearings (Single, Pair)	MB-2848AL	7	MB-2848AL	7
		Undersizes	STD-10-25-50		STD-10-25-50	
		Connecting Rod Bearing (Pair)	CB-1622P	6	CB-1622P	6
		Undersizes	P-25-50		P-25-50	
		Thrust Washer Set	TW-583S	1	TW-583S	1
		Engine Cylinder Head Gasket Set / In-frame Overhaul Set	HS54214-2	1	EK3536	1
		Engine Conversion Gasket Set	CS54214-5	1		
		Engine Timing Cover Gasket Set	JV5093	1		
Rear Main Seal Set	JV1698	1				
2.27	16:6:1 CR With 1807352 Crown And 1326663 Skirt OE Piston Pack# 0R8915, 10R8616 1.645" Main Bearing Length For Engines with 3 Individual Valve Covers Contains OE# Lower Set 153-5527 Timing Cover Gasket Set 233-6984 OE Rod Bearing Number(s) 9Y7735 OE Main Bearing Number(s); 2170390	Kit Number	456-1067	456-5050		
		Cylinder Sleeve Assembly	226-1969	6	226-1969	6
		Main Bearings (Single, Pair)	MB-2848AL	7	MB-2848AL	7
		Undersizes	STD-10-25-50		STD-10-25-50	
		Connecting Rod Bearing (Pair)	CB-1622P	6	CB-1622P	6
		Undersizes	P-25-50		P-25-50	
		Thrust Washer Set	TW-583S	1	TW-583S	1
		Engine Cylinder Head Gasket Set / In-frame Overhaul Set	HS54214-2	1	EK3536	1
		Engine Conversion Gasket Set	CS54214-11	1		
		Engine Timing Cover Gasket Set	JV5093	1		
Rear Main Seal Set	JV1698	1				
2.28	16:6:1 CR With 1807352 Crown And 1326663 Skirt OE Piston Pack# 0R8915, 10R8616 1.645" Main Bearing Length For Engines with 3 Individual Valve Covers Contains OE# Lower Gasket Set 130-9035 Timing Cover Gasket Set 233-6984 OE Rod Bearing Number(s) 9Y7735 OE Main Bearing Number(s); 2170390	Kit Number	456-1068	456-5050		
		Cylinder Sleeve Assembly	226-1969	6	226-1969	6
		Main Bearings (Single, Pair)	MB-2848AL	7	MB-2848AL	7
		Undersizes	STD-10-25-50		STD-10-25-50	
		Connecting Rod Bearing (Pair)	CB-1622P	6	CB-1622P	6
		Undersizes	P-25-50		P-25-50	
		Thrust Washer Set	TW-583S	1	TW-583S	1
		Engine Cylinder Head Gasket Set / In-frame Overhaul Set	HS54214-2	1	EK3536	1
		Engine Conversion Gasket Set	CS54214-3	1		
		Engine Timing Cover Gasket Set	JV5093	1		
Rear Main Seal Set	JV1698	1				

LINE #	NOTES	PART DESCRIPTION	OVERHAUL	QTY	IN-FRAME	QTY
2	Engine Codes: '3406, 3406E' 6 Cyl, 14.6L / 893 CID, Bore 137.2mm / 5.400", Stroke 165.1mm / 6.500"					2
2.29	16.25:1 CR 335-410 HP With 1352837 Crown And 1300241 Skirt OE Piston Pack# 0R8333, 10R9554 1.645" Main Bearing Length For Engines With A Single Valve Cover Contains OE# Lower Gasket Set 142-9672 Timing Cover Gasket Set 234-1866 OE Rod Bearing Number(s) 9Y7735 OE Main Bearing Number(s); 2170390	Kit Number	456-1055	456-5051		
		Cylinder Sleeve Assembly	226-1970	6	226-1970	6
		Main Bearings (Single, Pair)	MB-2848AL	7	MB-2848AL	7
		Undersizes	STD-10-25-50		STD-10-25-50	
		Connecting Rod Bearing (Pair)	CB-1622P	6	CB-1622P	6
		Undersizes	P-25-50		P-25-50	
		Thrust Washer Set	TW-583S	1	TW-583S	1
		Engine Cylinder Head Gasket Set / In-frame Overhaul Set	HS54214-1	1	EK3535VR	1
		Engine Conversion Gasket Set	CS54214-3	1		
		Engine Timing Cover Gasket Set	JV5089	1		
		Rear Main Seal Set	JV1698	1		
2.30	16.25:1 CR 335-410 HP With 1352837 Crown And 1300241 Skirt OE Piston Pack# 0R8333, 10R9554 1.645" Main Bearing Length For Engines With A Single Valve Cover Contains OE# Lower Gasket Set 214-4150 Timing Cover Gasket Set 234-1866 OE Rod Bearing Number(s) 9Y7735 OE Main Bearing Number(s); 2170390	Kit Number	456-1056	456-5051		
		Cylinder Sleeve Assembly	226-1970	6	226-1970	6
		Main Bearings (Single, Pair)	MB-2848AL	7	MB-2848AL	7
		Undersizes	STD-10-25-50		STD-10-25-50	
		Connecting Rod Bearing (Pair)	CB-1622P	6	CB-1622P	6
		Undersizes	P-25-50		P-25-50	
		Thrust Washer Set	TW-583S	1	TW-583S	1
		Engine Cylinder Head Gasket Set / In-frame Overhaul Set	HS54214-1	1	EK3535VR	1
		Engine Conversion Gasket Set	CS54214-5	1		
		Engine Timing Cover Gasket Set	JV5089	1		
		Rear Main Seal Set	JV1698	1		
2.31	16.25:1 CR 335-410 HP With 1352837 Crown And 1300241 Skirt OE Piston Pack# 0R8333, 10R9554 1.645" Main Bearing Length For Engines With A Single Valve Cover Contains OE# Lower Set 153-5527 Timing Cover Gasket Set 233-6984 OE Rod Bearing Number(s) 9Y7735 OE Main Bearing Number(s); 2170390	Kit Number	456-1063	456-5051		
		Cylinder Sleeve Assembly	226-1970	6	226-1970	6
		Main Bearings (Single, Pair)	MB-2848AL	7	MB-2848AL	7
		Undersizes	STD-10-25-50		STD-10-25-50	
		Connecting Rod Bearing (Pair)	CB-1622P	6	CB-1622P	6
		Undersizes	P-25-50		P-25-50	
		Thrust Washer Set	TW-583S	1	TW-583S	1
		Engine Cylinder Head Gasket Set / In-frame Overhaul Set	HS54214-1	1	EK3535VR	1
		Engine Conversion Gasket Set	CS54214-11	1		
		Engine Timing Cover Gasket Set	JV5093	1		
		Rear Main Seal Set	JV1698	1		

LINE #	NOTES	PART DESCRIPTION	OVERHAUL	QTY	IN-FRAME	QTY
2	Engine Codes: '3406, 3406E' 6 Cyl, 14.6L / 893 CID, Bore 137.2mm / 5.400", Stroke 165.1mm / 6.500"					2
2.32	16.25:1 CR 335-410 HP With 1352837 Crown And 1300241 Skirt OE Piston Pack# 0R8333, 10R9554 1.645" Main Bearing Length For Engines With A Single Valve Cover Contains OE# Lower Gasket Set 214-4150 Timing Cover Gasket Set 233-6984 OE Rod Bearing Number(s) 9Y7735 OE Main Bearing Number(s); 2170390	Kit Number	456-1064	456-5051		
		Cylinder Sleeve Assembly	226-1970	6	226-1970	6
		Main Bearings (Single, Pair)	MB-2848AL	7	MB-2848AL	7
		Undersizes	STD-10-25-50		STD-10-25-50	
		Connecting Rod Bearing (Pair)	CB-1622P	6	CB-1622P	6
		Undersizes	P-25-50		P-25-50	
		Thrust Washer Set	TW-583S	1	TW-583S	1
		Engine Cylinder Head Gasket Set / In-frame Overhaul Set	HS54214-1	1	EK3535VR	1
		Engine Conversion Gasket Set	CS54214-5	1		
		Engine Timing Cover Gasket Set	JV5093	1		
Rear Main Seal Set	JV1698	1				
2.33	16.25:1 CR 335-410 HP With 1352837 Crown And 1300241 Skirt OE Piston Pack# 0R8333, 10R9554 1.645" Main Bearing Length For Engines With A Single Valve Cover Contains OE# Lower Gasket Set 130-9035 Timing Cover Gasket Set 234-1866 OE Rod Bearing Number(s) 9Y7735 OE Main Bearing Number(s); 2170390	Kit Number	456-1065	456-5051		
		Cylinder Sleeve Assembly	226-1970	6	226-1970	6
		Main Bearings (Single, Pair)	MB-2848AL	7	MB-2848AL	7
		Undersizes	STD-10-25-50		STD-10-25-50	
		Connecting Rod Bearing (Pair)	CB-1622P	6	CB-1622P	6
		Undersizes	P-25-50		P-25-50	
		Thrust Washer Set	TW-583S	1	TW-583S	1
		Engine Cylinder Head Gasket Set / In-frame Overhaul Set	HS54214-1	1	EK3535VR	1
		Engine Conversion Gasket Set	CS54214-3	1		
		Engine Timing Cover Gasket Set	JV5089	1		
Rear Main Seal Set	JV1698	1				
2.34	16.25:1 CR 335-410 HP With 1352837 Crown And 1300241 Skirt OE Piston Pack# 0R8333, 10R9554 1.645" Main Bearing Length For Engines With A Single Valve Cover Contains OE# Lower Set 153-5527 Timing Cover Gasket Set 234-1866 OE Rod Bearing Number(s) 9Y7735 OE Main Bearing Number(s); 2170390	Kit Number	456-1066	456-5051		
		Cylinder Sleeve Assembly	226-1970	6	226-1970	6
		Main Bearings (Single, Pair)	MB-2848AL	7	MB-2848AL	7
		Undersizes	STD-10-25-50		STD-10-25-50	
		Connecting Rod Bearing (Pair)	CB-1622P	6	CB-1622P	6
		Undersizes	P-25-50		P-25-50	
		Thrust Washer Set	TW-583S	1	TW-583S	1
		Engine Cylinder Head Gasket Set / In-frame Overhaul Set	HS54214-1	1	EK3535VR	1
		Engine Conversion Gasket Set	CS54214-11	1		
		Engine Timing Cover Gasket Set	JV5089	1		
Rear Main Seal Set	JV1698	1				

LINE #	NOTES	PART DESCRIPTION	OVERHAUL	QTY	IN-FRAME	QTY
2	Engine Codes: '3406, 3406E' 6 Cyl, 14.6L / 893 CID, Bore 137.2mm / 5.400", Stroke 165.1mm / 6.500"					2
2.35	16.25:1 CR With 1495566 Crown And 1300241 Skirt 0R8913 Identifies Piston Pack 1.645" Main Bearing Length For Engines With A Single Valve Cover Contains OE# Lower Gasket Set 214-4150 Timing Cover Gasket Set 234-1866 OE Rod Bearing Number(s) 9Y7735 OE Main Bearing Number(s); 2170390	Kit Number	456-1057	456-5052		
		Cylinder Sleeve Assembly	226-1971	6	226-1971	6
		Main Bearings (Single, Pair)	MB-2848AL	7	MB-2848AL	7
		Undersizes	STD-10-25-50		STD-10-25-50	
		Connecting Rod Bearing (Pair)	CB-1622P	6	CB-1622P	6
		Undersizes	P-25-50		P-25-50	
		Thrust Washer Set	TW-583S	1	TW-583S	1
		Engine Cylinder Head Gasket Set / In-frame Overhaul Set	HS54214-1	1	EK3535VR	1
		Engine Conversion Gasket Set	CS54214-5	1		
		Engine Timing Cover Gasket Set	JV5089	1		
		Rear Main Seal Set	JV1698	1		
2.36	16.25:1 CR With 1495566 Crown And 1300241 Skirt 0R8913 Identifies Piston Pack 1.645" Main Bearing Length For Engines With A Single Valve Cover Contains OE# Lower Gasket Set 130-9035 Timing Cover Gasket Set 234-1866 OE Rod Bearing Number(s) 9Y7735 OE Main Bearing Number(s); 2170390	Kit Number	456-1059	456-5052		
		Cylinder Sleeve Assembly	226-1971	6	226-1971	6
		Main Bearings (Single, Pair)	MB-2848AL	7	MB-2848AL	7
		Undersizes	STD-10-25-50		STD-10-25-50	
		Connecting Rod Bearing (Pair)	CB-1622P	6	CB-1622P	6
		Undersizes	P-25-50		P-25-50	
		Thrust Washer Set	TW-583S	1	TW-583S	1
		Engine Cylinder Head Gasket Set / In-frame Overhaul Set	HS54214-1	1	EK3535VR	1
		Engine Conversion Gasket Set	CS54214-3	1		
		Engine Timing Cover Gasket Set	JV5089	1		
		Rear Main Seal Set	JV1698	1		
2.37	16.25:1 CR With 1495566 Crown And 1300241 Skirt 0R8913 Identifies Piston Pack 1.645" Main Bearing Length For Engines With A Single Valve Cover OE Rod Bearing Number(s) 9Y7735 OE Main Bearing Number(s); 2170390	Kit Number	456-1060	456-5052		
		Cylinder Sleeve Assembly	226-1971	6	226-1971	6
		Main Bearings (Single, Pair)	MB-2848AL	7	MB-2848AL	7
		Undersizes	STD-10-25-50		STD-10-25-50	
		Connecting Rod Bearing (Pair)	CB-1622P	6	CB-1622P	6
		Undersizes	P-25-50		P-25-50	
		Thrust Washer Set	TW-583S	1	TW-583S	1
		Engine Cylinder Head Gasket Set / In-frame Overhaul Set	HS54214-1	1	EK3535VR	1
		Engine Conversion Gasket Set	CS54214-5	1		
		Engine Timing Cover Gasket Set	JV5089	1		
		Rear Main Seal Set	JV1698	1		

LINE #	NOTES	PART DESCRIPTION	OVERHAUL	QTY	IN-FRAME	QTY
2	Engine Codes: '3406, 3406E' 6 Cyl, 14.6L / 893 CID, Bore 137.2mm / 5.400", Stroke 165.1mm / 6.500"					2
2.38	16.25:1 CR With 1495566 Crown And 1300241 Skirt 0R8913 Identifies Piston Pack 1.645" Main Bearing Length For Engines With A Single Valve Cover Contains OE# Lower Set 153-5527 Timing Cover Gasket Set 234-1866 OE Rod Bearing Number(s) 9Y7735 OE Main Bearing Number(s); 2170390	Kit Number	456-1061	456-5052		
		Cylinder Sleeve Assembly	226-1971	6	226-1971	6
		Main Bearings (Single, Pair)	MB-2848AL	7	MB-2848AL	7
		Undersizes	STD-10-25-50		STD-10-25-50	
		Connecting Rod Bearing (Pair)	CB-1622P	6	CB-1622P	6
		Undersizes	P-25-50		P-25-50	
		Thrust Washer Set	TW-583S	1	TW-583S	1
		Engine Cylinder Head Gasket Set / In-frame Overhaul Set	HS54214-1	1	EK3535VR	1
		Engine Conversion Gasket Set	CS54214-11	1		
		Engine Timing Cover Gasket Set	JV5089	1		
Rear Main Seal Set	JV1698	1				
2.39	16.25:1 CR With 1495566 Crown And 1300241 Skirt 0R8913 Identifies Piston Pack 1.645" Main Bearing Length For Engines With A Single Valve Cover Contains OE# Lower Set 153-5527 Timing Cover Gasket Set 233-6984 OE Rod Bearing Number(s) 9Y7735 OE Main Bearing Number(s); 2170390	Kit Number	456-1062	456-5052		
		Cylinder Sleeve Assembly	226-1971	6	226-1971	6
		Main Bearings (Single, Pair)	MB-2848AL	7	MB-2848AL	7
		Undersizes	STD-10-25-50		STD-10-25-50	
		Connecting Rod Bearing (Pair)	CB-1622P	6	CB-1622P	6
		Undersizes	P-25-50		P-25-50	
		Thrust Washer Set	TW-583S	1	TW-583S	1
		Engine Cylinder Head Gasket Set / In-frame Overhaul Set	HS54214-1	1	EK3535VR	1
		Engine Conversion Gasket Set	CS54214-11	1		
		Engine Timing Cover Gasket Set	JV5093	1		
Rear Main Seal Set	JV1698	1				
2.40	15.9:1 CR For Engines With 3 Individual Valve Covers With 2212305 Crown And 132666 Skirt Contains OE# Head Set 2486740 And Pan Gasket 4N1151(2) OE Rod Bearing Number(s) 9Y7735 OE Main Bearing Number(s); 2170390	Kit Number		456-5053		
		Cylinder Sleeve Assembly			226-1972	6
		Main Bearings (Single, Pair)			MB-2848AL	7
		Undersizes			STD-10-25-50	
		Connecting Rod Bearing (Pair)			CB-1622P	6
		Undersizes			P-25-50	
		Thrust Washer Set			TW-583S	1
In-frame Overhaul Set			EK3536	1		

LINE #	NOTES	PART DESCRIPTION	OVERHAUL	QTY	IN-FRAME	QTY
2	Engine Codes: '3406, 3406E' 6 Cyl, 14.6L / 893 CID, Bore 137.2mm / 5.400", Stroke 165.1mm / 6.500"					2
2.41	15.9:1 CR For Engines With A Single Valve Cover With 2212305 Crown And 132666 Skirt Contains OE# 2161252 Head Set And 4N1151(2) Pan Gasket OE Rod Bearing Number(s) 9Y7735 OE Main Bearing Number(s); 2170390	Kit Number			456-5054	
		Cylinder Sleeve Assembly			226-1972	6
		Main Bearings (Single, Pair)			MB-2848AL	7
		Undersizes			STD-10-25-50	
		Connecting Rod Bearing (Pair)			CB-1622P	6
		Undersizes			P-25-50	
		Thrust Washer Set			TW-583S	1
		In-frame Overhaul Set			EK3535VR	1
2.42	16.6:1 CR With 1807352 Crown And 1326663 Skirt Contains OE# 2533442, 2572754, 2969934, 3211418 Head Sets, 1685248 Pan Gasket And 2401614(24) Oil Pan Grommets OE Rod Bearing Number(s) 9Y7735 OE Main Bearing Number(s); 2170390	Kit Number			456-5055	
		Cylinder Sleeve Assembly			226-1969	6
		Main Bearings (Single, Pair)			MB-2848AL	7
		Undersizes			STD-10-25-50	
		Connecting Rod Bearing (Pair)			CB-1622P	6
		Undersizes			P-25-50	
		Thrust Washer Set			TW-583S	1
		In-frame Overhaul Set			EK3537	1

3	Engine Code: 'C15' 6 Cyl, 15.2L / 928 CID, Bore 137.2mm / 5.400", Stroke 171.0mm / 6.732"					3
3.1	For 1LW, 2WS, 6NZ Serial Number Prefixes Always Confirm With Exact Serial Number and Arrangement Number For Proper Parts Selection OE Rod Bearing Number(s) 9Y7735 OE Main Bearing Number(s); 2170390	Kit Number			456-1078	
		Cylinder Sleeve Assembly	226-1969	6		
		Main Bearings (Single, Pair)	MB-2848AL	7		
		Undersizes	STD-10-25-50			
		Connecting Rod Bearing (Pair)	CB-1622P	6		
		Undersizes	P-25-50			
		Thrust Washer Set	TW-583S	1		
		Engine Cylinder Head Gasket Set	HS54643-6	1		
		Engine Conversion Gasket Set	CS54643-1	1		
		Engine Timing Cover Gasket Set	JV5104	1		
		Rear Main Seal Set	JV1700	1		

LINE #	NOTES	PART DESCRIPTION	OVERHAUL	QTY	IN-FRAME	QTY
3	Engine Code: 'C15' 6 Cyl, 15.2L / 928 CID, Bore 137.2mm / 5.400", Stroke 171.0mm / 6.732"					3
3.2	18.0:1 CR Contains OE# Piston 3067460 Monotherm without Bushings For Serial number MSX-Up, BXS-Up OE Rod Bearing Number(s) 2243246 OE Main Bearing Number(s); 2170390	Kit Number			456-5089	
		Cylinder Sleeve Assembly			226-2054	6
		Main Bearings (Single, Pair)			MB-2848AL	7
		Undersizes			STD-10-25-50	
		Connecting Rod Bearing (Pair)			CB-1933P	6
		Undersizes			P-25	
		Thrust Washer Set			TW-583S	1
		In-frame Overhaul Set			EK3537	1
3.3	For JAS, JDK, LHX, MHP Serial Number Prefixes Isolator Pan Gasket Always Confirm With Exact Serial Number and Arrangement Number For Proper Parts Selection OE Rod Bearing Number(s) 9Y7735 OE Main Bearing Number(s); 2170390	Kit Number			456-5090	
		Cylinder Sleeve Assembly			226-2054	6
		Main Bearings (Single, Pair)			MB-2848AL	7
		Undersizes			STD-10-25-50	
		Connecting Rod Bearing (Pair)			CB-1622P	6
		Undersizes			P-25-50	
		Thrust Washer Set			TW-583S	1
		In-frame Overhaul Set			EK3537	1
3.4	For JAS, JDK, LHX, MHP Serial Number Prefixes Paper Oil Pan Gasket Always Confirm With Exact Serial Number and Arrangement Number For Proper Parts Selection OE Rod Bearing Number(s) 9Y7735 OE Main Bearing Number(s); 2170390	Kit Number			456-5091	
		Cylinder Sleeve Assembly			226-2054	6
		Main Bearings (Single, Pair)			MB-2848AL	7
		Undersizes			STD-10-25-50	
		Connecting Rod Bearing (Pair)			CB-1622P	6
		Undersizes			P-25-50	
		Thrust Washer Set			TW-583S	1
		In-frame Overhaul Set			EK3538	1
3.5	For MBN, MBV Serial Number Prefixes Isolator Pan Gasket Always Confirm With Exact Serial Number and Arrangement Number For Proper Parts Selection OE Rod Bearing Number(s) 9Y7735 OE Main Bearing Number(s); 2170390	Kit Number			456-5092	
		Cylinder Sleeve Assembly			226-2049	6
		Main Bearings (Single, Pair)			MB-2848AL	7
		Undersizes			STD-10-25-50	
		Connecting Rod Bearing (Pair)			CB-1622P	6
		Undersizes			P-25-50	
		Thrust Washer Set			TW-583S	1
		In-frame Overhaul Set			EK3537	1

LINE #	NOTES	PART DESCRIPTION	OVERHAUL	QTY	IN-FRAME	QTY
3	Engine Code: 'C15' 6 Cyl, 15.2L / 928 CID, Bore 137.2mm / 5.400", Stroke 171.0mm / 6.732"					3
3.6	For MBN, MBV Serial Number Prefixes Paper Oil Pan Gasket Always Confirm With Exact Serial Number and Arrangement Number For Proper Parts Selection OE Rod Bearing Number(s) 9Y7735 OE Main Bearing Number(s); 2170390	Kit Number			456-5093	
		Cylinder Sleeve Assembly			226-2049	6
		Main Bearings (Single, Pair)			MB-2848AL	7
		Undersizes			STD-10-25-50	
		Connecting Rod Bearing (Pair)			CB-1622P	6
		Undersizes			P-25-50	
		Thrust Washer Set			TW-583S	1
		In-frame Overhaul Set			EK3538	1

Model	No. Cyls.	Liter	CID	Bore (mm)	Bore (IN)	Stroke (mm)	Stroke (IN)	Line No.	Model	No. Cyls.	Liter	CID	Bore (mm)	Bore (IN)	Stroke (mm)	Stroke (IN)	Line No.
1140	8	8.6	522	114.3	4.500	104.1	4.1	19	C7	6	7.2	441	110.0	4.332	127.0	5.0	14
1145	8	8.6	522	114.3	4.500	104.1	4.1	19	C9	6	8.8	537	112.0	4.410	149.0	5.9	15
1150	8	9.4	573	114.3	4.500	114.3	4.5	18	D13000	6	20.4	1246	146.1	5.750	203.2	8.0	65
1160	8	10.4	636	114.3	4.500	127.0	5.0	16	D315	4	5.7	350	114.3	4.500	139.7	5.5	23
1670	4	5.7	350	114.3	4.500	139.7	5.5	30	D318	6	8.6	525	114.3	4.500	139.7	5.5	25
1673	6	8.6	525	114.3	4.500	139.7	5.5	28	D330	4	5.7	350	114.3	4.500	139.7	5.5	24
1673C	6	10.5	638	120.7	4.750	152.4	6.0	35	D330C	4	7.0	425	120.7	4.750	152.4	6.0	31
1674	6	10.5	638	120.7	4.750	152.4	6.0	39	D333	6	8.6	525	114.3	4.500	139.7	5.5	17
1693	6	14.6	893	137.2	5.400	165.1	6.5	56	D333C	6	10.5	638	120.7	4.750	152.4	6.0	33
3013	3	1.5	92	84.1	3.310	89.9	3.5	1	D334	6	10.5	638	120.7	4.750	152.4	6.0	38
3014	4	2.0	122	84.1	3.310	89.9	3.5	2	D336	8	11.5	700	114.3	4.500	140.0	5.5	22
3034	4	3.0	180	97.0	3.820	100.1	3.9	3	D339	4	13.6	831	146.1	5.750	203.2	8.0	64
3054	4	4.0	243	100.0	3.937	127.0	5.0	4	D340	4	9.8	595	137.2	5.400	165.1	6.5	47
3054C	4	4.4	269	104.9	4.130	127.0	5.0	9	D342	6	20.4	1246	146.1	5.750	203.2	8.0	63
3054E	4	4.4	269	104.9	4.130	127.0	5.0	8	D343	6	14.6	893	137.2	5.400	165.1	6.5	51
3056	6	6.0	365	100.0	3.937	127.0	5.0	5	D346	8	19.5	1191	137.2	5.400	165.1	6.5	50
3064	4	4.3	262	102.1	4.020	130.0	5.1	7	D348	12	29.3	1786	137.2	5.400	165.1	6.5	49
3066	6	6.4	389	102.0	4.016	130.0	5.1	6	D349	16	39.1	2382	137.2	5.400	165.1	6.5	48
3114	4	4.4	268	105.0	4.134	127.0	5.0	10	D353	6	24.2	1473	158.8	6.250	203.2	8.0	66
3116	6	6.6	403	105.0	4.134	127.0	5.0	11	D364	8	27.3	1662	146.1	5.750	165.1	6.5	60
3126	6	7.2	442	110.0	4.330	127.0	5.0	12	D375	8	27.3	1662	146.1	5.750	165.1	6.5	60
3126B	6	7.2	441	110.0	4.332	127.0	5.0	13	D379	8	32.2	1964	158.8	6.250	203.2	8.0	69
3145	8	8.6	522	114.3	4.500	104.1	4.1	29	D386	12	40.9	2493	146.1	5.750	203.2	8.0	59
3150	8	9.4	573	114.3	4.500	114.3	4.5	26	D397	12	40.9	2493	146.1	5.750	203.2	8.0	59
3160	8	10.4	636	114.3	4.500	127.0	5.0	16	D398	12	48.3	2946	158.8	6.250	203.2	8.0	68
3176	6	10.3	629	125.0	4.922	139.7	5.5	41	D399	16	64.4	3928	158.8	6.250	203.2	8.0	67
3204	4	2.5	318	114.3	4.500	127.0	5.0	27	D8841	4	13.6	831	146.1	5.750	203.2	8.0	61
3208	8	10.4	636	114.3	4.500	127.0	5.0	21	G3304	4	7.0	425	120.7	4.750	152.4	6.0	36
3304	4	7.0	425	120.7	4.750	152.4	6.0	34	G3306	6	10.5	638	120.7	4.750	152.4	6.0	37
3306	6	10.5	638	120.7	4.750	152.4	6.0	32	G333B	6	8.6	525	114.3	4.500	139.7	5.5	20
3406	6	14.6	893	137.2	5.400	165.1	6.5	53	G333C	6	8.6	525	114.3	4.500	139.7	5.5	20
3406E	6	14.6	893	137.2	5.400	165.1	6.5	53	G3406	6	14.6	893	137.2	5.400	165.1	6.5	45
3408	8	18.0	1099	137.2	5.400	152.4	6.0	54	G3412	12	27.0	1649	137.2	5.400	152.4	6.0	52
3412	12	27.0	1649	137.2	5.400	152.4	6.0	55	G342	6	20.4	1246	146.1	5.750	203.2	8.0	62
3456	6	15.8	996	139.7	5.500	171.5	6.8	57	G3508	8	34.7	2115	170.2	6.700	190.5	7.5	74
3508	8	34.7	2115	170.2	6.700	190.5	7.5	79	G3512	12	52.0	3173	170.2	6.700	190.5	7.5	75
3512	12	52.0	3173	170.2	6.700	190.5	7.5	78	G3516	16	69.0	4210	170.2	6.700	190.5	7.5	76
3516	16	69.0	4210	170.2	6.700	190.5	7.5	77	G353	6	24.2	1473	158.8	6.250	203.2	8.0	73
C10	6	10.3	629	125.0	4.922	139.7	5.5	40	G379	8	32.2	1964	158.8	6.250	203.2	8.0	72
C11	6	11.1	667	130.0	5.118	140.0	5.5	42	G398	12	48.3	2946	158.8	6.250	203.2	8.0	71
C12	6	12.0	732	130.0	5.118	150.0	5.9	43	G399	16	64.4	3298	158.8	6.250	203.2	8.0	70
C13	6	12.5	763	130.1	5.120	173.2	6.8	44									
C15	6	15.2	928	137.2	5.400	171.0	6.7	46									
C16	6	15.8	964	140.0	5.512	171.5	6.8	57									
C18	6	18.1	1106	145.0	5.709	183.0	7.2	58									

PART	NOTES	OE INTERCHANGE NUMBER	PART NUMBER	ORDER QTY
------	-------	-----------------------	-------------	-----------

1	Engine Code: '3013' 3 Cyl, 1.5L / 92 CID, Bore 84.1mm / 3.310", Stroke 89.9mm / 3.540"			1
----------	--	--	--	----------

Filters

Spin-on fuel filter		1006374 1174089 1383100	KC 227	1
---------------------	--	-------------------------------	--------	---

2	Engine Code: '3014' 4 Cyl, 2.0L / 122 CID, Bore 84.1mm / 3.310", Stroke 89.9mm / 3.540"			2
----------	---	--	--	----------

Filters

Spin-on fuel filter		1006374 1174089 1383100	KC 227	1
---------------------	--	-------------------------------	--------	---

3	Engine Code: '3034' 4 Cyl, 3.0L / 180 CID, Bore 97.0mm / 3.820", Stroke 100.1mm / 3.940"			3
----------	--	--	--	----------

Filters

Spin-on fuel filter		1006374 1174089 1383100	KC 227	1
---------------------	--	-------------------------------	--------	---

4	Engine Code: '3054' 4 Cyl, 4.0L / 243 CID, Bore 100.0mm / 3.937", Stroke 127.0mm / 5.000"			4
----------	---	--	--	----------

Filters

Spin-on oil filter		7W2327 7W6221 9Y4479	OC 37	1
		5C1791 7W2326 9Y4458	OC 42	1
Spin-on fuel filter		1006374 1174089 1383100	KC 227	1

5	Engine Code: '3056' 6 Cyl, 6.0L / 365 CID, Bore 100.0mm / 3.937", Stroke 127.0mm / 5.000"			5
----------	---	--	--	----------

Engine Gaskets

Engine Cylinder Head Gasket Set	Consolidated Set, Covers OE#s: Head Sets 1873615 And 2400205	See Note	HS54515•	1
---------------------------------	--	----------	----------	---

Filters

Spin-on oil filter		7W2327 7W6221 9Y4479	OC 37	1
--------------------	--	----------------------------	-------	---



PART	NOTES	OE INTERCHANGE NUMBER	PART NUMBER	ORDER QTY
------	-------	-----------------------	-------------	-----------

5 (cont.)	Engine Code: '3056' 6 Cyl, 6.0L / 365 CID, Bore 100.0mm / 3.937", Stroke 127.0mm / 5.000"			5 (cont.)
----------------------------	---	--	--	----------------------------

Filters

Spin-on fuel filter		1006374 1174089 1383100	KC 227	1
---------------------	--	-------------------------------	--------	---

6	Engine Code: '3066' 6 Cyl, 6.4L / 389 CID, Bore 102.0mm / 4.016", Stroke 130.0mm / 5.118"			6
----------	---	--	--	----------

Turbochargers

Turbocharger		5I8018	127 TC 15123 000	1
--------------	--	--------	------------------	---

Crankshaft

Crankshaft		1253005	247-5235	1
------------	--	---------	----------	---

7	Engine Code: '3064' 4 Cyl, 4.3L / 262 CID, Bore 102.1mm / 4.020", Stroke 130.0mm / 5.120"			7
----------	---	--	--	----------

Filters

Spin-on fuel filter		1006374 1174089 1383100	KC 227	1
---------------------	--	-------------------------------	--------	---

8	Engine Code: '3054E' 4 Cyl, 4.4L / 269 CID, Bore 104.9mm / 4.130", Stroke 127.0mm / 5.000"			8
----------	--	--	--	----------

Filters

Spin-on oil filter		5C1791 7W2326 9Y4458	OC 42	1
--------------------	--	----------------------------	-------	---

9	Engine Code: '3054C' 4 Cyl, 4.4L / 269 CID, Bore 104.9mm / 4.130", Stroke 127.0mm / 5.000"			9
----------	--	--	--	----------

Filters

Spin-on fuel filter		1006374 1174089 1383100	KC 227	1
---------------------	--	-------------------------------	--------	---

10	Engine Code: '3114' 4 Cyl, 4.4L / 268 CID, Bore 105.0mm / 4.134", Stroke 127.0mm / 5.000"			10
-----------	---	--	--	-----------

Cylinder Components

Cylinder Sleeve (Dry)		7C6208	226-4579	4
Piston	17.6:1 CR	1051710	224-3361	4



PART	NOTES	OE INTERCHANGE NUMBER	PART NUMBER	ORDER QTY
------	-------	-----------------------	-------------	-----------

10 (cont.)	Engine Code: '3114' 4 Cyl, 4.4L / 268 CID, Bore 105.0mm / 4.134", Stroke 127.0mm / 5.000"			10 (cont.)
-----------------------	---	--	--	-----------------------

Cylinder Components

Piston (Bare)		1051710	224-3361X	4
		1077563	224-3767X	4
	Exclusive		224-3767X.050MM	
Piston Skirt		2382716	224-3714X	4
	Exclusive		224-3714X.50MM	
Ring Set	Contains OE#'s: Top 1077787, Intermediate 4P1807, And Oil 4P1806	7E5213	S41771•	4
Piston Pin	40.000MM/1.5748" Outside Diameter , 85.000MM/3.346" Length, 24.000MM/0.945" Internal Diameter	7C0115	223-1853	4
	40.000MM/1.574" Outside Diameter, 85.000MM/3.346" Length, 20.500MM/0.807" Internal Diameter	7C3901	223-1930	4
Lock Ring	2 Per Package	7C0111	223-5516	4

Engine Gaskets

Engine Cylinder Head Gasket		6I4689	54215	1
Engine Valve Stem Seal Set	2 Per Package, Cost is Per Each Seal	1193036	B45898	8

Miscellaneous Gaskets

Engine Coolant Thermostat Seal		3S9643	GS27706	1
--------------------------------	--	--------	----------------	---

Bearings

Connecting Rod Bearing (Pair)		2246638	CB-1620P	4
		7C6976	CB-1620P-.25MM	
		7C6977	CB-1620P-.50MM	
Main Bearing Set	Standard Set Contains OE#'s: 1011530(3), 1077708, And 2124893, 24MM Set Contains OE#'s 1450163(3),1450162 And 2295153, 50MM Set Contains OE#'s 1650165(3), 1450164 And 2295154	See Note	MS-2064P	1
		See Note	MS-2064P-.25MM	
		See Note	MS-2064P-.50MM	
Main Bearings (Single, Pair)		1011530	MB-3454P	3
		1077708	MB-3455P	1
		2124893	MB-3456P•	1
Piston Pin Bushing		2W0027	223-3695	4
Camshaft Bearing Set	Contains OE#'s: 2W7213(4) And 216-5586	See Note	SH-1765S	1

Valve Train & Ancillary

Valve (Intake)	1.850" Head Diameter, 6.976" Length, .315" Stem, 30° Seat, 1 Groove, 12 Valve	7W8064	211-4193	4
----------------	---	--------	-----------------	---

Filters

Spin-on fuel filter		1006374 1174089 1383100	KC 227	1
---------------------	--	-------------------------------	---------------	---



PART	NOTES	OE INTERCHANGE NUMBER	PART NUMBER	ORDER QTY
------	-------	-----------------------	-------------	-----------

11	Engine Code: '3116' 6 Cyl, 6.6L / 403 CID, Bore 105.0mm / 4.134", Stroke 127.0mm / 5.000"; Turbocharged			11
-----------	--	--	--	-----------

Cylinder Components

Cylinder Sleeve (Dry)		7C6208	226-4579	6
Piston	16.0:1 CR	4P2990	224-3360	6
Piston (Bare)	16.0:1 CR	4P2990	224-3360X	6
		7E3428	224-3749X	6
		Exclusive	224-3749X.50MM	
		6I1144	224-3768X	6
Piston Skirt		1014495	224-3807X•	6
		2382716	224-3714X	6
Piston Skirt		Exclusive	224-3714X.50MM	
Ring Set	Contains OE#s: Top 1077787, Intermediate 4P1807, And Oil 4P1806	7E5213	S41771•	6
Piston Pin	40.000MM/1.5748" Outside Diameter , 85.000MM/3.346" Length, 24.000MM/0.945" Internal Diameter	7C0115	223-1853	6
	40.000MM/1.574" Outside Diameter, 85.000MM/3.346" Length, 20.500MM/0.807" Internal Diameter	7C3901	223-1930	6
Lock Ring	2 Per Package	7C0111	223-5516	6

Engine Gaskets

Engine Cylinder Head Gasket Set		1002953	HS54156-1	1
	Consolidated Set	1002951 1002952 3E3340	HS54192-2	1
		2646898	HS54192-3	1
		7X2829	HS54192-6	1
Engine Conversion Gasket Set		2664325	CS54192	1
In-frame Overhaul Set	Covers OE# Head Sets 2812813, 2682932 And Pan Gasket 2163816	See Note	EK3529	1
	Covers OE#S: Head Set 2648929 And Pan Gasket 2163816, For Non Cover Plate Engines	See Note	EK3530	1
Engine Cylinder Head Gasket		1077832	54156	1
Engine Valve Stem Seal Set	2 Per Package, Cost is Per Each Seal	1193036	B45898	12
Engine Oil Pan Gasket Set	Includes 7W5340 Flange Gasket And 3P1156 O-Rings (2)	2613816	OS32216	1

Miscellaneous Gaskets

Engine Coolant Thermostat Seal		3S9643	GS27706	1
--------------------------------	--	--------	----------------	---

Bearings

Connecting Rod Bearing (Pair)		2246638	CB-1620P	6
		7C6976	CB-1620P-.25MM	
		7C6977	CB-1620P-.50MM	
Main Bearing Set		See Note	MS-2065P	1



PART	NOTES	OE INTERCHANGE NUMBER	PART NUMBER	ORDER QTY
------	-------	-----------------------	-------------	-----------

11 (cont.)	Engine Code: '3116' 6 Cyl, 6.6L / 403 CID, Bore 105.0mm / 4.134", Stroke 127.0mm / 5.000"; Turbocharged	11 (cont.)		
-----------------------------	---	-----------------------------	--	--

Bearings

Main Bearing Set	Early Blocks With Grooved Main Bearing Bores , Standard Size Set Contains OE# 1011530(3), 1077708(3), And 2124893, .25MM Undersize Set Contains OE# 1450162(3), 1450163(3), And 2295153, .50MM Undersize Set Contains OE# 1450164(3),1450165(3), And 2295154	See Note	MS-2065P-.25MM		
		See Note	MS-2065P-.50MM		
	Late Block Without Groove Main Bearing Bores , Standard Set Contains OE#'s 1077708(6)And 2124893, .25MM Undersize Set Contains OE# 1450162(6) And 2295153, .50MM Undersize Set Contains OE# 1450164(6) And 2295154	1969519	MS-2219P		1
		See Note	MS-2219P-.25MM		
	See Note	MS-2219P-.50MM			
Main Bearings (Single, Pair)	MS-2065P Early Blocks With Grooved Main Bearing Bores Use 3 MB-3454P	1011530	MB-3454P	1	
	MS-2065P Early Blocks With Grooved Main Bearing Bores Use 3 MB-3455P, MS-2219P Late Block Without Groove Main Bearing Bores Use 6 MB-3455P	1077708	MB-3455P	1	
	MS-2065P Early Blocks With Grooved Main Bearing Bores Use 1 MB-3456P , MS-2219P Late Blocks Without Groove Main Bearing Bores Use 1 MB-3456P	2124893	MB-3456P•	1	
Piston Pin Bushing		2W0027	223-3695	6	
Camshaft Bearing Set	Contains OE#'s: 2W7213(6) And 2165586	See Note	SH-1764S	1	

Valve Train & Ancillary

Valve (Intake)	1.850" Head Diameter, 6.976" Length, .315" Stem, 30° Seat, 1 Groove, 12 Valve	7W8064	211-4193	6
-----------------------	---	--------	-----------------	---

Filters

Spin-on oil filter		3Y0900	OC 121	1
Spin-on fuel filter		1006374	KC 227	1
		1174089		
		1383100		
		6L7440	KC 28	1

Turbochargers

Turbocharger		0R9802 10R0364	127 TC 21101 000	1
---------------------	--	-------------------	-------------------------	---

Crankshaft

Crankshaft		2275480	247-5203	1
-------------------	--	---------	-----------------	---

12	Engine Code: '3126' 6 Cyl, 7.2L / 442 CID, Bore 110.0mm / 4.330", Stroke 127.0mm / 5.000"	12		
-----------	---	-----------	--	--

Cylinder Components

Piston Skirt		2382726	224-3794X	6
		Exclusive	224-3794X.020	
Ring Set	Contains OE#'s: Top 1979386, Intermediate 1979277, And Oil 1979354, 3.5MM Top Ring	See Note	S42205•	6



PART	NOTES	OE INTERCHANGE NUMBER	PART NUMBER	ORDER QTY
------	-------	-----------------------	-------------	-----------

12 (cont.)	Engine Code: '3126' 6 Cyl, 7.2L / 442 CID, Bore 110.0mm / 4.330", Stroke 127.0mm / 5.000"			12 (cont.)
-----------------------	---	--	--	-----------------------

Engine Gaskets

Engine Conversion Gasket Set		2664325	CS54192	1
	Consolidated Set	2974835 2978934 3259639 3341066	CS54841-1	1
Valve Stem Seal (Intake)	3 Valve Version 12 Per Package, Cost is Per Each Seal	1478214	B45957	12
Valve Stem Seal (Exhaust)	3 Valve Version 12 Per Package, Cost is Per Each Seal	1632478	B45978	6
Engine Oil Pan Gasket Set	Includes 7W5340 Flange Gasket And 3P1156 O-Rings (2)	2613816	OS32216	1
Engine Timing Cover Gasket Set	Consolidated Set	2974827 3125775 3255169	JV5165	1
Engine Timing Cover Seal		4R8831	67950	1
Rear Main Seal Set	Consolidated Set	2900528 2919157	JV1731	1
		2908676	JV1732	1
Rear Main Seal	Clockwise Rotation	2223910	67948	1
		2223909	67956	1

Miscellaneous Gaskets

Engine Oil Cooler Gasket Set	Consolidated Set	2974829 3132169 3451909	GS33655	1
-------------------------------------	------------------	-------------------------------	----------------	---

Bearings

Connecting Rod Bearing (Pair)		2246638	CB-1620P	6
		7C6976	CB-1620P-.25MM	
		7C6977	CB-1620P-.50MM	
Main Bearing Set	Early Blocks With Grooved Main Bearing Bores , Standard Size Set Contains OE# 1011530(3), 1077708(3), And 2124893, .25MM Undersize Set Contains OE# 1450162(3), 1450163(3), And 2295153, .50MM Undersize Set Contains OE# 1450164(3),1450165(3), And 2295154	See Note	MS-2065P	1
		See Note	MS-2065P-.25MM	
		See Note	MS-2065P-.50MM	
	Late Block Without Groove Main Bearing Bores , Standard Set Contains OE#'s 1077708(6)And 2124893, .25MM Undersize Set Contains OE# 1450162(6) And 2295153, .50MM Undersize Set Contains OE# 1450164(6) And 2295154	1969519	MS-2219P	1
		See Note	MS-2219P-.25MM	
		See Note	MS-2219P-.50MM	
Main Bearings (Single, Pair)	MS-2065P Early Blocks With Grooved Main Bearing Bores Use 3 MB-3454P	1011530	MB-3454P	1
	MS-2065P Early Blocks With Grooved Main Bearing Bores Use 3 MB-3455P, MS-2219P Late Block Without Groove Main Bearing Bores Use 6 MB-3455P	1077708	MB-3455P	1
	MS-2065P Early Blocks With Grooved Main Bearing Bores Use 1 MB-3456P , MS-2219P Late Blocks Without Groove Main Bearing Bores Use 1 MB-3456P	2124893	MB-3456P•	1



PART	NOTES	OE INTERCHANGE NUMBER	PART NUMBER	ORDER QTY
------	-------	-----------------------	-------------	-----------

12 (cont.)	Engine Code: '3126' 6 Cyl, 7.2L / 442 CID, Bore 110.0mm / 4.330", Stroke 127.0mm / 5.000"			12 (cont.)
-----------------------------	---	--	--	-----------------------------

Bearings

Piston Pin Bushing		2W0027	223-3695	6
Camshaft Bearing Set	Contains OE#'s: 2W7213(6) And 2165586	See Note	SH-1764S	1

Filters

Spin-on oil filter		1R0716	OC 484	1
Spin-on fuel filter		1006374 1174089 1383100	KC 227	1
	Water Separator	1290373 1335671 1335673	KC 430D	1

Turbochargers

Turbocharger		0R9865	127 TC 21005 000	1
		0R7569	127 TC 21208 000	1
		10R1795 2375271	127 TC 21211 000	1
		0R7573 1918019	127 TC 21213 000	1
Turbocharger Service Kit		Exclusive	127 TS 21206 100	1

Crankshaft

Crankshaft		2275480	247-5203	1
------------	--	---------	----------	---

13	Engine Code: '3126B' 6 Cyl, 7.2L / 441 CID, Bore 110.0mm / 4.332", Stroke 127.0mm / 5.000"; Turbocharged-Intercooled			13
-----------	--	--	--	-----------

Cylinder Components

Cylinder Sleeve (Dry)		1077604	226-4626•	6
Piston		2382729	224-3806X•	6
Piston Skirt		2382726	224-3794X	6
		Exclusive	224-3794X.020	
Piston Pin	40.00MM/1.575" Outside Diameter, 90.00MM/3.543" Length, 20MM/0.878" Inside Diameter	1687226	223-1964	6

Engine Gaskets

Engine Intake Manifold Gasket Set		1443472	MS19856	1
Engine Timing Cover Seal		4R8831	67950	1

Bearings

Connecting Rod Bearing (Pair)		2246638	CB-1620P	6
		7C6976	CB-1620P-.25MM	
		7C6977	CB-1620P-.50MM	



* For our latest product offerings go to <http://catalog.mahle-aftermarket.com/us/>

PART	NOTES	OE INTERCHANGE NUMBER	PART NUMBER	ORDER QTY
------	-------	-----------------------	-------------	-----------

13 (cont.)	Engine Code: '3126B' 6 Cyl, 7.2L / 441 CID, Bore 110.0mm / 4.332", Stroke 127.0mm / 5.000"; Turbocharged-Intercooled			13 (cont.)
-----------------------	--	--	--	-----------------------

Bearings

Main Bearing Set	Late Block Without Groove Main Bearing Bores , Standard Set Contains OE#'s 1077708(6)And 2124893, .25MM Undersize Set Contains OE# 1450162(6) And 2295153, .50MM Undersize Set Contains OE# 1450164(6) And 2295154	1969519	MS-2219P	1
		See Note	MS-2219P-.25MM	
		See Note	MS-2219P-.50MM	
Main Bearings (Single, Pair)		1077708	MB-3455P	6
		2124893	MB-3456P•	1
Camshaft Bearing Set	Contains OE#'s: 2W7213(6) And 2165586	See Note	SH-1764S	1

Turbochargers

Turbocharger		0R9865	127 TC 21005 000	1
		0R7569	127 TC 21208 000	1
		0R7573 1918019	127 TC 21213 000	1

14	Engine Code: 'C7' 6 Cyl, 7.2L / 441 CID, Bore 110.0mm / 4.332", Stroke 127.0mm / 5.000"; Turbocharged			14
-----------	---	--	--	-----------

Cylinder Components

Cylinder Sleeve (Dry)		1077604	226-4626•	6
Piston (Bare)		2382698	224-3791X	6
		2629288	224-3803X	6
		2627330	224-3804X	6
				6
Piston Skirt		2382726	224-3794X	6
		Exclusive	224-3794X.020	6
Ring Set	Contains OE#'s: Top 1979386, Intermediate 1979277, And Oil 1979354, 3.5MM Top Ring	See Note	S42205•	6
Piston Pin		1687224	223-1962	6
	40.00MM/1.575" Outside Diameter, 90.00MM/3.543" Length, 20MM/0.878" Inside Diameter	1687226	223-1964	6
Lock Ring	2 Per Package	7C0111	223-5516	6
	2 Per Package	7X2908	223-5543	6
	2 Per Package	1979372	223-5547	6

Engine Gaskets

Engine Cylinder Head Gasket Set	Consolidated Set	3085931 3086320 3086346	HS54841-1	1
	Consolidated Set	3205170 3259472 3313950	HS54841-2	1
	Consolidated Set	297-5350 2974830 298-2111	HS54841-3	1



PART	NOTES	OE INTERCHANGE NUMBER	PART NUMBER	ORDER QTY
------	-------	-----------------------	-------------	-----------

14 (cont.)	Engine Code: 'C7' 6 Cyl, 7.2L / 441 CID, Bore 110.0mm / 4.332", Stroke 127.0mm / 5.000"; Turbocharged			14 (cont.)
-----------------------	---	--	--	-----------------------

Engine Gaskets

Engine Cylinder Head Gasket Set	Consolidated Set	3085691 3184327 3312891	HS54841-4	1
Engine Conversion Gasket Set	Consolidated Set	2974835 2978934 3259639 3341066	CS54841-1	1
	Consolidated Set, Isolation Pan Gasket	2975406 3086327 3259469	CS54841-2	1
Engine Valve Cover Gasket	Valve Cover To Rocker Housing	2720388	VS50626	1
	Rocker Housing To Head	3044924	VS50630	1
	Seal Ribbon, 2.3 Meters Long	2175701	VS50631	1
Valve Stem Seal (Intake)	12 Per Package, Cost is Per Each Seal	1478214	B45957	12
Valve Stem Seal (Exhaust)	12 Per Package, Cost is Per Each Seal	1632478	B45978	6
Engine Intake Manifold Gasket Set		1443472	MS19856	1
Exhaust Manifold Gasket Set		2721956	MS19855	6
Engine Oil Pan Gasket Set	Includes 7W5340 Flange Gasket And 3P1156 O-Rings (2)	2613816	OS32216	1
	Isolator Pan Gasket	1662905	OS32412	1
Engine Timing Cover Gasket Set	Consolidated Set, Includes Rear Seal OE# 2457339	2974828 2975867 2976163 2976380 2978786 3085802 3085822 3134422	JV5164	1
	Consolidated Set	2974827 3125775 3255169	JV5165	1
Engine Timing Cover Seal		2457339	67949	1
		4R8831	67950	1
Rear Main Seal Set	Consolidated Set	2900528 2919157	JV1731	1
		2908676	JV1732	1
Rear Main Seal	Clockwise Rotation	2223910	67948	1
		2223909	67956	1

Miscellaneous Gaskets

Turbocharger Mounting Gasket Set	Consolidated Set	2690064 3125932	GS33660	1
----------------------------------	------------------	--------------------	---------	---



PART	NOTES	OE INTERCHANGE NUMBER	PART NUMBER	ORDER QTY
------	-------	-----------------------	-------------	-----------

14 (cont.)	Engine Code: 'C7' 6 Cyl, 7.2L / 441 CID, Bore 110.0mm / 4.332", Stroke 127.0mm / 5.000"; Turbocharged			14 (cont.)
-----------------------------	---	--	--	-----------------------------

Miscellaneous Gaskets

Turbocharger Mounting Gasket Set	Consolidated Set	3184348 3189648 3255171	GS33666	1
Engine Oil Cooler Gasket Set	Consolidated Set	2974829 3132169 3451909	GS33655	1
Fuel Injector Seal Kit	Contains Fuel Injector O-Rings 1482903, 1093207, 1698598, 290730, And 1495240	See Note	GS33657	6
	Contains Fuel Injector O-Rings 2634016 And 2730302	See Note	GS33658	6
Engine Water Pump Housing Gasket		Exclusive	GS33659	1

Bearings

Connecting Rod Bearing (Pair)		2246638	CB-1620P	6
		7C6976	CB-1620P-.25MM	
		7C6977	CB-1620P-.50MM	
Main Bearing Set	Late Block Without Groove Main Bearing Bores , Standard Set Contains OE#'s 1077708(6)And 2124893, .25MM Undersize Set Contains OE# 1450162(6) And 2295153, .50MM Undersize Set Contains OE# 1450164(6) And 2295154	1969519	MS-2219P	1
		See Note	MS-2219P-.25MM	
		See Note	MS-2219P-.50MM	
Main Bearings (Single, Pair)		1077708	MB-3455P	6
		2124893	MB-3456P	1
Piston Pin Bushing		2W0027	223-3695	6
Camshaft Bearing Set	Contains OE#'s: 2W7213(6) And 2165586	See Note	SH-1764S	1

Turbochargers

Turbocharger		10R1888	127 TC 21204 000	1
		10R1103 10R3280	127 TC 21206 000	1
		10R1795 2375271	127 TC 21211 000	1

15	Engine Code: 'C9' 6 Cyl, 8.8L / 537 CID, Bore 112.0mm / 4.410", Stroke 149.0mm / 5.866"; Turbocharged			15
-----------	---	--	--	-----------

Cylinder Components

Lock Ring	2 Per Package	7X2908	223-5543	6
------------------	---------------	--------	-----------------	---

Engine Gaskets

Engine Valve Cover Gasket	Rocker Gasket, Seal Stock, 3 Meters Long, 4.19MM X 9.52MM	5P5678	VS50518	1
----------------------------------	---	--------	----------------	---

Bearings

Connecting Rod Bearing (Pair)		2133190	CB-1932P	6
--------------------------------------	--	---------	-----------------	---



PART	NOTES	OE INTERCHANGE NUMBER	PART NUMBER	ORDER QTY
------	-------	-----------------------	-------------	-----------

15 (cont.)	Engine Code: 'C9' 6 Cyl, 8.8L / 537 CID, Bore 112.0mm / 4.410", Stroke 149.0mm / 5.866"; Turbocharged			15 (cont.)
-----------------------------	---	--	--	-----------------------------

Bearings

Connecting Rod Bearing (Pair)		2822478	CB-1932P-.25MM	
Main Bearings (Single, Pair)		1512939	MB-3977P•	7
		2821771	MB-3977P-.25MM	
Thrust Washer Set	2 Per Package	2463150	TW-702S•	1
Piston Pin Bushing		1608194	223-3702	6
Camshaft Bearing	Intermediate, Position 2-3	2035805	SH-2174	2
	Rear, Position Number 4	2036090	SH-2175	1
	Front, 3406 Position Number 1	2165586	SH-2176	1

Filters

Spin-on fuel filter	Water Separator	1290373 1335671 1335673	KC 430D	1
---------------------	-----------------	-------------------------------	----------------	---

Turbochargers

Turbocharger		10R8733	127 TC 21202 000	1
--------------	--	---------	-------------------------	---

Crankshaft

Crankshaft	With Gears	2611544	247-5232	1
------------	------------	---------	-----------------	---

16	Engine Codes: '1160, 3160' 8 Cyl, 10.4L / 636 CID, Bore 114.3mm / 4.500", Stroke 127.0mm / 5.000"			16
-----------	---	--	--	-----------

Cylinder Components

Cylinder Sleeve	Semi-Finished, Install Bore and Hone Sleeve, Sleeve Has .0265"-.0295" Extra Stock Of Material On ID Of Sleeve For Boring, 4.500" Bore, .0937" Wall, 7.740" Length, Honable	9N6275	226-4487	8
Ring Set	3 Ring, #1 Keystone #2 Rectangular 2@.094", 1@0.187", Plasma-Moly Ductile Iron	Exclusive	S41685•	8
		Exclusive	S41685.040	
	Plasma-Moly Ductile Iron, 2 Ring Piston	2W8265	S41883	8
		2W8646	S41883.020	
Piston Pin	1.499" Diameter, 3.205" Length	7N9803	223-1836	8
Lock Ring	2 Per Package	8N7294	223-5506	8

Bearings

Connecting Rod Bearing (Pair)	.955" Bearing Length	9N5923	CB-972P	8
		9N5924	CB-972P-10	
		9N5925	CB-972P-20	
		Exclusive	CB-972P-30	
Main Bearing Set	Contains Upper Half Flanged Bearing, 1.253" Length Upper Half Flanged, Standard Size Set Contains OE#s: 4W8092(4) And 4W8091, .010" Undersize Set Contains	See Note	MS-1421P	1
		See Note	MS-1421P-10	



PART	NOTES	OE INTERCHANGE NUMBER	PART NUMBER	ORDER QTY
------	-------	-----------------------	-------------	-----------

16 (cont.)	Engine Codes: '1160, 3160' 8 Cyl, 10.4L / 636 CID, Bore 114.3mm / 4.500", Stroke 127.0mm / 5.000"	16 (cont.)
-----------------------------	---	-----------------------------

Bearings

Main Bearing Set	OE#s: 8N9022(4) And 8N9065, .020" Undersize Set Contains OE#s: 8N9023(4) And 8N9064	See Note	MS-1421P-20	1
		Exclusive	MS-1421P-30	
	Contains Upper Half Flanged Bearing, 1.253" Length Upper Half Flanged, .010" Oversize On OD, Standard Size Set Contains OE#s: 8N9021(4) And 8N9067, .020" Undersize Set Contains OE#s: 8N9019(4) And 8N9068	See Note	MS-1592P	
		See Note	MS-1592P-20	
Main Bearings (Single, Pair)	Straight Shell Bearing	4W8092	MB-2734P	4
		8N9022	MB-2734P-10	
		8N9023	MB-2734P-20	
		4W8092(.030)	MB-2734P-30	
	Flanged Bearing	4W8091	MB-2735P	1
		8N9065	MB-2735P-10	
8N9064		MB-2735P-20		
Piston Pin Bushing	For Non-Taper Rod	8N0701	223-3569	8
Camshaft Bearing Set	5 Per Package	9N5246	SH-1245S	1

Valve Train & Ancillary

Valve (Intake)	2.094" Head Diameter, 5.698" Length, .3725" Stem, 45°, 2 Groove, Natural And Turbo	9L9851	211-2455	8
Valve (Exhaust)	1.804" Head Diameter, 5.693" Length, .3715" Stem, 45°, 2 Groove, Naturally Aspirated	9L7683	211-2456	8
Valve Guide (Intake)	2.625" OD, For Upgrading To A Replaceable Guide	6I2864	217-3307	8
Valve Guide (Exhaust)	2.9765" OD, For Upgrading To A Replaceable Guide	6I2865	217-3306	8
Valve Seat Insert	Exhaust, 1.625" ID, 1.912" OD, .281" Depth	9N2837	218-7807	8
	Intake, 1.859" ID, 2.150" OD, .2920" Depth	2N8943	218-7808	8

Crankshaft

Crankshaft	With Gear	9L6266	247-5216	1
-------------------	-----------	--------	-----------------	---

17	Engine Code: 'D333' 6 Cyl, 8.6L / 525 CID, Bore 114.3mm / 4.500", Stroke 139.7mm / 5.500"	17
-----------	---	-----------

Cylinder Components

Cylinder Sleeve Assembly	Contains Piston OE# 2M5558	9S8704	226-1685	6
Cylinder Sleeve	With Seals	8S2240	226-4518	6
Cylinder Sleeve (Bare)		8S2240	226-4518X	6
Piston (Bare)	No Heat Plug	2M5558	224-3202X	6
Ring Set	3 Ring Piston, Contains OE#s: Top 3S4027, Intermediate 3S4026, And Oil 9S4867	9S8704	S40574	6
Piston Pin	1.500" Diameter, 3.730" Length	7N9804	223-1829	6
Lock Ring	2 Per Package	1S9543	223-5502	6
	2 Per Package	9H4015	223-5503	6



Sealing Products

PART	NOTES	OE INTERCHANGE NUMBER	PART NUMBER	ORDER QTY
------	-------	-----------------------	-------------	-----------

17 (cont.)	Engine Code: 'D333' 6 Cyl, 8.6L / 525 CID, Bore 114.3mm / 4.500", Stroke 139.7mm / 5.500"			17 (cont.)
-----------------------	---	--	--	-----------------------

Engine Gaskets

Engine Oil Pan Gasket Set	Oil Pan Gasket Only, 1 Piece Oil Pan, Segmented For Both 4 And 6 Cylinder Engines	1694200	OS32166	1
	2 Piece Oil Pan	1694199	OS32224	1

Bearings

Connecting Rod Bearing (Pair)		4W5739	CB-619AL	6
		8N8221	CB-619AL-10	
		8N8222	CB-619AL-20	
		8N8223	CB-619AL-30	
		Exclusive	CB-619AL-50	
Main Bearing Set	Contains Straight Shell Bearings, Requires Thrust Washers, MS-1114AL Contains OE# 2323233(7), MS-1114AL-10 Contains OE# 3148652(7), MS-1114AL-20 Contains OE# 8N8226(7), And MS-1114AL-30 Contains OE# 8N8227(7)	1969534	MS-1114AL	1
		See Note	MS-1114AL-10	
		See Note	MS-1114AL-20	
		See Note	MS-1114AL-30	
	Contains Flanged Bearing, Standard Size Set Contains OE# 2323233(6), 7S9439, .010" Undersize Set Contains OE# 3148652(6), 7S9844, .020" Undersize Set Contains OE# 8N8226(6), 7S9845	See Note	MS-958AL	1
		See Note	MS-958AL-10	
		See Note	MS-958AL-20	
	Main Bearings (Single, Pair)	Straight Shell Bearing	2323233	MB-2580AL
3148652			MB-2580AL-10	
8N8226			MB-2580AL-20	
8N8227			MB-2580AL-30	
Flanged Bearing		7S9439	MB-2581AL	1
		7S9844	MB-2581AL-10	
		7S9845	MB-2581AL-20	
Thrust Washer Set	2 Per Package	6N8940	TW-252S	1
	2 Per Package, .232" Oversize Length	9S3037	TW-409S	1
	2 Per Package, .215" Oversize Length	1003652	TW-693S	1
Thrust Washer (Individual)		6N8940	MB-2580W	2
	.232" Oversize Length	9S3037	MB-3057W	2
	.215" Oversize Length	1003652	MB-3451W	2

Valve Train & Ancillary

Valve (Exhaust)	Stellite, 1.770" Head Diameter, 6.562" Length, .3717" Stem, 30° Seat, 2 Groove	9M4163	211-2489	6
Valve Guide (Intake & Exhaust)	.3771" ID, .6577" OD, 3.220" Length, Old Style Flanged	5S4507	217-4053	12

Filters

Spin-on fuel filter		6L7440	KC 28	1
----------------------------	--	--------	--------------	---



PART	NOTES	OE INTERCHANGE NUMBER	PART NUMBER	ORDER QTY
------	-------	-----------------------	-------------	-----------

18	Engine Code: '1150' 8 Cyl, 9.4L / 573 CID, Bore 114.3mm / 4.500", Stroke 114.3mm / 4.500"			18
-----------	---	--	--	-----------

Cylinder Components

Cylinder Sleeve	Semi-Finished, Install Bore and Hone Sleeve, Sleeve Has .0265"-.0295" Extra Stock Of Material On ID Of Sleeve For Boring, 4.500" Bore, .0937" Wall, 7.740" Length, Honable	9N6275	226-4487	8
Ring Set	Plasma-Moly Ductile Iron, 3 Ring Keystone, Contains OE#s: Top 1303987, Intermediate 1303997, And Oil 7E9297	Exclusive	S41542	8
		Exclusive	S41542.020	
	Plasma-Moly Ductile Iron, 2 Ring Piston	2W8265	S41883	8
		2W8646	S41883.020	
Piston Pin	1.499" Diameter, 3.205" Length	7N9803	223-1836	8
Lock Ring	2 Per Package	8N7294	223-5506	8

Engine Gaskets

Engine Cylinder Head Gasket		7W2059	54151	2
------------------------------------	--	--------	--------------	---

Bearings

Connecting Rod Bearing (Pair)	.955" Bearing Length	9N5923	CB-972P	8
		9N5924	CB-972P-10	
		9N5925	CB-972P-20	
		Exclusive	CB-972P-30	
Main Bearing Set	Contains Upper Half Flanged Bearing, 1.253" Length Upper Half Flanged, Standard Size Set Contains OE#s: 4W8092(4) And 4W8091, .010" Undersize Set Contains OE#s: 8N9022(4) And 8N9065, .020" Undersize Set Contains OE#s: 8N9023(4) And 8N9064	See Note	MS-1421P	1
		See Note	MS-1421P-10	
		See Note	MS-1421P-20	
		Exclusive	MS-1421P-30	
	Contains Upper Half Flanged Bearing, 1.253" Length Upper Half Flanged, .010" Oversize On OD, Standard Size Set Contains OE#s: 8N9021(4) And 8N9067, .020" Undersize Set Contains OE#s: 8N9019(4) And 8N9068	See Note	MS-1592P	1
		See Note	MS-1592P-20	
Main Bearings (Single, Pair)	Straight Shell Bearing	4W8092	MB-2734P	4
		8N9022	MB-2734P-10	
		8N9023	MB-2734P-20	
		4W8092(.030)	MB-2734P-30	
	Flanged Bearing	4W8091	MB-2735P	1
		8N9065	MB-2735P-10	
		8N9064	MB-2735P-20	
Camshaft Bearing Set	5 Per Package	9N5246	SH-1245S	1

Valve Train & Ancillary

Valve (Intake)	2.094" Head Diameter, 5.698" Length, .3725" Stem, 45°, 2 Groove, Natural And Turbo	9L9851	211-2455	8
Valve (Exhaust)	1.804" Head Diameter, 5.693" Length, .3715" Stem, 45°, 2 Groove, Naturally Aspirated	9L7683	211-2456	8
Valve Guide (Intake)	2.625" OD, For Upgrading To A Replaceable Guide	6I2864	217-3307	8
Valve Guide (Exhaust)	2.9765" OD, For Upgrading To A Replaceable Guide	6I2865	217-3306	8



PART	NOTES	OE INTERCHANGE NUMBER	PART NUMBER	ORDER QTY
------	-------	-----------------------	-------------	-----------

18 (cont.)	Engine Code: '1150' 8 Cyl, 9.4L / 573 CID, Bore 114.3mm / 4.500", Stroke 114.3mm / 4.500"			18 (cont.)
-----------------------------	---	--	--	-----------------------------

Valve Train & Ancillary

Valve Seat Insert	Exhaust, 1.625" ID, 1.912" OD, .281" Depth	9N2837	218-7807	8
--------------------------	--	--------	-----------------	---

19	Engine Codes: '1140, 1145' 8 Cyl, 8.6L / 522 CID, Bore 114.3mm / 4.500", Stroke 104.1mm / 4.100"			19
-----------	--	--	--	-----------

Cylinder Components

Ring Set	Plasma-Moly Ductile Iron, 2 Ring Piston	2W8265	S41883	8
		2W8646	S41883.020	

Bearings

Connecting Rod Bearing (Pair)	.955" Bearing Length	9N5923	CB-972P	8
		9N5924	CB-972P-10	
		9N5925	CB-972P-20	
		Exclusive	CB-972P-30	
Main Bearing Set	Contains Upper Half Flanged Bearing, 1.253" Length Upper Half Flanged, Standard Size Set Contains OE#'s: 4W8092(4) And 4W8091, .010" Undersize Set Contains OE#'s: 8N9022(4) And 8N9065, .020" Undersize Set Contains OE#'s: 8N9023(4) And 8N9064	See Note	MS-1421P	1
		See Note	MS-1421P-10	
		See Note	MS-1421P-20	
		Exclusive	MS-1421P-30	
Main Bearing Set	Contains Upper Half Flanged Bearing, 1.253" Length Upper Half Flanged, .010" Oversize On OD, Standard Size Set Contains OE#'s: 8N9021(4) And 8N9067, .020" Undersize Set Contains OE#'s: 8N9019(4) And 8N9068	See Note	MS-1592P	1
		See Note	MS-1592P-20	

Valve Train & Ancillary

Valve (Intake)	2.094" Head Diameter, 5.698" Length, .3725" Stem, 45°, 2 Groove, Natural And Turbo	9L9851	211-2455	8
Valve (Exhaust)	1.804" Head Diameter, 5.693" Length, .3715" Stem, 45°, 2 Groove, Naturally Aspirated	9L7683	211-2456	8
Valve Guide (Intake)	2.625" OD, For Upgrading To A Replaceable Guide	6I2864	217-3307	8
Valve Guide (Exhaust)	2.9765" OD, For Upgrading To A Replaceable Guide	6I2865	217-3306	8
Valve Seat Insert	Exhaust, 1.625" ID, 1.912" OD, .281" Depth	9N2837	218-7807	8
	Intake, 1.859" ID, 2.150" OD, .2920" Depth	2N8943	218-7808	8

20	Engine Codes: 'G333B, G333C' 6 Cyl, 8.6L / 525 CID, Bore 114.3mm / 4.500", Stroke 139.7mm / 5.500"			20
-----------	--	--	--	-----------

Cylinder Components

Piston Pin	1.699" Diameter, 3.730" Length	7N9805	223-1835	6
Lock Ring	2 Per Package	1S9543	223-5502	6

Engine Gaskets

Engine Oil Pan Gasket Set	2 Piece Oil Pan	1694199	OS32224	1
----------------------------------	-----------------	---------	----------------	---



PART	NOTES	OE INTERCHANGE NUMBER	PART NUMBER	ORDER QTY
------	-------	-----------------------	-------------	-----------

20 (cont.)	Engine Codes: 'G333B, G333C' 6 Cyl, 8.6L / 525 CID, Bore 114.3mm / 4.500", Stroke 139.7mm / 5.500"			20 (cont.)
-----------------------------	--	--	--	-----------------------------

Bearings

Connecting Rod Bearing (Pair)		4W5739	CB-619AL	6
		8N8221	CB-619AL-10	
		8N8222	CB-619AL-20	
		8N8223	CB-619AL-30	
		Exclusive	CB-619AL-50	
Main Bearing Set	Contains Straight Shell Bearings, Requires Thrust Washers, MS-1114AL Contains OE# 2323233(7), MS-1114AL-10 Contains OE# 3148652(7), MS-1114AL-20 Contains OE# 8N8226(7), And MS-1114AL-30 Contains OE# 8N8227(7)	1969534	MS-1114AL	1
		See Note	MS-1114AL-10	
		See Note	MS-1114AL-20	
		See Note	MS-1114AL-30	
	Contains Flanged Bearing, Standard Size Set Contains OE# 2323233(6), 7S9439, .010" Undersize Set Contains OE# 3148652(6), 7S9844, .020" Undersize Set Contains OE# 8N8226(6), 7S9845	See Note	MS-958AL	1
		See Note	MS-958AL-10	
See Note		MS-958AL-20		
Main Bearings (Single, Pair)	Straight Shell Bearing	2323233	MB-2580AL	6
		3148652	MB-2580AL-10	
		8N8227	MB-2580AL-30	
	Flanged Bearing	7S9439	MB-2581AL	1
		7S9844	MB-2581AL-10	
		7S9845	MB-2581AL-20	
Thrust Washer Set	2 Per Package	6N8940	TW-252S	1
	2 Per Package, .232" Oversize Length	9S3037	TW-409S	1
	2 Per Package, .215" Oversize Length	1003652	TW-693S	1
Thrust Washer (Individual)		6N8940	MB-2580W	2
	.232" Oversize Length	9S3037	MB-3057W	2
	.215" Oversize Length	1003652	MB-3451W	2

Valve Train & Ancillary

Valve (Intake)	2.020" Head Diameter, .3717" Stem, 5.510" Length, 30° Seat, Stellite, 2 Groove, Indirect Injection, Turbocharged, 2 Valve, Spark Ignited, Short Valve	2W2621	211-2491	6
-----------------------	---	--------	-----------------	---

Crankshaft

Crankshaft	Without Gear	2W7458	247-5050	1
-------------------	--------------	--------	-----------------	---

21	Engine Code: '3208' 8 Cyl, 10.4L / 636 CID, Bore 114.3mm / 4.500", Stroke 127.0mm / 5.000"			21
-----------	--	--	--	-----------

Cylinder Components

Cylinder Sleeve	Semi-Finished, Install Bore and Hone Sleeve, Sleeve Has .0265"-.0295" Extra Stock Of Material On ID Of Sleeve For Boring, 4.500" Bore, .0937" Wall, 7.740" Length, Honable	9N6275	226-4487	8
Piston	16.5:1 CR, 2 Ring, Tapered Rod	2W4831	224-2188	8



PART	NOTES	OE INTERCHANGE NUMBER	PART NUMBER	ORDER QTY
------	-------	-----------------------	-------------	-----------

21 (cont.)	Engine Code: '3208' 8 Cyl, 10.4L / 636 CID, Bore 114.3mm / 4.500", Stroke 127.0mm / 5.000"			21 (cont.)
-----------------------	--	--	--	-----------------------

Cylinder Components

Piston	16.5:1 CR, 3 Ring Piston, Tapered Rod, Dual Ni-Resist Inserts	7E4729	224-2568	8
		Exclusive	224-2568.020	
		Exclusive	224-2568.040	
Piston (Bare)	16.5:1 CR, Not For Arrangement Numbers 4N0169 And 4N0303, Pistons On These Engines Have Valve Relief And Less Clearance, 2 Ring, Tapered Rod, Contained Within 225-2513, Use With Piston Pin 223-1836 And Locks 223-5506	2W4831	224-2188X	8
		2W8410	224-2188X.020	
	16.5:1 CR, 3 Ring Piston, Tapered Rod, Dual Ni-Resist Inserts, Contained Within 225-2738, Not For Arrangement Numbers 4N0169 And 4N0303, Pistons On These Engines Have Valve Relief And Less Clearance, Use With Piston Pin 223-1836 And Locks 223-5506	7E4729	224-2568X	8
		Exclusive	224-2568X.020	
		Exclusive	224-2568X.040	
	Rebore Kit	16.5:1 CR, 2 Ring Piston, Tapered Rod, Set Contains OE#s: Piston 2W4831, Pin 7N9803, Locks 8N7294, And Rings Set 2W8646	2W4831	225-2513
1W2071			225-2513.020	
16.5:1 CR, 3 Ring Piston, Tapered Rod, Dual Ni-Resist Inserts, Offset Mexican Hat Recessed Head, Contains OE#s: Piston 7E4729, Pin 7N9803, And Locks 8N7294, Contains OE Rings: Top 1303987, Intermediate 1303997, And Oil 7E9297		7E4729	225-2738	8
		7E4729(.020)	225-2738.020	
Ring Set	Plasma-Moly Ductile Iron, 3 Ring Keystone, Contains OE#s: Top 1303987, Intermediate 1303997, And Oil 7E9297	Exclusive	S41542	8
		Exclusive	S41542.020	
	3 Ring, #1 Keystone #2 Rectangular 2@.094", 1@0.187", Plasma-Moly Ductile Iron	Exclusive	S41685•	8
		Exclusive	S41685.040	
	Plasma-Moly Ductile Iron, 2 Ring Piston	2W8265	S41883	8
		2W8646	S41883.020	
Piston Pin	1.499" Diameter, 3.205" Length	7N9803	223-1836	8
Lock Ring	2 Per Package	8N7294	223-5506	8

Engine Gaskets

Engine Conversion Gasket Set	Consolidated Set, S/N 4051->	Exclusive	CS4929C	1
Engine Cylinder Head Gasket		7W2059	54151	2
Engine Oil Pan Gasket Set	Includes Gasket And O-Rings	9L8016	OS32178	1

Bearings

Connecting Rod Bearing (Pair)	1.010" Bearing Length	7E7894	CB-1215P	8
		9N5920	CB-1215P-10	
		9N5921	CB-1215P-20	
		Exclusive	CB-1215P-30	
		Exclusive	CB-1215P-40	
	.955" Bearing Length	9N5923	CB-972P	8
	9N5924	CB-972P-10		



* For our latest product offerings go to <http://catalog.mahle-aftermarket.com/us/>

PART	NOTES	OE INTERCHANGE NUMBER	PART NUMBER	ORDER QTY
------	-------	-----------------------	-------------	-----------

21 (cont.)	Engine Code: '3208' 8 Cyl, 10.4L / 636 CID, Bore 114.3mm / 4.500", Stroke 127.0mm / 5.000"			21 (cont.)
-----------------------	--	--	--	-----------------------

Bearings

Connecting Rod Bearing (Pair)		9N5925	CB-972P-20	
		Exclusive	CB-972P-30	
Main Bearing Set	Non-Grooved Front Main Bearing, Standard Size Set Contains OE#s: 4W8093, 4W8092(3), And 4W8091, .010" Undersize Set Contains OE#s: 8N8976, 8N9022(3), And 8N9065, .020" Undersize Set Contains OE#s: 8N8972, 8N9023(3), And 8N9064	See Note	MS-1420P	1
		See Note	MS-1420P-10	
		See Note	MS-1420P-20	
		See Note	MS-1420P-30	
	Contains Upper Half Flanged Bearing, 1.253" Length Upper Half Flanged, Standard Size Set Contains OE#s: 4W8092(4) And 4W8091, .010" Undersize Set Contains OE#s: 8N9022(4) And 8N9065, .020" Undersize Set Contains OE#s: 8N9023(4) And 8N9064	See Note	MS-1421P	1
		See Note	MS-1421P-10	
		See Note	MS-1421P-20	
		Exclusive	MS-1421P-30	
	Grooved Front Bearing, Standard Size Set Contains OE#s: 8N8929, 4W8092(3), And 4W8091, .010" Undersize Set Contains OE#s: 8N8926, 4W9022(3), And 4N9065, .020" Undersize Set Contains OE#s: 8N8931, 4W9023(3), And 4N9064	See Note	MS-1422P	1
		See Note	MS-1422P-10	
		See Note	MS-1422P-20	
		See Note	MS-1422P-30	
Contains Upper Half Flanged Bearing, 1.253" Length Upper Half Flanged, .010" Oversize On OD, Standard Size Set Contains OE#s: 8N9021(4) And 8N9067, .020" Undersize Set Contains OE#s: 8N9019(4) And 8N9068	See Note	MS-1592P	1	
	See Note	MS-1592P-20		
Non-Grooved Front Main Bearing, .010" Oversize On OD, Standard Size Set Contains OE#s: 8N8973, 8N9021(3), And 8N9067, .020" Undersize Set Contains OE#s: 8N8971, 8N9019(3), And 8N9068	See Note	MS-1593P	1	
	See Note	MS-1593P-20		
Main Bearings (Single, Pair)	Straight Shell Bearing, Center Locating Lug, 3 Oil Holes, Non-Grooved Bearing	4W8093	MB-2733P	1
		8N8976	MB-2733P-10	
		8N8972	MB-2733P-20	
		4W8093(.030)	MB-2733P-30	
	Early And Late Engines Straight Shell Bearing	4W8092	MB-2734P	3
		8N9022	MB-2734P-10	
		8N9023	MB-2734P-20	
		4W8092(.030)	MB-2734P-30	
	Early And Late Engines Flanged Bearing	4W8091	MB-2735P	1
		8N9065	MB-2735P-10	
		8N9064	MB-2735P-20	
	Early And Late Engines Flanged Bearings, .010" Oversize On OD	8N9067	MB-2930P	1
Piston Pin Bushing	For Non-Taper Rod	8N0701	223-3569	8
	Engines With Taper Pin Bushings, Requires Boring	9N5082	223-3628	8
Camshaft Bearing Set	5 Per Package	9N5246	SH-1245S	1

Valve Train & Ancillary

Valve (Intake)	2.094" Head Diameter, 5.698" Length, .3725" Stem, 45°, 2 Groove, Natural And Turbo	9L9851	211-2455	8
-----------------------	--	--------	-----------------	---



Sealing Products

PART	NOTES	OE INTERCHANGE NUMBER	PART NUMBER	ORDER QTY
------	-------	-----------------------	-------------	-----------

21 (cont.)	Engine Code: '3208' 8 Cyl, 10.4L / 636 CID, Bore 114.3mm / 4.500", Stroke 127.0mm / 5.000"			21 (cont.)
-----------------------------	--	--	--	-----------------------------

Valve Train & Ancillary

Valve (Exhaust)	1.804" Head Diameter, 5.693" Length, .3715" Stem, 45°, 2 Groove, Naturally Aspirated	9L7683	211-2456	8
Valve Guide (Intake)	2.625" OD, For Upgrading To A Replaceable Guide	6I2864	217-3307	8
Valve Guide (Exhaust)	2.9765" OD, For Upgrading To A Replaceable Guide	6I2865	217-3306	8
Valve Seat Insert	Exhaust, 1.625" ID, 1.912" OD, .281" Depth	9N2837	218-7807	8
	Intake, 1.859" ID, 2.150" OD, .2920" Depth	2N8943	218-7808	1

Filters

Spin-on fuel filter		1006374 1174089 1383100	KC 227	1
---------------------	--	-------------------------------	--------	---

Crankshaft

Crankshaft	Includes Turbo Application, Forging 9N0300, Without Gear	9N6221	247-5007	1
------------	--	--------	----------	---

22	Engine Code: 'D336' 8 Cyl, 11.5L / 700 CID, Bore 114.3mm / 4.500", Stroke 140.0mm / 5.512"; Sleeved Engine			22
-----------	--	--	--	-----------

Filters

Spin-on fuel filter		6L7440	KC 28	1
---------------------	--	--------	-------	---

23	Engine Code: 'D315' 4 Cyl, 5.7L / 350 CID, Bore 114.3mm / 4.500", Stroke 139.7mm / 5.500"; Sleeved Engine			23
-----------	---	--	--	-----------

Bearings

Connecting Rod Bearing (Pair)		4W5739	CB-619AL	4
		8N8221	CB-619AL-10	
		8N8222	CB-619AL-20	
		8N8223	CB-619AL-30	
		Exclusive	CB-619AL-50	
Main Bearings (Single, Pair)	Straight Shell Bearing	2323233	MB-2580AL	4
Thrust Washer Set	2 Per Package, .215" Oversize Length	1003652	TW-693S	1
Thrust Washer (Individual)		6N8940	MB-2580W	2
	.232" Oversize Length	9S3037	MB-3057W	2

Valve Train & Ancillary

Valve (Intake)	2.028 Head Diameter, 7.788" Length, .0365" Stem, 44° Seat, Tapered Lock Groove	6H3026	211-3350	4
Valve Seat Insert (Intake And Exhaust)	1.562" ID, 1.812" OD, .3650" Depth	4N5893	218-7806	4



PART	NOTES	OE INTERCHANGE NUMBER	PART NUMBER	ORDER QTY
------	-------	-----------------------	-------------	-----------

24	Engine Code: 'D330' 4 Cyl, 5.7L / 350 CID, Bore 114.3mm / 4.500", Stroke 139.7mm / 5.500"			24
-----------	---	--	--	-----------

Cylinder Components

Cylinder Sleeve Assembly	Contains Piston OE# 2M5558	9S8704	226-1685	4
Cylinder Sleeve	With Seals	8S2240	226-4518	4
Cylinder Sleeve (Bare)		8S2240	226-4518X	4
Piston (Bare)	No Heat Plug	2M5558	224-3202X	4
Ring Set	3 Ring Piston, Contains OE#s: Top 3S4027, Intermediate 3S4026, And Oil 9S4867	9S8704	S40574	4
Piston Pin	1.500" Diameter, 3.730" Length	7N9804	223-1829	4
Lock Ring	2 Per Package	9H4015	223-5503	4

Bearings

Connecting Rod Bearing (Pair)		4W5739	CB-619AL	4
		8N8221	CB-619AL-10	
		8N8222	CB-619AL-20	
		8N8223	CB-619AL-30	
		Exclusive	CB-619AL-50	
Main Bearing Set	Contains Straight Shell Bearings, Thin Wall .156", Requires Thrust Washers, MS-1113AL Contains OE# 2323233(5), MS-1113AL-10 Contains OE# 3148652(5), MS-1113AL-20 Contains OE# 8N8226(5), And MS-1113AL-30 Contains OE# 8N8227(5)	2323233	MS-1113AL	1
		8S3978		
		See Note	MS-1113AL-10	
		See Note	MS-1113AL-20	
	Contains Lower Half Flanged Bearing, Thin Wall .156", Standard Set Contains OE# 2323233(4), 7S9439, .010" Undersize Set Contains OE# 3148652(4), 7S9844, .020" Undersize Set Contains OE# 8N8226(4), 7S9845	See Note	MS-957AL	1
		See Note	MS-957AL-10	
		See Note	MS-957AL-20	
Main Bearings (Single, Pair)	Straight Shell Bearing	2323233	MB-2580AL	4
		3148652	MB-2580AL-10	
		8N8226	MB-2580AL-20	
		8N8227	MB-2580AL-30	
	Flanged Bearing	7S9439	MB-2581AL	1
		7S9844	MB-2581AL-10	
		7S9845	MB-2581AL-20	
Thrust Washer Set	2 Per Package	6N8940	TW-252S	1
	2 Per Package, .232" Oversize Length	9S3037	TW-409S	1
	2 Per Package, .215" Oversize Length	1003652	TW-693S	1
Thrust Washer (Individual)		6N8940	MB-2580W	2
	.232" Oversize Length	9S3037	MB-3057W	2
	.215" Oversize Length	1003652	MB-3451W	2

Valve Train & Ancillary

Valve (Exhaust)	Stellite, 1.770" Head Diameter, 6.562" Length, .3717" Stem, 30° Seat, 2 Groove	9M4163	211-2489	4
Valve Guide (Intake & Exhaust)	.3771" ID, .6577" OD, 3.220" Length, Old Style Flanged	5S4507	217-4053	8



Sealing Products

PART	NOTES	OE INTERCHANGE NUMBER	PART NUMBER	ORDER QTY
24 (cont.)	Engine Code: 'D330' 4 Cyl, 5.7L / 350 CID, Bore 114.3mm / 4.500", Stroke 139.7mm / 5.500"			24 (cont.)
Filters				
Spin-on fuel filter		6L7440	KC 28	1
Crankshaft				
Crankshaft	Without Gear	8M4505	247-5136	1
25	Engine Code: 'D318' 6 Cyl, 8.6L / 525 CID, Bore 114.3mm / 4.500", Stroke 139.7mm / 5.500"			25
Cylinder Components				
Sleeve O-Ring Kit		3S3977	223-7107	6
Bearings				
Connecting Rod Bearing (Pair)		4W5739	CB-619AL	6
		8N8221	CB-619AL-10	
		8N8222	CB-619AL-20	
		8N8223	CB-619AL-30	
		Exclusive	CB-619AL-50	
Main Bearing Set	Contains Straight Shell Bearings, Requires Thrust Washers, MS-1114AL Contains OE# 2323233(7), MS-1114AL-10 Contains OE# 3148652(7), MS-1114AL-20 Contains OE# 8N8226(7), And MS-1114AL-30 Contains OE# 8N8227(7)	1969534	MS-1114AL	1
		See Note	MS-1114AL-10	
		See Note	MS-1114AL-20	
		See Note	MS-1114AL-30	
Main Bearing Set	Contains Flanged Bearing, Standard Size Set Contains OE# 2323233(6), 7S9439, .010" Undersize Set Contains OE# 3148652(6), 7S9844, .020" Undersize Set Contains OE# 8N8226(6), 7S9845	See Note	MS-958AL	1
		See Note	MS-958AL-10	
		See Note	MS-958AL-20	
Main Bearings (Single, Pair)	Straight Shell Bearing	2323233	MB-2580AL	6
		3148652	MB-2580AL-10	
		8N8226	MB-2580AL-20	
		8N8227	MB-2580AL-30	
	Flanged Bearing	7S9439	MB-2581AL	1
		7S9844	MB-2581AL-10	
		7S9845	MB-2581AL-20	
Thrust Washer Set	2 Per Package	6N8940	TW-252S	1
	2 Per Package, .232" Oversize Length	9S3037	TW-409S	1
	2 Per Package, .215" Oversize Length	1003652	TW-693S	1
Thrust Washer (Individual)		6N8940	MB-2580W	2
	.232" Oversize Length	9S3037	MB-3057W	2
	.215" Oversize Length	1003652	MB-3451W	2
Valve Train & Ancillary				
Valve (Intake)	2.028 Head Diameter, 7.788" Length, .0365" Stem, 44° Seat, Tapered Lock Groove	6H3026	211-3350	6
Valve Seat Insert	Exhaust, 1.625" ID, 1.912" OD, .281" Depth	9N2837	218-7807	6



PART	NOTES	OE INTERCHANGE NUMBER	PART NUMBER	ORDER QTY
------	-------	-----------------------	-------------	-----------

25 (cont.)	Engine Code: 'D318' 6 Cyl, 8.6L / 525 CID, Bore 114.3mm / 4.500", Stroke 139.7mm / 5.500"			25 (cont.)
-----------------------------	---	--	--	-----------------------------

Valve Train & Ancillary

Valve Seat Insert	Intake, 1.859" ID, 2.150" OD, .2920" Depth	2N8943	218-7808	6
--------------------------	--	--------	-----------------	---

26	Engine Code: '3150' 8 Cyl, 9.4L / 573 CID, Bore 114.3mm / 4.500", Stroke 114.3mm / 4.500"			26
-----------	---	--	--	-----------

Cylinder Components

Cylinder Sleeve	Semi-Finished, Install Bore and Hone Sleeve, Sleeve Has .0265"-.0295" Extra Stock Of Material On ID Of Sleeve For Boring, 4.500" Bore, .0937" Wall, 7.740" Length, Honable	9N6275	226-4487	8
Ring Set	Plasma-Moly Ductile Iron, 3 Ring Keystone, Contains OE#s: Top 1303987, Intermediate 1303997, And Oil 7E9297	Exclusive	S41542	8
		Exclusive	S41542.020	
	Plasma-Moly Ductile Iron, 2 Ring Piston	2W8265	S41883	8
Piston Pin	1.499" Diameter, 3.205" Length	7N9803	223-1836	8
Lock Ring	2 Per Package	8N7294	223-5506	8

Engine Gaskets

Engine Cylinder Head Gasket		7W2059	54151	2
------------------------------------	--	--------	--------------	---

Bearings

Connecting Rod Bearing (Pair)	.955" Bearing Length	9N5923	CB-972P	8
		9N5924	CB-972P-10	
		9N5925	CB-972P-20	
		Exclusive	CB-972P-30	
Main Bearing Set	Contains Upper Half Flanged Bearing, 1.253" Length Upper Half Flanged, Standard Size Set Contains OE#s: 4W8092(4) And 4W8091, .010" Undersize Set Contains OE#s: 8N9022(4) And 8N9065, .020" Undersize Set Contains OE#s: 8N9023(4) And 8N9064	See Note	MS-1421P	1
		See Note	MS-1421P-10	
		See Note	MS-1421P-20	
		Exclusive	MS-1421P-30	
Main Bearing Set	Contains Upper Half Flanged Bearing, 1.253" Length Upper Half Flanged, .010" Oversize On OD, Standard Size Set Contains OE#s: 8N9021(4) And 8N9067, .020" Undersize Set Contains OE#s: 8N9019(4) And 8N9068	See Note	MS-1592P	1
		See Note	MS-1592P-20	
Main Bearings (Single, Pair)	Straight Shell Bearing	4W8092	MB-2734P	4
		8N9022	MB-2734P-10	
		8N9023	MB-2734P-20	
		4W8092(.030)	MB-2734P-30	
	Flanged Bearing	4W8091	MB-2735P	1
		8N9065	MB-2735P-10	
		8N9064	MB-2735P-20	
Camshaft Bearing Set	5 Per Package	9N5246	SH-1245S	1



PART	NOTES	OE INTERCHANGE NUMBER	PART NUMBER	ORDER QTY
------	-------	-----------------------	-------------	-----------

26 (cont.)	Engine Code: '3150' 8 Cyl, 9.4L / 573 CID, Bore 114.3mm / 4.500", Stroke 114.3mm / 4.500"			26 (cont.)
-----------------------------	--	--	--	-----------------------------

Valve Train & Ancillary

Valve (Intake)	2.094" Head Diameter, 5.698" Length, .3725" Stem, 45°, 2 Groove, Natural And Turbo	9L9851	211-2455	8
Valve (Exhaust)	1.804" Head Diameter, 5.693" Length, .3715" Stem, 45°, 2 Groove, Naturally Aspirated	9L7683	211-2456	8
Valve Guide (Intake)	2.625" OD, For Upgrading To A Replaceable Guide	6I2864	217-3307	8
Valve Guide (Exhaust)	2.9765" OD, For Upgrading To A Replaceable Guide	6I2865	217-3306	8
Valve Seat Insert	Exhaust, 1.625" ID, 1.912" OD, .281" Depth	9N2837	218-7807	8

27	Engine Code: '3204' 4 Cyl, 2.5L / 318 CID, Bore 114.3mm / 4.500", Stroke 127.0mm / 5.000"			27
-----------	--	--	--	-----------

Cylinder Components

Cylinder Sleeve	Semi-Finished, Install Bore and Hone Sleeve, Sleeve Has .0265"-.0295" Extra Stock Of Material On ID Of Sleeve For Boring, 4.500" Bore, .0937" Wall, 7.740" Length, Honable	9N6275	226-4487	4
Piston	16.5:1 CR, 2 Ring, Tapered Rod	2W4831	224-2188	4
	16.5:1 CR, 3 Ring Piston, Tapered Rod, Dual Ni-Resist Inserts	7E4729	224-2568	4
		Exclusive	224-2568.020	
Piston (Bare)	16.5:1 CR, Not For Arrangement Numbers 4N0169 And 4N0303, Pistons On These Engines Have Valve Relief And Less Clearance, 2 Ring, Tapered Rod, Contained Within 225-2513, Use With Piston Pin 223-1836 And Locks 223-5506	2W4831	224-2188X	4
		2W8410	224-2188X.020	
	16.5:1 CR, 3 Ring Piston, Tapered Rod, Dual Ni-Resist Inserts, Contained Within 225-2738, Not For Arrangement Numbers 4N0169 And 4N0303, Pistons On These Engines Have Valve Relief And Less Clearance, Use With Piston Pin 223-1836 And Locks 223-5506	7E4729	224-2568X	4
		Exclusive	224-2568X.020	
		Exclusive	224-2568X.040	
	Rebore Kit	16.5:1 CR, 2 Ring Piston, Tapered Rod, Set Contains OE#'s: Piston 2W4831, Pin 7N9803, Locks 8N7294, And Rings Set 2W8646	2W4831	225-2513
1W2071			225-2513.020	
16.5:1 CR, 3 Ring Piston, Tapered Rod, Dual Ni-Resist Inserts, Offset Mexican Hat Recessed Head, Contains OE#'s: Piston 7E4729, Pin 7N9803, And Locks 8N7294, Contains OE Rings: Top 1303987, Intermediate 1303997, And Oil 7E9297		7E4729	225-2738	4
Ring Set	Plasma-Moly Ductile Iron, 3 Ring Keystone, Contains OE#'s: Top 1303987, Intermediate 1303997, And Oil 7E9297	Exclusive	S41542	4
		Exclusive	S41542.020	
	Plasma-Moly Ductile Iron, 2 Ring Piston	2W8265	S41883	4
		2W8646	S41883.020	
Piston Pin	1.499" Diameter, 3.205" Length	7N9803	223-1836	4
Lock Ring	2 Per Package	8N7294	223-5506	4



PART	NOTES	OE INTERCHANGE NUMBER	PART NUMBER	ORDER QTY
------	-------	-----------------------	-------------	-----------

27 (cont.)	Engine Code: '3204' 4 Cyl, 2.5L / 318 CID, Bore 114.3mm / 4.500", Stroke 127.0mm / 5.000"			27 (cont.)
-----------------------	---	--	--	-----------------------

Engine Gaskets

Engine Cylinder Head Gasket		7W2059	54151	1
Engine Timing Cover Seal		7K9201	49353	1

Bearings

Connecting Rod Bearing (Pair)		8N6308	CB-1599P	4
		1N3821	CB-1599P-10	
		1N3822	CB-1599P-20	
Main Bearing Set	Standard Size OE# 1003652(2), 1W0312(3), 1W0311(2), .010" Undersize Set Contains OE# 1003652 (2), 1W1661(3), 1W1655(2)	See Note	MS-2000P	1
		See Note	MS-2000P-10	
	From Engine Serial Number 45V1 Standard Size Set Contains OE# 4W8093(3), 4W8092(2), .010" Undersize Set Contains OE# 8N8976(3), 8N9022(2), .020" Undersize Set Contains OE# 8N8972(3), 8N9023(2)	See Note	MS-2020P	1
		See Note	MS-2020P-10	
		See Note	MS-2020P-20	
See Note	MS-2020P-30			
Main Bearings (Single, Pair)	From Engine Serial Number 45V1 Straight Shell Bearing, Center Locating Lug, 3 Oil Holes, Non-Grooved Bearing	4W8093	MB-2733P	3
		8N8976	MB-2733P-10	
		8N8972	MB-2733P-20	
		4W8093(.030)	MB-2733P-30	
	From Engine Serial Number 45V1 Straight Shell Bearing	4W8092	MB-2734P	2
		8N9022	MB-2734P-10	
		8N9023	MB-2734P-20	
		4W8092(.030)	MB-2734P-30	
	Position 2 And 4, Straight Shell Bearing	1W0311	MB-3414P	2
		1W1665	MB-3414P-10	
	Position 1, 3, And 5, Straight Shell Bearing	1W0312	MB-3415P	3
		1W1661	MB-3415P-10	
	Thrust Washer Set	From Engine Serial Number 45V1 2 Per Package	6N8940	TW-252S
2 Per Package, .232" Oversize Length		9S3037	TW-409S	1
2 Per Package, .215" Oversize Length		1003652	TW-693S	1
Thrust Washer (Individual)		6N8940	MB-2580W	2
	.232" Oversize Length	9S3037	MB-3057W	2
	.215" Oversize Length	1003652	MB-3451W	2
Camshaft Bearing Set	Contains OE# 9N5246(2) And 1W5920	See Note	SH-2178S	1

Valve Train & Ancillary

Valve Seat Insert (Intake And Exhaust)	1.562" ID, 1.812" OD, .3650" Depth	4N5893	218-7806	8
--	------------------------------------	--------	-----------------	---

Turbochargers

Turbocharger		6N6515	127 TC 15121 000	1
--------------	--	--------	-------------------------	---



PART	NOTES	OE INTERCHANGE NUMBER	PART NUMBER	ORDER QTY
------	-------	-----------------------	-------------	-----------

27 (cont.)	Engine Code: '3204' 4 Cyl, 2.5L / 318 CID, Bore 114.3mm / 4.500", Stroke 127.0mm / 5.000"			27 (cont.)
-----------------------------	---	--	--	-----------------------------

Crankshaft

Crankshaft	With Gear	1W9771	247-5103	1
-------------------	-----------	--------	----------	---

28	Engine Code: '1673' 6 Cyl, 8.6L / 525 CID, Bore 114.3mm / 4.500", Stroke 139.7mm / 5.500"			28
-----------	---	--	--	-----------

Cylinder Components

Cylinder Sleeve Assembly	Contains Piston OE# 2M5558	9S8704	226-1685	6
Cylinder Sleeve	With Seals	8S2240	226-4518	6
Cylinder Sleeve (Bare)		8S2240	226-4518X	6
Piston (Bare)	No Heat Plug	2M5558	224-3202X	6
Ring Set	3 Ring Piston, Contains OE#s: Top 3S4027, Intermediate 3S4026, And Oil 9S4867	9S8704	S40574	6
Piston Pin	1.500" Diameter, 3.730" Length	7N9804	223-1829	6
Lock Ring	2 Per Package	9H4015	223-5503	6

Engine Gaskets

Rear Main Seal Set		6V2982	JV1706	1
---------------------------	--	--------	--------	---

Bearings

Connecting Rod Bearing (Pair)		4W5739	CB-619AL	6
		8N8221	CB-619AL-10	
		8N8222	CB-619AL-20	
		8N8223	CB-619AL-30	
		Exclusive	CB-619AL-50	
Main Bearing Set	Contains Straight Shell Bearings, Requires Thrust Washers, MS-1114AL Contains OE# 2323233(7), MS-1114AL-10 Contains OE# 3148652(7), MS-1114AL-20 Contains OE# 8N8226(7), And MS-1114AL-30 Contains OE# 8N8227(7)	1969534	MS-1114AL	1
		See Note	MS-1114AL-10	
		See Note	MS-1114AL-20	
		See Note	MS-1114AL-30	
Main Bearings (Single, Pair)	Straight Shell Bearing	2323233	MB-2580AL	6
		3148652	MB-2580AL-10	
		8N8226	MB-2580AL-20	
Thrust Washer Set	2 Per Package	6N8940	TW-252S	
		9S3037	TW-409S	1
		1003652	TW-693S	1
		7S9845	MB-2581AL-20	1
Flanged Bearing	7S9439	MB-2581AL		
	7S9844	MB-2581AL-10		



PART	NOTES	OE INTERCHANGE NUMBER	PART NUMBER	ORDER QTY
------	-------	-----------------------	-------------	-----------

28 (cont.)	Engine Code: '1673' 6 Cyl, 8.6L / 525 CID, Bore 114.3mm / 4.500", Stroke 139.7mm / 5.500"			28 (cont.)
-----------------------------	---	--	--	-----------------------------

Bearings

Thrust Washer (Individual)		6N8940	MB-2580W	2
	.232" Oversize Length	9S3037	MB-3057W	2
	.215" Oversize Length	1003652	MB-3451W	2

Valve Train & Ancillary

Valve (Exhaust)	Stellite, 1.770" Head Diameter, 6.562" Length, .3717" Stem, 30° Seat, 2 Groove	9M4163	211-2489	6
Valve Guide (Intake & Exhaust)	.3771" ID, .6577" OD, 3.220" Length, Old Style Flanged	5S4507	217-4053	12

Filters

Spin-on fuel filter		6L7440	KC 28	1
---------------------	--	--------	-------	---

29	Engine Code: '3145' 8 Cyl, 8.6L / 522 CID, Bore 114.3mm / 4.500", Stroke 104.1mm / 4.100"			29
-----------	---	--	--	-----------

Cylinder Components

Piston Pin	1.499" Diameter, 3.205" Length	7N9803	223-1836	8
Lock Ring	2 Per Package	8N7294	223-5506	8

Bearings

Connecting Rod Bearing (Pair)	.955" Bearing Length	9N5923	CB-972P	8
		9N5924	CB-972P-10	
		9N5925	CB-972P-20	
		Exclusive	CB-972P-30	
Main Bearing Set	Contains Upper Half Flanged Bearing, 1.253" Length Upper Half Flanged, Standard Size Set Contains OE#s: 4W8092(4) And 4W8091, .010" Undersize Set Contains OE#s: 8N9022(4) And 8N9065, .020" Undersize Set Contains OE#s: 8N9023(4) And 8N9064	See Note	MS-1421P	1
		See Note	MS-1421P-10	
		See Note	MS-1421P-20	
		Exclusive	MS-1421P-30	
Main Bearing Set	Contains Upper Half Flanged Bearing, 1.253" Length Upper Half Flanged, .010" Oversize On OD, Standard Size Set Contains OE#s: 8N9021(4) And 8N9067, .020" Undersize Set Contains OE#s: 8N9019(4) And 8N9068	See Note	MS-1592P	1
		See Note	MS-1592P-20	
Main Bearings (Single, Pair)	Straight Shell Bearing	4W8092	MB-2734P	4
		8N9022	MB-2734P-10	
		8N9023	MB-2734P-20	
		4W8092(.030)	MB-2734P-30	
	Flanged Bearing	4W8091	MB-2735P	1
		8N9065	MB-2735P-10	
		8N9064	MB-2735P-20	

Valve Train & Ancillary

Valve (Intake)	2.094" Head Diameter, 5.698" Length, .3725" Stem, 45°, 2 Groove, Natural And Turbo	9L9851	211-2455	8
----------------	--	--------	----------	---



PART	NOTES	OE INTERCHANGE NUMBER	PART NUMBER	ORDER QTY
------	-------	-----------------------	-------------	-----------

29 (cont.)	Engine Code: '3145' 8 Cyl, 8.6L / 522 CID, Bore 114.3mm / 4.500", Stroke 104.1mm / 4.100"			29 (cont.)
-----------------------------	---	--	--	-----------------------------

Valve Train & Ancillary

Valve (Exhaust)	1.804" Head Diameter, 5.693" Length, .3715" Stem, 45°, 2 Groove, Naturally Aspirated	9L7683	211-2456	8
------------------------	--	--------	----------	---

30	Engine Code: '1670' 4 Cyl, 5.7L / 350 CID, Bore 114.3mm / 4.500", Stroke 139.7mm / 5.500"; Turbocharged			30
-----------	---	--	--	-----------

Bearings

Connecting Rod Bearing (Pair)		4W5739	CB-619AL	4
		8N8221	CB-619AL-10	
		8N8222	CB-619AL-20	
		8N8223	CB-619AL-30	
		Exclusive	CB-619AL-50	
Main Bearing Set	Contains Straight Shell Bearings, Thin Wall .156", Requires Thrust Washers, MS-1113AL Contains OE# 2323233(5), MS-1113AL-10 Contains OE# 3148652(5), MS-1113AL-20 Contains OE# 8N8226(5), And MS-1113AL-30 Contains OE# 8N8227(5)	2323233	MS-1113AL	1
		8S3978		
		See Note	MS-1113AL-10	
		See Note	MS-1113AL-20	
	Contains Lower Half Flanged Bearing, Thin Wall .156", Standard Set Contains OE# 2323233(4), 7S9439, .010" Undersize Set Contains OE# 3148652(4), 7S9844, .020" Undersize Set Contains OE# 8N8226(4), 7S9845	See Note	MS-957AL	1
		See Note	MS-957AL-10	
		See Note	MS-957AL-20	
Main Bearings (Single, Pair)	Straight Shell Bearing	2323233	MB-2580AL	4
		3148652	MB-2580AL-10	
		8N8226	MB-2580AL-20	
		8N8227	MB-2580AL-30	
	Flanged Bearing	7S9439	MB-2581AL	1
		7S9844	MB-2581AL-10	
		7S9845	MB-2581AL-20	
Thrust Washer Set	2 Per Package	6N8940	TW-252S	1
	2 Per Package, .232" Oversize Length	9S3037	TW-409S	1
	2 Per Package, .215" Oversize Length	1003652	TW-693S	1
Thrust Washer (Individual)		6N8940	MB-2580W	2
	.232" Oversize Length	9S3037	MB-3057W	2
	.215" Oversize Length	1003652	MB-3451W	2

31	Engine Code: 'D330C' 4 Cyl, 7.0L / 425 CID, Bore 120.7mm / 4.750", Stroke 152.4mm / 6.000"; Sleeved Engine			31
-----------	--	--	--	-----------

Cylinder Components

Cylinder Sleeve Assembly	17.5:1 CR, With 9N5250 Piston, 1.700" Diameter Pin, Rectangular Compression Rings, Dual Ni-Resist Inserts, Bolt In Heat Plug, 0R1694 Identifies Piston Pack	0R1694	226-1695	4
---------------------------------	---	--------	----------	---



PART	NOTES	OE INTERCHANGE NUMBER	PART NUMBER	ORDER QTY
------	-------	-----------------------	-------------	-----------

31 (cont.)	Engine Code: 'D330C' 4 Cyl, 7.0L / 425 CID, Bore 120.7mm / 4.750", Stroke 152.4mm / 6.000"; Sleeved Engine	31 (cont.)		
-----------------------	--	-----------------------	--	--

Cylinder Components

Cylinder Sleeve Assembly	15.0:1 CR, With 8N3182 Piston, 1.500" Diameter Pin, Dual Ni-Resist Inserts, 4MM/.156" Oil Ring, Late Skirt Profile, 0R1692 Identifies Piston Pack, 2506556 is Cat Classic Reference	0R1692 2506556	226-1967	4
Cylinder Sleeve	With Seals	1105800 3715941	226-4493	4
Cylinder Sleeve (Bare)		1105800 3715941	226-4493X	4
Piston	17.5:1 CR, 1.700" Diameter Pin, Rectangular Compression Rings, Dual Ni-Resist Inserts, Bolt In Heat Plug	9N5250	224-3034	4
	1.500" Diameter Pin, Dual Ni-Resist Inserts, 4MM/.156" Oil Ring, Late Skirt Profile, Requires Ring Set S40963 Sold Separately	8N3182	224-3369	4
Piston (Bare)	17.5:1 CR, 1.700" Diameter Pin, Rectangular Compression Rings, Dual Ni-Resist Inserts, Bolt In Heat Plug	9N5250	224-3034X	4
	1.500" Diameter Pin, Dual Ni-Resist Inserts, 4MM/.156" Oil Ring, Late Skirt Profile, Contained Within 226-1967, Requires Ring Set S40963 Sold Separately, Use With Piston Pin 223-1829 And Locks 223-5503	8N3182	224-3369X	4
Ring Set	Contains OE#s: Top 9S3029, Intermediate 5S6750, And Oil 9S7788, .219"/5.5MM Oil Ring	9S3068	S40963	4
Piston Pin	1.500" Diameter, 3.730" Length	7N9804	223-1829	4
	1.699" Diameter, 3.730" Length	7N9805	223-1835	4
Lock Ring	2 Per Package	1S9543	223-5502	4
	2 Per Package	9H4015	223-5503	4
Sleeve O-Ring Kit	Contains OE#s: 5S6670(3) And 9L5854	5P8768	223-7188	4

Engine Gaskets

Engine Valve Stem Seal Set	12 Per Package, Cost Per Seal	6N7174	B45886	8
Engine Oil Pan Gasket Set	2 Piece Oil Pan	4338194	OS32274	1
Engine Timing Cover Seal		9Y9895	67767	1

Bearings

Connecting Rod Bearing (Pair)		4W5739	CB-619AL	4
		8N8221	CB-619AL-10	
		8N8222	CB-619AL-20	
		8N8223	CB-619AL-30	
		Exclusive	CB-619AL-50	
Main Bearing Set	Contains Straight Shell Bearings, Thin Wall .156", Requires Thrust Washers, MS-1113AL Contains OE# 2323233(5), MS-1113AL-10 Contains OE#	2323233 8S3978	MS-1113AL	1
		See Note	MS-1113AL-10	



PART	NOTES	OE INTERCHANGE NUMBER	PART NUMBER	ORDER QTY
------	-------	-----------------------	-------------	-----------

31 (cont.)	Engine Code: 'D330C' 4 Cyl, 7.0L / 425 CID, Bore 120.7mm / 4.750", Stroke 152.4mm / 6.000"; Sleeved Engine	31 (cont.)		
-----------------------------	--	-----------------------------	--	--

Bearings

Main Bearing Set	3148652(5), MS-1113AL-20 Contains OE# 8N8226(5), And MS-1113AL-30 Contains OE# 8N8227(5)	See Note	MS-1113AL-20	1
		See Note	MS-1113AL-30	
	Contains Lower Half Flanged Bearing, Thin Wall .156", Standard Set Contains OE# 2323233(4), 7S9439, .010" Undersize Set Contains OE# 3148652(4), 7S9844, .020" Undersize Set Contains OE# 8N8226(4), 7S9845	See Note	MS-957AL	
		See Note	MS-957AL-10	
Main Bearings (Single, Pair)	Straight Shell Bearing	2323233	MB-2580AL	4
		3148652	MB-2580AL-10	
		8N8226	MB-2580AL-20	
		8N8227	MB-2580AL-30	
	Flanged Bearing	7S9439	MB-2581AL	1
		7S9844	MB-2581AL-10	
		7S9845	MB-2581AL-20	
Thrust Washer Set	2 Per Package	6N8940	TW-252S	1
	2 Per Package, .232" Oversize Length	9S3037	TW-409S	1
	2 Per Package, .215" Oversize Length	1003652	TW-693S	1
Thrust Washer (Individual)		6N8940	MB-2580W	2
	.232" Oversize Length	9S3037	MB-3057W	2
	.215" Oversize Length	1003652	MB-3451W	2

Valve Train & Ancillary

Valve (Intake)	2.020" Head Diameter, .3717" Stem, 5.510" Length, 30° Seat, Stellite, 2 Groove, Indirect Injection, Turbocharged, 2 Valve, Spark Ignited, Short Valve	2W2621	211-2491	4
	2.020" Head Diameter, 5.350" Length, .3717" Stem, 30° Seat, Non-Stellite, 2 Groove, Small Margin Valve, 2 Valve	1007860	211-3339	4
Valve (Exhaust)	1.896" Head Diameter, 5.469" Length, .3717" Stem, 30° Seat, Stellite, 2 Groove, Indirect Injection, Turbocharged, 2 Valve	8N0875	211-2492	4
	1.896" Head Diameter, 5.300" Length, Stellite Face Small Margin Valve, Direct Injection	1487455	211-3306	4
Valve Guide (Intake & Exhaust)	16.708MM/0.6578" OD, 9.525MM/0.375" ID, 70.637MM/ 2.781" Length, No Step For Seal	2P1262	217-3260	8

Crankshaft

Crankshaft	Without Gear, Short Nose	3370872	247-5067	1
-------------------	--------------------------	---------	-----------------	---

32	Engine Code: '3306' 6 Cyl, 10.5L / 638 CID, Bore 120.7mm / 4.750", Stroke 152.4mm / 6.000"; Sleeved Engine	32		
-----------	--	-----------	--	--

Cylinder Components

Cylinder Sleeve Assembly	17.5:1 CR, With 9N5250 Piston, 1.700" Diameter Pin, Rectangular Compression Rings, Dual Ni-Resist Inserts, Bolt In Heat Plug, 0R1694 Identifies Piston Pack	0R1694	226-1695	6
---------------------------------	---	--------	-----------------	---



PART	NOTES	OE INTERCHANGE NUMBER	PART NUMBER	ORDER QTY
------	-------	-----------------------	-------------	-----------

32 (cont.)	Engine Code: '3306' 6 Cyl, 10.5L / 638 CID, Bore 120.7mm / 4.750", Stroke 152.4mm / 6.000"; Sleeved Engine			32 (cont.)
-----------------------	--	--	--	-----------------------

Cylinder Components

Cylinder Sleeve Assembly	With 9N5403 Piston, 1.700" Diameter Pin, Keystone Compression Rings, Dual Ni-Resist Inserts, Bolt In Heat Plug, 0R1695 Identifies Piston Pack	0R1695	226-1882	6
	15.1:1 CR, With 1290358 Piston, Retangular Rings, No Heat Plug, Direct Injection, Tapered Rod, 3MM/.125" Oil Ring, 0R1696 Identifies Piston Pack	0R1696	226-1889	6
	15.0:1 CR, With 8N3182 Piston, 1.500" Diameter Pin, Dual Ni-Resist Inserts, 4MM/.156" Oil Ring, Late Skirt Profile, 0R1692 Identifies Piston Pack, 2506556 is Cat Classic Reference	0R1692 2506556	226-1967	6
	17.5:1 CR, With 1654262 Piston, 4MM/.156" Oil Ring, 1.700" Diameter Pin, 0R1697 Identifies Piston Pack, 2704353 is Cat Classic References	0R1697 2704353	226-1968	6
	17.0:1 CR, With 1073565 Piston, 285-305HP, Keystone Compression Rings, Direct Injection, 1.700" Diameter Pin, 0R4635 Identifies Piston Pack	0R4635	226-1974	6
	17.0:1 CR, With OE# Piston 1548087, 1.700" Diameter Pin, Direct Injection, 285-305HP, OE Piston Pack# 0R4506	0R4506	226-1975	6
	16.0:1 CR, With OE# Piston 1684531, 1.700" Diameter Pin, Direct Injection, 4MM/.156" Oil Ring, OE Piston Pack# 0R3043	0R3043	226-1988	6
	16.0:1 CR, With 1646560 Piston, Rectangular Compression Rings, 4MM Oil Rings, 0R4488 Identifies Piston Pack	0R4488	226-2047	6
Cylinder Sleeve	With Seals	1105800 3715941	226-4493	6
Cylinder Sleeve (Bare)		1105800 3715941	226-4493X	6
Piston	17.5:1 CR, 1.700" Diameter Pin, Rectangular Compression Rings, Dual Ni-Resist Inserts, Bolt In Heat Plug	9N5250	224-3034	6
	15.1:1 CR, Rectangular Compression Rings, 3MM/.125" Oil Ring, No Heat Plug, Direct Injection, Tapered Rod	1290358	224-3297	6
	17.5:1 CR, 1.700" Diameter Pin, 4MM/.156" Oil Ring, Requires Ring Set S41942 Sold Separately	1654262	224-3368	6
	1.500" Diameter Pin, Dual Ni-Resist Inserts, 4MM/.156" Oil Ring, Late Skirt Profile, Requires Ring Set S40963 Sold Separately	8N3182	224-3369	6
	17.0:1 CR, 1.700" Diameter Pin, Direct Injection, 285-305HP	1548087	224-3396	6
	16.0:1 CR, 1.700" Diameter Pin, Direct Injection, 4MM/.156" Oil Ring	1684531	224-3586	6
Piston (Bare)	17.5:1 CR, 1.700" Diameter Pin, Rectangular Compression Rings, Dual Ni-Resist Inserts, Bolt In Heat Plug	9N5250	224-3034X	6



PART	NOTES	OE INTERCHANGE NUMBER	PART NUMBER	ORDER QTY
------	-------	-----------------------	-------------	-----------

32 (cont.)	Engine Code: '3306' 6 Cyl, 10.5L / 638 CID, Bore 120.7mm / 4.750", Stroke 152.4mm / 6.000"; Sleeved Engine			32 (cont.)
-----------------------	--	--	--	-----------------------

Cylinder Components (cont.)

Piston (Bare)	15.1:1 CR, Retangular Rings, 3MM/.125" Oil Ring, No Heat Plug, Direct Injection, Tapered Rod, Contained Within 226-1889, Requires Ring Set S41653 Sold Separately, Use With Piston Pin 223-1835 And Locks 223-5502	1290358	224-3297X	6
	17.5:1 CR, 1.700" Diameter Pin, 4MM/.156" Oil Ring, Contained Within 226-1968, Requires Ring Set S41942 Sold Separately, Use With Piston Pin 223-1835 And Locks 223-5502	1654262	224-3368X	6
	1.500" Diameter Pin, Dual Ni-Resist Inserts, 4MM/.156" Oil Ring, Late Skirt Profile, Contained Within 226-1967, Requires Ring Set S40963 Sold Separately, Use With Piston Pin 223-1829 And Locks 223-5503	8N3182	224-3369X	6
	17.0:1 CR, 1.700" Diameter Pin, Direct Injection, 285-305HP, Contained Within 226-1975, Use With Piston Pin 223-1835 And Locks 223-5502	1548087	224-3396X	6
	16.0:1 CR, 1.700" Diameter Pin, Direct Injection, 4MM/.156" Oil Ring, Contained Within 226-1988, Use With Piston Pin 223-1835 And Locks 223-5502	1684531	224-3586X	6
	16.0:1 CR, Contained Within 226-2047, Use With Piston Pin 223-1835 And Locks 223-5502	1646560	224-3748X	6
	Ring Set	Contains OE#s: Top 9S3029, Intermediate 5S6750, And Oil 9S7788, .219"/5.5MM Oil Ring	9S3068	S40963
Contains OE#s: Top 2W1707, Intermediate 2W1708, And Oil 7E6047, .118"/3MM Oil Ring, Keystone Compression Rings		2W1709	S41394	6
Contains OE#s: Top 9S3029, Intermediate 5S6750, And Oil 7E6047, .118"/3MM Oil Ring, Rectangular Compression Rings		2W6091	S41653	6
Contains OE#s: Top 2W1707, Intermediate 2W1708, And Oil 6I0497, .156"/4MM Oil Ring, Keystone Compression Rings		2114321	S41942	6
Contains OE#s: Top 1006694, Intermediate 1006695, And Oil 6I0497, 2 Keystone, Reverse Twist Intermediate, 0.156/4MM Thick		See Note	S42054	6
Contains OE#s: Top 9S3029, Intermediate 5S6750, And Oil 6I0497		See Note	S42139	6
Piston Pin		1.500" Diameter, 3.730" Length	7N9804	223-1829
	1.699" Diameter, 3.730" Length	7N9805	223-1835	6
Lock Ring	2 Per Package	1S9543	223-5502	6
	2 Per Package	9H4015	223-5503	6
	2 Per Package	8N7296	223-5508	6
Sleeve O-Ring Kit	Contains OE#s: 5S6670(3) And 9L5854	5P8768	223-7188	6

Engine Gaskets

Engine Cylinder Head Gasket Set		6V2531	HS4966	1
		1551380	HS54163-1	1



PART	NOTES	OE INTERCHANGE NUMBER	PART NUMBER	ORDER QTY
------	-------	-----------------------	-------------	-----------

32 (cont.)	Engine Code: '3306' 6 Cyl, 10.5L / 638 CID, Bore 120.7mm / 4.750", Stroke 152.4mm / 6.000"; Sleeved Engine	32 (cont.)		
-----------------------	--	-----------------------	--	--

Engine Gaskets

Engine Cylinder Head Gasket Set		3E7471	HS54163-11	1
		1551379	HS54163-12	1
		8T1622	HS54163-3	1
		2348002	HS54163-7	1
		2347988	HS54163-8	1
		6V2527	HS54163-9	1
	Consolidated Set, S/N 76R273-3473	5P9098 6V0712	HS54235-2	1
		6V0715	HS54235-3	1
Engine Conversion Gasket Set		1873252	CS4930A	1
		1870605	CS54163-1	1
		5P8767	CS54163-2	1
		5P9099	CS54163-3	1
		1873255	CS54163-4	1
		6V2514	CS54163-5	1
		6V8023	CS54163-6	1
		8T7039	CS54163-7	1
Engine Cylinder Head Gasket		1118015	54163	1
		6N7263	54235	1
Engine Valve Cover Gasket Set		8S1605	VS50315	1
Engine Valve Cover Gasket	Rocker Gasket, Seal Stock, 3 Meters Long, 4.19MM X 9.52MM	5P5678	VS50518	1
Engine Valve Stem Seal Set	12 Per Package, Cost Per Seal	6N7174	B45886	12
Engine Oil Pan Gasket Set	Oil Pan Gasket Only, 1 Piece Oil Pan, Segmented For Both 4 And 6 Cylinder Engines	1694200	OS32166	1
	2 Piece Oil Pan	1694199	OS32224	1
Engine Timing Cover Gasket Set		1402246	JV5115	1
		5P9100	JV5116	1
		6V1658	JV5117	1
		6V4763	JV5118	1
		1208998	JV5120	1
		1387720	JV5121	1
		6V1549	JV5122	1
		7X2833	JV5124	1
		8T9485	JV5125	1
		6V0611	JV5126	1
		6V4785	JV5127	1
	Consolidated Set	8C5051 9X8563	JV5128	1



PART	NOTES	OE INTERCHANGE NUMBER	PART NUMBER	ORDER QTY
------	-------	-----------------------	-------------	-----------

32 (cont.)	Engine Code: '3306' 6 Cyl, 10.5L / 638 CID, Bore 120.7mm / 4.750", Stroke 152.4mm / 6.000"; Sleeved Engine			32 (cont.)
-----------------------	--	--	--	-----------------------

Engine Gaskets (cont.)

Engine Timing Cover Gasket Set		5P9416	JV5147	1
		5P9568	JV5148	1
Engine Timing Cover Seal		7K9201	49353	1
		9Y9895	67767	1
Rear Main Seal Set		1383069	JV1686	1
		6V2982	JV1706	1
		6V2983	JV1707	1
		6V5976	JV1708	1
		2801470	JV1710	1
		8C8745	JV1711	1
		8T2466	JV1712	1
	Consolidated Set	1417278 8C8741	JV1713	1
Rear Main Seal	Late Engine, 4.336" OD, Counterclockwise	4W0452	67645	1
		7C4297	67821	1

Bearings

Connecting Rod Bearing (Pair)		4W5739	CB-619AL	6
		8N8221	CB-619AL-10	
		8N8222	CB-619AL-20	
		8N8223	CB-619AL-30	
		Exclusive	CB-619AL-50	
Main Bearing Set	Contains Straight Shell Bearings, Requires Thrust Washers, MS-1114AL Contains OE# 2323233(7), MS-1114AL-10 Contains OE# 3148652(7), MS-1114AL-20 Contains OE# 8N8226(7), And MS-1114AL-30 Contains OE# 8N8227(7)	1969534	MS-1114AL	1
		See Note	MS-1114AL-10	
		See Note	MS-1114AL-20	
		See Note	MS-1114AL-30	
Main Bearing Set	Contains Flanged Bearing, Standard Size Set Contains OE# 2323233(6), 7S9439, .010" Undersize Set Contains OE# 3148652(6), 7S9844, .020" Undersize Set Contains OE# 8N8226(6), 7S9845	See Note	MS-958AL	1
		See Note	MS-958AL-10	
		See Note	MS-958AL-20	
Main Bearings (Single, Pair)	Straight Shell Bearing	2323233	MB-2580AL	6
		3148652	MB-2580AL-10	
		8N8226	MB-2580AL-20	
		8N8227	MB-2580AL-30	
	Flanged Bearing	7S9439	MB-2581AL	1
		7S9844	MB-2581AL-10	
		7S9845	MB-2581AL-20	
Thrust Washer Set	2 Per Package	6N8940	TW-252S	1
	2 Per Package, .232" Oversize Length	9S3037	TW-409S	1
	2 Per Package, .215" Oversize Length	1003652	TW-693S	1



PART	NOTES	OE INTERCHANGE NUMBER	PART NUMBER	ORDER QTY
------	-------	-----------------------	-------------	-----------

32 (cont.)	Engine Code: '3306' 6 Cyl, 10.5L / 638 CID, Bore 120.7mm / 4.750", Stroke 152.4mm / 6.000"; Sleeved Engine			32 (cont.)
-----------------------	---	--	--	-----------------------

Bearings

Thrust Washer (Individual)		6N8940	MB-2580W	2
	.232" Oversize Length	9S3037	MB-3057W	2
	.215" Oversize Length	1003652	MB-3451W	2
Piston Pin Bushing	Tapered Rod, Large Pin 1.700"	3790196	223-3706	6
	Straight Rod, Small Pin 1.500"	7S9347	223-3707	6
	Tapered Rod, Small Pin 1.500"	8N1985	223-3708	6
Camshaft Bearing		8H9654	SH-2170•	4
		9M5477	SH-2171•	1

Valve Train & Ancillary

Valve (Intake)	2.020" Head Diameter, .3717" Stem, 5.510" Length, 30° Seat, Stellite, 2 Groove, Indirect Injection, Turbocharged, 2 Valve, Spark Ignited, Short Valve	2W2621	211-2491	6
	2.020" Head Diameter, 5.350" Length, .3717" Stem, 30° Seat, Non-Stellite, 2 Groove, Small Margin Valve, 2 Valve	1007860	211-3339	6
Valve (Exhaust)	1.896" Head Diameter, 5.469" Length, .3717" Stem, 30° Seat, Stellite, 2 Groove, Indirect Injection, Turbocharged, 2 Valve	8N0875	211-2492	6
	1.896" Head Diameter, 5.300" Length, Stellite Face Small Margin Valve, Direct Injection	1487455	211-3306	6
Valve Guide (Intake & Exhaust)	16.708MM/0.6578" OD, 9.525MM/0.375" ID, 70.637MM/2.781" Length, No Step For Seal	2P1262	217-3260	12

Filters

Spin-on fuel filter		1006374 1174089 1383100	KC 227	1
	Water Separator	1290373 1335671 1335673	KC 430D	1

Turbochargers

Turbocharger		0R5807 7N7748	127 TC 15122 000	1
		0R5812 4N9618	127 TC 21102 000•	1
		0R5385 4N9544	127 TC 21103 000•	1
		0R6342 7C8632	127 TC 21104 000•	1
		0R7213	127 TC 24164 000	1
		1106979	127 TC 24169 000•	1
		0R6376 4P9584	127 TC 24174 000•	1
		0R5799 4N6859	127 TC 27057 000•	1



PART	NOTES	OE INTERCHANGE NUMBER	PART NUMBER	ORDER QTY
------	-------	-----------------------	-------------	-----------

32 (cont.)	Engine Code: '3306' 6 Cyl, 10.5L / 638 CID, Bore 120.7mm / 4.750", Stroke 152.4mm / 6.000"; Sleeved Engine			32 (cont.)
-----------------------------	--	--	--	-----------------------------

Crankshaft

Crankshaft	Without Gear	2W7458	247-5050	1
	With Gear	3348389	247-5218	1

33	Engine Code: 'D333C' 6 Cyl, 10.5L / 638 CID, Bore 120.7mm / 4.750", Stroke 152.4mm / 6.000"			33
-----------	---	--	--	-----------

Cylinder Components

Cylinder Sleeve Assembly	17.5:1 CR, With 9N5250 Piston, 1.700" Diameter Pin, Rectangular Compression Rings, Dual Ni-Resist Inserts, Bolt In Heat Plug, 0R1694 Identifies Piston Pack	0R1694	226-1695	6
	15.0:1 CR, With 8N3182 Piston, 1.500" Diameter Pin, Dual Ni-Resist Inserts, 4MM/.156" Oil Ring, Late Skirt Profile, 0R1692 Identifies Piston Pack, 2506556 is Cat Classic Reference	0R1692 2506556	226-1967	6
Cylinder Sleeve	With Seals	1105800 3715941	226-4493	6
Cylinder Sleeve (Bare)		1105800 3715941	226-4493X	6
Piston	17.5:1 CR, 1.700" Diameter Pin, Rectangular Compression Rings, Dual Ni-Resist Inserts, Bolt In Heat Plug	9N5250	224-3034	6
	1.500" Diameter Pin, Dual Ni-Resist Inserts, 4MM/.156" Oil Ring, Late Skirt Profile, Requires Ring Set S40963 Sold Separately	8N3182	224-3369	6
Piston (Bare)	17.5:1 CR, 1.700" Diameter Pin, Rectangular Compression Rings, Dual Ni-Resist Inserts, Bolt In Heat Plug	9N5250	224-3034X	6
	1.500" Diameter Pin, Dual Ni-Resist Inserts, 4MM/.156" Oil Ring, Late Skirt Profile, Contained Within 226-1967, Requires Ring Set S40963 Sold Separately, Use With Piston Pin 223-1829 And Locks 223-5503	8N3182	224-3369X	6
Ring Set	Contains OE#'s: Top 9S3029, Intermediate 5S6750, And Oil 9S7788, .219"/5.5MM Oil Ring	9S3068	S40963	6
Piston Pin	1.500" Diameter, 3.730" Length	7N9804	223-1829	6
	1.699" Diameter, 3.730" Length	7N9805	223-1835	6
Lock Ring	2 Per Package	1S9543	223-5502	6
	2 Per Package	9H4015	223-5503	6
Sleeve O-Ring Kit	Contains OE#'s: 5S6670(3) And 9L5854	5P8768	223-7188	6

Bearings

Connecting Rod Bearing (Pair)		4W5739	CB-619AL	6
		8N8221	CB-619AL-10	
		8N8222	CB-619AL-20	
		8N8223	CB-619AL-30	
		Exclusive	CB-619AL-50	



PART	NOTES	OE INTERCHANGE NUMBER	PART NUMBER	ORDER QTY
------	-------	-----------------------	-------------	-----------

33 (cont.)	Engine Code: 'D333C' 6 Cyl, 10.5L / 638 CID, Bore 120.7mm / 4.750", Stroke 152.4mm / 6.000"	33 (cont.)		
-----------------------	---	-----------------------	--	--

Bearings

Main Bearing Set	Contains Straight Shell Bearings, Requires Thrust Washers, MS-1114AL Contains OE# 2323233(7), MS-1114AL-10 Contains OE# 3148652(7), MS-1114AL-20 Contains OE# 8N8226(7), And MS-1114AL-30 Contains OE# 8N8227(7)	1969534	MS-1114AL	1
		See Note	MS-1114AL-10	
		See Note	MS-1114AL-20	
		See Note	MS-1114AL-30	
	Contains Flanged Bearing, Standard Size Set Contains OE# 2323233(6), 7S9439, .010" Undersize Set Contains OE# 3148652(6), 7S9844, .020" Undersize Set Contains OE# 8N8226(6), 7S9845	See Note	MS-958AL	1
		See Note	MS-958AL-10	
See Note		MS-958AL-20		
Main Bearings (Single, Pair)	Straight Shell Bearing	2323233	MB-2580AL	6
		3148652	MB-2580AL-10	
		8N8226	MB-2580AL-20	
		8N8227	MB-2580AL-30	
	Flanged Bearing	7S9439	MB-2581AL	1
		7S9844	MB-2581AL-10	
		7S9845	MB-2581AL-20	
Thrust Washer Set	2 Per Package	6N8940	TW-252S	1
	2 Per Package, .232" Oversize Length	9S3037	TW-409S	1
	2 Per Package, .215" Oversize Length	1003652	TW-693S	1
Thrust Washer (Individual)		6N8940	MB-2580W	2
	.232" Oversize Length	9S3037	MB-3057W	2
	.215" Oversize Length	1003652	MB-3451W	2

Valve Train & Ancillary

Valve (Intake)	2.020" Head Diameter, .3717" Stem, 5.510" Length, 30° Seat, Stellite, 2 Groove, Indirect Injection, Turbocharged, 2 Valve, Spark Ignited, Short Valve	2W2621	211-2491	6
	2.020" Head Diameter, 5.350" Length, .3717" Stem, 30° Seat, Non-Stellite, 2 Groove, Small Margin Valve, 2 Valve	1007860	211-3339	6
Valve (Exhaust)	1.896" Head Diameter, 5.469" Length, .3717" Stem, 30° Seat, Stellite, 2 Groove, Indirect Injection, Turbocharged, 2 Valve	8N0875	211-2492	6
	1.896" Head Diameter, 5.300" Length, Stellite Face Small Margin Valve, Direct Injection	1487455	211-3306	6
Valve Guide (Intake & Exhaust)	16.708MM/0.6578" OD, 9.525MM/0.375" ID, 70.637MM/ 2.781" Length, No Step For Seal	2P1262	217-3260	12

Turbochargers

Turbocharger		0R5809 4N8969	127 TC 17332 000	1
---------------------	--	------------------	-------------------------	---

Crankshaft

Crankshaft	Without Gear	2W7458	247-5050	1
-------------------	--------------	--------	-----------------	---



PART	NOTES	OE INTERCHANGE NUMBER	PART NUMBER	ORDER QTY
------	-------	-----------------------	-------------	-----------

34	Engine Code: '3304' 4 Cyl, 7.0L / 425 CID, Bore 120.7mm / 4.750", Stroke 152.4mm / 6.000"			34
-----------	---	--	--	-----------

Cylinder Components

Cylinder Sleeve Assembly	17.5:1 CR, With 9N5250 Piston, 1.700" Diameter Pin, Rectangular Compression Rings, Dual Ni-Resist Inserts, Bolt In Heat Plug, 0R1694 Identifies Piston Pack	0R1694	226-1695	4
	With 9N5403 Piston, 1.700" Diameter Pin, Keystone Compression Rings, Dual Ni-Resist Inserts, Bolt In Heat Plug, 0R1695 Identifies Piston Pack	0R1695	226-1882	4
	15.1:1 CR, With 1290358 Piston, Rectangular Rings, No Heat Plug, Direct Injection, Tapered Rod, 3MM/.125" Oil Ring, 0R1696 Identifies Piston Pack	0R1696	226-1889	4
	15.0:1 CR, With 8N3182 Piston, 1.500" Diameter Pin, Dual Ni-Resist Inserts, 4MM/.156" Oil Ring, Late Skirt Profile, 0R1692 Identifies Piston Pack, 2506556 is Cat Classic Reference	0R1692 2506556	226-1967	4
	17.5:1 CR, With 1654262 Piston, 4MM/.156" Oil Ring, 1.700" Diameter Pin, 0R1697 Identifies Piston Pack, 2704353 is Cat Classic References	0R1697 2704353	226-1968	4
	17.0:1 CR, With 1073565 Piston, 285-305HP, Keystone Compression Rings, Direct Injection, 1.700" Diameter Pin, 0R4635 Identifies Piston Pack	0R4635	226-1974	4
	16.0:1 CR, With OE# Piston 1684531, 1.700" Diameter Pin, Direct Injection, 4MM/.156" Oil Ring, OE Piston Pack# 0R3043	0R3043	226-1988	4
	16.0:1 CR, With 1646560 Piston, Rectangular Compression Rings, 4MM Oil Rings, 0R4488 Identifies Piston Pack	0R4488	226-2047	4
Cylinder Sleeve	With Seals	1105800 3715941	226-4493	4
Cylinder Sleeve (Bare)		1105800 3715941	226-4493X	4
Piston	17.5:1 CR, 1.700" Diameter Pin, Rectangular Compression Rings, Dual Ni-Resist Inserts, Bolt In Heat Plug	9N5250	224-3034	4
		4P2654	224-3271	4
	15.1:1 CR, Rectangular Compression Rings, 3MM/.125" Oil Ring, No Heat Plug, Direct Injection, Tapered Rod	1290358	224-3297	4
	17.5:1 CR, 1.700" Diameter Pin, 4MM/.156" Oil Ring, Requires Ring Set S41942 Sold Separately	1654262	224-3368	4
	1.500" Diameter Pin, Dual Ni-Resist Inserts, 4MM/.156" Oil Ring, Late Skirt Profile, Requires Ring Set S40963 Sold Separately	8N3182	224-3369	4
	17.0:1 CR, Keystone Compression Rings, Direct Injection, 285-305HP	1073565	224-3395	4
	16.0:1 CR, 1.700" Diameter Pin, Direct Injection, 4MM/.156" Oil Ring	1684531	224-3586	4
Piston (Bare)	17.5:1 CR, 1.700" Diameter Pin, Rectangular Compression Rings, Dual Ni-Resist Inserts, Bolt In Heat Plug	9N5250	224-3034X	4



PART	NOTES	OE INTERCHANGE NUMBER	PART NUMBER	ORDER QTY
------	-------	-----------------------	-------------	-----------

34 (cont.)	Engine Code: '3304' 4 Cyl, 7.0L / 425 CID, Bore 120.7mm / 4.750", Stroke 152.4mm / 6.000"			34 (cont.)
-----------------------	---	--	--	-----------------------

Cylinder Components

Piston (Bare)	15.1:1 CR, Retangular Rings, 3MM/.125" Oil Ring, No Heat Plug, Direct Injection, Tapered Rod, Contained Within 226-1889, Requires Ring Set S41653 Sold Separately, Use With Piston Pin 223-1835 And Locks 223-5502	1290358	224-3297X	4
	17.5:1 CR, 1.700" Diameter Pin, 4MM/.156" Oil Ring, Contained Within 226-1968, Requires Ring Set S41942 Sold Separately, Use With Piston Pin 223-1835 And Locks 223-5502	1654262	224-3368X	4
	1.500" Diameter Pin, Dual Ni-Resist Inserts, 4MM/.156" Oil Ring, Late Skirt Profile, Contained Within 226-1967, Requires Ring Set S40963 Sold Separately, Use With Piston Pin 223-1829 And Locks 223-5503	8N3182	224-3369X	4
	17.0:1 CR, 285-305HP, Keystone Compression Rings, Direct Injection, Contained Within 226-1974, Use With Piston Pin 223-1835 And Locks 223-5502	1073565	224-3395X	4
	16.0:1 CR, Contained Within 226-2047, Use With Piston Pin 223-1835 And Locks 223-5502	1646560	224-3748X	4
Ring Set	Contains OE#s: Top 9S3029, Intermediate 5S6750, And Oil 9S7788, .219"/5.5MM Oil Ring	9S3068	S40963	4
	Contains OE#s: Top 2W1707, Intermediate 2W1708, And Oil 7E6047, .118"/3MM Oil Ring, Keystone Compression Rings	2W1709	S41394	4
	Contains OE#s: Top 9S3029, Intermediate 5S6750, And Oil 7E6047, .118"/3MM Oil Ring, Rectangular Compression Rings	2W6091	S41653	4
	Contains OE#s: Top 2W1707, Intermediate 2W1708, And Oil 6I0497, .156"/4MM Oil Ring, Keystone Compression Rings	2114321	S41942	4
	Contains OE#s: Top 1006694, Intermediate 1006695, And Oil 6I0497, 2 Keystone, Reverse Twist Intermediate, 0.156/4MM Thick	See Note	S42054	4
	Contains OE#s: Top 9S3029, Intermediate 5S6750, And Oil 6I0497	See Note	S42139	4
Piston Pin	1.500" Diameter, 3.730" Length	7N9804	223-1829	4
	1.699" Diameter, 3.730" Length	7N9805	223-1835	4
Lock Ring	2 Per Package	1S9543	223-5502	4
	2 Per Package	9H4015	223-5503	4
Sleeve O-Ring Kit	Contains OE#s: 5S6670(3) And 9L5854	5P8768	223-7188	4

Engine Gaskets

Engine Cylinder Head Gasket Set		6V0602	HS54100-4	1
		5P9414	HS54218-1	1
	Consolidated Set	6V0260 6V0600 6V2246	HS54218-3	1
Engine Conversion Gasket Set		6V0605	CS54100-2	1



PART	NOTES	OE INTERCHANGE NUMBER	PART NUMBER	ORDER QTY
------	-------	-----------------------	-------------	-----------

34 (cont.)	Engine Code: '3304' 4 Cyl, 7.0L / 425 CID, Bore 120.7mm / 4.750", Stroke 152.4mm / 6.000"			34 (cont.)
-----------------------	---	--	--	-----------------------

Engine Gaskets

Engine Conversion Gasket Set		8T9486	CS54100-3	1
	Consolidated Set	6V4778 8C8432	CS54100-4	1
	Consolidated Set	1208883 1417274 1417953	CS54100-5	1
		5P9415	CS54100-6	1
		6V0607	CS54100-7	1
In-frame Overhaul Set	Covers OE# 6V602, 6V0603 Head Sets And 5S6045, 8S1963 Oil Pan Gaskets For Engines Without Cylinder Head Shim	See Note	EK3531	1
	Covers OE# 6V2209, 6V2523, 2348020 Head Sets And 5S6045, 8S1963 Oil Pan Gaskets, For Engines With Cylinder Head Shim	See Note	EK3532	1
Engine Cylinder Head Gasket		4P8915	54100	1
		7N7386	54218	1
Engine Valve Stem Seal Set	12 Per Package, Cost Per Seal	6N7174	B45886	8
Engine Oil Pan Gasket Set	2 Piece Oil Pan	4338194	OS32274	1
Engine Timing Cover Gasket Set		1402246	JV5115	1
		6V1658	JV5117	1
		6V4763	JV5118	1
		1208998	JV5120	1
		1387720	JV5121	1
		6V1549	JV5122	1
		6V2466	JV5123	1
		8T9485	JV5125	1
		6V0611	JV5126	1
		6V4785	JV5127	1
	Consolidated Set	8C5051 9X8563	JV5128	1
		5P9416	JV5147	1
		5P9568	JV5148	1
Engine Timing Cover Seal		7K9201	49353	1
		9Y9895	67767	1
Rear Main Seal Set		1383069	JV1686	1
		6V2982	JV1706	1
		6V2983	JV1707	1
		6V5976	JV1708	1
	Consolidated Set	1417278 8C8741	JV1713	1
Rear Main Seal	Late Engine, 4.336" OD, Counterclockwise	4W0452	67645	1



PART	NOTES	OE INTERCHANGE NUMBER	PART NUMBER	ORDER QTY
34 (cont.)	Engine Code: '3304' 4 Cyl, 7.0L / 425 CID, Bore 120.7mm / 4.750", Stroke 152.4mm / 6.000"			34 (cont.)
Engine Gaskets (cont.)				
Rear Main Seal		7C4297	67821	1
Bearings				
Connecting Rod Bearing (Pair)		4W5739	CB-619AL	4
		8N8221	CB-619AL-10	
		8N8222	CB-619AL-20	
		8N8223	CB-619AL-30	
		Exclusive	CB-619AL-50	
Main Bearing Set	Contains Straight Shell Bearings, Thin Wall .156", Requires Thrust Washers, MS-1113AL Contains OE# 2323233(5), MS-1113AL-10 Contains OE# 3148652(5), MS-1113AL-20 Contains OE# 8N8226(5), And MS-1113AL-30 Contains OE# 8N8227(5)	2323233	MS-1113AL	1
		8S3978		
		See Note	MS-1113AL-10	
		See Note	MS-1113AL-20	
	Contains Lower Half Flanged Bearing, Thin Wall .156", Standard Set Contains OE# 2323233(4), 7S9439, .010" Undersize Set Contains OE# 3148652(4), 7S9844, .020" Undersize Set Contains OE# 8N8226(4), 7S9845	See Note	MS-957AL	1
		See Note	MS-957AL-10	
		See Note	MS-957AL-20	
Main Bearings (Single, Pair)	Straight Shell Bearing	2323233	MB-2580AL	4
		3148652	MB-2580AL-10	
		8N8226	MB-2580AL-20	
		8N8227	MB-2580AL-30	
	Flanged Bearing	7S9439	MB-2581AL	1
		7S9844	MB-2581AL-10	
		7S9845	MB-2581AL-20	
	Thrust Washer Set	2 Per Package	6N8940	TW-252S
2 Per Package, .232" Oversize Length		9S3037	TW-409S	1
2 Per Package, .215" Oversize Length		1003652	TW-693S	1
Thrust Washer (Individual)		6N8940	MB-2580W	2
	.232" Oversize Length	9S3037	MB-3057W	2
	.215" Oversize Length	1003652	MB-3451W	2
Piston Pin Bushing	Tapered Rod, Large Pin 1.700"	3790196	223-3706	4
	Straight Rod, Small Pin 1.500"	7S9347	223-3707	4
	Tapered Rod, Small Pin 1.500"	8N1985	223-3708	4
Camshaft Bearing		8H9654	SH-2170•	2
		9M5477	SH-2171•	1
Balance Shaft Bearing		9Y2991	SH-2172	4
		3256032 9Y2992	SH-2173	2



PART	NOTES	OE INTERCHANGE NUMBER	PART NUMBER	ORDER QTY
------	-------	-----------------------	-------------	-----------

34 (cont.)	Engine Code: '3304' 4 Cyl, 7.0L / 425 CID, Bore 120.7mm / 4.750", Stroke 152.4mm / 6.000"			34 (cont.)
-----------------------------	---	--	--	-----------------------------

Valve Train & Ancillary

Valve (Intake)	2.020" Head Diameter, .3717" Stem, 5.510" Length, 30° Seat, Stellite, 2 Groove, Indirect Injection, Turbocharged, 2 Valve, Spark Ignited, Short Valve	2W2621	211-2491	4
	2.020" Head Diameter, 5.350" Length, .3717" Stem, 30° Seat, Non-Stellite, 2 Groove, Small Margin Valve, 2 Valve	1007860	211-3339	4
Valve (Exhaust)	1.896" Head Diameter, 5.469" Length, .3717" Stem, 30° Seat, Stellite, 2 Groove, Indirect Injection, Turbocharged, 2 Valve	8N0875	211-2492	4
	1.896" Head Diameter, 5.300" Length, Stellite Face Small Margin Valve, Direct Injection	1487455	211-3306	4
Valve Guide (Intake & Exhaust)	16.708MM/0.6578" OD, 9.525MM/0.375" ID, 70.637MM/ 2.781" Length, No Step For Seal	2P1262	217-3260	8

Turbochargers

Turbocharger		0R5796 7N4651	127 TC 15120 000	1
		0R5799 4N6859	127 TC 27057 000*	1

Crankshaft

Crankshaft	Without Gear, Short Nose	3370872	247-5067	1
	With Gear, Short Nose	3370872	247-5217	1

35	Engine Code: '1673C' 6 Cyl, 10.5L / 638 CID, Bore 120.7mm / 4.750", Stroke 152.4mm / 6.000"; Turbocharged, Sleeved Engine			35
-----------	---	--	--	-----------

Cylinder Components

Cylinder Sleeve Assembly	17.5:1 CR, With 9N5250 Piston, 1.700" Diameter Pin, Rectangular Compression Rings, Dual Ni-Resist Inserts, Bolt In Heat Plug, 0R1694 Identifies Piston Pack	0R1694	226-1695	6
Cylinder Sleeve	With Seals	1105800 3715941	226-4493	6
Cylinder Sleeve (Bare)		1105800 3715941	226-4493X	6
Piston	17.5:1 CR, 1.700" Diameter Pin, Rectangular Compression Rings, Dual Ni-Resist Inserts, Bolt In Heat Plug	9N5250	224-3034	6
Piston (Bare)	17.5:1 CR, 1.700" Diameter Pin, Rectangular Compression Rings, Dual Ni-Resist Inserts, Bolt In Heat Plug	9N5250	224-3034X	6
Ring Set	Contains OE#'s: Top 9S3029, Intermediate 5S6750, And Oil 9S7788, .219"/5.5MM Oil Ring	9S3068	S40963	6
Piston Pin	1.699" Diameter, 3.730" Length	7N9805	223-1835	6
Lock Ring	2 Per Package	1S9543	223-5502	6
Sleeve O-Ring Kit	Contains OE#'s: 5S6670(3) And 9L5854	5P8768	223-7188	6



PART	NOTES	OE INTERCHANGE NUMBER	PART NUMBER	ORDER QTY
------	-------	-----------------------	-------------	-----------

35 (cont.)	Engine Code: '1673C' 6 Cyl, 10.5L / 638 CID, Bore 120.7mm / 4.750", Stroke 152.4mm / 6.000"; Turbocharged, Sleeved Engine			35 (cont.)
-----------------------	---	--	--	-----------------------

Engine Gaskets

Engine Valve Stem Seal Set	12 Per Package, Cost Per Seal	6N7174	B45886	12
-----------------------------------	-------------------------------	--------	---------------	----

Bearings

Connecting Rod Bearing (Pair)		4W5739	CB-619AL	6
		8N8221	CB-619AL-10	
		8N8222	CB-619AL-20	
		8N8223	CB-619AL-30	
		Exclusive	CB-619AL-50	
Main Bearing Set	Contains Straight Shell Bearings, Requires Thrust Washers, MS-1114AL Contains OE# 2323233(7), MS-1114AI-10 Contains OE# 3148652(7), MS-1114AL-20 Contains OE# 8N8226(7), And MS-1114AL-30 Contains OE# 8N8227(7)	1969534	MS-1114AL	1
		See Note	MS-1114AL-10	
		See Note	MS-1114AL-20	
		See Note	MS-1114AL-30	
	Contains Flanged Bearing, Standard Size Set Contains OE# 2323233(6), 7S9439, .010" Undersize Set Contains OE# 3148652(6), 7S9844, .020" Undersize Set Contains OE# 8N8226(6), 7S9845	See Note	MS-958AL	1
		See Note	MS-958AL-10	
		See Note	MS-958AL-20	
Main Bearings (Single, Pair)	Straight Shell Bearing	2323233	MB-2580AL	6
		3148652	MB-2580AL-10	
		8N8226	MB-2580AL-20	
		8N8227	MB-2580AL-30	
	Flanged Bearing	7S9439	MB-2581AL	1
		7S9844	MB-2581AL-10	
		7S9845	MB-2581AL-20	
Thrust Washer Set	2 Per Package	6N8940	TW-252S	1
	2 Per Package, .232" Oversize Length	9S3037	TW-409S	1
	2 Per Package, .215" Oversize Length	1003652	TW-693S	1
Thrust Washer (Individual)		6N8940	MB-2580W	2
	.232" Oversize Length	9S3037	MB-3057W	2
	.215" Oversize Length	1003652	MB-3451W	2

Valve Train & Ancillary

Valve (Intake)	2.020" Head Diameter, .3717" Stem, 5.510" Length, 30° Seat, Stellite, 2 Groove, Indirect Injection, Turbocharged, 2 Valve, Spark Ignited, Short Valve	2W2621	211-2491	6
Valve (Exhaust)	1.896" Head Diameter, 5.469" Length, .3717" Stem, 30° Seat, Stellite, 2 Groove, Indirect Injection, Turbocharged, 2 Valve	8N0875	211-2492	6
Valve Guide (Intake & Exhaust)	16.708MM/0.6578" OD, 9.525MM/0.375" ID, 70.637MM/2.781" Length, No Step For Seal	2P1262	217-3260	12



Sealing Products

PART	NOTES	OE INTERCHANGE NUMBER	PART NUMBER	ORDER QTY
------	-------	-----------------------	-------------	-----------

36	Engine Code: 'G3304' 4 Cyl, 7.0L / 425 CID, Bore 120.7mm / 4.750", Stroke 152.4mm / 6.000"			36
-----------	--	--	--	-----------

Cylinder Components

Cylinder Sleeve Assembly	10.5:1 CR, With 4P2654 Piston, Spark Ignited, Rectangular Compression Rings, 0R3661 Identifies Piston Pack	0R3661	226-1861	4
Cylinder Sleeve	With Seals	1105800 3715941	226-4493	4
Cylinder Sleeve (Bare)		1105800 3715941	226-4493X	4
Piston		4P2654	224-3271	4
Ring Set	Contains OE#'s: Top 5S7570 And Oil 7E6047, Natural Gas, 2 Ring Piston	See Note	S41670•	4
	Contains OE#'s: Top 4P2656, Intermediate 4P2657, And Oil 4P2658, 3 Ring Piston, Rectangular Compression Rings	See Note	S41841•	4
Piston Pin	1.500" Diameter, 3.730" Length	7N9804	223-1829	4
Lock Ring	2 Per Package	9H4015	223-5503	4
Sleeve O-Ring Kit	Contains OE#'s: 5S6670(3) And 9L5854	5P8768	223-7188	4

Engine Gaskets

Engine Conversion Gasket Set		6V0605	CS54100-2	1
Engine Cylinder Head Gasket		4P8915	54100	1
Engine Oil Pan Gasket Set	2 Piece Oil Pan	4338194	OS32274	1
Engine Timing Cover Gasket Set		6V1658	JV5117	1
		6V4763	JV5118	1
	Consolidated Set	8C5051 9X8563	JV5128	1
Engine Timing Cover Seal		9Y9895	67767	1
Rear Main Seal Set		1383069	JV1686	1
		6V2982	JV1706	1
Rear Main Seal	Late Engine, 4.336" OD, Counterclockwise	4W0452	67645	1

Bearings

Connecting Rod Bearing (Pair)		4W5739	CB-619AL	4
		8N8221	CB-619AL-10	
		8N8222	CB-619AL-20	
		8N8223	CB-619AL-30	
		Exclusive	CB-619AL-50	
Main Bearing Set	Contains Straight Shell Bearings, Thin Wall .156", Requires Thrust Washers, MS-1113AL Contains OE# 2323233(5), MS-1113AL-10 Contains OE# 3148652(5), MS-1113AL-20 Contains OE# 8N8226(5), And MS-1113AL-30 Contains OE# 8N8227(5)	2323233 8S3978	MS-1113AL	1
		See Note	MS-1113AL-10	
		See Note	MS-1113AL-20	
		See Note	MS-1113AL-30	



PART	NOTES	OE INTERCHANGE NUMBER	PART NUMBER	ORDER QTY
------	-------	-----------------------	-------------	-----------

36 (cont.)	Engine Code: 'G3304' 4 Cyl, 7.0L / 425 CID, Bore 120.7mm / 4.750", Stroke 152.4mm / 6.000"			36 (cont.)
-----------------------	--	--	--	-----------------------

Bearings

Main Bearing Set	Contains Lower Half Flanged Bearing, Thin Wall .156", Standard Set Contains OE# 2323233(4), 7S9439, .010" Undersize Set Contains OE# 3148652(4), 7S9844, .020" Undersize Set Contains OE# 8N8226(4), 7S9845	See Note	MS-957AL	1
		See Note	MS-957AL-10	
		See Note	MS-957AL-20	
Main Bearings (Single, Pair)	Straight Shell Bearing	2323233	MB-2580AL	4
		3148652	MB-2580AL-10	
		8N8226	MB-2580AL-20	
		8N8227	MB-2580AL-30	
	Flanged Bearing	7S9439	MB-2581AL	1
		7S9844	MB-2581AL-10	
		7S9845	MB-2581AL-20	
Thrust Washer Set	2 Per Package	6N8940	TW-252S	1
	2 Per Package, .232" Oversize Length	9S3037	TW-409S	1
	2 Per Package, .215" Oversize Length	1003652	TW-693S	1
Thrust Washer (Individual)		6N8940	MB-2580W	2
	.232" Oversize Length	9S3037	MB-3057W	2
	.215" Oversize Length	1003652	MB-3451W	2
Camshaft Bearing		8H9654	SH-2170•	2
		9M5477	SH-2171•	1

Valve Train & Ancillary

Valve (Intake)	2.020" Head Diameter, .3717" Stem, 5.510" Length, 30° Seat, Stellite, 2 Groove, Indirect Injection, Turbocharged, 2 Valve, Spark Ignited, Short Valve	2W2621	211-2491	4
Valve Guide (Intake & Exhaust)	16.708MM/0.6578" OD, 9.525MM/0.375" ID, 70.637MM/2.781" Length, No Step For Seal	2P1262	217-3260	8

Crankshaft

Crankshaft	Without Gear, Short Nose	3370872	247-5067	1
	With Gear	9L6266	247-5216	1

37	Engine Code: 'G3306' 6 Cyl, 10.5L / 638 CID, Bore 120.7mm / 4.750", Stroke 152.4mm / 6.000"; Turbocharged-Aftercooled			37
-----------	---	--	--	-----------

Cylinder Components

Cylinder Sleeve Assembly	10.5:1 CR, With 4P2654 Piston, Spark Ignited, Rectangular Compression Rings, 0R3661 Identifies Piston Pack	0R3661	226-1861	6
Cylinder Sleeve	With Seals	1105800 3715941	226-4493	6
Cylinder Sleeve (Bare)		1105800 3715941	226-4493X	6
Piston		4P2654	224-3271	6



PART	NOTES	OE INTERCHANGE NUMBER	PART NUMBER	ORDER QTY
------	-------	-----------------------	-------------	-----------

37 (cont.)	Engine Code: 'G3306' 6 Cyl, 10.5L / 638 CID, Bore 120.7mm / 4.750", Stroke 152.4mm / 6.000"; Turbocharged-Aftercooled			37 (cont.)
-----------------------	---	--	--	-----------------------

Cylinder Components

Ring Set	Contains OE#s: Top 5S7570 And Oil 7E6047, Natural Gas, 2 Ring Piston	See Note	S41670•	6
	Contains OE#s: Top 4P2656, Intermediate 4P2657, And Oil 4P2658, 3 Ring Piston, Rectangular Compression Rings	See Note	S41841•	6
Piston Pin	1.500" Diameter, 3.730" Length	7N9804	223-1829	6
Lock Ring	2 Per Package	9H4015	223-5503	6
Sleeve O-Ring Kit	Contains OE#s: 5S6670(3) And 9L5854	5P8768	223-7188	6

Engine Gaskets

Engine Conversion Gasket Set		1870605	CS54163-1	1
		5P9099	CS54163-3	1
Engine Cylinder Head Gasket		1118015	54163•	1
		6N7263	54235	1
Engine Oil Pan Gasket Set	Oil Pan Gasket Only, 1 Piece Oil Pan, Segmented For Both 4 And 6 Cylinder Engines	1694200	OS32166	1
	2 Piece Oil Pan	1694199	OS32224	1
Engine Timing Cover Gasket Set		6V4763	JV5118	1
Engine Timing Cover Seal		9Y9895	67767	1
Rear Main Seal Set		1383069	JV1686	1
		6V2983	JV1707	1
Rear Main Seal	Late Engine, 4.336" OD, Counterclockwise	4W0452	67645	1

Bearings

Connecting Rod Bearing (Pair)		4W5739	CB-619AL	6
		8N8221	CB-619AL-10	
		8N8222	CB-619AL-20	
		8N8223	CB-619AL-30	
		Exclusive	CB-619AL-50	
Main Bearing Set	Contains Straight Shell Bearings, Requires Thrust Washers, MS-1114AL Contains OE# 2323233(7), MS-1114AL-10 Contains OE# 3148652(7), MS-1114AL-20 Contains OE# 8N8226(7), And MS-1114AL-30 Contains OE# 8N8227(7)	1969534	MS-1114AL	1
		See Note	MS-1114AL-10	
		See Note	MS-1114AL-20	
		See Note	MS-1114AL-30	
	Contains Flanged Bearing, Standard Size Set Contains OE# 2323233(6), 7S9439, .010" Undersize Set Contains OE# 3148652(6), 7S9844, .020" Undersize Set Contains OE# 8N8226(6), 7S9845	See Note	MS-958AL	1
		See Note	MS-958AL-10	
		See Note	MS-958AL-20	
Main Bearings (Single, Pair)	Straight Shell Bearing	2323233	MB-2580AL	6
		3148652	MB-2580AL-10	
		8N8226	MB-2580AL-20	
		8N8227	MB-2580AL-30	
	Flanged Bearing	7S9439	MB-2581AL	1



PART	NOTES	OE INTERCHANGE NUMBER	PART NUMBER	ORDER QTY
------	-------	-----------------------	-------------	-----------

37 (cont.)	Engine Code: 'G3306' 6 Cyl, 10.5L / 638 CID, Bore 120.7mm / 4.750", Stroke 152.4mm / 6.000"; Turbocharged-Aftercooled			37 (cont.)
-----------------------------	---	--	--	-----------------------------

Bearings

Main Bearings (Single, Pair)		7S9844	MB-2581AL-10	
		7S9845	MB-2581AL-20	
Thrust Washer Set	2 Per Package	6N8940	TW-252S	1
	2 Per Package, .232" Oversize Length	9S3037	TW-409S	1
	2 Per Package, .215" Oversize Length	1003652	TW-693S	1
Thrust Washer (Individual)		6N8940	MB-2580W	2
	.232" Oversize Length	9S3037	MB-3057W	2
	.215" Oversize Length	1003652	MB-3451W	2
Camshaft Bearing		8H9654	SH-2170•	4
		9M5477	SH-2171•	1

Valve Train & Ancillary

Valve (Intake)	2.020" Head Diameter, .3717" Stem, 5.510" Length, 30° Seat, Stellite, 2 Groove, Indirect Injection, Turbocharged, 2 Valve, Spark Ignited, Short Valve	2W2621	211-2491	6
----------------	---	--------	----------	---

Crankshaft

Crankshaft	Without Gear	2W7458	247-5050	1
	With Gear	3348389	247-5218	1

38	Engine Code: 'D334' 6 Cyl, 10.5L / 638 CID, Bore 120.7mm / 4.750", Stroke 152.4mm / 6.000"			38
-----------	--	--	--	-----------

Cylinder Components

Cylinder Sleeve	With Seals	1105800 3715941	226-4493	6
Cylinder Sleeve (Bare)		1105800 3715941	226-4493X	6
Piston Pin	1.699" Diameter, 3.730" Length	7N9805	223-1835	6
Lock Ring	2 Per Package	1S9543	223-5502	6
Sleeve O-Ring Kit	Contains OE#s: 5S6670(3) And 9L5854	5P8768	223-7188	6

Bearings

Connecting Rod Bearing (Pair)		4W5739	CB-619AL	6
		8N8221	CB-619AL-10	
		8N8222	CB-619AL-20	
		8N8223	CB-619AL-30	
		Exclusive	CB-619AL-50	
Main Bearing Set	Contains Straight Shell Bearings, Requires Thrust Washers, MS-1114AL Contains OE# 2323233(7), MS-1114AL-10 Contains OE# 3148652(7), MS-1114AL-20 Contains OE# 8N8226(7), And MS-1114AL-30 Contains OE# 8N8227(7)	1969534	MS-1114AL	1
		See Note	MS-1114AL-10	
		See Note	MS-1114AL-20	
		See Note	MS-1114AL-30	



PART	NOTES	OE INTERCHANGE NUMBER	PART NUMBER	ORDER QTY
------	-------	-----------------------	-------------	-----------

38 (cont.)	Engine Code: 'D334' 6 Cyl, 10.5L / 638 CID, Bore 120.7mm / 4.750", Stroke 152.4mm / 6.000"			38 (cont.)
-----------------------------	--	--	--	-----------------------------

Bearings

Main Bearing Set	Contains Flanged Bearing, Standard Size Set Contains OE# 2323233(6), 7S9439, .010" Undersize Set Contains OE# 3148652(6), 7S9844, .020" Undersize Set Contains OE# 8N8226(6), 7S9845	See Note	MS-958AL	1
		See Note	MS-958AL-10	
		See Note	MS-958AL-20	
Main Bearings (Single, Pair)	Straight Shell Bearing	2323233	MB-2580AL	6
		3148652	MB-2580AL-10	
		8N8226	MB-2580AL-20	
		8N8227	MB-2580AL-30	
	Flanged Bearing	7S9439	MB-2581AL	1
		7S9844	MB-2581AL-10	
		7S9845	MB-2581AL-20	
Thrust Washer Set	2 Per Package	6N8940	TW-252S	1
	2 Per Package, .232" Oversize Length	9S3037	TW-409S	1
	2 Per Package, .215" Oversize Length	1003652	TW-693S	1
Thrust Washer (Individual)		6N8940	MB-2580W	2
	.232" Oversize Length	9S3037	MB-3057W	2
	.215" Oversize Length	1003652	MB-3451W	2

Filters

Spin-on fuel filter		6L7440	KC 28	1
----------------------------	--	--------	--------------	---

39	Engine Code: '1674' 6 Cyl, 10.5L / 638 CID, Bore 120.7mm / 4.750", Stroke 152.4mm / 6.000"; Turbocharged			39
-----------	--	--	--	-----------

Cylinder Components

Cylinder Sleeve	With Seals	1105800 3715941	226-4493	6
Cylinder Sleeve (Bare)		1105800 3715941	226-4493X	6
Ring Set	Contains OE#'s: Top 9S3029, Intermediate 5S6750, And Oil 9S7788, .219"/5.5MM Oil Ring	9S3068	S40963	6
Piston Pin	1.699" Diameter, 3.730" Length	7N9805	223-1835	6
Lock Ring	2 Per Package	1S9543	223-5502	6
Sleeve O-Ring Kit	Contains OE#'s: 5S6670(3) And 9L5854	5P8768	223-7188	6

Bearings

Connecting Rod Bearing (Pair)		4W5739	CB-619AL	6
		8N8221	CB-619AL-10	
		8N8222	CB-619AL-20	
		8N8223	CB-619AL-30	
		Exclusive	CB-619AL-50	
Main Bearing Set	Contains Straight Shell Bearings, Requires Thrust Washers, MS-1114AL Contains OE# 2323233(7), MS-1114AL-10 Contains OE# 3148652(7), MS-1114AL-20	1969534	MS-1114AL	1
		See Note	MS-1114AL-10	



PART	NOTES	OE INTERCHANGE NUMBER	PART NUMBER	ORDER QTY
------	-------	-----------------------	-------------	-----------

39 (cont.)	Engine Code: '1674' 6 Cyl, 10.5L / 638 CID, Bore 120.7mm / 4.750", Stroke 152.4mm / 6.000"; Turbocharged			39 (cont.)
-----------------------------	--	--	--	-----------------------------

Bearings

Main Bearing Set	Contains OE# 8N8226(7), And MS-1114AL-30 Contains OE# 8N8227(7)	See Note	MS-1114AL-20	1	
		See Note	MS-1114AL-30		
	Contains Flanged Bearing, Standard Size Set Contains OE# 2323233(6), 7S9439, .010" Undersize Set Contains OE# 3148652(6), 7S9844, .020" Undersize Set Contains OE# 8N8226(6), 7S9845	See Note	MS-958AL		1
		See Note	MS-958AL-10		
Main Bearings (Single, Pair)	Straight Shell Bearing	2323233	MB-2580AL	6	
		3148652	MB-2580AL-10		
		8N8226	MB-2580AL-20		
		8N8227	MB-2580AL-30		
	Flanged Bearing	7S9439	MB-2581AL	1	
		7S9844	MB-2581AL-10		
Thrust Washer Set	2 Per Package	6N8940	TW-252S	1	
	2 Per Package, .232" Oversize Length	9S3037	TW-409S	1	
	2 Per Package, .215" Oversize Length	1003652	TW-693S	1	
Thrust Washer (Individual)		6N8940	MB-2580W	2	
	.232" Oversize Length	9S3037	MB-3057W	2	
	.215" Oversize Length	1003652	MB-3451W	2	

Filters

Spin-on fuel filter		6L7440	KC 28	1
----------------------------	--	--------	--------------	---

40	Engine Code: 'C10' 6 Cyl, 10.3L / 629 CID, Bore 125.0mm / 4.922", Stroke 139.7mm / 5.500"			40
-----------	---	--	--	-----------

Engine Gaskets

Engine Valve Cover Gasket	Rocker Gasket, Seal Stock, 3 Meters Long, 4.19MM X 9.52MM	5P5678	VS50518	1
Rear Main Seal	Late Engine, 4.336" OD, Counterclockwise	4W0452	67645	1

Bearings

Connecting Rod Bearing (Pair)		2170577	CB-1941P	6
		1280390	CB-1941P-.50MM	
Main Bearings (Single, Pair)		2110588	MB-3975P	3
		1280382	MB-3975P-.50MM	
		2110587	MB-3976P	4
		1280400	MB-3976P-.50MM	
Thrust Washer Set		2463144	TW-701S	1
Piston Pin Bushing		7W5844	223-3712	6
Camshaft Bearing	Intermediate	2165583	SH-2166	5
	Front	2165584	SH-2167	1



PART	NOTES	OE INTERCHANGE NUMBER	PART NUMBER	ORDER QTY
------	-------	-----------------------	-------------	-----------

40 (cont.)	Engine Code: 'C10' 6 Cyl, 10.3L / 629 CID, Bore 125.0mm / 4.922", Stroke 139.7mm / 5.500"			40 (cont.)
-----------------------------	---	--	--	-----------------------------

Bearings

Camshaft Bearing	Rear	2165585	SH-2168	1
------------------	------	---------	---------	---

Valve Train & Ancillary

Valve (Intake)	1.772" Head Diameter	7E9578	211-4194	12
----------------	----------------------	--------	----------	----

Filters

Spin-on oil filter		7C4228	OC 282	1
		1R0716	OC 484	1
Spin-on fuel filter	Water Separator	1290373 1335671 1335673	KC 430D	1

41	Engine Code: '3176' 6 Cyl, 10.3L / 629 CID, Bore 125.0mm / 4.922", Stroke 139.7mm / 5.500"; Turbocharged			41
-----------	--	--	--	-----------

Engine Gaskets

Engine Valve Cover Gasket	Rocker Gasket, Seal Stock, 3 Meters Long, 4.19MM X 9.52MM	5P5678	VS50518	1
---------------------------	---	--------	---------	---

Bearings

Connecting Rod Bearing (Pair)		2170577	CB-1941P	6
		1280390	CB-1941P-.50MM	
Main Bearings (Single, Pair)		2110588	MB-3975P	3
		1280382	MB-3975P-.50MM	
		2110587	MB-3976P	4
		1280400	MB-3976P-.50MM	
Thrust Washer Set	3176C Only	2463144	TW-701S	1
Piston Pin Bushing		7W5844	223-3712	6
Camshaft Bearing	3176C Only Intermediate	2165583	SH-2166	5
	3176C Only Front	2165584	SH-2167	1
	3176C Only Rear	2165585	SH-2168	1

Valve Train & Ancillary

Valve (Intake)	1.772" Head Diameter	7E9578	211-4194	12
Valve Guide (Intake)	2.625" OD, For Upgrading To A Replaceable Guide	6I2864	217-3307	6
Valve Guide (Exhaust)	2.9765" OD, For Upgrading To A Replaceable Guide	6I2865	217-3306	12

Filters

Spin-on oil filter		7C4228	OC 282	1
		1R0716	OC 484	1



PART	NOTES	OE INTERCHANGE NUMBER	PART NUMBER	ORDER QTY
------	-------	-----------------------	-------------	-----------

41 (cont.)	Engine Code: '3176' 6 Cyl, 10.3L / 629 CID, Bore 125.0mm / 4.922", Stroke 139.7mm / 5.500"; Turbocharged			41 (cont.)
-----------------------------	--	--	--	-----------------------------

Filters

Spin-on fuel filter	Water Separator	1290373 1335671 1335673	KC 430D	1
---------------------	-----------------	-------------------------------	---------	---

Turbochargers

Turbocharger		0R6877	127 TC 24088 000	1
--------------	--	--------	------------------	---

42	Engine Code: 'C11' 6 Cyl, 11.1L / 667 CID, Bore 130.0mm / 5.118", Stroke 140.0mm / 5.512"; Turbocharged			42
-----------	---	--	--	-----------

Bearings

Connecting Rod Bearing (Pair)	Bearing With Oil Hole	2920484	CB-1931P	6
		1280395	CB-1931P-.50MM	
Main Bearings (Single, Pair)		2110588	MB-3975P	3
		1280382	MB-3975P-.50MM	
		2110587	MB-3976P	4
		1280400	MB-3976P-.50MM	
Thrust Washer Set		2463144	TW-701S	1
Piston Pin Bushing		1152972	223-3697	6
Camshaft Bearing		1878969	SH-2180	7

Turbochargers

Turbocharger		10R2027 239-5581	127 TC 21205 000	1
--------------	--	---------------------	------------------	---

Crankshaft

Crankshaft		3133996	247-5233	1
------------	--	---------	----------	---

43	Engine Code: 'C12' 6 Cyl, 12.0L / 732 CID, Bore 130.0mm / 5.118", Stroke 150.0mm / 5.906"; Turbocharged, OHV			43
-----------	--	--	--	-----------

Engine Gaskets

Engine Valve Cover Gasket	Rocker Gasket, Seal Stock, 3 Meters Long, 4.19MM X 9.52MM	5P5678	VS50518	1
---------------------------	---	--------	---------	---

Bearings

Connecting Rod Bearing (Pair)	Bearing With Oil Hole	2920484	CB-1931P	6
		1280395	CB-1931P-.50MM	
Main Bearings (Single, Pair)		2110588	MB-3975P	3
		1280382	MB-3975P-.50MM	
		2110587	MB-3976P	4
		1280400	MB-3976P-.50MM	
Thrust Washer Set		2463144	TW-701S	1
Piston Pin Bushing		1152972	223-3697	6



PART	NOTES	OE INTERCHANGE NUMBER	PART NUMBER	ORDER QTY
------	-------	-----------------------	-------------	-----------

43 (cont.)	Engine Code: 'C12' 6 Cyl, 12.0L / 732 CID, Bore 130.0mm / 5.118", Stroke 150.0mm / 5.906"; Turbocharged, OHV			43 (cont.)
-----------------------------	--	--	--	-----------------------------

Bearings

Camshaft Bearing	Intermediate	2165583	SH-2166	5
	Front	2165584	SH-2167	1
	Rear	2165585	SH-2168	1

Valve Train & Ancillary

Valve (Intake)	1.772" Head Diameter	7E9578	211-4194	12
----------------	----------------------	--------	----------	----

Filters

Spin-on oil filter		7C4228	OC 282	1
		1R0716	OC 484	1
Spin-on fuel filter	Water Separator	1290373 1335671 1335673	KC 430D	1

44	Engine Code: 'C13' 6 Cyl, 12.5L / 763 CID, Bore 130.1mm / 5.120", Stroke 173.2mm / 6.818"; Turbocharged			44
-----------	---	--	--	-----------

Engine Gaskets

Engine Valve Stem Seal Set	12 Per Package, Cost is Per Each Seal	1632478	B45978	24
----------------------------	---------------------------------------	---------	--------	----

Miscellaneous Gaskets

Fuel Injection Nozzle O-Ring	Contains OE#'s: 9X7317, 9X7319, And 9X7318	2481394	GS33521	6
------------------------------	--	---------	---------	---

Bearings

Connecting Rod Bearing (Pair)	Bearing With Oil Hole	2920484	CB-1931P	6
		1280395	CB-1931P-.50MM	
Main Bearings (Single, Pair)		2110588	MB-3975P	3
		1280382	MB-3975P-.50MM	
		2110587	MB-3976P	4
		1280400	MB-3976P-.50MM	
Thrust Washer Set		2463144	TW-701S	1
Piston Pin Bushing		1152972	223-3697	6
Camshaft Bearing		1878969	SH-2180	7

Filters

Spin-on oil filter		1R0716	OC 484	1
Spin-on fuel filter	Water Separator	1290373 1335671 1335673	KC 430D	1

Turbochargers

Turbocharger	Prefix JAM, High Pressure Turbocharger	10R8733	127 TC 21202 000	1
		10R2027 239-5581	127 TC 21205 000	1



PART	NOTES	OE INTERCHANGE NUMBER	PART NUMBER	ORDER QTY
------	-------	-----------------------	-------------	-----------

44 (cont.)	Engine Code: 'C13' 6 Cyl, 12.5L / 763 CID, Bore 130.1mm / 5.120", Stroke 173.2mm / 6.818"; Turbocharged			44 (cont.)
-----------------------	---	--	--	-----------------------

Crankshaft

Crankshaft		3133997	247-5234	1
------------	--	---------	----------	---

45	Engine Code: 'G3406' 6 Cyl, 14.6L / 893 CID, Bore 137.2mm / 5.400", Stroke 165.1mm / 6.500"			45
-----------	---	--	--	-----------

Cylinder Components

Cylinder Sleeve Assembly	10.0:1 CR, With 7E3888 Piston, 2.000" Diameter Pin, Rectangular Compression Rings, Spark Ignited, Dual Ni-Resist Inserts	7E3888	226-2020	6
Cylinder Sleeve		1979322	226-4506	6
Cylinder Sleeve (Bare)	Use With Part Number 223-7195	1979322	226-4506X	6
Piston	2.000" Diameter Pin, Rectangular Compression Rings, Spark Ignited, Dual Ni-Resist Inserts, 10.0:1 CR	7E3888	224-3588	6
Piston (Bare)	10.0:1 CR, Contained Within 226-2020, 2.000" Diameter Pin, Rectangular Compression Rings, Spark Ignited, Dual Ni-Resist Inserts, Use With Part Number 223-1830 And 223-5507	7E3888	224-3588X	6
Ring Set	Contains OE#s: Top 9S2263, Intermediate 7C8939, And Oil 7W6952	See Note	S41908	6
Piston Pin	2.000" Diameter, 4.405" Length	8N1608	223-1830	6
Lock Ring	2 Per Package	7E5665	223-5507	6
Sleeve O-Ring Kit	Contains OE#s: 9L5854, 1102220, 1427072, And 1426217	1609874	223-7195	6

Engine Gaskets

Engine Cylinder Head Gasket Set	Consolidated Set	1464229 2339474	HS54154-7	1
Engine Conversion Gasket Set		8T6930	CS54154-13	1
		8C4455	CS54154-14	1
		3E4326	CS54154-6	1
Engine Cylinder Head Gasket		6I3066	54154	1
Engine Valve Cover Gasket	Rocker Gasket, Seal Stock, 3 Meters Long, 4.19MM X 9.52MM	5P5678	VS50518	1
Engine Valve Stem Seal Set	12 Per Package, Cost Per Seal	6N7174	B45886	24
Exhaust Manifold Gasket Set	6 Per Package	1299452	MS19416	1
Engine Oil Pan Gasket Set	1 Pan Gasket Only, Puzzle Gasket, Paper, For Both Inline And V Series	4N1151	OS32183	1
Engine Timing Cover Gasket Set		1018643	JV5047	1
		2341874	JV5049	1
		2341866	JV5089	1
Engine Timing Cover Seal	Includes Wear Sleeve	1425867	67741	1



PART	NOTES	OE INTERCHANGE NUMBER	PART NUMBER	ORDER QTY
------	-------	-----------------------	-------------	-----------

45 (cont.)	Engine Code: 'G3406' 6 Cyl, 14.6L / 893 CID, Bore 137.2mm / 5.400", Stroke 165.1mm / 6.500"			45 (cont.)
-----------------------------	---	--	--	-----------------------------

Engine Gaskets

Rear Main Seal Set	Consolidated Set	1609367 2326574 6V8608 7X2863	JV1672	1
		2322922	JV1674	1
		2323679	JV1698	1
Rear Main Seal	Includes Wear Sleeve	1425868	67656	1

46	Engine Code: 'C15' 6 Cyl, 15.2L / 928 CID, Bore 137.2mm / 5.400", Stroke 171.0mm / 6.732"			46
-----------	---	--	--	-----------

Cylinder Components

Cylinder Sleeve Assembly	16.6:1 CR, With 1807352 Crown And 1326663 Skirt, Below 550HP, Articulated, Upgraded Top Ring, Can Be Use In High Load Applications, 0R8915 and 10R8616 Identifies Piston Packs	0R8915 10R8616	226-1969	6
	18.0:1 CR, With 1807351 Crown And 1326663 Skirt, Ferrotherm, Bainitic Material, 0R9942 Identifies Piston Pack	0R9942	226-2048	6
	16.6:1 CR, With 2250115 Crown And 1326663 Skirt, Ferrotherm, 10R1503 Identifies Piston Pack	10R1503	226-2049	6
	18.0:1 CR, With 3067460 Piston, Monotherm, Bushingless Piston, 10R3304 Indentifies Piston Pack	10R3304	226-2054	6
Cylinder Sleeve (Bare)	Use With Part Number 223-7195	1979322	226-4506X	6
	Bainitic Material	1979322	226-4617X	6
Piston	16.6:1 CR, Ferrotherm	2250115	224-3636	6
Piston (Bare)	17.0:1 CR, Monotherm, without bushing	3569946	224-3639X	6
	18.0:1 CR, Monotherm, Bushingless Piston	3067460	224-3641X	6
Piston Crown	16.6:1 CR, Contained Within 226-1969	1807352	224-3374X	6
	18.0:1 CR, Ferrotherm, Contained Within 226-2048	1917855	224-3635X	6
	16.6:1 CR, Ferrotherm, Contained Within 226-2049	2250115	224-3636X	6
Piston Skirt		1326663	224-3347X	6
Ring Set	Contains OE#s: Top 1777496, Intermediate 1765749, And Oil 1899771	See Note	S41927	6
	Contains OE#s: Top 1347496, Intermediate 1765749, And Oil 1899771	See Note	S41943	6
	Contains OE#s: Top 2257010, Intermediate 1765749, And Oil 1899771, For Ferrotherm Piston	See Note	S42181	6
	Contains OE#s: Top 2370194, Intermediate 2384737, And Oil 2380294	See Note	S42223	6
Piston Pin	1.574" Diameter, 3.346" Length	1687246	223-1846	6
	For Bushingless Monotherm Piston	1807350	223-1952	6
Lock Ring	2 Per Package	7E1177	223-5511	6
	2 Per Package, For Bushingless Monotherm Piston	2502940	223-5531	6



PART	NOTES	OE INTERCHANGE NUMBER	PART NUMBER	ORDER QTY
------	-------	-----------------------	-------------	-----------

46 (cont.)	Engine Code: 'C15' 6 Cyl, 15.2L / 928 CID, Bore 137.2mm / 5.400", Stroke 171.0mm / 6.732"	46 (cont.)
-----------------------	---	-----------------------

Cylinder Components

Sleeve O-Ring Kit	Contains OE#s: 9L5854, 1102220, 1427072, And 1426217	1609874	223-7195	6
Sealing Shim	2 Per Package, Liner Shim, .0304" / .772MM Thick	6I4361	223-8015	6
	2 Per Package, Liner Shim, .0324" / .822MM Thick	9Y3368	223-8016	6
	2 Per Package, Liner Shim, .0343" / .871MM Thick	6I4362	223-8017	6

Engine Gaskets

Engine Cylinder Head Gasket Set		2572754	HS54643-3	1
	Consolidated Set, Covers European Models	2969934 3211418	HS54643-4	1
	Contains OE#s: Valve Cover Gasket 2720390 And Exhaust Manifold Gaskets 1384611(6)	2486744	HS54643-6	1
	Consolidated Set, Contains OE# 2720390 Valve Cover Gasket	2533442 3164810	HS54643-7	1
Engine Conversion Gasket Set	Consolidated Set, Covers OE#s: 1905978, 2572756, 3211415, Contains OE#s: Isolation Seal Oil Pan Gasket 1685248 And Oil Pan Grommets 2401614(24)	See Note	CS54643-1	1
	Contains OE#s: Isolation Seal Oil Pan Gasket 1685248 And Oil Pan Grommets 2401614(24)	2969949	CS54643-2	1
	2 Piece Oil Pan, Contains OE#s: 4N1151(2), 3K0360, And 1090078(4)	See Note	CS54643-3	1
In-frame Overhaul Set	Covers OE#s: Head Sets 2533442, 2572754, 2969934, 3211418, Pan Gasket 1685248, And Oil Pan Grommets 2401614(24)	See Note	EK3537	1
	Covers OE#s: 2533442, 2572754, 2969934, Head Set 3211418, And Pan Gasket 4N1151(2)	See Note	EK3538	1
Engine Cylinder Head Gasket	Can Be Used On 3406E When Head Has Been Upgraded To C15 Design	2245122	54643	1
Engine Valve Cover Gasket Set	For Engines With 3 Individual Valve Covers, Includes 1497378(6) Valve Cover Grommets	2429537	VS50445	3
	Injector Removal And Replacement Gasket Kit, Contains OE# Valve Cover Gasket 2429537(3), Rocker Cover Gasket 2720390, Valve Cover Grommets 1497378(18), Injector O Rings 9X7417(6), 9X7418(6), 9X7419(6)	See Note	VS50471	1
Engine Valve Cover Gasket	Rocker Gasket, Seal Stock, 3 Meters Long, 4.19MM X 9.52MM	5P5678	VS50518	1
Engine Valve Stem Seal Set	12 Per Package, Cost is Per Each Seal	1632478	B45978	24
Exhaust Manifold Gasket Set	Exhaust Manifold Pipe/Sleeve with Gasket	2818261	MS19528	6
Engine Oil Pan Gasket Set	1 Pan Gasket Only, Puzzle Gasket, Paper, For Both Inline And V Series	4N1151	OS32183	1
	Contains OE#s: Isolation Seal Oil Pan Gasket 1685248 And Oil Pan Grommets 2401614(24)	See Note	OS32300	1
	Oil Pan Gasket Only	1685248	OS32300A	1
	2 Pan Gaskets, Puzzle Gasket, Contains OE#s: 4N1151(2), 1090078, And 5P5846	4N1151	OS32500A	1



Sealing Products

PART	NOTES	OE INTERCHANGE NUMBER	PART NUMBER	ORDER QTY
------	-------	-----------------------	-------------	-----------

46 (cont.)	Engine Code: 'C15' 6 Cyl, 15.2L / 928 CID, Bore 137.2mm / 5.400", Stroke 171.0mm / 6.732"			46 (cont.)
-----------------------	---	--	--	-----------------------

Engine Gaskets

Engine Timing Cover Gasket Set		2341633	JV5104	1
	Consolidated Set	2341904 3211416	JV5105	1
		2390998	JV5106	1
		3483681	JV5107	1
Engine Timing Cover Seal	Includes Wear Sleeve	1425867	67741	1
Rear Main Seal Set	Consolidated Set	2341877 3211417	JV1700	1
		2853200	JV1701	1
Rear Main Seal	Includes Wear Sleeve	1425868	67656	1

Miscellaneous Gaskets

Engine Coolant Thermostat Seal		3S9643	GS27706	1
Engine Oil Cooler Gasket Set		1891814	GS33635	1
		3056220	GS33636	1
Fuel Injection Nozzle O-Ring	Injector Sleeve O-Rings, For OD Of Injector Cup, Contains OE#'s: 1662903, 1662904, And 9X7430	See Note	GS33507*	1
	Contains OE#'s: 9X7317, 9X7319, And 9X7318	2481394	GS33521	6

Bearings

Connecting Rod Bearing (Pair)	1.930" Length	9Y7735	CB-1622P	6
		7E0558	CB-1622P-25	
		7E0559	CB-1622P-50	
	4 Bolt Connecting Rod	2243246	CB-1933P	6
Main Bearings (Single, Pair)	1.645" Bearing Length	2170390	MB-2848AL	7
		Exclusive	MB-2848AL-10	
		4W5698	MB-2848AL-25	
		4W5699	MB-2848AL-50	
Thrust Washer Set	2 Per Package	2531752	TW-583S	1
Thrust Washer (Individual)		2531752	MB-3448W	2
Piston Pin Bushing	Wide Taper, Big Pin 2.16"	6I2726	223-3703	6
	Late With 4 Bolt Connecting Rod	2296259	223-3704	6
Camshaft Bearing		2165582	SH-1979	7

Valve Train & Ancillary

Valve (Intake)	1.850" Head Diameter, Inconel, 2 Groove	1537023	211-4166	12
Valve (Exhaust)	1.646" Head Diameter, Inconel, 2 Groove	1537024	211-4167	12
Valve Guide	.3745" ID, .6298" OD, 3.358" Length	1227375	217-4110	24
Valve Seat Insert (Exhaust)	1.4375" ID, 1.687" OD, .3650" Depth	1527582	218-7805	12



PART	NOTES	OE INTERCHANGE NUMBER	PART NUMBER	ORDER QTY
------	-------	-----------------------	-------------	-----------

46 (cont.)	Engine Code: 'C15' 6 Cyl, 15.2L / 928 CID, Bore 137.2mm / 5.400", Stroke 171.0mm / 6.732"			46 (cont.)
-----------------------	---	--	--	-----------------------

Turbochargers

Turbocharger	High Pressure For Caterpillar C15	10R1887 10R2407	127 TC 21201 000	1
	Low Pressure Turbocharger	10R1888	127 TC 21204 000	1

Crankshaft

Crankshaft		1601799	247-5231	1
------------	--	---------	----------	---

47	Engine Code: 'D340' 4 Cyl, 9.8L / 595 CID, Bore 137.2mm / 5.400", Stroke 165.1mm / 6.500"			47
-----------	---	--	--	-----------

Bearings

Connecting Rod Bearing (Pair)		7W2136	CB-694AL	4
		8N5339	CB-694AL-25	
Main Bearings (Single, Pair)		8N5346	MB-2279AL-25	4

48	Engine Code: 'D349' 16 Cyl, 39.1L / 2382 CID, Bore 137.2mm / 5.400", Stroke 165.1mm / 6.500"			48
-----------	--	--	--	-----------

Cylinder Components

Lock Ring	2 Per Package	7E5665	223-5507	16
Sleeve O-Ring Kit	Contains OE#s: 3S3978(3) And 9L5854	5P8789	223-7146	16

Bearings

Connecting Rod Bearing (Pair)	Slot For Dowel Pin In Rod Bore	1W8539	CB-1232AL	16
-------------------------------	--------------------------------	--------	-----------	----

Valve Train & Ancillary

Valve Guide	.3750" ID, .6892" OD, 2.815" Length, For Rotators	4N3668	217-4063	64
Valve Seat Insert (Exhaust)	1.4375" ID, 1.687" OD, .3650" Depth	1527582	218-7805	32
Valve Seat Insert (Intake And Exhaust)	1.562" ID, 1.812" OD, .3650" Depth	4N5893	218-7806	64

49	Engine Code: 'D348' 12 Cyl, 29.3L / 1786 CID, Bore 137.2mm / 5.400", Stroke 165.1mm / 6.500"			49
-----------	--	--	--	-----------

Cylinder Components

Lock Ring	2 Per Package	7E5665	223-5507	12
Sleeve O-Ring Kit	Contains OE#s: 3S3978(3) And 9L5854	5P8789	223-7146	12

Bearings

Connecting Rod Bearing (Pair)	Slot For Dowel Pin In Rod Bore	1W8539	CB-1232AL	12
-------------------------------	--------------------------------	--------	-----------	----



PART	NOTES	OE INTERCHANGE NUMBER	PART NUMBER	ORDER QTY
------	-------	-----------------------	-------------	-----------

49 (cont.)	Engine Code: 'D348' 12 Cyl, 29.3L / 1786 CID, Bore 137.2mm / 5.400", Stroke 165.1mm / 6.500"			49 (cont.)
-----------------------------	--	--	--	-----------------------------

Valve Train & Ancillary

Valve Guide	.3750" ID, .6892" OD, 2.815" Length, For Rotators	4N3668	217-4063	48
Valve Seat Insert (Exhaust)	1.4375" ID, 1.687" OD, .3650" Depth	1527582	218-7805	24
Valve Seat Insert (Intake And Exhaust)	1.562" ID, 1.812" OD, .3650" Depth	4N5893	218-7806	48

50	Engine Code: 'D346' 8 Cyl, 19.5L / 1191 CID, Bore 137.2mm / 5.400", Stroke 165.1mm / 6.500"			50
-----------	---	--	--	-----------

Cylinder Components

Lock Ring	2 Per Package	7E5665	223-5507	8
Sleeve O-Ring Kit	Contains OE#'s: 3S3978(3) And 9L5854	5P8789	223-7146	8

Bearings

Connecting Rod Bearing (Pair)	Slot For Dowel Pin In Rod Bore	1W8539	CB-1232AL	8
-------------------------------	--------------------------------	--------	-----------	---

Valve Train & Ancillary

Valve Guide	.3750" ID, .6892" OD, 2.815" Length, For Rotators	4N3668	217-4063	32
Valve Seat Insert (Exhaust)	1.4375" ID, 1.687" OD, .3650" Depth	1527582	218-7805	16
Valve Seat Insert (Intake And Exhaust)	1.562" ID, 1.812" OD, .3650" Depth	4N5893	218-7806	32

51	Engine Code: 'D343' 6 Cyl, 14.6L / 893 CID, Bore 137.2mm / 5.400", Stroke 165.1mm / 6.500"			51
-----------	--	--	--	-----------

Cylinder Components

Cylinder Block Repair Bushing	Upper Repair Block Bushing, For Use On Non-Blated Blocks- S/N 65B11052-Up, OD 6.6675, ID 6.2605, Lth. . 206	5P4173	223-8146	6
Piston	Keystone Compression Rings, Dual Ni-Resist Inserts, Bolt In Heat Plug, Precombustion	9N2874	224-3275	6
Piston (Bare)	Keystone Compression Rings, Dual Ni-Resist Inserts, Bolt In Heat Plug, Precombustion	9N2874	224-3275X	6
Piston Pin	1.999" Diameter, 4.525" Length	7N9806	223-1833	6
Lock Ring	2 Per Package	7E5665	223-5507	6
Sleeve O-Ring Kit	Contains OE#'s: 3S3978(3) And 9L5854	5P8789	223-7146	6

Bearings

Connecting Rod Bearing (Pair)		7W2136	CB-694AL	6
		8N5339	CB-694AL-25	
Main Bearings (Single, Pair)		8N5346	MB-2279AL-25	6



PART	NOTES	OE INTERCHANGE NUMBER	PART NUMBER	ORDER QTY
------	-------	-----------------------	-------------	-----------

51 (cont.)	Engine Code: 'D343' 6 Cyl, 14.6L / 893 CID, Bore 137.2mm / 5.400", Stroke 165.1mm / 6.500"			51 (cont.)
-----------------------	--	--	--	-----------------------

Valve Train & Ancillary

Valve Guide	.3750" ID, .6892" OD, 2.815" Length, For Rotators	4N3668	217-4063	24
Valve Guide (Intake & Exhaust)	.3750" ID, .6892" OD, 2.815" Length, For Rotators	4N3668	217-4063	24
Valve Seat Insert (Exhaust)	1.4375" ID, 1.687" OD, .3650" Depth	1527582	218-7805	12
Valve Seat Insert (Intake And Exhaust)	1.562" ID, 1.812" OD, .3650" Depth	4N5893	218-7806	24

Filters

Spin-on fuel filter		6L7440	KC 28	1
----------------------------	--	--------	--------------	---

52	Engine Code: 'G3412' 12 Cyl, 27.0L / 1649 CID, Bore 137.2mm / 5.400", Stroke 152.4mm / 6.000"			52
-----------	---	--	--	-----------

Cylinder Components

Cylinder Sleeve Assembly	10.0:1 CR, With 7E3888 Piston, 2.000" Diameter Pin, Rectangular Compression Rings, Spark Ignited, Dual Ni-Resist Inserts	7E3888	226-2020	12
Cylinder Sleeve		1979322	226-4506	12
Cylinder Sleeve (Bare)	Use With Part Number 223-7195	1979322	226-4506X	12
Piston	2.000" Diameter Pin, Rectangular Compression Rings, Spark Ignited, Dual Ni-Resist Inserts, 10.0:1 CR	7E3888	224-3588	12
Piston (Bare)	10.0:1 CR, Contained Within 226-2020, 2.000" Diameter Pin, Rectangular Compression Rings, Spark Ignited, Dual Ni-Resist Inserts, Use With Part Number 223-1830 And 223-5507	7E3888	224-3588X	12
Ring Set	Contains OE#s: Top 9S2263, Intermediate 7C8939, And Oil 7W6952	See Note	S41908	12
Piston Pin	2.000" Diameter, 4.405" Length	8N1608	223-1830	12
Lock Ring	2 Per Package	7E5665	223-5507	12
Sleeve O-Ring Kit	Contains OE#s: 9L5854, 1102220, 1427072, And 1426217	1609874	223-7195	12

Engine Gaskets

Engine Valve Cover Gasket	Rocker Gasket, Seal Stock, 3 Meters Long, 4.19MM X 9.52MM	5P5678	VS50518	2
Exhaust Manifold Gasket Set	6 Per Package	1299452	MS19416	2
Engine Oil Pan Gasket Set	1 Pan Gasket Only, Puzzle Gasket, Paper, For Both Inline And V Series	4N1151	OS32183	1
Engine Timing Cover Seal	Includes Wear Sleeve	1425867	67741	1
Rear Main Seal	Includes Wear Sleeve	1425868	67656	1

Miscellaneous Gaskets

Engine Coolant Thermostat Seal		3S9643	GS27706	1
---------------------------------------	--	--------	----------------	---



PART	NOTES	OE INTERCHANGE NUMBER	PART NUMBER	ORDER QTY
------	-------	-----------------------	-------------	-----------

52 (cont.)	Engine Code: 'G3412' 12 Cyl, 27.0L / 1649 CID, Bore 137.2mm / 5.400", Stroke 152.4mm / 6.000"			52 (cont.)
-----------------------------	---	--	--	-----------------------------

Bearings

Connecting Rod Bearing (Pair)	1.535" Length Rod Bearing, Locking Lug On Left Hand Side	9Y9497	CB-1262AL	12
		Exclusive	CB-1262AL-10	
		4W5702	CB-1262AL-25	
		4W5703	CB-1262AL-50	
Main Bearings (Single, Pair)	1.645" Bearing Length	2170390	MB-2848AL	7
		Exclusive	MB-2848AL-10	
		4W5698	MB-2848AL-25	
		4W5699	MB-2848AL-50	
Thrust Washer Set	2 Per Package	2531752	TW-583S	1
Thrust Washer (Individual)		2531752	MB-3448W	2
Camshaft Bearing	Position Number 2-3-4-5-6	4N0685	SH-2186	5
	Position Number 1 And 7	4N6658	SH-2187	2

Filters

Spin-on oil filter		1R0716	OC 484	1
---------------------------	--	--------	---------------	---

Crankshaft

Crankshaft	Straight Tooth Gear	2619648	247-5150	1
	Heliod Tooth Gear, Older Version	2619647	247-5151	1

53	Engine Codes: '3406, 3406E' 6 Cyl, 14.6L / 893 CID, Bore 137.2mm / 5.400", Stroke 165.1mm / 6.500"			53
-----------	--	--	--	-----------

Cylinder Components

Cylinder Sleeve Assembly	15.6:1 CR, With 9Y7212 Piston, Keystone Compression Rings, Up to 310 HP, B, ATAAC, Dual Ni-Resist Inserts, Direct Injection, 9 Degree Wide Tapered Rod, Standard Clearance Liner, 0R2862 (Inline), 0R1572 (V Series) Identifies Piston Pack	0R1572	226-1733	6
	14.5:1 CR, With 2900017 Piston, Standard Clearance Liner, 0R2694 and 0R4515 Identifies Piston Packs	0R2694 0R4515	226-1734	6
	15.2:1 CR, With 9Y9889 Piston, Keystone Compression Rings, Dual Ni-Resist Inserts, ATAAC, 350-425 HP, Standard Clearance Liner, 0R2861 And 20R1118 Identifies Piston Packs	0R2861 20R1118	226-1855	6
	15.2:1 CR, With 9Y3116 Piston, Up To 310 HP, 9 Degree Wide Tapered Rod, JWAC/ATAAC, Keystone Compression Rings, Dual Ni-Resist Inserts, Direct Injection, Applicable For 3406B Truck Engines EPA Code E, S/N 7FB27302-99999, 0R2413 Identifies Piston Pack	0R2413	226-1898	6
	15.2:1 CR, With 7E0539 Piston, 1990 PEEC Models, 350-425 HP, Keystone Compression Rings, Wide Taper, 0R2975 Identifies Piston Pack	0R2975	226-1901	6



PART	NOTES	OE INTERCHANGE NUMBER	PART NUMBER	ORDER QTY
------	-------	-----------------------	-------------	-----------

53 (cont.)	Engine Codes: '3406, 3406E' 6 Cyl, 14.6L / 893 CID, Bore 137.2mm / 5.400", Stroke 165.1mm / 6.500"			53 (cont.)
-----------------------	--	--	--	-----------------------

Cylinder Components

Cylinder Sleeve Assembly	15.2:1 CR, With 7E8700 Piston, B & C Models, 350-425 HP, Keystone Compression Rings, 2.000" Diameter Pin, 9 Degree Wide Tapered Rod, 0R4596 and 0R3782 Identifies Piston Packs	0R3782 0R4596	226-1918	6
	16.4:1 CR, With 1010016 Piston, C Model, 310-425 HP, 0R4281 Identifies Piston Pack	0R4281	226-1922	6
	16:6:1 CR, With 1807352 Crown And 1326663 Skirt, Below 550HP, Articulated, Upgraded Top Ring, Can Be Use In High Load Applications, 0R8915 and 10R8616 Identifies Piston Packs	0R8915 10R8616	226-1969	6
	16.25:1 CR, With 1352837 Crown And 1300241 Skirt, 3406E, 335-410 HP, 0R8333 Identifies Piston Pack	0R8333	226-1970	6
	16.25:1 CR, With 1495566 Crown And 1300241 Skirt, 3406E, Articulated, 0R8913 Identifies Piston Pack	0R8913	226-1971	6
	15.9:1 CR, With 2212305 Crown And 132666 Skirt, 3406E, Industrial, 0R8017 Identifies Piston Pack	0R8017	226-1972	6
	16.25:1 CR, With 7C2888 Crown And 1300241 Skirt, 3406E, 355-455HP, 0R8333 Identifies Piston Pack	0R8333	226-1973	6
	Crownless Kit Includes Rings, Skirt, Pin, Locks, Liner, And O-Rings, Contains Piston Skirt 224-3347X (OE#1326663), Ring Set S41927 Contains OE#'s: Top 1777496, Intermediate 1765749, And Oil 1899771	See Note	226-1994	6
	Crownless Kit Includes Rings, Skirt, Pin, Locks, Liner And O-Rings, Contains Piston Skirt 224-3346X (OE# 1300241), Contains Ring Set S41890 (OE# 1W8922 Ring Set Includes Gray Armor Top Ring)	See Note	226-1995	6
	14.5:1 CR, With Piston 1601131, Gallery Cooled, 0R4178 Identifies Piston Pack	0R4178	226-2038	6
15.9:1 CR, With 1168154 Piston, 0R8717 Identifies Piston Pack	0R8717	226-2057	6	
Cylinder Sleeve		1979322	226-4506	6
Cylinder Sleeve (Bare)	Use With Part Number 223-7195	1979322	226-4506X	6
	Bainitic Material	1979322	226-4617X	6
Piston	15.2:1 CR, Keystone Compression Rings, Dual Ni-Resist Inserts, ATAAC	9Y9889	224-3023	6
	14.5:1 CR, B & C Models, DITA, Keystone Compression Rings, Dual Ni-Resist Inserts, No Heat Plug, Direct Injection, 9 Degree Wide Tapered Rod	2900017	224-3244	6
	15.6:1 CR, ATAAC, Up To 310 HP, Keystone Compression Rings, Dual Ni-Resist Inserts, No Heat Plug, Direct Injection, 9 Degree Wide Tapered Rod	9Y7212	224-3245	6
	15.2:1 CR, Applicable For 3406B Truck Engines EPA Code E, S/N 7FB27302-99999, Up To 310 HP, JWAC/ATAAC, Keystone Compression Rings, Dual Ni-Resist Inserts, No Heat plug, Direct Injection, 9 Degree Wide Tapered Rod, Replace In Sets Only, 4MG1-3599	9Y3116	224-3268	6
	15.2:1 CR, 350-425 HP, 2.000" Diameter Pin, S/N Up To 3ZJ02847, Keystone Compression Rings, No Heat plug, 9 Degree Wide Tapered Rod	7E8700	224-3291	6

PART	NOTES	OE INTERCHANGE NUMBER	PART NUMBER	ORDER QTY
------	-------	-----------------------	-------------	-----------

53 (cont.)	Engine Codes: '3406, 3406E' 6 Cyl, 14.6L / 893 CID, Bore 137.2mm / 5.400", Stroke 165.1mm / 6.500"			53 (cont.)
-----------------------	--	--	--	-----------------------

Cylinder Components (cont.)

Piston	16.4:1 CR, 310-425 HP, 3ZJ30054 And Up	1010016	224-3298	6
	17.0:1 CR, Keystone Compression Rings, Direct Injection, 285-305HP	1073565	224-3395	6
	16.6:1 CR, Contains OE#'s: Crown 1807352, Skirt 1326663, Pin 1687246, And Locks 7E1177, Contained Within 226-1969	See Note	224-3397	6
	16.25:1 CR, 335-410 HP, Contains OE#'s: Crown 1352837, Skirt 1300241, Pin 1687246, And Locks 7E1177, Contained Within 226-1970	See Note	224-3398	6
	16.25:1 CR, Contains OE#'s: Crown 1495566, Skirt 1300241, Pin 1687246, And Locks 7E1177, Contained Within 226-1971	See Note	224-3399	6
	16.25:1 CR, 355-455HP, Contains OE#'s: Crown 7C2888, Skirt 1300241, Pin 1687246, And Locks 7E1177, Contained Within 226-1973	See Note	224-3400	6
	15.9:1 CR, Industrial, With 2212305 Crown And 132666 Skirt, Skirt 1326663 , Pin 1687246, And Locks 7E1177, Contained Within 226-1972	See Note	224-3587	6
Piston (Bare)	15.2:1 CR, 350-425 HP, Keystone Compression Rings, Dual Ni-Resist Inserts, ATAAC, Contained Within 226-1855, Use With Part Number 223-1830 And 223-5507	9Y9889	224-3023X	6
	15.2:1 CR, 350-425 HP, 1990 PEEC Models, Keystone Compression Rings, Wide Taper, 1990, Contained Within 226-1901, Use With Part Number 223-1830 And 223-5507	7E0539	224-3028X	6
	14.5:1 CR, B & C Models, DITA, Keystone Compression Rings, Dual Ni-Resist Inserts, No Heat Plug, Direct Injection, 9 Degree Wide Tapered Rod, Contained Within 226-1734, Use With Part Number 223-1830 And 223-5507	2900017	224-3244X	6
	15.6:1 CR, Up To 310 HP, B, ATAAC, Keystone Compression Rings, Dual Ni-Resist Inserts, No Heat Plug, Direct Injection, 9 Degree Wide Tapered Rod, Contained Within 226-1733, Use With Part Number 223-1830 And 223-5507	9Y7212	224-3245X	6
	15.2:1 CR, Up to 310 HP, Applicable For 3406B Truck Engines EPA Code E, S/N 7FB27302-99999, 4MG1-3599, JWAC/ATAAC, Keystone Compression Rings, Dual Ni-Resist Inserts, No Heat plug, Direct Injection, 9 Degree Wide Tapered Rod, Replace In Sets Only, Contained Within 226-1898, Use With Part Number 223-1830 And 223-5507	9Y3116	224-3268X	6
	15.2:1 CR, 350-425 HP, S/N Up To 3ZJ02847, 2.000" Diameter Pin, Keystone Compression Rings, No Heat Plug, 9 Degree Wide Tapered Rod, Contained Within 226-1918, Use With Piston Pin 223-1835 And Locks 223-5502	7E8700	224-3291X	6
	16.4:1 CR, 310-425 HP, 3ZJ30054 And Up, C, Contained Within 226-1922, Use With Part Number 223-1846 And 223-5511	1010016	224-3298X	6
	17.0:1 CR, 285-305HP, Keystone Compression Rings, Direct Injection, Contained Within 226-1974, Use With Piston Pin 223-1835 And Locks 223-5502	1073565	224-3395X	6



PART	NOTES	OE INTERCHANGE NUMBER	PART NUMBER	ORDER QTY
------	-------	-----------------------	-------------	-----------

53 (cont.)	Engine Codes: '3406, 3406E' 6 Cyl, 14.6L / 893 CID, Bore 137.2mm / 5.400", Stroke 165.1mm / 6.500"			53 (cont.)
-----------------------	--	--	--	-----------------------

Cylinder Components (cont.)

Piston (Bare)	15.9:1 CR, Gallery Cooled	1168154	224-3750X	6
	14.5:1 CR	1601131	224-3751X	6
Piston Crown	16:6:1 CR, Contained Within 226-1969	1807352	224-3374X	6
	16.25:1 CR, 335-410 HP, Contained Within 226-1970	1352837	224-3375X	6
	16.25:1 CR, Contained Within 226-1971	1495566	224-3376X	6
	15.9:1 CR, Industrial, Contained Within 226-1972	221-2305	224-3377X	6
	16.25:1 CR, 355-455HP, Contained Within 226-1973	7C2888	224-3378X	6
Piston Skirt		1300241	224-3346X	6
		1326663	224-3347X*	6
Ring Set	Top OE# 8N0502, Intermediate OE# 2P2817, Oil OE# 7N7078, Keystone Compression Rings	8N0822	S41159*	6
	Plasma-Moly Ductile Iron, Covers 1W8922, Contains OE#'s: Top 1343761, Intermediate 2P2817, And Oil 7N7078	1W8922	S41890	6
	Contains OE#'s: Top 1777496, Intermediate 1765749, And Oil 1899771	See Note	S41927	6
	Contains OE#'s: Top 1347496, Intermediate 1765749, And Oil 1899771	See Note	S41943	6
Piston Pin	2.000" Diameter, 4.405" Length	8N1608	223-1830	6
	1.999" Diameter, 4.525" Length	7N9806	223-1833	6
	1.999" Diameter, 3.996" Length	7N9807	223-1839	6
	1.574" Diameter, 3.346" Length	1687246	223-1846	6
Lock Ring	2 Per Package	7E5665	223-5507	6
	2 Per Package	7E1177	223-5511	6
Sleeve O-Ring Kit	Contains OE#'s: 9L5854, 1102220, 1427072, And 1426217	1609874	223-7195	6
Sealing Shim	2 Per Package, Liner Shim, .0304" / .772MM Thick	6I4361	223-8015	6
	2 Per Package, Liner Shim, .0324" / .822MM Thick	9Y3368	223-8016	6
	2 Per Package, Liner Shim, .0343" / .871MM Thick	6I4362	223-8017	6

Engine Gaskets

Engine Full Gasket Set	Contains OE#'s: 2322922, 2326574, 2341874, 3E4328, 5P8366, 6V9221, 7X7657, 8C5704, And 9X6425	See Note	FS4966A*	1
	For 7FB27302-73752, 4MG3600-Up, 8TC1413-Up	See Note	FS4966B	1
Engine Cylinder Head Gasket Set		Exclusive	HS4931B	1
		2266070	HS54154-1	1
		2310649	HS54154-15	1
		2193501	HS54154-17	1
		1412222	HS54154-18	1
	Consolidated Set	2326652 5P8053	HS54154-2	1
	Consolidated Set	2902060 8C5704	HS54154-4	1

PART	NOTES	OE INTERCHANGE NUMBER	PART NUMBER	ORDER QTY
------	-------	-----------------------	-------------	-----------

53 (cont.)	Engine Codes: '3406, 3406E' 6 Cyl, 14.6L / 893 CID, Bore 137.2mm / 5.400", Stroke 165.1mm / 6.500"			53 (cont.)
-----------------------	--	--	--	-----------------------

Engine Gaskets

Engine Cylinder Head Gasket Set	Consolidated Set	1464229 2339474	HS54154-7	1	
		5P8366	HS54154-9	1	
	For Engines With A Single Valve Cover	2161252	HS54214-1	1	
	For Engines With 3 Individual Valve Covers	2486740	HS54214-2	1	
Engine Conversion Gasket Set		8T6930	CS54154-13	1	
		8C4455	CS54154-14	1	
		1104899	CS54154-15	1	
		1294498	CS54154-16	1	
		3E4328	CS54154-2	1	
		6V9221	CS54154-4	1	
		9X6473	CS54154-5	1	
		3E4326	CS54154-6	1	
		5P8108	CS54154-7	1	
		1248899	CS54214-1	1	
		1535527	CS54214-11	1	
		Supersedes To CS54214-3	1309035	CS54214-2	1
			1429672	CS54214-3	1
			1803446	CS54214-4	1
			2144150	CS54214-5	1
		1190957	CS54214-7	1	
		1248898	CS54214-8	1	
		1209328	CS54214-9	1	
In-frame Overhaul Set	Covers OE#'s: Head Sets 2193501, 2902060, 8C5704, And Pan Gasket 4N1151	See Note	EK0102VR	1	
	Covers OE#'s: 2266070, Head Set 2310649, And Pan Gasket 4N1151(2)	See Note	EK0202	1	
	Covers OE#'s: Head Sets 1464229, 2339474, 7X7657, And Pan Gasket 4N1151(2)	See Note	EK3533VR	1	
	Covers OE#'s: 2326652, Head Set 5P8053, And Pan Gasket 4N1151(2)	See Note	EK3534VR	1	
	Contains OE#'s: Head Set 2161252 And Pan Gasket 4N1151(2), For Engines With A Single Valve Cover	See Note	EK3535VR	1	
	Contains OE#'s: Head Set 2486740 And Pan Gasket 4N1151(2), For Engines with 3 Individual Valve Covers	See Note	EK3536	1	
Engine Cylinder Head Gasket		6I3066	54154	1	
		1539653	54214	1	
	Can Be Used On 3406E When Head Has Been Upgraded To C15 Design	2245122	54643	1	
Engine Valve Cover Gasket Set	For Engines With 3 Individual Valve Covers, Includes 1497378(6) Valve Cover Grommets	2429537	VS50445	3	



PART	NOTES	OE INTERCHANGE NUMBER	PART NUMBER	ORDER QTY
------	-------	-----------------------	-------------	-----------

53 (cont.)	Engine Codes: '3406, 3406E' 6 Cyl, 14.6L / 893 CID, Bore 137.2mm / 5.400", Stroke 165.1mm / 6.500"			53 (cont.)
-----------------------	--	--	--	-----------------------

Engine Gaskets (cont.)

Engine Valve Cover Gasket Set	Injector Removal And Replacement Gasket Kit, Includes OE#s: Valve Cover Gasket 242-9537(3), Rocker Cover Seal (3 Meters) 5P5678, Valve Cover Grommets 149-7378(18), 9X7417(6), 9X7418(6), And Injector O-Rings 9X7419(6)	See Note	VS50464	1
Engine Valve Cover Gasket	Rocker Gasket, Seal Stock, 3 Meters Long, 4.19MM X 9.52MM	5P5678	VS50518	1
Engine Valve Stem Seal Set	12 Per Package, Cost is Per Each Seal	1632478	B45978	24
Exhaust Manifold Gasket Set	6 Per Package	1299452	MS19416	1
	6 Per Package	1384611	MS19417	1
Engine Oil Pan Gasket Set	1 Pan Gasket Only, Puzzle Gasket, Paper, For Both Inline And V Series	4N1151	OS32183	1
	2 Pan Gaskets, Puzzle Gasket, Contains OE#s: 4N1151(2), 1090078, And 5P5846	4N1151	OS32500A	1
Engine Timing Cover Gasket Set		2341874	JV5049	1
		2341866	JV5089	1
		2336984	JV5093	1
Engine Timing Cover Seal	Includes Wear Sleeve	1425867	67741	1
Rear Main Seal Set	Consolidated Set	1609367 2326574 6V8608 7X2863	JV1672	1
		2322922	JV1674	1
		2323679	JV1698	1
Rear Main Seal	Includes Wear Sleeve	1425868	67656	1

Miscellaneous Gaskets

Engine Coolant Thermostat Seal		3S9643	GS27706	1
Fuel Injection Nozzle O-Ring	Contains OE#s: 9L9098, 5P2060, 8L2779, 1143364, And 7W4487	See Note	GS33506	6
	Injector Sleeve O-Rings, For OD Of Injector Cup, Contains OE#s: 1662903, 1662904, And 9X7430	See Note	GS33507•	1
	Contains OE#s: 9X7317, 9X7319, And 9X7318	2481394	GS33521	1

Bearings

Connecting Rod Bearing (Pair)	1.535" Length Rod Bearing, Locking Lug On Left Hand Side	9Y9497	CB-1262AL	6
		Exclusive	CB-1262AL-10	
		4W5702	CB-1262AL-25	
		4W5703	CB-1262AL-50	
	1.930" Length	9Y7735	CB-1622P	6
		7E0558	CB-1622P-25	
7E0559		CB-1622P-50		



PART	NOTES	OE INTERCHANGE NUMBER	PART NUMBER	ORDER QTY
------	-------	-----------------------	-------------	-----------

53 (cont.)	Engine Codes: '3406, 3406E' 6 Cyl, 14.6L / 893 CID, Bore 137.2mm / 5.400", Stroke 165.1mm / 6.500"			53 (cont.)
-----------------------	--	--	--	-----------------------

Bearings

Main Bearings (Single, Pair)	1.645" Bearing Length	2170390	MB-2848AL	7
		Exclusive	MB-2848AL-10	
		4W5698	MB-2848AL-25	
		4W5699	MB-2848AL-50	
Thrust Washer Set	2 Per Package	2531752	TW-583S	1
Thrust Washer (Individual)		2531752	MB-3448W	2
Piston Pin Bushing	9 Degree, Wide Tapered Connecting Rod Requires Boring	4P8495	223-3586	6
	Wide Taper, Big Pin 2.16"	6I2726	223-3703	6
	Late With 4 Bolt Connecting Rod	2296259	223-3704	6
	Straight Side Bushing	8N0705	223-3705	6
	6 Degree Narrow Taper	8N0706	223-3709	6
Camshaft Bearing		2165582	SH-1979	7
	Position Number 2-3-4-5-6-7	4N0685	SH-2186	6
	Position Number 1	4N6658	SH-2187	1

Valve Train & Ancillary

Valve (Intake)	Stellite Face, 7.1377" Length, 1.771" Head Diameter, Unchromed Stem	2W2622	211-2493	12
	Chrome Plated Stem	1152368	211-4315•	12
Valve (Exhaust)	1.646" Head Diameter, Length .608", Stellite Face, Doweled Valve Bridge, 3400 C Series Only, 44 Degree Seat, Unchromed Stem	1W3860	211-2494	12
	3400 C Series Only, Stellite Face, 1.646" Head Diameter, With Hydraulic Electronic Injection, Non-Dowel Valve Bridge	1220321	211-4281	12
	Chrome Plated Stem	1152367	211-4316•	12
Valve Guide	.3745" ID, .6298" OD, 3.358" Length	1227375	217-4110	24
Valve Guide (Intake & Exhaust)	.3750" ID, .6890" OD, 3.250" Length, High Strength Alloy	1737188	217-3259	24
Valve Seat Insert (Intake)	1.562" ID, 1.812" OD, .3650" Depth	4N5893	218-7806	24
Valve Seat Insert (Exhaust)	1.4375" ID, 1.687" OD, .3650" Depth	1527582	218-7805	12

Filters

Spin-on oil filter		1R0716	OC 484	1
Spin-on fuel filter	Water Separator	1290373 1335671 1335673	KC 430D	1

Turbochargers

Turbocharger		0R5796 7N4651	127 TC 15120 000	1
		0R5733 0R6957	127 TC 21003 000	1



PART	NOTES	OE INTERCHANGE NUMBER	PART NUMBER	ORDER QTY
------	-------	-----------------------	-------------	-----------

53 (cont.)	Engine Codes: '3406, 3406E' 6 Cyl, 14.6L / 893 CID, Bore 137.2mm / 5.400", Stroke 165.1mm / 6.500"			53 (cont.)
-----------------------	--	--	--	-----------------------

Turbochargers

Turbocharger		0R6333 7C7691	127 TC 24094 000•	1
		0R6167 4P2061	127 TC 24100 000•	1
	For 3406C And 3406E Engine	0R7087 0R7202	127 TC 24111 000•	1
		0R7205 0R9928	127 TC 24112 000•	1
		0R7285 0R7924	127 TC 24113 000•	1
		0R7203 0R7923 1666752	127 TC 24114 000•	1
		0R7200 1418936 6I4574	127 TC 24116 000•	1
		0R6165 4P2059	127 TC 24162 000•	1
		0R6166 4P2060	127 TC 24163 000•	1

Crankshaft

Crankshaft	Without Gear, 12 Bolt Nose, Narrow Journal	7C4859	247-5026	1
	Without Gear	6I1453	247-5146	1
	With Gear, OE# 7N7571, 12 Bolt Nose, Narrow Journal	1170456	247-5219	1

54	Engine Code: '3408' 8 Cyl, 18.0L / 1099 CID, Bore 137.2mm / 5.400", Stroke 152.4mm / 6.000"; Sleeved Engine			54
-----------	---	--	--	-----------

Cylinder Components

Cylinder Sleeve Assembly	15.6:1 CR, With 9Y7212 Piston, Keystone Compression Rings, Up to 310 HP, B, ATAAC, Dual Ni-Resist Inserts, Direct Injection, 9 Degree Wide Tapered Rod, Standard Clearance Liner, 0R2862 (Inline), 0R1572 (V Series) Identifies Piston Pack	0R1572	226-1733	8
	With 1723280 Piston, Keystone Compression Rings,)R8200 Indentifies Piston Pack	0R8200	226-2042	8
Cylinder Sleeve		1979322	226-4506	8
Cylinder Sleeve (Bare)	Use With Part Number 223-7195	1979322	226-4506X	8
	Bainitic Material	1979322	226-4617X	8
Piston	15.6:1 CR, ATAAC, Up To 310 HP, Keystone Compression Rings, Dual Ni-Resist Inserts, No Heat Plug, Direct Injection, 9 Degree Wide Tapered Rod	9Y7212	224-3245	8



PART	NOTES	OE INTERCHANGE NUMBER	PART NUMBER	ORDER QTY
------	-------	-----------------------	-------------	-----------

54 (cont.)	Engine Code: '3408' 8 Cyl, 18.0L / 1099 CID, Bore 137.2mm / 5.400", Stroke 152.4mm / 6.000"; Sleeved Engine			54 (cont.)
-----------------------	---	--	--	-----------------------

Cylinder Components

Piston (Bare)	15.6:1 CR, Up To 310 HP, B, ATAAC, Keystone Compression Rings, Dual Ni-Resist Inserts, No Heat Plug, Direct Injection, 9 Degree Wide Tapered Rod, Contained Within 226-1733, Use With Part Number 223-1830 And 223-5507	9Y7212	224-3245X	8
		1723280	224-3764X	8
Piston Pin	2.000" Diameter, 4.405" Length	8N1608	223-1830	8
	1.999" Diameter, 4.525" Length	7N9806	223-1833	8
	1.999" Diameter, 3.996" Length	7N9807	223-1839	8
Lock Ring	2 Per Package	7E5665	223-5507	8
Sleeve O-Ring Kit	Contains OE#'s: 9L5854, 1102220, 1427072, And 1426217	1609874	223-7195	8

Engine Gaskets

Engine Valve Cover Gasket	Rocker Gasket, Seal Stock, 3 Meters Long, 4.19MM X 9.52MM	5P5678	VS50518	4
----------------------------------	---	--------	---------	---

Bearings

Connecting Rod Bearing (Pair)	1.535" Length Rod Bearing, Locking Lug On Left Hand Side	9Y9497	CB-1262AL	8
		Exclusive	CB-1262AL-10	
		4W5702	CB-1262AL-25	
		4W5703	CB-1262AL-50	
Main Bearings (Single, Pair)	1.645" Bearing Length	2170390	MB-2848AL	5
		Exclusive	MB-2848AL-10	
		4W5698	MB-2848AL-25	
		4W5699	MB-2848AL-50	
Thrust Washer Set	2 Per Package	2531752	TW-583S	1
Thrust Washer (Individual)		2531752	MB-3448W	2
Piston Pin Bushing	9 Degree, Wide Tapered Connecting Rod Requires Boring	4P8495	223-3586	8
Camshaft Bearing	Position Number 2,3,4	4N0685	SH-2186	3
	Position Number 1 And 5	4N6658	SH-2187	2

Valve Train & Ancillary

Valve (Intake)	Stellite Face, 7.1377" Length, 1.771" Head Diameter, Unchromed Stem	2W2622	211-2493	16
	Chrome Plated Stem	1152368	211-4315•	16
Valve (Exhaust)	1.646" Head Diameter, Length .608", Stellite Face, Doweled Valve Bridge, 3400 C Series Only, 44 Degree Seat, Unchromed Stem	1W3860	211-2494	16
	Chrome Plated Stem	1152367	211-4316•	16
Valve Guide (Intake & Exhaust)	.3750" ID, .6890" OD, 3.250" Length, High Strength Alloy	1737188	217-3259	32
Valve Seat Insert (Exhaust)	1.4375" ID, 1.687" OD, .3650" Depth	1527582	218-7805	16



PART	NOTES	OE INTERCHANGE NUMBER	PART NUMBER	ORDER QTY
------	-------	-----------------------	-------------	-----------

54 (cont.)	Engine Code: '3408' 8 Cyl, 18.0L / 1099 CID, Bore 137.2mm / 5.400", Stroke 152.4mm / 6.000"; Sleeved Engine	54 (cont.)		
-----------------------------	---	-----------------------------	--	--

Valve Train & Ancillary

Valve Seat Insert (Intake And Exhaust)	1.562" ID, 1.812" OD, .3650" Depth	4N5893	218-7806	32
---	------------------------------------	--------	-----------------	----

Filters

Spin-on oil filter		1R0716	OC 484	1
Spin-on fuel filter	Water Separator	1290373 1335671 1335673	KC 430D	1

Crankshaft

Crankshaft	With Gear	1W5009	247-5147	1
-------------------	-----------	--------	-----------------	---

55	Engine Code: '3412' 12 Cyl, 27.0L / 1649 CID, Bore 137.2mm / 5.400", Stroke 152.4mm / 6.000"	55		
-----------	--	-----------	--	--

Cylinder Components

Cylinder Sleeve Assembly	15.6:1 CR, With 9Y7212 Piston, Keystone Compression Rings, Up to 310 HP, B, ATAAC, Dual Ni-Resist Inserts, Direct Injection, 9 Degree Wide Tapered Rod, Standard Clearance Liner, 0R2862 (Inline), 0R1572 (V Series) Identifies Piston Pack	0R1572	226-1733	12
	Crownless Kit Includes Rings, Skirt, Pin, Locks, Liner, And O-Rings, Contains Piston Skirt 224-3347X (OE#1326663), Ring Set S41927 Contains OE#'s: Top 1777496, Intermediate 1765749, And Oil 1899771	See Note	226-1994	12
	Crownless Kit Includes Rings, Skirt, Pin, Locks, Liner And O-Rings, Contains Piston Skirt 224-3346X (OE# 1300241), Contains Ring Set S41890 (OE# 1W8922 Ring Set Includes Gray Armor Top Ring)	See Note	226-1995	12
	With 1723280 Piston, Keystone Compression Rings,)R8200 Identifies Piston Pack	0R8200	226-2042	12
Cylinder Sleeve		1979322	226-4506	12
Cylinder Sleeve (Bare)	Use With Part Number 223-7195	1979322	226-4506X	12
	Bainitic Material	1979322	226-4617X	12
Piston	15.6:1 CR, ATAAC, Up To 310 HP, Keystone Compression Rings, Dual Ni-Resist Inserts, No Heat Plug, Direct Injection, 9 Degree Wide Tapered Rod	9Y7212	224-3245	12
Piston (Bare)	15.6:1 CR, Up To 310 HP, B, ATAAC, Keystone Compression Rings, Dual Ni-Resist Inserts, No Heat Plug, Direct Injection, 9 Degree Wide Tapered Rod, Contained Within 226-1733, Use With Part Number 223-1830 And 223-5507	9Y7212	224-3245X	12
		1723280	224-3764X	12
Ring Set	Contains OE#'s: Top 1777496, Intermediate 1765749, And Oil 1899771	See Note	S41927	12
Piston Pin	2.000" Diameter, 4.405" Length	8N1608	223-1830	12
	1.999" Diameter, 4.525" Length	7N9806	223-1833	12
	1.999" Diameter, 3.996" Length	7N9807	223-1839	12



PART	NOTES	OE INTERCHANGE NUMBER	PART NUMBER	ORDER QTY
------	-------	-----------------------	-------------	-----------

55 (cont.)	Engine Code: '3412' 12 Cyl, 27.0L / 1649 CID, Bore 137.2mm / 5.400", Stroke 152.4mm / 6.000"			55 (cont.)
-----------------------	--	--	--	-----------------------

Cylinder Components

Lock Ring	2 Per Package	7E5665	223-5507	12
Sleeve O-Ring Kit	Contains OE#'s: 9L5854, 1102220, 1427072, And 1426217	1609874	223-7195	12

Miscellaneous Gaskets

Engine Coolant Thermostat Seal		3S9643	GS27706	1
--------------------------------	--	--------	---------	---

Bearings

Connecting Rod Bearing (Pair)	1.535" Length Rod Bearing, Locking Lug On Left Hand Side	9Y9497	CB-1262AL	12
		Exclusive	CB-1262AL-10	
		4W5702	CB-1262AL-25	
		4W5703	CB-1262AL-50	
Main Bearings (Single, Pair)	1.645" Bearing Length	2170390	MB-2848AL	7
		Exclusive	MB-2848AL-10	
		4W5698	MB-2848AL-25	
		4W5699	MB-2848AL-50	
Thrust Washer Set	2 Per Package	2531752	TW-583S	1
Thrust Washer (Individual)		2531752	MB-3448W	2
Piston Pin Bushing	9 Degree, Wide Tapered Connecting Rod Requires Boring	4P8495	223-3586	12
	Straight Side Bushing	8N0705	223-3705	12
Camshaft Bearing	Position Number 2-3-4-5-6	4N0685	SH-2186	5
	Position Number 1 And 7	4N6658	SH-2187	2

Valve Train & Ancillary

Valve (Intake)	Stellite Face, 7.1377" Length, 1.771" Head Diameter, Unchromed Stem	2W2622	211-2493	24
	Chrome Plated Stem	1152368	211-4315•	24
Valve (Exhaust)	1.646" Head Diameter, Length .608", Stellite Face, Doweled Valve Bridge, 3400 C Series Only, 44 Degree Seat, Unchromed Stem	1W3860	211-2494	24
	Chrome Plated Stem	1152367	211-4316•	24
Valve Guide	.3745" ID, .6298" OD, 3.358" Length	1227375	217-4110	48
Valve Guide (Intake & Exhaust)	.3750" ID, .6890" OD, 3.250" Length, High Strength Alloy	1737188	217-3259	48
Valve Seat Insert (Exhaust)	1.4375" ID, 1.687" OD, .3650" Depth	1527582	218-7805	24
Valve Seat Insert (Intake And Exhaust)	1.562" ID, 1.812" OD, .3650" Depth	4N5893	218-7806	48

Filters

Spin-on oil filter		1R0716	OC 484	1
Spin-on fuel filter	Water Separator	1290373 1335671 1335673	KC 430D	1



PART	NOTES	OE INTERCHANGE NUMBER	PART NUMBER	ORDER QTY
------	-------	-----------------------	-------------	-----------

55 (cont.)	Engine Code: '3412' 12 Cyl, 27.0L / 1649 CID, Bore 137.2mm / 5.400", Stroke 152.4mm / 6.000"			55 (cont.)
-----------------------	--	--	--	-----------------------

Crankshaft

Crankshaft	Straight Tooth Gear	2619648	247-5150	1
	Helioid Tooth Gear, Older Version	2619647	247-5151	1

56	Engine Code: '1693' 6 Cyl, 14.6L / 893 CID, Bore 137.2mm / 5.400", Stroke 165.1mm / 6.500"			56
-----------	--	--	--	-----------

Cylinder Components

Cylinder Block Repair Bushing	Upper Repair Block Bushing, For Use On Non-Blated Blocks- S/N 65B11052-Up, OD 6.6675, ID 6.2605, Lth. . 206	5P4173	223-8146	6
Piston	Keystone Compression Rings, Dual Ni-Resist Inserts, Bolt In Heat Plug, Precombustion	9N2874	224-3275	6
Piston (Bare)	Keystone Compression Rings, Dual Ni-Resist Inserts, Bolt In Heat Plug, Precombustion	9N2874	224-3275X	6
Piston Pin	1.999" Diameter, 4.525" Length	7N9806	223-1833	6
Lock Ring	2 Per Package	7E5665	223-5507	6
Sleeve O-Ring Kit	Contains OE#s: 3S3978(3) And 9L5854	5P8789	223-7146	6

Bearings

Connecting Rod Bearing (Pair)		7W2136	CB-694AL	6
		8N5339	CB-694AL-25	
Main Bearings (Single, Pair)		8N5346	MB-2279AL-25	6

Valve Train & Ancillary

Valve Guide	.3750" ID, .6892" OD, 2.815" Length, For Rotators	4N3668	217-4063	24
Valve Seat Insert	1.4375" ID, 1.687" OD, .3650" Depth	1527582	218-7805	12
Valve Seat Insert (Intake And Exhaust)	1.562" ID, 1.812" OD, .3650" Depth	4N5893	218-7806	12

Filters

Spin-on fuel filter		6L7440	KC 28	1
---------------------	--	--------	-------	---

57	Engine Codes: '3456, C16' 6 Cyl, 15.8L / 964 CID, Bore 140.0mm / 5.512", Stroke 171.5mm / 6.750"; Turbocharged			57
-----------	--	--	--	-----------

Cylinder Components

Lock Ring	2 Per Package	7E1177	223-5511	6
-----------	---------------	--------	----------	---

Engine Gaskets

Engine Valve Stem Seal Set	12 Per Package, Cost is Per Each Seal	1632478	B45978	24
Exhaust Manifold Gasket Set	6 Per Package	1384611	MS19417	1



PART	NOTES	OE INTERCHANGE NUMBER	PART NUMBER	ORDER QTY
------	-------	-----------------------	-------------	-----------

57 (cont.)	Engine Codes: '3456, C16' 6 Cyl, 15.8L / 964 CID, Bore 140.0mm / 5.512", Stroke 171.5mm / 6.750"; Turbocharged			57 (cont.)
-----------------------------	--	--	--	-----------------------------

Engine Gaskets

Engine Oil Pan Gasket Set	1 Pan Gasket Only, Puzzle Gasket, Paper, For Both Inline And V Series	4N1151	OS32183	1
	Contains OE#'s: Isolation Seal Oil Pan Gasket 1685248 And Oil Pan Grommets 2401614(24)	See Note	OS32300	1

Miscellaneous Gaskets

Fuel Injection Nozzle O-Ring	Injector Sleeve O-Rings, For OD Of Injector Cup, Contains OE#'s: 1662903, 1662904, And 9X7430	See Note	GS33507•	6
-------------------------------------	---	----------	-----------------	---

Bearings

Connecting Rod Bearing (Pair)	1.930" Length	9Y7735	CB-1622P	6
		7E0558	CB-1622P-25	
		7E0559	CB-1622P-50	
	4 Bolt Connecting Rod	2243246	CB-1933P	6
		2323235	CB-1933P-25	
Main Bearings (Single, Pair)	1.645" Bearing Length	2170390	MB-2848AL	7
		Exclusive	MB-2848AL-10	
		4W5698	MB-2848AL-25	
		4W5699	MB-2848AL-50	
Thrust Washer Set	2 Per Package	2531752	TW-583S	1
Thrust Washer (Individual)		2531752	MB-3448W	2
Camshaft Bearing		2165582	SH-1979	7

Valve Train & Ancillary

Valve (Intake)	1.850" Head Diameter, Inconel, 2 Groove	1537023	211-4166	12
Valve (Exhaust)	1.646" Head Diameter, Inconel, 2 Groove	1537024	211-4167	12

Filters

Spin-on oil filter		1R0716	OC 484	1
Spin-on fuel filter	Water Separator	1290373 1335671 1335673	KC 430D	1

Turbochargers

Turbocharger		0R7285 0R7924	127 TC 24113 000•	1
---------------------	--	------------------	--------------------------	---

58	Engine Code: 'C18' 6 Cyl, 18.1L / 1106 CID, Bore 145.0mm / 5.709", Stroke 183.0mm / 7.205"			58
-----------	--	--	--	-----------

Bearings

Connecting Rod Bearing (Pair)	4 Bolt Connecting Rod	2243246	CB-1933P	6
		2323235	CB-1933P-25	
Piston Pin Bushing	Late With 4 Bolt Connecting Rod	2296259	223-3704	6



PART	NOTES	OE INTERCHANGE NUMBER	PART NUMBER	ORDER QTY
------	-------	-----------------------	-------------	-----------

58 (cont.)	Engine Code: 'C18' 6 Cyl, 18.1L / 1106 CID, Bore 145.0mm / 5.709", Stroke 183.0mm / 7.205"			58 (cont.)
-----------------------------	--	--	--	-----------------------------

Filters

Spin-on oil filter		1R0716	OC 484	1
--------------------	--	--------	--------	---

59	Engine Codes: 'D386, D397' 12 Cyl, 40.9L / 2493 CID, Bore 146.1mm / 5.750", Stroke 203.2mm / 8.000"			59
-----------	---	--	--	-----------

Cylinder Components

Cylinder Sleeve Assembly	With 4M9111 Piston, Rectangular Compression Rings, Bolt In Heat Plug, Can Upgrade To 226-1721 (Keystone Compression Rings-OR3756) In Sets	See Note	226-1697	12
Cylinder Sleeve		8N5676	226-4465	12
Cylinder Sleeve (Bare)	Use With Part Number 223-7115	8N5676	226-4465X	12
Piston	Rectangular Compression Rings, Bolt In Heat Plug	4M9111	224-3189	12
Piston (Bare)	Rectangular Compression Rings, Bolt In Heat Plug, Contained Within 226-1697, Can Upgrade To 224-3185X In Sets, Use With Part Number 223-1831 And 223-5501	4M9111	224-3189X	12
Ring Set	Contains OE#'s: Top 5M4281, Intermediate 5M9053, And Oil 5M5697, Rectangular Top Ring	3S4031	S41822	12
Piston Pin	2.390" Diameter, 4.726" Length	7N9809	223-1831	12
Lock Ring	2 Per Package	7M4926	223-5505	12

Valve Train & Ancillary

Valve (Intake)	2.343" Head Diameter, With .4955" Stem Diameter, Stellite Face, Tapered Groove	8H1993	211-2351	12
Valve (Exhaust)	2.282" Head Diameter, With .4955" Stem Diameter, Stellite Face, Tapered Groove	8H1994	211-2352	12

60	Engine Codes: 'D364, D375' 8 Cyl, 27.3L / 1662 CID, Bore 146.1mm / 5.750", Stroke 165.1mm / 6.500"			60
-----------	--	--	--	-----------

Cylinder Components

Cylinder Sleeve Assembly	With 4M9111 Piston, Rectangular Compression Rings, Bolt In Heat Plug, Can Upgrade To 226-1721 (Keystone Compression Rings-OR3756) In Sets	See Note	226-1697	8
Cylinder Sleeve		8N5676	226-4465	8
Cylinder Sleeve (Bare)	Use With Part Number 223-7115	8N5676	226-4465X	8
Piston	Rectangular Compression Rings, Bolt In Heat Plug	4M9111	224-3189	8
Piston (Bare)	Rectangular Compression Rings, Bolt In Heat Plug, Contained Within 226-1697, Can Upgrade To 224-3185X In Sets, Use With Part Number 223-1831 And 223-5501	4M9111	224-3189X	8
Ring Set	Contains OE#'s: Top 5M4281, Intermediate 5M9053, And Oil 5M5697, Rectangular Top Ring	3S4031	S41822	8
Piston Pin	2.390" Diameter, 4.726" Length	7N9809	223-1831	8
Lock Ring	2 Per Package	7M4926	223-5505	8



PART	NOTES	OE INTERCHANGE NUMBER	PART NUMBER	ORDER QTY
------	-------	-----------------------	-------------	-----------

60 (cont.)	Engine Codes: 'D364, D375' 8 Cyl, 27.3L / 1662 CID, Bore 146.1mm / 5.750", Stroke 165.1mm / 6.500"			60 (cont.)
-----------------------------	--	--	--	-----------------------------

Cylinder Components

Sleeve O-Ring Kit	Contains OE#s: 8N4638 And 6L7812(3)	5P9221	223-7115	8
-------------------	-------------------------------------	--------	----------	---

Valve Train & Ancillary

Valve (Intake)	2.343" Head Diameter, With .4955" Stem Diameter, Stellite Face, Tapered Groove	8H1993	211-2351	8
Valve (Exhaust)	2.282" Head Diameter, With .4955" Stem Diameter, Stellite Face, Tapered Groove	8H1994	211-2352	8

61	Engine Code: 'D8841' 4 Cyl, 13.6L / 831 CID, Bore 146.1mm / 5.750", Stroke 203.2mm / 8.000"			61
-----------	---	--	--	-----------

Bearings

Connecting Rod Bearing (Pair)	2.000" Length	8N7933	CB-964AL	4
		8N7934	CB-964AL-25	
		8N7935	CB-964AL-50	

62	Engine Code: 'G342' 6 Cyl, 20.4L / 1246 CID, Bore 146.1mm / 5.750", Stroke 203.2mm / 8.000"			62
-----------	---	--	--	-----------

Cylinder Components

Cylinder Sleeve		8N5676	226-4465	6
Cylinder Sleeve (Bare)	Use With Part Number 223-7115	8N5676	226-4465X	6
Piston Pin	2.390" Diameter, 4.726" Length	7N9809	223-1831	6
Lock Ring	2 Per Package	7M4926	223-5505	6
Sleeve O-Ring Kit	Contains OE#s: 8N4638 And 6L7812(3)	5P9221	223-7115	6

Bearings

Connecting Rod Bearing (Pair)	2.000" Length	8N7933	CB-964AL	6
		8N7934	CB-964AL-25	
		8N7935	CB-964AL-50	
Main Bearings (Single, Pair)		8N7924	MB-2585AL-25•	6

Valve Train & Ancillary

Valve (Intake)	2.343" Head Diameter, With .4955" Stem Diameter, Stellite Face, Tapered Groove	8H1993	211-2351	6
Valve (Exhaust)	2.282" Head Diameter, With .4955" Stem Diameter, Stellite Face, Tapered Groove	8H1994	211-2352	6



PART	NOTES	OE INTERCHANGE NUMBER	PART NUMBER	ORDER QTY
------	-------	-----------------------	-------------	-----------

63	Engine Code: 'D342' 6 Cyl, 20.4L / 1246 CID, Bore 146.1mm / 5.750", Stroke 203.2mm / 8.000"			63
-----------	---	--	--	-----------

Cylinder Components

Cylinder Sleeve Assembly	With 4M9111 Piston, Rectangular Compression Rings, Bolt In Heat Plug, Can Upgrade To 226-1721 (Keystone Compression Rings-0R3756) In Sets	See Note	226-1697	6
	Contains OE# Piston 7N1366, Keystone Compression Rings, Dual Ni-Resist Inserts, Bolt In Heat Plug, OE Piston Pack# 0R3756	0R3756	226-1721	6
Cylinder Sleeve		8N5676	226-4465	6
Cylinder Sleeve (Bare)	Use With Part Number 223-7115	8N5676	226-4465X	6
Piston	Keystone Compression Rings, Dual Ni-Resist Inserts, Bolt In Heat Plug	7N1366	224-3185	6
	Rectangular Compression Rings, Bolt In Heat Plug	4M9111	224-3189	6
Piston (Bare)	Keystone Compression Rings, Dual Ni-Resist Inserts, Bolt In Heat Plug, Contained Within 226-1721, Use With Part Number 223-1831 And 223-5501	7N1366	224-3185X	6
	Rectangular Compression Rings, Bolt In Heat Plug, Contained Within 226-1697, Can Upgrade To 224-3185X In Sets, Use With Part Number 223-1831 And 223-5501	4M9111	224-3189X	6
Ring Set	Late Design, Turbocharged, 3 Ring Piston, Top OE# 8N5654, Intermediate OE# 2S8884, Oil OE# 3H0881, Keystone Compression Rings	8N5760	S41329	6
	Contains OE#'s: Top 5M4281, Intermediate 5M9053, And Oil 5M5697, Rectangular Top Ring	3S4031	S41822	6
Piston Pin	2.390" Diameter, 4.726" Length	7N9809	223-1831	6
Lock Ring	2 Per Package	7M4926	223-5505	6
Sleeve O-Ring Kit	Contains OE#'s: 8N4638 And 6L7812(3)	5P9221	223-7115	6

Bearings

Connecting Rod Bearing (Pair)	2.000" Length	8N7933	CB-964AL	6
		8N7934	CB-964AL-25	
		8N7935	CB-964AL-50	
Main Bearings (Single, Pair)		8N7924	MB-2585AL-25•	6

Valve Train & Ancillary

Valve (Intake)	2.343" Head Diameter, With .4955" Stem Diameter, Stellite Face, Tapered Groove	8H1993	211-2351	6
Valve (Exhaust)	2.282" Head Diameter, With .4955" Stem Diameter, Stellite Face, Tapered Groove	8H1994	211-2352	6

64	Engine Code: 'D339' 4 Cyl, 13.6L / 831 CID, Bore 146.1mm / 5.750", Stroke 203.2mm / 8.000"			64
-----------	--	--	--	-----------

Cylinder Components

Cylinder Sleeve Assembly	With 4M9111 Piston, Rectangular Compression Rings, Bolt In Heat Plug, Can Upgrade To 226-1721 (Keystone Compression Rings-0R3756) In Sets	See Note	226-1697	4
---------------------------------	---	----------	-----------------	---



PART	NOTES	OE INTERCHANGE NUMBER	PART NUMBER	ORDER QTY
------	-------	-----------------------	-------------	-----------

64 (cont.)	Engine Code: 'D339' 4 Cyl, 13.6L / 831 CID, Bore 146.1mm / 5.750", Stroke 203.2mm / 8.000"			64 (cont.)
-----------------------------	--	--	--	-----------------------------

Cylinder Components

Cylinder Sleeve		8N5676	226-4465	4
Cylinder Sleeve (Bare)	Use With Part Number 223-7115	8N5676	226-4465X	4
Piston	Rectangular Compression Rings, Bolt In Heat Plug	4M9111	224-3189	4
Piston (Bare)	Rectangular Compression Rings, Bolt In Heat Plug, Contained Within 226-1697, Can Upgrade To 224-3185X In Sets, Use With Part Number 223-1831 And 223-5501	4M9111	224-3189X	4
Ring Set	Contains OE#'s: Top 5M4281, Intermediate 5M9053, And Oil 5M5697, Rectangular Top Ring	3S4031	S41822	4
Piston Pin	2.390" Diameter, 4.726" Length	7N9809	223-1831	4
Lock Ring	2 Per Package	7M4926	223-5505	4
Sleeve O-Ring Kit	Contains OE#'s: 8N4638 And 6L7812(3)	5P9221	223-7115	4

Bearings

Connecting Rod Bearing (Pair)	2.000" Length	8N7933	CB-964AL	4
		8N7934	CB-964AL-25	
		8N7935	CB-964AL-50	

Valve Train & Ancillary

Valve (Intake)	2.343" Head Diameter, With .4955" Stem Diameter, Stellite Face, Tapered Groove	8H1993	211-2351	4
Valve (Exhaust)	2.282" Head Diameter, With .4955" Stem Diameter, Stellite Face, Tapered Groove	8H1994	211-2352	4

65	Engine Code: 'D13000' 6 Cyl, 20.4L / 1246 CID, Bore 146.1mm / 5.750", Stroke 203.2mm / 8.000"			65
-----------	---	--	--	-----------

Cylinder Components

Cylinder Sleeve Assembly	With 4M9111 Piston, Rectangular Compression Rings, Bolt In Heat Plug, Can Upgrade To 226-1721 (Keystone Compression Rings-0R3756) In Sets	See Note	226-1697	6
Cylinder Sleeve		8N5676	226-4465	6
Cylinder Sleeve (Bare)	Use With Part Number 223-7115	8N5676	226-4465X	6
Piston	Rectangular Compression Rings, Bolt In Heat Plug	4M9111	224-3189	6
Piston (Bare)	Rectangular Compression Rings, Bolt In Heat Plug, Contained Within 226-1697, Can Upgrade To 224-3185X In Sets, Use With Part Number 223-1831 And 223-5501	4M9111	224-3189X	6
Ring Set	Contains OE#'s: Top 5M4281, Intermediate 5M9053, And Oil 5M5697, Rectangular Top Ring	3S4031	S41822	6
Piston Pin	2.390" Diameter, 4.726" Length	7N9809	223-1831	6
Lock Ring	2 Per Package	7M4926	223-5505	6
Sleeve O-Ring Kit	Contains OE#'s: 8N4638 And 6L7812(3)	5P9221	223-7115	6



PART	NOTES	OE INTERCHANGE NUMBER	PART NUMBER	ORDER QTY
------	-------	-----------------------	-------------	-----------

65 (cont.)	Engine Code: 'D13000' 6 Cyl, 20.4L / 1246 CID, Bore 146.1mm / 5.750", Stroke 203.2mm / 8.000"			65 (cont.)
-----------------------	---	--	--	-----------------------

Bearings

Connecting Rod Bearing (Pair)	2.000" Length	8N7933	CB-964AL	6
		8N7934	CB-964AL-25	
		8N7935	CB-964AL-50	
Main Bearings (Single, Pair)		8N7924	MB-2585AL-25•	6

Valve Train & Ancillary

Valve (Intake)	2.343" Head Diameter, With .4955" Stem Diameter, Stellite Face, Tapered Groove	8H1993	211-2351	6
Valve (Exhaust)	2.282" Head Diameter, With .4955" Stem Diameter, Stellite Face, Tapered Groove	8H1994	211-2352	6

66	Engine Code: 'D353' 6 Cyl, 24.2L / 1473 CID, Bore 158.8mm / 6.250", Stroke 203.2mm / 8.000"; Sleeved Engine			66
-----------	---	--	--	-----------

Cylinder Components

Cylinder Sleeve Assembly	With 7N5036 Piston, Keystone Compression Rings, Bolt In Heat Plug, 0R3296 Identifies Piston Pack	0R3296	226-1690	6
	With 7N4515 Piston, Rectangular Compression Rings, Bolt In Heat Plug, 7N5036 Piston with Keystone Rings is Recommended For All vehicular Diesel Applications. For Vehicular Engines with the 7N4515 Piston It is recommended to Upgrade to the 5N5036 In Sets CAUTION: Do Not Mix 5N5036 and 7N4515 Pistons In The Same Engine, 0R4283 Identifies Piston Pack	0R4283	226-1844	6
Cylinder Sleeve		8N9174	226-4505	6
Cylinder Sleeve (Bare)	Use With Part Number 223-7124	8N9174	226-4505X	6
Piston	Rectangular Compression Rings, Bolt In Heat Plug, 7N5036 Piston with Keystone Rings is Recommended For All vehicular Diesel Applications. For Vehicular Engines with the 7N4515 Piston It is recommended to Upgrade to the 5N5036 In Sets CAUTION: Do Not Mix 5N5036 and 7N4515 Pistons In The Same Engine	7N4515	224-3026	6
Piston (Bare)	Keystone Compression Rings, Bolt In Heat Plug, Contained Within 226-1690, Dual Ni-Resist Inserts, Use With Part Number 223-1832 And 223-5505	7N5036	224-3022X	6
	Rectangular Compression Rings, Bolt In Heat Plug, 7N5036 Piston with Keystone Rings is Recommended For All vehicular Diesel Applications. For Vehicular Engines with the 7N4515 Piston It is recommended to Upgrade to the 5N5036 In Sets CAUTION: Do Not Mix 5N5036 and 7N4515 Pistons In The Same Engine	7N4515	224-3026X	6
Ring Set	Consolidated Set, Contains OE#s: Top 9S7507, Intermediate 3S4059, And Oil 1W5104, Rectangular Compression Rings	1W5105 1W6055	S40538	6
	Contains OE#s: Top 1N3592, Intermediate 6N6640, And Oil 1W5104, Keystone Compression Rings	1N3601	S41287	6



PART	NOTES	OE INTERCHANGE NUMBER	PART NUMBER	ORDER QTY
------	-------	-----------------------	-------------	-----------

66 (cont.)	Engine Code: 'D353' 6 Cyl, 24.2L / 1473 CID, Bore 158.8mm / 6.250", Stroke 203.2mm / 8.000"; Sleeved Engine			66 (cont.)
-----------------------------	---	--	--	-----------------------------

Cylinder Components

Piston Pin	1.500" Diameter, 3.730" Length	7N9804	223-1829	6
		7N9810	223-1832	6
Lock Ring	2 Per Package	7M4926	223-5505	6
Sleeve O-Ring Kit	Contains OE#s: 6L7815(3) And 8N4708	5P8970	223-7124	6

Bearings

Connecting Rod Bearing (Pair)		1N4336	CB-778AL	6
		1N4337	CB-778AL-25	
Piston Pin Bushing	Straight Sided, 2.260" Length, Requires Boring	8N2275	223-3570	6

Valve Train & Ancillary

Valve (Exhaust)	2.350" Head Diameter, .4955" Stem Diameter, Stellite Face, Tapered Groove	8N3723	211-3324	6
-----------------	---	--------	----------	---

Filters

Spin-on fuel filter		6L7440	KC 28	1
---------------------	--	--------	-------	---

67	Engine Code: 'D399' 16 Cyl, 64.4L / 3928 CID, Bore 158.8mm / 6.250", Stroke 203.2mm / 8.000"			67
-----------	--	--	--	-----------

Cylinder Components

Cylinder Sleeve Assembly	With 7N5036 Piston, Keystone Compression Rings, Bolt In Heat Plug, 0R3296 Identifies Piston Pack	0R3296	226-1690	16
	With 7N4515 Piston, Rectangular Compression Rings, Bolt In Heat Plug, 7N5036 Piston with Keystone Rings is Recommended For All vehicular Diesel Applications. For Vehicular Engines with the 7N4515 Piston It is recommended to Upgrade to the 5N5036 In Sets CAUTION: Do Not Mix 5N5036 and 7N4515 Pistons In The Same Engine, 0R4283 Identifies Piston Pack	0R4283	226-1844	16
Cylinder Sleeve		8N9174	226-4505	16
Cylinder Sleeve (Bare)	Use With Part Number 223-7124	8N9174	226-4505X	16
Piston	Rectangular Compression Rings, Bolt In Heat Plug, 7N5036 Piston with Keystone Rings is Recommended For All vehicular Diesel Applications. For Vehicular Engines with the 7N4515 Piston It is recommended to Upgrade to the 5N5036 In Sets CAUTION: Do Not Mix 5N5036 and 7N4515 Pistons In The Same Engine	7N4515	224-3026	16
Piston (Bare)	Keystone Compression Rings, Bolt In Heat Plug, Contained Within 226-1690, Dual Ni-Resist Inserts, Use With Part Number 223-1832 And 223-5505	7N5036	224-3022X	16
	Rectangular Compression Rings, Bolt In Heat Plug, 7N5036 Piston with Keystone Rings is Recommended For All vehicular Diesel Applications. For Vehicular Engines with the 7N4515 Piston It is recommended to Upgrade to the 5N5036 In Sets CAUTION: Do Not Mix 5N5036 and 7N4515 Pistons In The Same Engine	7N4515	224-3026X	16



PART	NOTES	OE INTERCHANGE NUMBER	PART NUMBER	ORDER QTY
------	-------	-----------------------	-------------	-----------

67 (cont.)	Engine Code: 'D399' 16 Cyl, 64.4L / 3928 CID, Bore 158.8mm / 6.250", Stroke 203.2mm / 8.000"			67 (cont.)
-----------------------------	--	--	--	-----------------------------

Cylinder Components

Ring Set	Consolidated Set, Contains OE#s: Top 9S7507, Intermediate 3S4059, And Oil 1W5104, Rectangular Compression Rings	1W5105 1W6055	S40538	16
	Contains OE#s: Top 1N3592, Intermediate 6N6640, And Oil 1W5104, Keystone Compression Rings	1N3601	S41287	16
Piston Pin		7N9810	223-1832	16
Lock Ring	2 Per Package	7M4926	223-5505	16
Sleeve O-Ring Kit	Contains OE#s: 6L7815(3) And 8N4708	5P8970	223-7124	16

Bearings

Connecting Rod Bearing (Pair)		8N7769	CB-970AL•	16
		8N7770	CB-970AL-25	
Main Bearings (Single, Pair)		8N7764	MB-2597AL	9
Thrust Washer Set	2 Per Package	4L4653	TW-226S	1
Piston Pin Bushing	Straight Sided, 2.260" Length, Requires Boring	8N2275	223-3570	16

Valve Train & Ancillary

Valve (Exhaust)	2.350" Head Diameter, .4955" Stem Diameter, Stellite Face, Tapered Groove	8N3723	211-3324	16
------------------------	---	--------	-----------------	----

68	Engine Code: 'D398' 12 Cyl, 48.3L / 2946 CID, Bore 158.8mm / 6.250", Stroke 203.2mm / 8.000"			68
-----------	--	--	--	-----------

Cylinder Components

Cylinder Sleeve Assembly	With 7N5036 Piston, Keystone Compression Rings, Bolt In Heat Plug, 0R3296 Identifies Piston Pack	0R3296	226-1690	12
	With 7N4515 Piston, Rectangular Compression Rings, Bolt In Heat Plug, 7N5036 Piston with Keystone Rings is Recommended For All vehicular Diesel Applications. For Vehicular Engines with the 7N4515 Piston It is recommended to Upgrade to the 5N5036 In Sets CAUTION: Do Not Mix 5N5036 and 7N4515 Pistons In The Same Engine, 0R4283 Identifies Piston Pack	0R4283	226-1844	12
Cylinder Sleeve		8N9174	226-4505	12
Cylinder Sleeve (Bare)	Use With Part Number 223-7124	8N9174	226-4505X	12
Piston	Rectangular Compression Rings, Bolt In Heat Plug, 7N5036 Piston with Keystone Rings is Recommended For All vehicular Diesel Applications. For Vehicular Engines with the 7N4515 Piston It is recommended to Upgrade to the 5N5036 In Sets CAUTION: Do Not Mix 5N5036 and 7N4515 Pistons In The Same Engine	7N4515	224-3026	12
Piston (Bare)	Keystone Compression Rings, Bolt In Heat Plug, Contained Within 226-1690, Dual Ni-Resist Inserts, Use With Part Number 223-1832 And 223-5505	7N5036	224-3022X	12



PART	NOTES	OE INTERCHANGE NUMBER	PART NUMBER	ORDER QTY
------	-------	-----------------------	-------------	-----------

68 (cont.)	Engine Code: 'D398' 12 Cyl, 48.3L / 2946 CID, Bore 158.8mm / 6.250", Stroke 203.2mm / 8.000"			68 (cont.)
-----------------------------	--	--	--	-----------------------------

Cylinder Components

Piston (Bare)	Rectangular Compression Rings, Bolt In Heat Plug, 7N5036 Piston with Keystone Rings is Recommended For All vehicular Diesel Applications. For Vehicular Engines with the 7N4515 Piston It is recommended to Upgrade to the 5N5036 In Sets CAUTION: Do Not Mix 5N5036 and 7N4515 Pistons In The Same Engine	7N4515	224-3026X	12
Ring Set	Consolidated Set, Contains OE#'s: Top 9S7507, Intermediate 3S4059, And Oil 1W5104, Rectangular Compression Rings	1W5105 1W6055	S40538	12
	Contains OE#'s: Top 1N3592, Intermediate 6N6640, And Oil 1W5104, Keystone Compression Rings	1N3601	S41287	12
Piston Pin		7N9810	223-1832	12
Lock Ring	2 Per Package	7M4926	223-5505	12
Sleeve O-Ring Kit	Contains OE#'s: 6L7815(3) And 8N4708	5P8970	223-7124	12

Bearings

Connecting Rod Bearing (Pair)		8N7769	CB-970AL•	12
		8N7770	CB-970AL-25	
Main Bearing Set	Requires Thrust Washer Set, Not Included	8N7764	MS-1059AL	1
Main Bearings (Single, Pair)		8N7764	MB-2597AL	7
Thrust Washer Set	2 Per Package	4L4653	TW-226S	1
Piston Pin Bushing	Straight Sided, 2.260" Length, Requires Boring	8N2275	223-3570	12

Valve Train & Ancillary

Valve (Exhaust)	2.350" Head Diameter, .4955" Stem Diameter, Stellite Face, Tapered Groove	8N3723	211-3324	12
------------------------	---	--------	----------	----

69	Engine Code: 'D379' 8 Cyl, 32.2L / 1964 CID, Bore 158.8mm / 6.250", Stroke 203.2mm / 8.000"			69
-----------	---	--	--	-----------

Cylinder Components

Cylinder Sleeve Assembly	With 7N5036 Piston, Keystone Compression Rings, Bolt In Heat Plug, 0R3296 Identifies Piston Pack	0R3296	226-1690	8
	With 7N4515 Piston, Rectangular Compression Rings, Bolt In Heat Plug, 7N5036 Piston with Keystone Rings is Recommended For All vehicular Diesel Applications. For Vehicular Engines with the 7N4515 Piston It is recommended to Upgrade to the 5N5036 In Sets CAUTION: Do Not Mix 5N5036 and 7N4515 Pistons In The Same Engine, 0R4283 Identifies Piston Pack	0R4283	226-1844	8
Cylinder Sleeve		8N9174	226-4505	8
Cylinder Sleeve (Bare)	Use With Part Number 223-7124	8N9174	226-4505X	8



PART	NOTES	OE INTERCHANGE NUMBER	PART NUMBER	ORDER QTY
------	-------	-----------------------	-------------	-----------

69 (cont.)	Engine Code: 'D379' 8 Cyl, 32.2L / 1964 CID, Bore 158.8mm / 6.250", Stroke 203.2mm / 8.000"	69 (cont.)
-----------------------------	---	-----------------------------

Cylinder Components

Piston	Rectangular Compression Rings, Bolt In Heat Plug, 7N5036 Piston with Keystone Rings is Recommended For All vehicular Diesel Applications. For Vehicular Engines with the 7N4515 Piston It is recommended to Upgrade to the 5N5036 In Sets CAUTION: Do Not Mix 5N5036 and 7N4515 Pistons In The Same Engine	7N4515	224-3026	8
Piston (Bare)	Keystone Compression Rings, Bolt In Heat Plug, Contained Within 226-1690, Dual Ni-Resist Inserts, Use With Part Number 223-1832 And 223-5505	7N5036	224-3022X	8
	Rectangular Compression Rings, Bolt In Heat Plug, 7N5036 Piston with Keystone Rings is Recommended For All vehicular Diesel Applications. For Vehicular Engines with the 7N4515 Piston It is recommended to Upgrade to the 5N5036 In Sets CAUTION: Do Not Mix 5N5036 and 7N4515 Pistons In The Same Engine	7N4515	224-3026X	8
Ring Set	Consolidated Set, Contains OE#'s: Top 9S7507, Intermediate 3S4059, And Oil 1W5104, Rectangular Compression Rings	1W5105 1W6055	S40538	8
	Contains OE#'s: Top 1N3592, Intermediate 6N6640, And Oil 1W5104, Keystone Compression Rings	1N3601	S41287	8
Piston Pin		7N9810	223-1832	8
Lock Ring	2 Per Package	7M4926	223-5505	8
Sleeve O-Ring Kit	Contains OE#'s: 6L7815(3) And 8N4708	5P8970	223-7124	8

Bearings

Connecting Rod Bearing (Pair)		8N7769	CB-970AL•	8
		8N7770	CB-970AL-25	
Main Bearing Set	Requires Thrust Washer Set, Not Included	8N7764	MS-1058AL	1
Main Bearings (Single, Pair)		8N7764	MB-2597AL	5
Thrust Washer Set	2 Per Package	4L4653	TW-226S	1
Piston Pin Bushing	Straight Sided, 2.260" Length, Requires Boring	8N2275	223-3570	8

Valve Train & Ancillary

Valve (Exhaust)	2.350" Head Diameter, .4955" Stem Diameter, Stellite Face, Tapered Groove	8N3723	211-3324	8
------------------------	---	--------	-----------------	---

70	Engine Code: 'G399' 16 Cyl, 64.4L / 3298 CID, Bore 158.8mm / 6.250", Stroke 203.2mm / 8.000"	70
-----------	--	-----------

Cylinder Components

Cylinder Sleeve		8N9174	226-4505	16
Cylinder Sleeve (Bare)	Use With Part Number 223-7124	8N9174	226-4505X	16
Piston	10.0:1 CR, Natural Gas, No Heat Plug	3S1826	224-3231	16



PART	NOTES	OE INTERCHANGE NUMBER	PART NUMBER	ORDER QTY
------	-------	-----------------------	-------------	-----------

70 (cont.)	Engine Code: 'G399' 16 Cyl, 64.4L / 3298 CID, Bore 158.8mm / 6.250", Stroke 203.2mm / 8.000"			70 (cont.)
-----------------------------	--	--	--	-----------------------------

Cylinder Components

Piston (Bare)	10.0:1 CR, Natural Gas, No Heat Plug, Use With Part Number 223-1832 And 223-5505	3S1826	224-3231X	16
Piston Pin		7N9810	223-1832	16
Lock Ring	2 Per Package	7M4926	223-5505	16
Sleeve O-Ring Kit	Contains OE#'s: 6L7815(3) And 8N4708	5P8970	223-7124	16

Bearings

Connecting Rod Bearing (Pair)		8N7769	CB-970AL•	16
		8N7770	CB-970AL-25	
Main Bearings (Single, Pair)		8N7764	MB-2597AL	9
Thrust Washer Set	2 Per Package	4L4653	TW-226S	1
Piston Pin Bushing	Straight Sided, 2.260" Length, Requires Boring	8N2275	223-3570	16

71	Engine Code: 'G398' 12 Cyl, 48.3L / 2946 CID, Bore 158.8mm / 6.250", Stroke 203.2mm / 8.000"			71
-----------	--	--	--	-----------

Cylinder Components

Cylinder Sleeve		8N9174	226-4505	12
Cylinder Sleeve (Bare)	Use With Part Number 223-7124	8N9174	226-4505X	12
Piston	10.0:1 CR, Natural Gas, No Heat Plug	3S1826	224-3231	12
Piston (Bare)	10.0:1 CR, Natural Gas, No Heat Plug, Use With Part Number 223-1832 And 223-5505	3S1826	224-3231X	12
Piston Pin		7N9810	223-1832	12
Lock Ring	2 Per Package	7M4926	223-5505	12
Sleeve O-Ring Kit	Contains OE#'s: 6L7815(3) And 8N4708	5P8970	223-7124	12

Bearings

Connecting Rod Bearing (Pair)		8N7769	CB-970AL•	12
		8N7770	CB-970AL-25	
Main Bearing Set	Requires Thrust Washer Set, Not Included	8N7764	MS-1059AL	1
Main Bearings (Single, Pair)		8N7764	MB-2597AL	7
Thrust Washer Set	2 Per Package	4L4653	TW-226S	1
Piston Pin Bushing	Straight Sided, 2.260" Length, Requires Boring	8N2275	223-3570	12

72	Engine Code: 'G379' 8 Cyl, 32.2L / 1964 CID, Bore 158.8mm / 6.250", Stroke 203.2mm / 8.000"; Sleeved Engine			72
-----------	---	--	--	-----------

Cylinder Components

Cylinder Sleeve		8N9174	226-4505	8
Cylinder Sleeve (Bare)	Use With Part Number 223-7124	8N9174	226-4505X	8
Piston	10.0:1 CR, Natural Gas, No Heat Plug	3S1826	224-3231	8



PART	NOTES	OE INTERCHANGE NUMBER	PART NUMBER	ORDER QTY
------	-------	-----------------------	-------------	-----------

72 (cont.)	Engine Code: 'G379' 8 Cyl, 32.2L / 1964 CID, Bore 158.8mm / 6.250", Stroke 203.2mm / 8.000"; Sleeved Engine			72 (cont.)
-----------------------------	---	--	--	-----------------------------

Cylinder Components

Piston (Bare)	10.0:1 CR, Natural Gas, No Heat Plug, Use With Part Number 223-1832 And 223-5505	3S1826	224-3231X	8
Piston Pin		7N9810	223-1832	8
Lock Ring	2 Per Package	7M4926	223-5505	8
Sleeve O-Ring Kit	Contains OE#s: 6L7815(3) And 8N4708	5P8970	223-7124	8

Bearings

Connecting Rod Bearing (Pair)		8N7769	CB-970AL•	8
		8N7770	CB-970AL-25	
Main Bearing Set	Requires Thrust Washer Set, Not Included	8N7764	MS-1058AL	1
Main Bearings (Single, Pair)		8N7764	MB-2597AL	5
Thrust Washer Set	2 Per Package	4L4653	TW-226S	1
Piston Pin Bushing	Straight Sided, 2.260" Length, Requires Boring	8N2275	223-3570	8

73	Engine Code: 'G353' 6 Cyl, 24.2L / 1473 CID, Bore 158.8mm / 6.250", Stroke 203.2mm / 8.000"			73
-----------	---	--	--	-----------

Cylinder Components

Cylinder Sleeve		8N9174	226-4505	6
Cylinder Sleeve (Bare)	Use With Part Number 223-7124	8N9174	226-4505X	6
Piston	10.0:1 CR, Natural Gas, No Heat Plug	3S1826	224-3231	6
Piston (Bare)	10.0:1 CR, Natural Gas, No Heat Plug, Use With Part Number 223-1832 And 223-5505	3S1826	224-3231X	6
Piston Pin		7N9810	223-1832	6
Lock Ring	2 Per Package	7M4926	223-5505	6
Sleeve O-Ring Kit	Contains OE#s: 6L7815(3) And 8N4708	5P8970	223-7124	6

Bearings

Connecting Rod Bearing (Pair)		1N4336	CB-778AL	6
		1N4337	CB-778AL-25	
Piston Pin Bushing	Straight Sided, 2.260" Length, Requires Boring	8N2275	223-3570	6

Valve Train & Ancillary

Valve (Exhaust)	2.350" Head Diameter, .4955" Stem Diameter, Stellite Face, Tapered Groove	8N3723	211-3324	6
-----------------	---	--------	----------	---

74	Engine Code: 'G3508' 8 Cyl, 34.7L / 2115 CID, Bore 170.2mm / 6.700", Stroke 190.5mm / 7.500"			74
-----------	--	--	--	-----------

Cylinder Components

Cylinder Sleeve Assembly	8.0:1 CR, With 1014140 Piston, Includes Wide Flange Liner, Spark Ignited, Contains Ring Set S42074, 0R4449 Identifies Piston Pack	0R4449	226-1976	8
--------------------------	---	--------	----------	---



PART	NOTES	OE INTERCHANGE NUMBER	PART NUMBER	ORDER QTY
------	-------	-----------------------	-------------	-----------

74 (cont.)	Engine Code: 'G3508' 8 Cyl, 34.7L / 2115 CID, Bore 170.2mm / 6.700", Stroke 190.5mm / 7.500"			74 (cont.)
-----------------------------	--	--	--	-----------------------------

Cylinder Components

Cylinder Sleeve Assembly	11.0:1 CR, With 6I4609 Piston, Spark Ignited, Includes Wide Flange Liner, Contains Ring Set S42074, 0R4451 Identifies Piston Pack	0R4451	226-1977	8
Cylinder Sleeve	8.148" Narrow Flange OD	1238206	226-4542	8
		2117826	226-4557	8
Cylinder Sleeve (Bare)	8.148" Narrow Flange OD, Use With Part Number 223-7192	1238206	226-4542X	8
	8.330" Wide Flange OD, Use With Part Number 223-7192	2117826	226-4557X	8
Piston	Spark Ignited, Use With Wide Flange Liner, 8.0:1 CR	1014140	224-3392	8
	11.0:1 CR, Spark Ignited, Use With Wide Flange Liner	6I4609	224-3393	8
Piston (Bare)	Spark Ignited, Use With Wide Flange Liner, Contained Within 226-1976, Use With Part Number 223-1840 And 223-5508, 8.0:1 CR	1014140	224-3392X	8
	11.0:1 CR, Spark Ignited, Use With Wide Flange Liner, Contained Within 226-1977, Use With Part Number 223-1840 And 223-5508	6I4609	224-3393X	8
Ring Set	Contains OE#'s: Top 7E7581, Intermediate 8N1234, And Oil 7W2221	7E2899	S42074	8
Piston Pin	2.754" Diameter, 5.417" Length	1388506	223-1840	8
Lock Ring	2 Per Package	8N7296	223-5508	8
Sleeve O-Ring Kit	Contains OE#'s: 7N2046(3) And 8N4707	6V3774	223-7192	8

Bearings

Connecting Rod Bearing (Pair)		1077330	CB-1621P	8
Main Bearings (Single, Pair)		1496031	MB-3466P	5

75	Engine Code: 'G3512' 12 Cyl, 52.0L / 3173 CID, Bore 170.2mm / 6.700", Stroke 190.5mm / 7.500"			75
-----------	---	--	--	-----------

Cylinder Components

Cylinder Sleeve Assembly	8.0:1 CR, With 1014140 Piston, Includes Wide Flange Liner, Spark Ignited, Contains Ring Set S42074, 0R4449 Identifies Piston Pack	0R4449	226-1976	12
	11.0:1 CR, With 6I4609 Piston, Spark Ignited, Includes Wide Flange Liner, Contains Ring Set S42074, 0R4451 Identifies Piston Pack	0R4451	226-1977	12
Cylinder Sleeve	8.148" Narrow Flange OD	1238206	226-4542	12
		2117826	226-4557	12
Cylinder Sleeve (Bare)	8.148" Narrow Flange OD, Use With Part Number 223-7192	1238206	226-4542X	12
	8.330" Wide Flange OD, Use With Part Number 223-7192	2117826	226-4557X	12
Piston	Spark Ignited, Use With Wide Flange Liner, 8.0:1 CR	1014140	224-3392	12
	11.0:1 CR, Spark Ignited, Use With Wide Flange Liner	6I4609	224-3393	12



PART	NOTES	OE INTERCHANGE NUMBER	PART NUMBER	ORDER QTY
------	-------	-----------------------	-------------	-----------

75 (cont.)	Engine Code: 'G3512' 12 Cyl, 52.0L / 3173 CID, Bore 170.2mm / 6.700", Stroke 190.5mm / 7.500"	75 (cont.)		
-----------------------	---	-----------------------	--	--

Cylinder Components

Piston (Bare)	Spark Ignited, Use With Wide Flange Liner, Contained Within 226-1976, Use With Part Number 223-1840 And 223-5508, 8.0:1 CR	1014140	224-3392X	12
	11.0:1 CR, Spark Ignited, Use With Wide Flange Liner, Contained Within 226-1977, Use With Part Number 223-1840 And 223-5508	6I4609	224-3393X	12
Ring Set	Contains OE#s: Top 7E7581, Intermediate 8N1234, And Oil 7W2221	7E2899	S42074	12
Piston Pin	2.754" Diameter, 5.417" Length	1388506	223-1840	12
Lock Ring	2 Per Package	8N7296	223-5508	12
Sleeve O-Ring Kit	Contains OE#s: 7N2046(3) And 8N4707	6V3774	223-7192	12

Bearings

Connecting Rod Bearing (Pair)		1077330	CB-1621P	12
Main Bearings (Single, Pair)		1496031	MB-3466P	7

76	Engine Code: 'G3516' 16 Cyl, 69.0L / 4210 CID, Bore 170.2mm / 6.700", Stroke 190.5mm / 7.500"	76		
-----------	---	-----------	--	--

Cylinder Components

Cylinder Sleeve Assembly	8.0:1 CR, With 1014140 Piston, Includes Wide Flange Liner, Spark Ignited, Contains Ring Set S42074, 0R4449 Identifies Piston Pack	0R4449	226-1976	16
	11.0:1 CR, With 6I4609 Piston, Spark Ignited, Includes Wide Flange Liner, Contains Ring Set S42074, 0R4451 Identifies Piston Pack	0R4451	226-1977	16
Cylinder Sleeve	8.148" Narrow Flange OD	1238206	226-4542	16
		2117826	226-4557	16
Cylinder Sleeve (Bare)	8.148" Narrow Flange OD, Use With Part Number 223-7192	1238206	226-4542X	16
	8.330" Wide Flange OD, Use With Part Number 223-7192	2117826	226-4557X	16
Piston	Spark Ignited, Use With Wide Flange Liner, 8.0:1 CR	1014140	224-3392	16
	11.0:1 CR, Spark Ignited, Use With Wide Flange Liner	6I4609	224-3393	16
Piston (Bare)	Spark Ignited, Use With Wide Flange Liner, Contained Within 226-1976, Use With Part Number 223-1840 And 223-5508, 8.0:1 CR	1014140	224-3392X	16
	11.0:1 CR, Spark Ignited, Use With Wide Flange Liner, Contained Within 226-1977, Use With Part Number 223-1840 And 223-5508	6I4609	224-3393X	16
Ring Set	Contains OE#s: Top 7E7581, Intermediate 8N1234, And Oil 7W2221	7E2899	S42074	16
Piston Pin	2.754" Diameter, 5.417" Length	1388506	223-1840	16
Lock Ring	2 Per Package	8N7296	223-5508	16
Sleeve O-Ring Kit	Contains OE#s: 7N2046(3) And 8N4707	6V3774	223-7192	16



PART	NOTES	OE INTERCHANGE NUMBER	PART NUMBER	ORDER QTY
------	-------	-----------------------	-------------	-----------

76 (cont.)	Engine Code: 'G3516' 16 Cyl, 69.0L / 4210 CID, Bore 170.2mm / 6.700", Stroke 190.5mm / 7.500"			76 (cont.)
-----------------------------	---	--	--	-----------------------------

Bearings

Connecting Rod Bearing (Pair)		1077330	CB-1621P	16
Main Bearings (Single, Pair)		1496031	MB-3466P	9

77	Engine Code: '3516' 16 Cyl, 69.0L / 4210 CID, Bore 170.2mm / 6.700", Stroke 190.5mm / 7.500"			77
-----------	--	--	--	-----------

Cylinder Components

Cylinder Sleeve Assembly	13.5:1 CR, With 9Y4124 Piston, Wide Flange Contains Late 8.330" Wide Flange Liner Contains Ring Set S41832, 0R4446 Identifies Piston Pack	0R4446	226-1978	16
Cylinder Sleeve	8.148" Narrow Flange OD	1238206	226-4542	16
Cylinder Sleeve (Bare)	8.148" Narrow Flange OD, Use With Part Number 223-7192	1238206	226-4542X	16
	8.330" Wide Flange OD, Use With Part Number 223-7192	2117826	226-4557X	16
Piston	13.0:1 CR	9Y4124	224-3394	16
Piston (Bare)	13.0:1 CR, Use With Wide Flange Liner, Contained Within 226-1978, Use With Part Number 223-1840 And 223-5508	9Y4124	224-3394X	16
Ring Set	Contains OE#'s: Top 8N1233, Intermediate 8N7810, And Oil 7W2221	1N3967	S41832	16
Piston Pin	2.754" Diameter, 5.417" Length	1388506	223-1840	16
Lock Ring	2 Per Package	8N7296	223-5508	16
Sleeve O-Ring Kit	Contains OE#'s: 7N2046(3) And 8N4707	6V3774	223-7192	16

Bearings

Connecting Rod Bearing (Pair)		1077330	CB-1621P	16
Main Bearings (Single, Pair)		1496031	MB-3466P	9
Thrust Washer (Individual)		7C6209	MB-3466W	2
Piston Pin Bushing		1181655	223-3710	16
Camshaft Bearing	Early Engines, 3.6200" OD	7N2048	SH-2169	1
	Late Engines, 3.8600" OD	1161359	SH-2177	1

78	Engine Code: '3512' 12 Cyl, 52.0L / 3173 CID, Bore 170.2mm / 6.700", Stroke 190.5mm / 7.500"			78
-----------	--	--	--	-----------

Cylinder Components

Cylinder Sleeve Assembly	8.0:1 CR, With 1014140 Piston, Includes Wide Flange Liner, Spark Ignited, Contains Ring Set S42074, 0R4449 Identifies Piston Pack	0R4449	226-1976	12
--------------------------	---	--------	----------	----



PART	NOTES	OE INTERCHANGE NUMBER	PART NUMBER	ORDER QTY
------	-------	-----------------------	-------------	-----------

78 (cont.)	Engine Code: '3512' 12 Cyl, 52.0L / 3173 CID, Bore 170.2mm / 6.700", Stroke 190.5mm / 7.500"			78 (cont.)
-----------------------	--	--	--	-----------------------

Cylinder Components

Cylinder Sleeve Assembly	11.0:1 CR, With 6I4609 Piston, Spark Ignited, Includes Wide Flange Liner, Contains Ring Set S42074, 0R4451 Identifies Piston Pack	0R4451	226-1977	12
	13.5:1 CR, With 9Y4124 Piston, Wide Flange Contains Late 8.330" Wide Flange Liner Contains Ring Set S41832, 0R4446 Identifies Piston Pack	0R4446	226-1978	12
Cylinder Sleeve	8.148" Narrow Flange OD	1238206	226-4542	12
Cylinder Sleeve (Bare)	8.148" Narrow Flange OD, Use With Part Number 223-7192	1238206	226-4542X	12
	8.330" Wide Flange OD, Use With Part Number 223-7192	2117826	226-4557X	12
Piston	Spark Ignited, Use With Wide Flange Liner, 8.0:1 CR	1014140	224-3392	12
	11.0:1 CR, Spark Ignited, Use With Wide Flange Liner	6I4609	224-3393	12
	13.0:1 CR	9Y4124	224-3394	12
Piston (Bare)	Spark Ignited, Use With Wide Flange Liner, Contained Within 226-1976, Use With Part Number 223-1840 And 223-5508, 8.0:1 CR	1014140	224-3392X	12
	11.0:1 CR, Spark Ignited, Use With Wide Flange Liner, Contained Within 226-1977, Use With Part Number 223-1840 And 223-5508	6I4609	224-3393X	12
	13.0:1 CR, Use With Wide Flange Liner, Contained Within 226-1978, Use With Part Number 223-1840 And 223-5508	9Y4124	224-3394X	12
Ring Set	Contains OE#s: Top 8N1233, Intermediate 8N7810, And Oil 7W2221	1N3967	S41832	12
Piston Pin	2.754" Diameter, 5.417" Length	1388506	223-1840	12
Lock Ring	2 Per Package	8N7296	223-5508	12
Sleeve O-Ring Kit	Contains OE#s: 7N2046(3) And 8N4707	6V3774	223-7192	12

Bearings

Connecting Rod Bearing (Pair)		1077330	CB-1621P	12
Main Bearings (Single, Pair)		1496031	MB-3466P	7
Thrust Washer (Individual)		7C6209	MB-3466W	2
Piston Pin Bushing		1181655	223-3710	12
Camshaft Bearing	Early Engines, 3.6200" OD	7N2048	SH-2169	1
	Late Engines, 3.8600" OD	1161359	SH-2177	1

Valve Train & Ancillary

Valve Seat Insert (Exhaust)	1.4375" ID, 1.687" OD, .3650" Depth	1527582	218-7805	24
------------------------------------	-------------------------------------	---------	-----------------	----



Sealing Products

PART	NOTES	OE INTERCHANGE NUMBER	PART NUMBER	ORDER QTY
------	-------	-----------------------	-------------	-----------

79	Engine Code: '3508' 8 Cyl, 34.7L / 2115 CID, Bore 170.2mm / 6.700", Stroke 190.5mm / 7.500"			79
-----------	---	--	--	-----------

Cylinder Components

Cylinder Sleeve Assembly	13.5:1 CR, With 9Y4124 Piston, Wide Flange Contains Late 8.330" Wide Flange Liner Contains Ring Set S41832, 0R4446 Identifies Piston Pack	0R4446	226-1978	8
Cylinder Sleeve	8.148" Narrow Flange OD	1238206	226-4542	8
Cylinder Sleeve (Bare)	8.148" Narrow Flange OD, Use With Part Number 223-7192	1238206	226-4542X	8
	8.330" Wide Flange OD, Use With Part Number 223-7192	2117826	226-4557X	8
Piston	13.0:1 CR	9Y4124	224-3394	8
Piston (Bare)	13.0:1 CR, Use With Wide Flange Liner, Contained Within 226-1978, Use With Part Number 223-1840 And 223-5508	9Y4124	224-3394X	8
Ring Set	Contains OE#s: Top 8N1233, Intermediate 8N7810, And Oil 7W2221	1N3967	S41832	8
Piston Pin	2.754" Diameter, 5.417" Length	1388506	223-1840	8
Lock Ring	2 Per Package	8N7296	223-5508	8
Sleeve O-Ring Kit	Contains OE#s: 7N2046(3) And 8N4707	6V3774	223-7192	8

Bearings

Connecting Rod Bearing (Pair)		1077330	CB-1621P	8
Main Bearings (Single, Pair)		1496031	MB-3466P	5
Thrust Washer (Individual)		7C6209	MB-3466W	2
Piston Pin Bushing		1181655	223-3710	8
Camshaft Bearing	Early Engines, 3.6200" OD	7N2048	SH-2169	1
	Late Engines, 3.8600" OD	1161359	SH-2177	1

Crankshaft

Crankshaft	Early, Counterweight Radius 221MM	1533928	247-5222	1
	Late, Counterweight Radius 225MM	1527625	247-5227	1



CATERPILLAR CYLINDER SLEEVE ASSEMBLY COMPONENT INTERCHANGES

MAHLE

Bore	Part No.	OE Interchange Number	Qty
4.500	226-1685		
Cylinder Sleeve (Bare):	226-4518X	8S2240	1
Piston (Bare):	224-3202X	2M5558	1
Piston Pin:	223-1829	7N9804	1
Lock Ring:	223-5503	9H4015	1
Ring Set:	S40574	9S8704	1

Bore	Part No.	OE Interchange Number	Qty
4.750	226-1695		
Cylinder Sleeve (Bare):	226-4493X	1105800 3715941	1
Sleeve O-Ring Kit:	223-7188	5P8768	1
Piston (Bare):	224-3034X	9N5250	1
Piston Pin:	223-1835	7N9805	1
Lock Ring:	223-5502	1S9543	1
Ring Set:	S40963	9S3068	1

Bore	Part No.	OE Interchange Number	Qty
4.750	226-1861		
Cylinder Sleeve (Bare):	226-4493X	1105800 3715941	1
Sleeve O-Ring Kit:	223-7188	5P8768	1
Piston (Bare):	224-3271X	4P2654	1
Piston Pin:	223-1829	7N9804	1
Lock Ring:	223-5503	9H4015	2
Ring Set:	S41841	4P2656 4P2657 4P2658	1

Bore	Part No.	OE Interchange Number	Qty
4.750	226-1882		
Cylinder Sleeve (Bare):	226-4493X	1105800 3715941	1
Sleeve O-Ring Kit:	223-7188	5P8768	1
Piston Pin:	223-1835	7N9805	1
Lock Ring:	223-5502	1S9543	1
Ring Set:	S41394	2W1709	1

Bore	Part No.	OE Interchange Number	Qty
4.750	226-1889		
Cylinder Sleeve (Bare):	226-4493X	1105800 3715941	1
Sleeve O-Ring Kit:	223-7188	5P8768	1
Piston (Bare):	224-3297X	1290358	1
Piston Pin:	223-1835	7N9805	1
Lock Ring:	223-5502	1S9543	1
Ring Set:	S41653	2W6091	1

Bore	Part No.	OE Interchange Number	Qty
4.750	226-1967		
Cylinder Sleeve (Bare):	226-4493X	1105800	1

Bore	Part No.	OE Interchange Number	Qty
		3715941	
Sleeve O-Ring Kit:	223-7188	5P8768	1
Piston (Bare):	224-3369X	8N3182	1
Piston Pin:	223-1829	7N9804	1
Lock Ring:	223-5503	9H4015	1
Ring Set:	S40963	9S3068	1

Bore	Part No.	OE Interchange Number	Qty
4.750	226-1968		
Cylinder Sleeve (Bare):	226-4493X	1105800 3715941	1
Sleeve O-Ring Kit:	223-7188	5P8768	1
Piston (Bare):	224-3368X	1654262	1
Piston Pin:	223-1835	7N9805	1
Lock Ring:	223-5502	1S9543	2
Ring Set:	S41942	2114321	1

Bore	Part No.	OE Interchange Number	Qty
4.750	226-1974		
Cylinder Sleeve (Bare):	226-4493X	1105800 3715941	1
Sleeve O-Ring Kit:	223-7188	5P8768	1
Piston (Bare):	224-3395X	1073565	1
Piston Pin:	223-1835	7N9805	1
Lock Ring:	223-5502	1S9543	2
Ring Set:	S42054	1006694 1006695 610497	1

Bore	Part No.	OE Interchange Number	Qty
4.750	226-1975		
Cylinder Sleeve (Bare):	226-4493X	1105800 3715941	1
Sleeve O-Ring Kit:	223-7188	5P8768	1
Piston (Bare):	224-3396X	1548087	1
Piston Pin:	223-1835	7N9805	1
Lock Ring:	223-5502	1S9543	2
Ring Set:	S41942	2114321	1

Bore	Part No.	OE Interchange Number	Qty
4.750	226-1988		
Cylinder Sleeve (Bare):	226-4493X	1105800 3715941	1
Sleeve O-Ring Kit:	223-7188	5P8768	1
Piston (Bare):	224-3586X	1684531	1
Piston Pin:	223-1835	7N9805	1
Lock Ring:	223-5502	1S9543	2
Ring Set:	S41942	2114321	1

MAHLE
ORIGINAL



VICTOR REINZ

Sealing Products

CATERPILLAR CYLINDER SLEEVE ASSEMBLY COMPONENT INTERCHANGES

MAHLE

Bore	Part No.	OE Interchange Number	Qty
4.750 226-2047			
Cylinder Sleeve (Bare):	226-4493X	1105800 3715941	1
Sleeve O-Ring Kit:	223-7188	5P8768	1
Piston (Bare):	224-3748X	1646560	1
Piston Pin:	223-1835	7N9805	1
Lock Ring:	223-5502	1S9543	2
Ring Set:	S42139	5S6750 6I0497 9S3029	1
5.400 226-1733			
Cylinder Sleeve (Bare):	226-4617X	1979322	1
Sleeve O-Ring Kit:	223-7195	1609874	1
Piston (Bare):	224-3245X	9Y7212	1
Piston Pin:	223-1830	8N1608	1
Lock Ring:	223-5507	7E5665	2
Ring Set:	S41890	1W8922	1
5.400 226-1734			
Cylinder Sleeve (Bare):	226-4617X	1979322	1
Sleeve O-Ring Kit:	223-7195	1609874	1
Piston (Bare):	224-3244X	2900017	1
Piston Pin:	223-1830	8N1608	1
Lock Ring:	223-5507	7E5665	1
Ring Set:	S41890	1W8922	1
5.400 226-1855			
Cylinder Sleeve (Bare):	226-4617X	1979322	1
Sleeve O-Ring Kit:	223-7195	1609874	1
Piston (Bare):	224-3023X	9Y9889	1
Piston Pin:	223-1830	8N1608	1
Lock Ring:	223-5507	7E5665	2
Ring Set:	S41890	1W8922	1
5.400 226-1898			
Cylinder Sleeve (Bare):	226-4506X	1979322	1
Sleeve O-Ring Kit:	223-7195	1609874	1
Piston (Bare):	224-3268X	9Y3116	1
Piston Pin:	223-1830	8N1608	1
Lock Ring:	223-5507	7E5665	2
Ring Set:	S41890	1W8922	1

Bore	Part No.	OE Interchange Number	Qty
5.400 226-1901			
Cylinder Sleeve (Bare):	226-4617X	1979322	1
Sleeve O-Ring Kit:	223-7195	1609874	1
Piston (Bare):	224-3028X	7E0539	1
Piston Pin:	223-1830	8N1608	1
Lock Ring:	223-5507	7E5665	2
Ring Set:	S41890	1W8922	1
5.400 226-1918			
Cylinder Sleeve (Bare):	226-4617X	1979322	1
Sleeve O-Ring Kit:	223-7195	1609874	1
Piston (Bare):	224-3291X	7E8700	1
Piston Pin:	223-1830	8N1608	1
Lock Ring:	223-5507	7E5665	1
Ring Set:	S41890	1W8922	1
5.400 226-1922			
Cylinder Sleeve (Bare):	226-4617X	1979322	1
Sleeve O-Ring Kit:	223-7195	1609874	1
Piston (Bare):	224-3298X	1010016	1
Piston Pin:	223-1846	1687246	1
Lock Ring:	223-5511	7E1177	1
Ring Set:	S41890	1W8922	1
5.400 226-1969			
Cylinder Sleeve (Bare):	226-4617X	1979322	1
Sleeve O-Ring Kit:	223-7195	1609874	1
Piston Crown:	224-3374X	1807352	1
Piston Skirt:	224-3347X	1326663	1
Piston Pin:	223-1846	1687246	1
Lock Ring:	223-5511	7E1177	1
Ring Set:	S41927	1765749 1777496 1899771	1
5.400 226-1970			
Cylinder Sleeve (Bare):	226-4506X	1979322	1
Sleeve O-Ring Kit:	223-7195	1609874	1
Piston Crown:	224-3375X	1352837	1
Piston Skirt:	224-3346X	1300241	1
Piston Pin:	223-1846	1687246	1
Lock Ring:	223-5511	7E1177	1
Ring Set:	S41890	1W8922	1

VICTOR REINZ®
Sealing Products



MAHLE®
ORIGINAL

CATERPILLAR CYLINDER SLEEVE ASSEMBLY COMPONENT INTERCHANGES

MAHLE

Bore	Part No.	OE Interchange Number	Qty
5.400 226-1971			
Cylinder Sleeve (Bare):	226-4506X	1979322	1
Sleeve O-Ring Kit:	223-7195	1609874	1
Piston Crown:	224-3376X	1495566	1
Piston Skirt:	224-3346X	1300241	1
Piston Pin:	223-1846	1687246	1
Lock Ring:	223-5511	7E1177	2
Ring Set:	S41890	1W8922	1

Bore	Part No.	OE Interchange Number	Qty
5.400 226-1972			
Cylinder Sleeve (Bare):	226-4506X	1979322	1
Sleeve O-Ring Kit:	223-7195	1609874	1
Piston Crown:	224-3377X	221-2305	1
Piston Skirt:	224-3347X	1326663	1
Piston Pin:	223-1846	1687246	1
Lock Ring:	223-5511	7E1177	2
Ring Set:	S41943	1343761 1765749 1899771	1

Bore	Part No.	OE Interchange Number	Qty
5.400 226-1973			
Cylinder Sleeve (Bare):	226-4506X	1979322	1
Sleeve O-Ring Kit:	223-7195	1609874	1
Piston Crown:	224-3378X	7C2888	1
Piston Skirt:	224-3346X	1300241	1
Piston Pin:	223-1846	1687246	1
Lock Ring:	223-5511	7E1177	1
Ring Set:	S41890	1W8922	1

Bore	Part No.	OE Interchange Number	Qty
5.400 226-1994			
Cylinder Sleeve (Bare):	226-4506X	1979322	1
Sleeve O-Ring Kit:	223-7195	1609874	1
Piston Skirt:	224-3347X	1326663	1
Piston Pin:	223-1846	1687246	1
Lock Ring:	223-5511	7E1177	2
Ring Set:	S41927	1765749 1777496 1899771	1

Bore	Part No.	OE Interchange Number	Qty
5.400 226-1995			
Cylinder Sleeve (Bare):	226-4506X	1979322	1
Sleeve O-Ring Kit:	223-7195	1609874	1
Piston Skirt:	224-3346X	1300241	1
Piston Pin:	223-1846	1687246	1
Lock Ring:	223-5511	7E1177	2
Ring Set:	S41890	1W8922	1

Bore	Part No.	OE Interchange Number	Qty
5.400 226-2020			
Cylinder Sleeve (Bare):	226-4506X	1979322	1
Sleeve O-Ring Kit:	223-7195	1609874	1
Piston (Bare):	224-3588X	7E3888	1
Piston Pin:	223-1830	8N1608	1
Lock Ring:	223-5507	7E5665	2
Ring Set:	S41908	7C8939 7W6952 9S2263	1

Bore	Part No.	OE Interchange Number	Qty
5.400 226-2038			
Cylinder Sleeve (Bare):	226-4617X	1979322	1
Sleeve O-Ring Kit:	223-7195	1609874	1
Piston (Bare):	224-3751X	1601131	1
Piston Pin:	223-1830	8N1608	1
Lock Ring:	223-5507	7E5665	2
Ring Set:	S41890	1W8922	1

Bore	Part No.	OE Interchange Number	Qty
5.400 226-2042			
Cylinder Sleeve (Bare):	226-4617X	1979322	1
Sleeve O-Ring Kit:	223-7195	1609874	1
Piston (Bare):	224-3764X	1723280	1
Piston Pin:	223-1830	8N1608	1
Lock Ring:	223-5507	7E5665	2
Ring Set:	S41890	1W8922	1

Bore	Part No.	OE Interchange Number	Qty
5.400 226-2048			
Cylinder Sleeve (Bare):	226-4617X	1979322	1
Sleeve O-Ring Kit:	223-7195	1609874	1
Piston Crown:	224-3635X	1917855	1
Piston Skirt:	224-3347X	1326663	1
Piston Pin:	223-1846	1687246	1
Lock Ring:	223-5511	7E1177	2
Ring Set:	S41927	1765749 1777496 1899771	1

MAHLE
ORIGINAL



VICTOR REINZ

Sealing Products

CATERPILLAR CYLINDER SLEEVE ASSEMBLY COMPONENT INTERCHANGES

MAHLE

Bore	Part No.	OE Interchange Number	Qty
5.400 226-2049			
Cylinder Sleeve (Bare):	226-4506X	1979322	1
Sleeve O-Ring Kit:	223-7195	1609874	1
Piston Crown:	224-3636X	2250115	1
Piston Skirt:	224-3347X	1326663	1
Piston Pin:	223-1846	1687246	1
Lock Ring:	223-5511	7E1177	2
Ring Set:	S42181	1765749 1899771 2257010	1

Bore	Part No.	OE Interchange Number	Qty
5.400 226-2054			
Cylinder Sleeve (Bare):	226-4617X	1979322	1
Sleeve O-Ring Kit:	223-7195	1609874	1
Piston (Bare):	224-3641X	3067460	1
Piston Pin:	223-1952	1807350	1 1
Lock Ring:	223-5531	2502940	2
Ring Set:	S42223	2370194 2380294 2384737	1

Bore	Part No.	OE Interchange Number	Qty
5.400 226-2057			
Cylinder Sleeve (Bare):	226-4617X	1979322	1
Sleeve O-Ring Kit:	223-7195	1609874	1
Piston (Bare):	224-3750X	1168154	1
Piston Pin:	223-1830	8N1608	1
Lock Ring:	223-5507	7E5665	2
Ring Set:	S41890	1W8922	1

Bore	Part No.	OE Interchange Number	Qty
5.750 226-1697			
Cylinder Sleeve (Bare):	226-4465X	8N5676	1
Sleeve O-Ring Kit:	223-7115	5P9221	1
Piston (Bare):	224-3189X	4M9111	1
Piston Pin:	223-1831	7N9809	1
Lock Ring:	223-5505	7M4926	1
Ring Set:	S41822	3S4031	1

Bore	Part No.	OE Interchange Number	Qty
5.750 226-1721			
Cylinder Sleeve (Bare):	226-4465X	8N5676	1
Sleeve O-Ring Kit:	223-7115	5P9221	1
Piston (Bare):	224-3185X	7N1366	1
Piston Pin:	223-1831	7N9809	1
Lock Ring:	223-5505	7M4926	1
Ring Set:	S41329	8N5760	1

Bore	Part No.	OE Interchange Number	Qty
6.250 226-1690			
Cylinder Sleeve (Bare):	226-4505X	8N9174	1
Sleeve O-Ring Kit:	223-7124	5P8970	1
Piston (Bare):	224-3022X	7N5036	1
Piston Pin:	223-1832	7N9810	1
Lock Ring:	223-5505	7M4926	1
Ring Set:	S41287	1N3601	1

Bore	Part No.	OE Interchange Number	Qty
6.250 226-1844			
Cylinder Sleeve (Bare):	226-4505X	8N9174	1
Sleeve O-Ring Kit:	223-7124	5P8970	1
Piston (Bare):	224-3026X	7N4515	1
Piston Pin:	223-1832	7N9810	1
Lock Ring:	223-5505	7M4926	2
Ring Set:	S40538	1W5105 1W6055	1

Bore	Part No.	OE Interchange Number	Qty
6.700 226-1976			
Cylinder Sleeve (Bare):	226-4557X	2117826	1
Sleeve O-Ring Kit:	223-7192	6V3774	1
Piston (Bare):	224-3392X	1014140	1
Piston Pin:	223-1840	1388506	1
Lock Ring:	223-5508	8N7296	2
Ring Set:	S42074	7E2899	1

Bore	Part No.	OE Interchange Number	Qty
6.700 226-1977			
Cylinder Sleeve (Bare):	226-4557X	2117826	1
Sleeve O-Ring Kit:	223-7192	6V3774	1
Piston (Bare):	224-3393X	6I4609	1
Piston Pin:	223-1840	1388506	1
Lock Ring:	223-5508	8N7296	2
Ring Set:	S42074	7E2899	1

Bore	Part No.	OE Interchange Number	Qty
6.700 226-1978			
Cylinder Sleeve (Bare):	226-4557X	2117826	1
Sleeve O-Ring Kit:	223-7192	6V3774	1
Piston (Bare):	224-3394X	9Y4124	1
Piston Pin:	223-1840	1388506	1
Lock Ring:	223-5508	8N7296	2
Ring Set:	S41832	1N3967	1

VICTOR REINZ®
Sealing Products



MAHLE®
ORIGINAL

PART NO	LINE #	PAGE	PART NO	LINE #	PAGE	PART NO	LINE #	PAGE	PART NO	LINE #	PAGE
CPL NO. 1			CPL NO. 12			CPL NO. 70			CPL NO. 120		
459-1010	8.1	190	459-1010	8.1	190	459-1010	8.1	190	459-1010	8.1	190
459-5010	8.1	190	459-5010	8.1	190	459-5010	8.1	190	459-5010	8.1	190
459-1183	8.2	190	459-1183	8.2	190	459-1183	8.2	190	459-1183	8.2	190
CPL NO. 2			CPL NO. 13			CPL NO. 71			CPL NO. 121		
459-1010	8.1	190	459-1010	8.1	190	459-1010	8.1	190	459-1042	8.71	208
459-5010	8.1	190	459-5010	8.1	190	459-5010	8.1	190	459-5042	8.71	208
459-1183	8.2	190	459-1183	8.2	190	459-1183	8.2	190	459-1117	8.72	208
CPL NO. 3			CPL NO. 17			CPL NO. 75			CPL NO. 123		
459-1010	8.1	190	459-1032	8.52	203	459-1010	8.1	190	459-1010	8.1	190
459-5010	8.1	190	459-5032	8.52	203	459-5010	8.1	190	459-5010	8.1	190
459-1183	8.2	190	459-1143	8.53	203	459-1183	8.2	190	459-1183	8.2	190
CPL NO. 4			CPL NO. 19			CPL NO. 76			CPL NO. 132		
459-1010	8.1	190	459-1010	8.1	190	459-1033	8.55	204	459-1010	8.1	190
459-5010	8.1	190	459-5010	8.1	190	459-5033	8.55	204	459-5010	8.1	190
459-1183	8.2	190	459-1183	8.2	190	459-1146	8.56	204	459-1183	8.2	190
CPL NO. 5			CPL NO. 20			CPL NO. 77			CPL NO. 135		
459-1010	8.1	190	459-1010	8.1	190	459-1010	8.1	190	459-1033	8.55	204
459-5010	8.1	190	459-5010	8.1	190	459-5010	8.1	190	459-5033	8.55	204
459-1183	8.2	190	459-1183	8.2	190	459-1183	8.2	190	459-1146	8.56	204
CPL NO. 6			CPL NO. 21			CPL NO. 85			CPL NO. 144		
459-1010	8.1	190	459-1010	8.1	190	459-1010	8.1	190	459-1010	8.1	190
459-5010	8.1	190	459-5010	8.1	190	459-5010	8.1	190	459-5010	8.1	190
459-1183	8.2	190	459-1183	8.2	190	459-1183	8.2	190	459-1183	8.2	190
CPL NO. 7			CPL NO. 22			CPL NO. 101			CPL NO. 146		
459-1010	8.1	190	459-1010	8.1	190	459-1010	8.1	190	459-1010	8.1	190
459-5010	8.1	190	459-5010	8.1	190	459-5010	8.1	190	459-5010	8.1	190
459-1183	8.2	190	459-1183	8.2	190	459-1183	8.2	190	459-1183	8.2	190
CPL NO. 8			CPL NO. 23			CPL NO. 107			CPL NO. 147		
459-1010	8.1	190	459-1033	8.55	204	459-1033	8.55	204	459-1010	8.1	190
459-5010	8.1	190	459-5033	8.55	204	459-5033	8.55	204	459-5010	8.1	190
459-1183	8.2	190	459-1146	8.56	204	459-1146	8.56	204	459-1183	8.2	190
CPL NO. 9			CPL NO. 25			CPL NO. 108			CPL NO. 152		
459-1010	8.1	190	459-1010	8.1	190	459-1010	8.1	190	409-1030	1.9	176
459-5010	8.1	190	459-5010	8.1	190	459-5010	8.1	190	409-5030	1.9	176
459-1183	8.2	190	459-1183	8.2	190	459-1183	8.2	190	409-1031	2.5	179
CPL NO. 10			CPL NO. 26			CPL NO. 109			CPL NO. 154		
459-1010	8.1	190	459-1032	8.52	203	459-1010	8.1	190	409-5031	2.5	179
459-5010	8.1	190	459-5032	8.52	203	459-5010	8.1	190	459-1010	8.1	190
459-1183	8.2	190	459-1143	8.53	203	459-1183	8.2	190	459-5010	8.1	190
CPL NO. 11			CPL NO. 69			CPL NO. 113			CPL NO. 154		
459-1010	8.1	190	459-1010	8.1	190	459-1014	8.9	192	459-1010	8.1	190
459-5010	8.1	190	459-5010	8.1	190	459-5014	8.9	192	459-5010	8.1	190
459-1183	8.2	190	459-1183	8.2	190	459-1071	8.10	192	459-1183	8.2	190

PART NO	LINE #	PAGE
CPL NO. 155		
459-1010	8.1	190
459-5010	8.1	190
459-1183	8.2	190
CPL NO. 156		
459-1010	8.1	190
459-5010	8.1	190
459-1183	8.2	190
CPL NO. 160		
459-1010	8.1	190
459-5010	8.1	190
459-1183	8.2	190
CPL NO. 162		
459-1033	8.55	204
459-5033	8.55	204
459-1146	8.56	204
CPL NO. 163		
459-1033	8.55	204
459-5033	8.55	204
459-1146	8.56	204
CPL NO. 164		
459-1032	8.52	203
459-5032	8.52	203
459-1143	8.53	203
CPL NO. 166		
459-1010	8.1	190
459-5010	8.1	190
459-1183	8.2	190
CPL NO. 168		
459-1010	8.1	190
459-5010	8.1	190
459-1183	8.2	190
CPL NO. 170		
459-1032	8.52	203
459-5032	8.52	203
459-1143	8.53	203
CPL NO. 172		
459-1032	8.52	203
459-5032	8.52	203
459-1143	8.53	203
CPL NO. 174		
459-1010	8.1	190
459-5010	8.1	190
459-1183	8.2	190

PART NO	LINE #	PAGE
CPL NO. 175		
459-1014	8.9	192
459-5014	8.9	192
459-1071	8.10	192
CPL NO. 176		
459-1014	8.9	192
459-5014	8.9	192
459-1071	8.10	192
CPL NO. 178		
459-1014	8.9	192
459-5014	8.9	192
459-1071	8.10	192
CPL NO. 180		
459-1010	8.1	190
459-5010	8.1	190
459-1183	8.2	190
CPL NO. 181		
459-1014	8.9	192
459-5014	8.9	192
459-1071	8.10	192
CPL NO. 182		
459-1010	8.1	190
459-5010	8.1	190
459-1183	8.2	190
CPL NO. 187		
459-1010	8.1	190
459-5010	8.1	190
459-1183	8.2	190
CPL NO. 188		
459-1014	8.9	192
459-5014	8.9	192
459-1071	8.10	192
CPL NO. 189		
459-1014	8.9	192
459-5014	8.9	192
459-1071	8.10	192
CPL NO. 190		
459-1010	8.1	190
459-5010	8.1	190
459-1183	8.2	190
CPL NO. 196		
459-1010	8.1	190
459-5010	8.1	190
459-1183	8.2	190

PART NO	LINE #	PAGE
CPL NO. 197		
459-1010	8.1	190
459-5010	8.1	190
459-1183	8.2	190
CPL NO. 198		
459-1010	8.1	190
459-5010	8.1	190
459-1183	8.2	190
CPL NO. 199		
459-1014	8.9	192
459-5014	8.9	192
459-1071	8.10	192
CPL NO. 200		
459-1032	8.52	203
459-5032	8.52	203
459-1143	8.53	203
CPL NO. 201		
459-1010	8.1	190
459-5010	8.1	190
459-1183	8.2	190
CPL NO. 202		
459-1033	8.55	204
459-5033	8.55	204
459-1146	8.56	204
CPL NO. 204		
459-1010	8.1	190
459-5010	8.1	190
459-1183	8.2	190
CPL NO. 205		
459-1033	8.55	204
459-5033	8.55	204
459-1146	8.56	204
CPL NO. 207		
459-1014	8.9	192
459-5014	8.9	192
459-1071	8.10	192
CPL NO. 214		
459-1032	8.52	203
459-5032	8.52	203
459-1143	8.53	203
CPL NO. 215		
459-1010	8.1	190
459-5010	8.1	190
459-1183	8.2	190

PART NO	LINE #	PAGE
CPL NO. 217		
459-1014	8.9	192
459-5014	8.9	192
459-1071	8.10	192
CPL NO. 221		
459-1014	8.9	192
459-5014	8.9	192
459-1071	8.10	192
CPL NO. 222		
459-1014	8.9	192
459-5014	8.9	192
459-1071	8.10	192
CPL NO. 226		
459-1010	8.1	190
459-5010	8.1	190
459-1183	8.2	190
CPL NO. 227		
459-1010	8.1	190
459-5010	8.1	190
459-1183	8.2	190
CPL NO. 233		
459-1014	8.9	192
459-5014	8.9	192
459-1071	8.10	192
CPL NO. 246		
459-1010	8.1	190
459-5010	8.1	190
459-1183	8.2	190
CPL NO. 248		
459-1010	8.1	190
459-5010	8.1	190
459-1183	8.2	190
CPL NO. 249		
459-1014	8.9	192
459-5014	8.9	192
459-1071	8.10	192
CPL NO. 250		
459-1017	8.21	195
459-5017	8.21	195
459-1080	8.22	195
CPL NO. 254		
459-1017	8.21	195
459-5017	8.21	195
459-1080	8.22	195



PART NO	LINE #	PAGE	PART NO	LINE #	PAGE	PART NO	LINE #	PAGE	PART NO	LINE #	PAGE
CPL NO. 255			CPL NO. 272			CPL NO. 307			CPL NO. 317		
409-1030	1.9	176	459-1146	8.56	204	459-5010	8.1	190	459-1010	8.1	190
409-5030	1.9	176	CPL NO. 276			459-1183	8.2	190	459-5010	8.1	190
409-1031	2.5	179	459-1010	8.1	190	CPL NO. 308			459-1183	8.2	190
409-5031	2.5	179	459-5010	8.1	190	459-1010	8.1	190	CPL NO. 318		
459-1032	8.52	203	459-1183	8.2	190	459-5010	8.1	190	459-1010	8.1	190
459-5032	8.52	203	CPL NO. 277			459-1183	8.2	190	459-5010	8.1	190
459-1143	8.53	203	459-1017	8.21	195	CPL NO. 309			459-1183	8.2	190
CPL NO. 256			459-5017	8.21	195	459-1020	8.31	198	CPL NO. 319		
459-1010	8.1	190	459-1080	8.22	195	459-5020	8.31	198	459-1033	8.55	204
459-5010	8.1	190	CPL NO. 278			459-1088	8.32	198	459-5033	8.55	204
459-1183	8.2	190	459-1010	8.1	190	CPL NO. 310			459-1146	8.56	204
CPL NO. 258			459-5010	8.1	190	459-1010	8.1	190	CPL NO. 320		
459-1032	8.52	203	459-1183	8.2	190	459-5010	8.1	190	459-1017	8.21	195
459-5032	8.52	203	CPL NO. 281			459-1183	8.2	190	459-5017	8.21	195
459-1143	8.53	203	459-1010	8.1	190	CPL NO. 312			459-1080	8.22	195
CPL NO. 259			459-5010	8.1	190	459-1032	8.52	203	CPL NO. 322		
459-1033	8.55	204	459-1183	8.2	190	459-5032	8.52	203	459-1014	8.9	192
459-5033	8.55	204	CPL NO. 288			459-1143	8.53	203	459-5014	8.9	192
459-1146	8.56	204	459-1010	8.1	190	CPL NO. 314			459-1071	8.10	192
CPL NO. 260			459-5010	8.1	190	459-1010	8.1	190	CPL NO. 323		
459-1010	8.1	190	459-1183	8.2	190	459-5010	8.1	190	459-1014	8.9	192
459-5010	8.1	190	CPL NO. 294			459-1183	8.2	190	459-5014	8.9	192
459-1183	8.2	190	459-1017	8.21	195	CPL NO. 315			459-1071	8.10	192
CPL NO. 266			459-5017	8.21	195	409-1030	1.9	176	CPL NO. 324		
459-1017	8.21	195	459-1080	8.22	195	409-5030	1.9	176	459-1010	8.1	190
459-5017	8.21	195	CPL NO. 298			409-1031	2.5	179	459-5010	8.1	190
459-1080	8.22	195	459-1017	8.21	195	409-5031	2.5	179	459-1183	8.2	190
CPL NO. 267			459-5017	8.21	195	459-1017	8.21	195	CPL NO. 325		
459-1010	8.1	190	459-1080	8.22	195	459-5017	8.21	195	459-1010	8.1	190
459-5010	8.1	190	CPL NO. 299			459-1080	8.22	195	459-5010	8.1	190
459-1183	8.2	190	459-1010	8.1	190	CPL NO. 316			459-1183	8.2	190
CPL NO. 270			459-5010	8.1	190	409-1030	1.9	176	CPL NO. 326		
409-1030	1.9	176	459-1183	8.2	190	409-5030	1.9	176	459-1010	8.1	190
409-5030	1.9	176	CPL NO. 300			409-1031	2.5	179	459-5010	8.1	190
409-1031	2.5	179	459-1010	8.1	190	409-5031	2.5	179	459-1183	8.2	190
409-5031	2.5	179	459-5010	8.1	190	459-1033	8.55	204	CPL NO. 327		
CPL NO. 271			459-1183	8.2	190	459-5033	8.55	204	459-1010	8.1	190
459-1032	8.52	203	CPL NO. 306			459-1146	8.56	204	459-5010	8.1	190
459-5032	8.52	203	459-1017	8.21	195	CPL NO. 317			459-1183	8.2	190
459-1143	8.53	203	459-5017	8.21	195	409-1030	1.9	176	CPL NO. 328		
CPL NO. 272			459-1080	8.22	195	409-5030	1.9	176	459-1010	8.1	190
459-1033	8.55	204	CPL NO. 307			409-1031	2.5	179	459-5010	8.1	190
459-5033	8.55	204	459-1010	8.1	190	409-5031	2.5	179	459-1183	8.2	190

PART NO	LINE #	PAGE
CPL NO. 329		
459-1010	8.1	190
459-5010	8.1	190
459-1183	8.2	190
CPL NO. 331		
459-1010	8.1	190
459-5010	8.1	190
459-1183	8.2	190
CPL NO. 332		
459-1010	8.1	190
459-5010	8.1	190
459-1183	8.2	190
CPL NO. 338		
459-1017	8.21	195
459-5017	8.21	195
459-1080	8.22	195
CPL NO. 339		
459-1010	8.1	190
459-5010	8.1	190
459-1183	8.2	190
CPL NO. 344		
459-1014	8.9	192
459-5014	8.9	192
459-1071	8.10	192
CPL NO. 345		
459-1014	8.9	192
459-5014	8.9	192
459-1071	8.10	192
CPL NO. 346		
459-1010	8.1	190
459-5010	8.1	190
459-1183	8.2	190
CPL NO. 348		
459-1010	8.1	190
459-5010	8.1	190
459-1183	8.2	190
CPL NO. 349		
459-1010	8.1	190
459-5010	8.1	190
459-1183	8.2	190
CPL NO. 353		
459-1017	8.21	195
459-5017	8.21	195
459-1080	8.22	195

PART NO	LINE #	PAGE
CPL NO. 354		
459-1017	8.21	195
459-5017	8.21	195
459-1080	8.22	195
CPL NO. 356		
459-1017	8.21	195
459-5017	8.21	195
459-1080	8.22	195
CPL NO. 357		
459-1017	8.21	195
459-5017	8.21	195
459-1080	8.22	195
CPL NO. 359		
459-1017	8.21	195
459-5017	8.21	195
459-1080	8.22	195
CPL NO. 360		
459-1010	8.1	190
459-5010	8.1	190
459-1183	8.2	190
CPL NO. 361		
459-1010	8.1	190
459-5010	8.1	190
459-1183	8.2	190
CPL NO. 362		
459-1010	8.1	190
459-5010	8.1	190
459-1183	8.2	190
CPL NO. 363		
459-1010	8.1	190
459-5010	8.1	190
459-1183	8.2	190
CPL NO. 364		
459-1010	8.1	190
459-5010	8.1	190
459-1183	8.2	190
CPL NO. 365		
459-1010	8.1	190
459-5010	8.1	190
459-1183	8.2	190
CPL NO. 366		
459-1010	8.1	190
459-5010	8.1	190
459-1183	8.2	190

PART NO	LINE #	PAGE
CPL NO. 369		
459-1010	8.1	190
459-5010	8.1	190
459-1183	8.2	190
CPL NO. 370		
459-1010	8.1	190
459-5010	8.1	190
459-1183	8.2	190
CPL NO. 371		
459-1014	8.9	192
459-5014	8.9	192
459-1071	8.10	192
CPL NO. 372		
459-1014	8.9	192
459-5014	8.9	192
459-1071	8.10	192
CPL NO. 373		
459-1014	8.9	192
459-5014	8.9	192
459-1071	8.10	192
CPL NO. 374		
459-1014	8.9	192
459-5014	8.9	192
459-1071	8.10	192
CPL NO. 375		
459-1010	8.1	190
459-5010	8.1	190
459-1183	8.2	190
CPL NO. 376		
459-1010	8.1	190
459-5010	8.1	190
459-1183	8.2	190
CPL NO. 377		
459-1017	8.21	195
459-5017	8.21	195
459-1080	8.22	195
CPL NO. 380		
459-1017	8.21	195
459-5017	8.21	195
459-1080	8.22	195
CPL NO. 381		
459-1017	8.21	195
459-5017	8.21	195
459-1080	8.22	195

PART NO	LINE #	PAGE
CPL NO. 382		
459-1010	8.1	190
459-5010	8.1	190
459-1183	8.2	190
CPL NO. 384		
459-1010	8.1	190
459-5010	8.1	190
459-1183	8.2	190
CPL NO. 391		
459-1010	8.1	190
459-5010	8.1	190
459-1183	8.2	190
CPL NO. 392		
459-1010	8.1	190
459-5010	8.1	190
459-1183	8.2	190
CPL NO. 393		
459-1010	8.1	190
459-5010	8.1	190
459-1183	8.2	190
CPL NO. 394		
459-1010	8.1	190
459-5010	8.1	190
459-1183	8.2	190
CPL NO. 395		
459-1010	8.1	190
459-5010	8.1	190
459-1183	8.2	190
CPL NO. 396		
459-1017	8.21	195
459-5017	8.21	195
459-1080	8.22	195
CPL NO. 397		
459-1017	8.21	195
459-5017	8.21	195
459-1080	8.22	195
CPL NO. 402		
459-1017	8.21	195
459-5017	8.21	195
459-1080	8.22	195
CPL NO. 413		
459-1032	8.52	203
459-5032	8.52	203
459-1143	8.53	203

PART NO	LINE #	PAGE	PART NO	LINE #	PAGE	PART NO	LINE #	PAGE	PART NO	LINE #	PAGE
CPL NO. 414			CPL NO. 443			CPL NO. 461			CPL NO. 481		
459-1017	8.21	195	409-1031	2.5	179	459-1017	8.21	195	459-1023	8.43	201
459-5017	8.21	195	409-5031	2.5	179	459-5017	8.21	195	459-5023	8.43	201
459-1080	8.22	195	CPL NO. 448			459-1080	8.22	195	459-1103	8.44	201
CPL NO. 416			459-1032	8.52	203	CPL NO. 462			CPL NO. 482		
459-1033	8.55	204	459-5032	8.52	203	459-1010	8.1	190	459-1023	8.43	201
459-5033	8.55	204	459-1143	8.53	203	459-5010	8.1	190	459-5023	8.43	201
459-1146	8.56	204	CPL NO. 449			459-1183	8.2	190	459-1103	8.44	201
CPL NO. 419			459-1023	8.43	201	CPL NO. 463			CPL NO. 483		
459-1010	8.1	190	459-5023	8.43	201	459-1010	8.1	190	459-1010	8.1	190
459-5010	8.1	190	459-1103	8.44	201	459-5010	8.1	190	459-5010	8.1	190
459-1183	8.2	190	CPL NO. 450			459-1183	8.2	190	459-1183	8.2	190
CPL NO. 430			459-1010	8.1	190	CPL NO. 469			CPL NO. 485		
409-1030	1.9	176	459-5010	8.1	190	459-1010	8.1	190	459-1017	8.21	195
409-5030	1.9	176	459-1183	8.2	190	459-5010	8.1	190	459-5017	8.21	195
409-1031	2.5	179	CPL NO. 454			459-1183	8.2	190	459-1080	8.22	195
409-5031	2.5	179	459-1010	8.1	190	CPL NO. 470			CPL NO. 491		
CPL NO. 431			459-5010	8.1	190	459-1010	8.1	190	459-1017	8.21	195
459-1010	8.1	190	459-1183	8.2	190	459-5010	8.1	190	459-5017	8.21	195
459-5010	8.1	190	CPL NO. 455			459-1183	8.2	190	459-1080	8.22	195
459-1183	8.2	190	459-1010	8.1	190	CPL NO. 471			CPL NO. 492		
CPL NO. 432			459-5010	8.1	190	459-1042	8.71	208	459-1017	8.21	195
459-1017	8.21	195	459-1183	8.2	190	459-5042	8.71	208	459-5017	8.21	195
459-5017	8.21	195	CPL NO. 456			459-1117	8.72	208	459-1080	8.22	195
459-1080	8.22	195	459-1017	8.21	195	CPL NO. 472			CPL NO. 494		
CPL NO. 433			459-5017	8.21	195	459-1017	8.21	195	459-1017	8.21	195
459-1017	8.21	195	459-1080	8.22	195	459-5017	8.21	195	459-5017	8.21	195
459-5017	8.21	195	CPL NO. 457			459-1080	8.22	195	459-1080	8.22	195
459-1080	8.22	195	459-1010	8.1	190	CPL NO. 473			CPL NO. 495		
CPL NO. 435			459-5010	8.1	190	409-1030	1.9	176	459-1010	8.1	190
459-1010	8.1	190	459-1183	8.2	190	409-5030	1.9	176	459-5010	8.1	190
459-5010	8.1	190	CPL NO. 458			409-1031	2.5	179	459-1183	8.2	190
459-1183	8.2	190	459-1010	8.1	190	409-5031	2.5	179	CPL NO. 498		
CPL NO. 436			459-5010	8.1	190	459-1017	8.21	195	459-1032	8.52	203
459-1010	8.1	190	459-1183	8.2	190	459-5017	8.21	195	459-5032	8.52	203
459-5010	8.1	190	CPL NO. 459			459-1080	8.22	195	459-1143	8.53	203
459-1183	8.2	190	459-1017	8.21	195	CPL NO. 479			CPL NO. 499		
CPL NO. 437			459-5017	8.21	195	409-1030	1.9	176	409-1030	1.9	176
459-1032	8.52	203	459-1080	8.22	195	409-5030	1.9	176	409-5030	1.9	176
459-5032	8.52	203	CPL NO. 460			409-1031	2.5	179	409-1031	2.5	179
459-1143	8.53	203	459-1017	8.21	195	409-5031	2.5	179	409-5031	2.5	179
CPL NO. 443			459-5017	8.21	195	459-1017	8.21	195	459-1017	8.21	195
409-1030	1.9	176	459-1080	8.22	195	459-5017	8.21	195	459-5017	8.21	195
409-5030	1.9	176	CPL NO. 461			459-1080	8.22	195	459-1080	8.22	195

PART NO	LINE #	PAGE	PART NO	LINE #	PAGE	PART NO	LINE #	PAGE	PART NO	LINE #	PAGE
CPL NO. 500			CPL NO. 528			CPL NO. 536			CPL NO. 552		
459-1023	8.43	201	459-1431	5.7	185	459-1080	8.22	195	459-5010	8.1	190
459-5023	8.43	201	459-5431	5.7	185	CPL NO. 537			459-1183	8.2	190
459-1103	8.44	201	459-1432	5.8	186	459-1032	8.52	203	CPL NO. 553		
CPL NO. 506			459-5432	5.8	186	459-5032	8.52	203	459-1010	8.1	190
459-1042	8.71	208	459-1433	5.9	186	459-1143	8.53	203	459-5010	8.1	190
459-5042	8.71	208	459-5433	5.9	186	CPL NO. 538			459-1183	8.2	190
459-1117	8.72	208	CPL NO. 529			459-1017	8.21	195	CPL NO. 554		
CPL NO. 509			459-1042	8.71	208	459-5017	8.21	195	459-1023	8.43	201
459-1010	8.1	190	459-5042	8.71	208	459-1080	8.22	195	459-5023	8.43	201
459-5010	8.1	190	459-1117	8.72	208	CPL NO. 539			459-1103	8.44	201
459-1183	8.2	190	CPL NO. 530			459-1010	8.1	190	CPL NO. 558		
CPL NO. 510			459-1010	8.1	190	459-5010	8.1	190	459-1032	8.52	203
459-1023	8.43	201	459-5010	8.1	190	459-1183	8.2	190	459-5032	8.52	203
459-5023	8.43	201	459-1183	8.2	190	CPL NO. 540			459-1143	8.53	203
459-1103	8.44	201	CPL NO. 531			459-1010	8.1	190	CPL NO. 561		
CPL NO. 511			459-1052	8.90	212	459-5010	8.1	190	459-5414	5.1	184
459-1010	8.1	190	459-5052	8.90	212	459-1183	8.2	190	459-5415	5.2	184
459-5010	8.1	190	459-1132	8.91	213	CPL NO. 541			459-1416	5.3	184
459-1183	8.2	190	CPL NO. 534			459-1010	8.1	190	459-5416	5.3	184
CPL NO. 516			459-5414	5.1	184	459-5010	8.1	190	459-1431	5.7	185
459-1010	8.1	190	459-5415	5.2	184	459-1183	8.2	190	459-5431	5.7	185
459-5010	8.1	190	459-1416	5.3	184	CPL NO. 542			459-1432	5.8	186
459-1183	8.2	190	459-5416	5.3	184	459-1033	8.55	204	459-5432	5.8	186
CPL NO. 517			459-1431	5.7	185	459-5033	8.55	204	459-1433	5.9	186
459-1017	8.21	195	459-5431	5.7	185	459-1146	8.56	204	459-5433	5.9	186
459-5017	8.21	195	459-1432	5.8	186	CPL NO. 543			CPL NO. 562		
459-1080	8.22	195	459-5432	5.8	186	459-1010	8.1	190	459-5414	5.1	184
CPL NO. 527			459-1433	5.9	186	459-5010	8.1	190	459-5415	5.2	184
459-5414	5.1	184	459-5433	5.9	186	459-1183	8.2	190	459-1416	5.3	184
459-5415	5.2	184	CPL NO. 535			CPL NO. 544			459-5416	5.3	184
459-1416	5.3	184	459-5414	5.1	184	459-1032	8.52	203	459-1431	5.7	185
459-5416	5.3	184	459-5415	5.2	184	459-5032	8.52	203	459-5431	5.7	185
459-1431	5.7	185	459-1416	5.3	184	459-1143	8.53	203	459-1432	5.8	186
459-5431	5.7	185	459-5416	5.3	184	CPL NO. 545			459-5432	5.8	186
459-1432	5.8	186	459-1431	5.7	185	459-1010	8.1	190	459-1433	5.9	186
459-5432	5.8	186	459-5431	5.7	185	459-5010	8.1	190	459-5433	5.9	186
459-1433	5.9	186	459-1432	5.8	186	459-1183	8.2	190	CPL NO. 566		
459-5433	5.9	186	459-5432	5.8	186	CPL NO. 551			459-1010	8.1	190
CPL NO. 528			459-1433	5.9	186	459-1010	8.1	190	459-5010	8.1	190
459-5414	5.1	184	459-5433	5.9	186	459-5010	8.1	190	459-1183	8.2	190
459-5415	5.2	184	CPL NO. 536			459-1183	8.2	190	CPL NO. 567		
459-1416	5.3	184	459-1017	8.21	195	CPL NO. 552			459-1017	8.21	195
459-5416	5.3	184	459-5017	8.21	195	459-1010	8.1	190	459-5017	8.21	195

PART NO	LINE #	PAGE	PART NO	LINE #	PAGE	PART NO	LINE #	PAGE	PART NO	LINE #	PAGE
CPL NO. 567			CPL NO. 582			CPL NO. 613			CPL NO. 632		
459-1080	8.22	195	459-1080	8.22	195	459-1416	5.3	184	459-1010	8.1	190
CPL NO. 572			CPL NO. 583			459-5416			459-5010		
459-1010	8.1	190	459-1017	8.21	195	459-1431	5.7	185	459-1183	8.2	190
459-5010	8.1	190	459-5017	8.21	195	459-5431	5.7	185	CPL NO. 633		
459-1183	8.2	190	459-1080	8.22	195	459-1432	5.8	186	459-1042	8.71	208
CPL NO. 573			CPL NO. 585			459-5432			459-5042		
459-1017	8.21	195	459-1042	8.71	208	459-1433	5.9	186	459-1117	8.72	208
459-5017	8.21	195	459-5042	8.71	208	459-5433			CPL NO. 634		
459-1080	8.22	195	459-1117	8.72	208	CPL NO. 614			459-1010	8.1	190
CPL NO. 574			CPL NO. 588			459-1059	8.100	215	459-5010	8.1	190
459-1017	8.21	195	459-1023	8.43	201	459-5059	8.100	215	459-1183	8.2	190
459-5017	8.21	195	459-5023	8.43	201	459-1154	8.101	215	CPL NO. 636		
459-1080	8.22	195	459-1103	8.44	201	CPL NO. 615			459-1042	8.71	208
CPL NO. 575			CPL NO. 606			459-1059	8.100	215	459-5042	8.71	208
459-1023	8.43	201	459-1010	8.1	190	459-5059	8.100	215	459-1117	8.72	208
459-5023	8.43	201	459-5010	8.1	190	459-1154	8.101	215	CPL NO. 637		
459-1103	8.44	201	459-1183	8.2	190	CPL NO. 625			459-1010	8.1	190
CPL NO. 578			CPL NO. 608			459-1023	8.43	201	459-5010	8.1	190
459-1017	8.21	195	459-5414	5.1	184	459-5023	8.43	201	459-1183	8.2	190
459-5017	8.21	195	459-5415	5.2	184	459-1103	8.44	201	CPL NO. 638		
459-1080	8.22	195	459-1416	5.3	184	CPL NO. 626			459-5414	5.1	184
CPL NO. 579			459-5416	5.3	184	459-5414	5.1	184	459-5415	5.2	184
459-1042	8.71	208	459-1431	5.7	185	459-5415	5.2	184	459-1416	5.3	184
459-5042	8.71	208	459-5431	5.7	185	459-1416	5.3	184	459-5416	5.3	184
459-1117	8.72	208	459-1432	5.8	186	459-5416	5.3	184	459-1431	5.7	185
CPL NO. 580			459-5432	5.8	186	459-1431	5.7	185	459-5431	5.7	185
459-5414	5.1	184	459-1433	5.9	186	459-5431	5.7	185	459-1432	5.8	186
459-5415	5.2	184	459-5433	5.9	186	459-1432	5.8	186	459-5432	5.8	186
459-1416	5.3	184	CPL NO. 609			459-5432	5.8	186	459-1433	5.9	186
459-5416	5.3	184	459-1017	8.21	195	459-1433	5.9	186	459-5433	5.9	186
459-1431	5.7	185	459-5017	8.21	195	459-5433	5.9	186	CPL NO. 641		
459-5431	5.7	185	459-1080	8.22	195	CPL NO. 631			459-5414	5.1	184
459-1432	5.8	186	CPL NO. 611			459-5414	5.1	184	459-5415	5.2	184
459-5432	5.8	186	459-1010	8.1	190	459-5415	5.2	184	459-1416	5.3	184
459-1433	5.9	186	459-5010	8.1	190	459-1416	5.3	184	459-5416	5.3	184
459-5433	5.9	186	459-1183	8.2	190	459-5416	5.3	184	459-1431	5.7	185
CPL NO. 581			CPL NO. 612			459-1431	5.7	185	459-5431	5.7	185
459-1042	8.71	208	459-1042	8.71	208	459-5431	5.7	185	459-1432	5.8	186
459-5042	8.71	208	459-5042	8.71	208	459-1432	5.8	186	459-5432	5.8	186
459-1117	8.72	208	459-1117	8.72	208	459-5432	5.8	186	459-1433	5.9	186
CPL NO. 582			CPL NO. 613			459-5433	5.9	186	459-5433	5.9	186
459-1017	8.21	195	459-5414	5.1	184	459-1433	5.9	186	CPL NO. 642		
459-5017	8.21	195	459-5415	5.2	184	CPL NO. 632			459-1046	8.81	210

PART NO	LINE #	PAGE
CPL NO. 642		
459-5046	8.81	210
459-1450	8.82	210
CPL NO. 643		
459-5414	5.1	184
459-5415	5.2	184
459-1416	5.3	184
459-5416	5.3	184
459-1431	5.7	185
459-5431	5.7	185
459-1432	5.8	186
459-5432	5.8	186
459-1433	5.9	186
459-5433	5.9	186
CPL NO. 649		
459-5414	5.1	184
459-5415	5.2	184
459-1416	5.3	184
459-5416	5.3	184
459-1431	5.7	185
459-5431	5.7	185
459-1432	5.8	186
459-1433	5.9	186
459-5433	5.9	186
CPL NO. 650		
459-1010	8.1	190
459-5010	8.1	190
459-1183	8.2	190
CPL NO. 651		
459-1046	8.81	210
459-5046	8.81	210
459-1450	8.82	210
CPL NO. 657		
459-1023	8.43	201
459-5023	8.43	201
459-1103	8.44	201
CPL NO. 659		
459-1046	8.81	210
459-5046	8.81	210
459-1450	8.82	210
CPL NO. 662		
459-5414	5.1	184
459-5415	5.2	184

PART NO	LINE #	PAGE
CPL NO. 662		
459-1416	5.3	184
459-5416	5.3	184
459-1431	5.7	185
459-5431	5.7	185
459-1432	5.8	186
459-5432	5.8	186
459-1433	5.9	186
459-5433	5.9	186
CPL NO. 669		
459-1010	8.1	190
459-5010	8.1	190
459-1183	8.2	190
CPL NO. 670		
459-1017	8.21	195
459-5017	8.21	195
459-1080	8.22	195
CPL NO. 671		
459-5414	5.1	184
459-5415	5.2	184
459-1416	5.3	184
459-5416	5.3	184
459-1431	5.7	185
459-5431	5.7	185
459-1432	5.8	186
459-5432	5.8	186
459-1433	5.9	186
459-5433	5.9	186
CPL NO. 673		
459-1064	8.105	216
459-5064	8.105	216
459-1167	8.106	216
CPL NO. 674		
459-1042	8.71	208
459-5042	8.71	208
459-1117	8.72	208
CPL NO. 675		
459-1036	8.60	205
459-5036	8.60	205
459-1038	8.61	205
459-5038	8.61	205
459-1109	8.62	205
CPL NO. 676		
459-1046	8.81	210

PART NO	LINE #	PAGE
CPL NO. 676		
459-5046	8.81	210
459-1450	8.82	210
CPL NO. 677		
459-1059	8.100	215
459-5059	8.100	215
459-1154	8.101	215
CPL NO. 695		
459-1023	8.43	201
459-5023	8.43	201
459-1103	8.44	201
CPL NO. 699		
459-1017	8.21	195
459-5017	8.21	195
459-1080	8.22	195
CPL NO. 700		
459-1010	8.1	190
459-5010	8.1	190
459-1183	8.2	190
CPL NO. 701		
459-1010	8.1	190
459-5010	8.1	190
459-1183	8.2	190
CPL NO. 703		
459-5414	5.1	184
459-5415	5.2	184
459-1416	5.3	184
459-5416	5.3	184
459-1431	5.7	185
459-5431	5.7	185
459-1432	5.8	186
459-5432	5.8	186
459-1433	5.9	186
459-5433	5.9	186
CPL NO. 704		
459-5414	5.1	184
459-5415	5.2	184
459-1416	5.3	184
459-5416	5.3	184
459-1431	5.7	185
459-5431	5.7	185
459-1432	5.8	186
459-5432	5.8	186
459-1433	5.9	186
459-5433	5.9	186
CPL NO. 707		
459-5414	5.1	184
459-5415	5.2	184
459-1416	5.3	184
459-5416	5.3	184
459-1431	5.7	185
459-5431	5.7	185
459-1432	5.8	186
459-5432	5.8	186
459-1433	5.9	186
459-5433	5.9	186
CPL NO. 708		
459-5414	5.1	184
459-5415	5.2	184
459-1416	5.3	184
459-5416	5.3	184
459-1431	5.7	185
459-5431	5.7	185
459-1432	5.8	186
459-5432	5.8	186
459-1433	5.9	186
459-5433	5.9	186
CPL NO. 709		
459-1032	8.52	203
459-5032	8.52	203
459-1143	8.53	203
CPL NO. 717		
459-5414	5.1	184
459-5415	5.2	184
459-1416	5.3	184
459-5416	5.3	184
459-1431	5.7	185
459-5431	5.7	185
459-1432	5.8	186
459-5432	5.8	186
459-1433	5.9	186
459-5433	5.9	186
CPL NO. 718		

PART NO	LINE #	PAGE	PART NO	LINE #	PAGE	PART NO	LINE #	PAGE	PART NO	LINE #	PAGE
CPL NO. 718			CPL NO. 747			CPL NO. 769			CPL NO. 773		
459-1038	8.61	205	459-5414	5.1	184	459-1109	8.62	205	459-1433	5.9	186
459-5038	8.61	205	459-5415	5.2	184	CPL NO. 770			459-5433	5.9	186
459-1109	8.62	205	459-1416	5.3	184	459-5414	5.1	184	CPL NO. 774		
CPL NO. 719			459-5416	5.3	184	459-5415	5.2	184	459-5414	5.1	184
459-1017	8.21	195	459-1431	5.7	185	459-1416	5.3	184	459-5415	5.2	184
459-5017	8.21	195	459-5431	5.7	185	459-5416	5.3	184	459-1416	5.3	184
459-1080	8.22	195	459-1432	5.8	186	459-1431	5.7	185	459-5416	5.3	184
CPL NO. 726			459-5432	5.8	186	459-5431	5.7	185	459-1431	5.7	185
459-5414	5.1	184	459-1433	5.9	186	459-1432	5.8	186	459-5431	5.7	185
459-5415	5.2	184	459-5433	5.9	186	459-5432	5.8	186	459-1432	5.8	186
459-1416	5.3	184	CPL NO. 748			459-1433	5.9	186	459-5432	5.8	186
459-5416	5.3	184	459-5414	5.1	184	459-5433	5.9	186	459-1433	5.9	186
459-1431	5.7	185	459-5415	5.2	184	CPL NO. 771			459-5433	5.9	186
459-5431	5.7	185	459-1416	5.3	184	459-5414	5.1	184	CPL NO. 775		
459-1432	5.8	186	459-5416	5.3	184	459-5415	5.2	184	459-5414	5.1	184
459-5432	5.8	186	459-1431	5.7	185	459-1416	5.3	184	459-5415	5.2	184
459-1433	5.9	186	459-5431	5.7	185	459-5416	5.3	184	459-1416	5.3	184
459-5433	5.9	186	459-1432	5.8	186	459-1431	5.7	185	459-5416	5.3	184
CPL NO. 731			459-5432	5.8	186	459-5431	5.7	185	459-1431	5.7	185
459-1010	8.1	190	459-1433	5.9	186	459-1432	5.8	186	459-5431	5.7	185
459-5010	8.1	190	459-5433	5.9	186	459-5432	5.8	186	459-1432	5.8	186
459-1183	8.2	190	CPL NO. 749			459-1433	5.9	186	459-5432	5.8	186
CPL NO. 732			459-1064	8.105	216	459-5433	5.9	186	459-1433	5.9	186
459-1017	8.21	195	459-5064	8.105	216	CPL NO. 772			459-5433	5.9	186
459-5017	8.21	195	459-1167	8.106	216	459-5414	5.1	184	CPL NO. 776		
459-1080	8.22	195	CPL NO. 751			459-5415	5.2	184	459-5414	5.1	184
CPL NO. 733			459-5414	5.1	184	459-1416	5.3	184	459-5415	5.2	184
459-1017	8.21	195	459-5415	5.2	184	459-5416	5.3	184	459-1416	5.3	184
459-5017	8.21	195	459-1416	5.3	184	459-1431	5.7	185	459-5416	5.3	184
459-1080	8.22	195	459-5416	5.3	184	459-5431	5.7	185	459-1431	5.7	185
CPL NO. 743			459-1431	5.7	185	459-1432	5.8	186	459-5431	5.7	185
459-1042	8.71	208	459-5431	5.7	185	459-5432	5.8	186	459-1432	5.8	186
459-5042	8.71	208	459-1432	5.8	186	459-1433	5.9	186	459-5432	5.8	186
459-1117	8.72	208	459-5432	5.8	186	459-5433	5.9	186	459-1433	5.9	186
CPL NO. 744			459-1433	5.9	186	CPL NO. 773			459-5433	5.9	186
459-1020	8.31	198	459-5433	5.9	186	459-5414	5.1	184	CPL NO. 777		
459-5020	8.31	198	CPL NO. 757			459-5415	5.2	184	459-5414	5.1	184
459-1088	8.32	198	459-1023	8.43	201	459-1416	5.3	184	459-5415	5.2	184
CPL NO. 745			459-5023	8.43	201	459-5416	5.3	184	459-1416	5.3	184
459-1023	8.43	201	459-1103	8.44	201	459-1431	5.7	185	459-5416	5.3	184
459-5023	8.43	201	CPL NO. 769			459-5431	5.7	185	459-1431	5.7	185
459-1103	8.44	201	459-1038	8.61	205	459-1432	5.8	186	459-5431	5.7	185
CPL NO. 747			459-5038	8.61	205	459-5432	5.8	186	459-1432	5.8	186

PART NO	LINE #	PAGE
CPL NO. 835		
459-5415	5.2	184
459-1416	5.3	184
459-5416	5.3	184
459-1431	5.7	185
459-5431	5.7	185
459-1432	5.8	186
459-5432	5.8	186
459-1433	5.9	186
459-5433	5.9	186
CPL NO. 836		
459-5414	5.1	184
459-5415	5.2	184
459-1416	5.3	184
459-5416	5.3	184
459-1431	5.7	185
459-5431	5.7	185
459-1432	5.8	186
459-5432	5.8	186
459-1433	5.9	186
459-5433	5.9	186
CPL NO. 838		
459-1230	8.161	230
459-5230	8.161	230
459-1231	8.162	230
CPL NO. 840		
459-1230	8.161	230
459-5230	8.161	230
459-1231	8.162	230
CPL NO. 849		
459-1023	8.43	201
459-5023	8.43	201
459-1103	8.44	201
CPL NO. 880		
459-1023	8.43	201
459-5023	8.43	201
459-1103	8.44	201
CPL NO. 881		
459-5414	5.1	184
459-5415	5.2	184
459-1416	5.3	184
459-5416	5.3	184
459-1431	5.7	185
459-5431	5.7	185

PART NO	LINE #	PAGE
CPL NO. 881		
459-1432	5.8	186
459-5432	5.8	186
459-1433	5.9	186
459-5433	5.9	186
CPL NO. 882		
459-5414	5.1	184
459-5415	5.2	184
459-1416	5.3	184
459-5416	5.3	184
459-1431	5.7	185
459-5431	5.7	185
459-1432	5.8	186
459-5432	5.8	186
459-1433	5.9	186
459-5433	5.9	186
CPL NO. 891		
459-1052	8.90	212
459-5052	8.90	212
459-1132	8.91	213
CPL NO. 894		
459-5414	5.1	184
459-5415	5.2	184
459-1416	5.3	184
459-5416	5.3	184
459-1431	5.7	185
459-5431	5.7	185
459-1432	5.8	186
459-5432	5.8	186
459-1433	5.9	186
459-5433	5.9	186
CPL NO. 903		
459-1046	8.81	210
459-5046	8.81	210
459-1450	8.82	210
CPL NO. 904		
459-1046	8.81	210
459-5046	8.81	210
459-1450	8.82	210
CPL NO. 905		
459-1038	8.61	205
459-5038	8.61	205
459-1109	8.62	205
CPL NO. 908		

PART NO	LINE #	PAGE
CPL NO. 908		
459-1052	8.90	212
459-5052	8.90	212
459-1132	8.91	213
CPL NO. 909		
459-1052	8.90	212
459-5052	8.90	212
459-1132	8.91	213
CPL NO. 919		
459-5414	5.1	184
459-5415	5.2	184
459-1416	5.3	184
459-5416	5.3	184
459-1431	5.7	185
459-5431	5.7	185
459-1432	5.8	186
459-5432	5.8	186
459-1433	5.9	186
459-5433	5.9	186
CPL NO. 921		
459-5414	5.1	184
459-5415	5.2	184
459-1416	5.3	184
459-5416	5.3	184
459-1431	5.7	185
459-5431	5.7	185
459-1432	5.8	186
459-5432	5.8	186
459-1433	5.9	186
459-5433	5.9	186
CPL NO. 939		
459-5417	5.4	184
459-5418	5.5	185
459-1419	5.6	185
459-5419	5.6	185
459-1434	5.10	186
459-5434	5.10	186
459-1441	5.11	187
459-5435	5.11	187
459-1436	5.12	187
459-5436	5.12	187
CPL NO. 956		
459-5417	5.4	184
459-5418	5.5	185

PART NO	LINE #	PAGE
CPL NO. 956		
459-1419	5.6	185
459-5419	5.6	185
459-1434	5.10	186
459-5434	5.10	186
459-1441	5.11	187
459-5435	5.11	187
459-1436	5.12	187
459-5436	5.12	187
CPL NO. 958		
459-5414	5.1	184
459-5415	5.2	184
459-1416	5.3	184
459-5416	5.3	184
459-1431	5.7	185
459-5431	5.7	185
459-1432	5.8	186
459-5432	5.8	186
459-1433	5.9	186
459-5433	5.9	186
CPL NO. 963		
459-1042	8.71	208
459-5042	8.71	208
459-1117	8.72	208
CPL NO. 972		
459-1017	8.21	195
459-5017	8.21	195
459-1080	8.22	195
CPL NO. 974		
459-1010	8.1	190
459-5010	8.1	190
459-1183	8.2	190
CPL NO. 978		
459-5414	5.1	184
459-5415	5.2	184
459-1416	5.3	184
459-5416	5.3	184
459-1431	5.7	185
459-5431	5.7	185
459-1432	5.8	186
459-5432	5.8	186
459-1433	5.9	186
459-5433	5.9	186
CPL NO. 979		

PART NO	LINE #	PAGE
CPL NO. 979		
459-5414	5.1	184
459-5415	5.2	184
459-1416	5.3	184
459-5416	5.3	184
459-1431	5.7	185
459-5431	5.7	185
459-1432	5.8	186
459-5432	5.8	186
459-1433	5.9	186
459-5433	5.9	186
CPL NO. 980		
459-5417	5.4	184
459-5418	5.5	185
459-1419	5.6	185
459-5419	5.6	185
459-1434	5.10	186
459-5434	5.10	186
459-1441	5.11	187
459-5435	5.11	187
459-1436	5.12	187
459-5436	5.12	187
CPL NO. 988		
459-1059	8.100	215
459-5059	8.100	215
459-1154	8.101	215
CPL NO. 991		
459-1052	8.90	212
459-5052	8.90	212
459-1132	8.91	213
CPL NO. 995		
459-5417	5.4	184
459-5418	5.5	185
459-1419	5.6	185
459-5419	5.6	185
459-1434	5.10	186
459-5434	5.10	186
459-1441	5.11	187
459-5435	5.11	187
459-1436	5.12	187
459-5436	5.12	187
CPL NO. 996		
459-5417	5.4	184
459-5418	5.5	185

PART NO	LINE #	PAGE
CPL NO. 996		
459-1419	5.6	185
459-5419	5.6	185
459-1434	5.10	186
459-5434	5.10	186
459-1441	5.11	187
459-5435	5.11	187
459-1436	5.12	187
459-5436	5.12	187
CPL NO. 1164		
459-5414	5.1	184
459-5415	5.2	184
459-1416	5.3	184
459-5416	5.3	184
459-1431	5.7	185
459-5431	5.7	185
459-1432	5.8	186
459-5432	5.8	186
459-1433	5.9	186
459-5433	5.9	186
CPL NO. 1167		
459-1023	8.43	201
459-5023	8.43	201
459-1103	8.44	201
CPL NO. 1171		
459-1023	8.43	201
459-5023	8.43	201
459-1103	8.44	201
CPL NO. 1179		
459-1023	8.43	201
459-5023	8.43	201
459-1103	8.44	201
CPL NO. 1181		
459-1010	8.1	190
459-5010	8.1	190
459-1183	8.2	190
CPL NO. 1183		
459-1023	8.43	201
459-5023	8.43	201
459-1103	8.44	201
CPL NO. 1185		
459-1272	8.178	234
459-5272	8.178	234
459-1274	8.179	235

PART NO	LINE #	PAGE
CPL NO. 1185		
459-5274	8.179	235
CPL NO. 1186		
459-1046	8.81	210
459-5046	8.81	210
459-1450	8.82	210
CPL NO. 1187		
459-1230	8.161	230
459-5230	8.161	230
459-1231	8.162	230
CPL NO. 1188		
459-1272	8.178	234
459-5272	8.178	234
459-1274	8.179	235
459-5274	8.179	235
CPL NO. 1193		
459-1052	8.90	212
459-5052	8.90	212
459-1132	8.91	213
CPL NO. 1194		
459-1023	8.43	201
459-5023	8.43	201
459-1103	8.44	201
CPL NO. 1197		
459-1023	8.43	201
459-5023	8.43	201
459-1103	8.44	201
CPL NO. 1198		
459-5414	5.1	184
459-5415	5.2	184
459-1416	5.3	184
459-5416	5.3	184
459-1431	5.7	185
459-5431	5.7	185
459-1432	5.8	186
459-5432	5.8	186
459-1433	5.9	186
459-5433	5.9	186
CPL NO. 1204		
459-1010	8.1	190
459-5010	8.1	190
459-1183	8.2	190
CPL NO. 1205		
459-1017	8.21	195

PART NO	LINE #	PAGE
CPL NO. 1205		
459-5017	8.21	195
459-1080	8.22	195
CPL NO. 1208		
459-5414	5.1	184
459-5415	5.2	184
459-1416	5.3	184
459-5416	5.3	184
459-1431	5.7	185
459-5431	5.7	185
459-1432	5.8	186
459-5432	5.8	186
459-1433	5.9	186
459-5433	5.9	186
CPL NO. 1211		
459-1272	8.178	234
459-5272	8.178	234
459-1274	8.179	235
459-5274	8.179	235
CPL NO. 1215		
459-1046	8.81	210
459-5046	8.81	210
459-1450	8.82	210
CPL NO. 1223		
459-5417	5.4	184
459-5418	5.5	185
459-1419	5.6	185
459-5419	5.6	185
459-1434	5.10	186
459-5434	5.10	186
459-1441	5.11	187
459-5435	5.11	187
459-1436	5.12	187
459-5436	5.12	187
CPL NO. 1224		
459-5417	5.4	184
459-5418	5.5	185
459-1419	5.6	185
459-5419	5.6	185
459-1434	5.10	186
459-5434	5.10	186
459-1441	5.11	187
459-5435	5.11	187
459-1436	5.12	187

PART NO	LINE #	PAGE
CPL NO. 1224		
459-5436	5.12	187
CPL NO. 1225		
459-5417	5.4	184
459-5418	5.5	185
459-1419	5.6	185
459-5419	5.6	185
459-1434	5.10	186
459-5434	5.10	186
459-1441	5.11	187
459-5435	5.11	187
459-1436	5.12	187
459-5436	5.12	187
CPL NO. 1226		
459-5417	5.4	184
459-5418	5.5	185
459-1419	5.6	185
459-5419	5.6	185
459-1434	5.10	186
459-5434	5.10	186
459-1441	5.11	187
459-5435	5.11	187
459-1436	5.12	187
459-5436	5.12	187
CPL NO. 1234		
459-5414	5.1	184
459-5415	5.2	184
459-1416	5.3	184
459-5416	5.3	184
459-1431	5.7	185
459-5431	5.7	185
459-1432	5.8	186
459-5432	5.8	186
459-1433	5.9	186
459-5433	5.9	186
CPL NO. 1262		
459-1423	4.1	180
459-5423	4.1	180
459-1424	4.2	180
459-5424	4.2	180
459-1425	4.3	181
459-5425	4.3	181
459-1426	4.4	181
459-5426	4.4	181

PART NO	LINE #	PAGE
CPL NO. 1263		
459-1423	4.1	180
459-5423	4.1	180
459-1424	4.2	180
459-5424	4.2	180
459-1425	4.3	181
459-5425	4.3	181
459-1426	4.4	181
459-5426	4.4	181
CPL NO. 1314		
459-1052	8.90	212
459-5052	8.90	212
459-1132	8.91	213
CPL NO. 1346		
459-5417	5.4	184
459-5418	5.5	185
459-1419	5.6	185
459-5419	5.6	185
459-1434	5.10	186
459-5434	5.10	186
459-1441	5.11	187
459-5435	5.11	187
459-1436	5.12	187
459-5436	5.12	187
CPL NO. 1350		
459-1052	8.90	212
459-5052	8.90	212
459-1132	8.91	213
CPL NO. 1352		
459-1230	8.161	230
459-5230	8.161	230
459-1231	8.162	230
CPL NO. 1359		
459-5414	5.1	184
459-5415	5.2	184
459-1416	5.3	184
459-5416	5.3	184
459-1431	5.7	185
459-5431	5.7	185
459-1432	5.8	186
459-5432	5.8	186
459-1433	5.9	186
459-5433	5.9	186
CPL NO. 1378		

PART NO	LINE #	PAGE
CPL NO. 1378		
459-5414	5.1	184
459-5415	5.2	184
459-1416	5.3	184
459-5416	5.3	184
459-1431	5.7	185
459-5431	5.7	185
459-1432	5.8	186
459-5432	5.8	186
459-1433	5.9	186
459-5433	5.9	186
CPL NO. 1381		
459-1052	8.90	212
459-5052	8.90	212
459-1132	8.91	213
CPL NO. 1401		
459-1010	8.1	190
459-5010	8.1	190
459-1183	8.2	190
CPL NO. 1406		
459-1423	4.1	180
459-5423	4.1	180
459-1424	4.2	180
459-5424	4.2	180
459-1425	4.3	181
459-5425	4.3	181
459-1426	4.4	181
459-5426	4.4	181
CPL NO. 1409		
459-1010	8.1	190
459-5010	8.1	190
459-1183	8.2	190
CPL NO. 1410		
459-1010	8.1	190
459-5010	8.1	190
459-1183	8.2	190
CPL NO. 1411		
459-1023	8.43	201
459-5023	8.43	201
459-1103	8.44	201
CPL NO. 1412		
459-5414	5.1	184
459-5415	5.2	184
459-1416	5.3	184

PART NO	LINE #	PAGE
CPL NO. 1412		
459-5416	5.3	184
459-1431	5.7	185
459-5431	5.7	185
459-1432	5.8	186
459-5432	5.8	186
459-1433	5.9	186
459-5433	5.9	186
CPL NO. 1413		
459-5414	5.1	184
459-5415	5.2	184
459-1416	5.3	184
459-5416	5.3	184
459-1431	5.7	185
459-5431	5.7	185
459-1432	5.8	186
459-5432	5.8	186
459-1433	5.9	186
459-5433	5.9	186
CPL NO. 1414		
459-5414	5.1	184
459-5415	5.2	184
459-1416	5.3	184
459-5416	5.3	184
459-1431	5.7	185
459-5431	5.7	185
459-1432	5.8	186
459-5432	5.8	186
459-1433	5.9	186
459-5433	5.9	186
CPL NO. 1415		
459-1038	8.61	205
459-5038	8.61	205
459-1109	8.62	205
CPL NO. 1416		
459-1038	8.61	205
459-5038	8.61	205
459-1109	8.62	205
CPL NO. 1417		
459-1052	8.90	212
459-5052	8.90	212
459-1132	8.91	213
CPL NO. 1418		
459-1052	8.90	212



ENGINE KITS CPL NUMBER INDEX

MAHLE

CPL 1418 - 1621

PART NO	LINE #	PAGE
CPL NO. 1418		
459-5052	8.90	212
459-1132	8.91	213
CPL NO. 1421		
459-1052	8.90	212
459-5052	8.90	212
459-1132	8.91	213
CPL NO. 1425		
459-1064	8.105	216
459-5064	8.105	216
459-1167	8.106	216
CPL NO. 1429		
459-5414	5.1	184
459-5415	5.2	184
459-1416	5.3	184
459-5416	5.3	184
459-1431	5.7	185
459-5431	5.7	185
459-1432	5.8	186
459-5432	5.8	186
459-1433	5.9	186
459-5433	5.9	186
CPL NO. 1436		
459-1052	8.90	212
459-5052	8.90	212
459-1132	8.91	213
CPL NO. 1439		
459-1423	4.1	180
459-5423	4.1	180
459-1424	4.2	180
459-5424	4.2	180
459-1425	4.3	181
459-5425	4.3	181
459-1426	4.4	181
459-5426	4.4	181
CPL NO. 1441		
459-5417	5.4	184
459-5418	5.5	185
459-1419	5.6	185
459-5419	5.6	185
459-1434	5.10	186
459-5434	5.10	186
459-1441	5.11	187
459-5435	5.11	187

PART NO	LINE #	PAGE
CPL NO. 1441		
459-1436	5.12	187
459-5436	5.12	187
CPL NO. 1442		
459-5417	5.4	184
459-5418	5.5	185
459-1419	5.6	185
459-5419	5.6	185
459-1434	5.10	186
459-5434	5.10	186
459-1441	5.11	187
459-5435	5.11	187
459-1436	5.12	187
459-5436	5.12	187
CPL NO. 1443		
459-5414	5.1	184
459-5415	5.2	184
459-1416	5.3	184
459-5416	5.3	184
459-1431	5.7	185
459-5431	5.7	185
459-1432	5.8	186
459-5432	5.8	186
459-1433	5.9	186
459-5433	5.9	186
CPL NO. 1444		
459-5414	5.1	184
459-5415	5.2	184
459-1416	5.3	184
459-5416	5.3	184
459-1431	5.7	185
459-5431	5.7	185
459-1432	5.8	186
459-5432	5.8	186
459-1433	5.9	186
459-5433	5.9	186
CPL NO. 1453		
459-5414	5.1	184
459-5415	5.2	184
459-1416	5.3	184
459-5416	5.3	184
459-1431	5.7	185
459-5431	5.7	185
459-1432	5.8	186
459-5432	5.8	186
459-1433	5.9	186
459-5433	5.9	186

PART NO	LINE #	PAGE
CPL NO. 1453		
459-5432	5.8	186
459-1433	5.9	186
459-5433	5.9	186
CPL NO. 1459		
459-5414	5.1	184
459-5415	5.2	184
459-1416	5.3	184
459-5416	5.3	184
459-1431	5.7	185
459-5431	5.7	185
459-1432	5.8	186
459-5432	5.8	186
459-1433	5.9	186
459-5433	5.9	186
CPL NO. 1502		
459-1064	8.105	216
459-5064	8.105	216
459-1167	8.106	216
CPL NO. 1546		
459-1064	8.105	216
459-5064	8.105	216
459-1167	8.106	216
CPL NO. 1551		
409-1030	1.9	176
409-5030	1.9	176
409-1031	2.5	179
409-5031	2.5	179
CPL NO. 1552		
409-1030	1.9	176
409-5030	1.9	176
409-1031	2.5	179
409-5031	2.5	179
CPL NO. 1557		
459-1052	8.90	212
459-5052	8.90	212
459-1132	8.91	213
CPL NO. 1615		
459-1423	4.1	180
459-5423	4.1	180
459-1424	4.2	180
459-5424	4.2	180
459-1425	4.3	181
459-5425	4.3	181

PART NO	LINE #	PAGE
CPL NO. 1615		
459-1426	4.4	181
459-5426	4.4	181
CPL NO. 1618		
459-1423	4.1	180
459-5423	4.1	180
459-1424	4.2	180
459-5424	4.2	180
459-1425	4.3	181
459-5425	4.3	181
459-1426	4.4	181
459-5426	4.4	181
CPL NO. 1619		
459-5417	5.4	184
459-5418	5.5	185
459-1419	5.6	185
459-5419	5.6	185
459-1434	5.10	186
459-5434	5.10	186
459-1441	5.11	187
459-5435	5.11	187
459-1436	5.12	187
459-5436	5.12	187
CPL NO. 1620		
459-5417	5.4	184
459-5418	5.5	185
459-1419	5.6	185
459-5419	5.6	185
459-1434	5.10	186
459-5434	5.10	186
459-1441	5.11	187
459-5435	5.11	187
459-1436	5.12	187
459-5436	5.12	187
CPL NO. 1621		
459-5417	5.4	184
459-5418	5.5	185
459-1419	5.6	185
459-5419	5.6	185
459-1434	5.10	186
459-5434	5.10	186
459-1441	5.11	187
459-5435	5.11	187
459-1436	5.12	187



ENGINE KITS CPL NUMBER INDEX

MAHLE

PART NO	LINE #	PAGE
CPL NO. 1621		
459-5436	5.12	187
CPL NO. 1622		
459-5417	5.4	184
459-5418	5.5	185
459-1419	5.6	185
459-5419	5.6	185
459-1434	5.10	186
459-5434	5.10	186
459-1441	5.11	187
459-5435	5.11	187
459-1436	5.12	187
459-5436	5.12	187
CPL NO. 1623		
459-5417	5.4	184
459-5418	5.5	185
459-1419	5.6	185
459-5419	5.6	185
459-1434	5.10	186
459-5434	5.10	186
459-1441	5.11	187
459-5435	5.11	187
459-1436	5.12	187
459-5436	5.12	187
CPL NO. 1624		
459-5417	5.4	184
459-5418	5.5	185
459-1419	5.6	185
459-5419	5.6	185
459-1434	5.10	186
459-5434	5.10	186
459-1441	5.11	187
459-5435	5.11	187
459-1436	5.12	187
459-5436	5.12	187
CPL NO. 1625		
459-5417	5.4	184
459-5418	5.5	185
459-1419	5.6	185
459-5419	5.6	185
459-1434	5.10	186
459-5434	5.10	186
459-1441	5.11	187
459-5435	5.11	187

PART NO	LINE #	PAGE
CPL NO. 1625		
459-1436	5.12	187
459-5436	5.12	187
CPL NO. 1648		
459-5417	5.4	184
459-5418	5.5	185
459-1419	5.6	185
459-5419	5.6	185
459-1434	5.10	186
459-5434	5.10	186
459-1441	5.11	187
459-5435	5.11	187
459-1436	5.12	187
459-5436	5.12	187
CPL NO. 1660		
459-5414	5.1	184
459-5415	5.2	184
459-1416	5.3	184
459-5416	5.3	184
459-1431	5.7	185
459-5431	5.7	185
459-1432	5.8	186
459-5432	5.8	186
459-1433	5.9	186
459-5433	5.9	186
CPL NO. 1668		
459-1423	4.1	180
459-5423	4.1	180
459-1424	4.2	180
459-5424	4.2	180
459-1425	4.3	181
459-5425	4.3	181
459-1426	4.4	181
459-5426	4.4	181
CPL NO. 1674		
459-5414	5.1	184
459-5415	5.2	184
459-1416	5.3	184
459-5416	5.3	184
459-1431	5.7	185
459-5431	5.7	185
459-1432	5.8	186
459-5432	5.8	186
459-1433	5.9	186

PART NO	LINE #	PAGE
CPL NO. 1674		
459-5433	5.9	186
CPL NO. 1675		
459-5417	5.4	184
459-5418	5.5	185
459-1419	5.6	185
459-5419	5.6	185
459-1434	5.10	186
459-5434	5.10	186
459-1441	5.11	187
459-5435	5.11	187
459-1436	5.12	187
459-5436	5.12	187
CPL NO. 1677		
459-5417	5.4	184
459-5418	5.5	185
459-1419	5.6	185
459-5419	5.6	185
459-1434	5.10	186
459-5434	5.10	186
459-1441	5.11	187
459-5435	5.11	187
459-1436	5.12	187
459-5436	5.12	187
CPL NO. 1678		
459-5417	5.4	184
459-5418	5.5	185
459-1419	5.6	185
459-5419	5.6	185
459-1434	5.10	186
459-5434	5.10	186
459-1441	5.11	187
459-5435	5.11	187
459-1436	5.12	187
459-5436	5.12	187
CPL NO. 1687		
459-5414	5.1	184
459-5415	5.2	184
459-1416	5.3	184
459-5416	5.3	184
459-1431	5.7	185
459-5431	5.7	185
459-1432	5.8	186
459-5432	5.8	186

PART NO	LINE #	PAGE
CPL NO. 1687		
459-1433	5.9	186
459-5433	5.9	186
CPL NO. 1695		
459-5414	5.1	184
459-5415	5.2	184
459-1416	5.3	184
459-5416	5.3	184
459-1431	5.7	185
459-5431	5.7	185
459-1432	5.8	186
459-5432	5.8	186
459-1433	5.9	186
459-5433	5.9	186
CPL NO. 1696		
459-5414	5.1	184
459-5415	5.2	184
459-1416	5.3	184
459-5416	5.3	184
459-1431	5.7	185
459-5431	5.7	185
459-1432	5.8	186
459-5432	5.8	186
459-1433	5.9	186
459-5433	5.9	186
CPL NO. 1697		
459-5414	5.1	184
459-5415	5.2	184
459-1416	5.3	184
459-5416	5.3	184
459-1431	5.7	185
459-5431	5.7	185
459-1432	5.8	186
459-5432	5.8	186
459-1433	5.9	186
459-5433	5.9	186
CPL NO. 1698		
459-5414	5.1	184
459-5415	5.2	184
459-1416	5.3	184
459-5416	5.3	184
459-1431	5.7	185
459-5431	5.7	185
459-1432	5.8	186

MAHLE
ORIGINAL**VICTOR REINZ**

Sealing Products

PART NO	LINE #	PAGE
CPL NO. 1698		
459-5432	5.8	186
459-1433	5.9	186
459-5433	5.9	186
CPL NO. 1699		
459-5414	5.1	184
459-5415	5.2	184
459-1416	5.3	184
459-5416	5.3	184
459-1431	5.7	185
459-5431	5.7	185
459-1432	5.8	186
459-5432	5.8	186
459-1433	5.9	186
459-5433	5.9	186
CPL NO. 1800		
459-5414	5.1	184
459-5415	5.2	184
459-1416	5.3	184
459-5416	5.3	184
459-1431	5.7	185
459-5431	5.7	185
459-1432	5.8	186
459-5432	5.8	186
459-1433	5.9	186
459-5433	5.9	186
CPL NO. 1807		
459-1475	9.14	252
459-5442	9.14	252
459-1476	9.15	252
CPL NO. 1809		
459-1483	9.22	254
459-5443	9.22	254
459-1484	9.23	254
CPL NO. 1833		
459-1475	9.14	252
459-5442	9.14	252
459-1476	9.15	252
CPL NO. 1839		
409-1030	1.9	176
409-5030	1.9	176
409-1031	2.5	179
409-5031	2.5	179
CPL NO. 1844		

PART NO	LINE #	PAGE
CPL NO. 1844		
459-1483	9.22	254
459-5443	9.22	254
459-1484	9.23	254
CPL NO. 1845		
459-1429	4.7	182
459-5429	4.7	182
459-1430	4.8	182
459-5430	4.8	182
CPL NO. 1846		
459-1429	4.7	182
459-5429	4.7	182
459-1430	4.8	182
459-5430	4.8	182
CPL NO. 1849		
459-5414	5.1	184
459-5415	5.2	184
459-1416	5.3	184
459-5416	5.3	184
459-1431	5.7	185
459-5431	5.7	185
459-1432	5.8	186
459-5432	5.8	186
459-1433	5.9	186
459-5433	5.9	186
CPL NO. 1852		
459-1483	9.22	254
459-5443	9.22	254
459-1484	9.23	254
CPL NO. 1877		
459-5414	5.1	184
459-5415	5.2	184
459-1416	5.3	184
459-5416	5.3	184
459-1431	5.7	185
459-5431	5.7	185
459-1432	5.8	186
459-5432	5.8	186
459-1433	5.9	186
459-5433	5.9	186
CPL NO. 1888		
409-1030	1.9	176
409-5030	1.9	176
409-1031	2.5	179

PART NO	LINE #	PAGE
CPL NO. 1888		
409-5031	2.5	179
CPL NO. 1895		
409-1030	1.9	176
409-5030	1.9	176
409-1031	2.5	179
409-5031	2.5	179
CPL NO. 1896		
459-1483	9.22	254
459-5443	9.22	254
459-1484	9.23	254
CPL NO. 1900		
459-5414	5.1	184
459-5415	5.2	184
459-1416	5.3	184
459-5416	5.3	184
459-1431	5.7	185
459-5431	5.7	185
459-1432	5.8	186
459-5432	5.8	186
459-1433	5.9	186
459-5433	5.9	186
CPL NO. 1914		
409-1030	1.9	176
409-5030	1.9	176
409-1031	2.5	179
409-5031	2.5	179
CPL NO. 1915		
409-1030	1.9	176
409-5030	1.9	176
409-1031	2.5	179
409-5031	2.5	179
CPL NO. 1916		
409-1030	1.9	176
409-5030	1.9	176
409-1031	2.5	179
409-5031	2.5	179
CPL NO. 1921		
459-1483	9.22	254
459-5443	9.22	254
459-1484	9.23	254
CPL NO. 1924		
459-1483	9.22	254
459-5443	9.22	254

PART NO	LINE #	PAGE
CPL NO. 1924		
459-1484	9.23	254
CPL NO. 1943		
459-1429	4.7	182
459-5429	4.7	182
459-1430	4.8	182
459-5430	4.8	182
CPL NO. 1949		
459-1429	4.7	182
459-5429	4.7	182
459-1430	4.8	182
459-5430	4.8	182
CPL NO. 1987		
459-1483	9.22	254
459-5443	9.22	254
459-1484	9.23	254
CPL NO. 2000		
409-1030	1.9	176
409-5030	1.9	176
409-1031	2.5	179
409-5031	2.5	179
CPL NO. 2001		
409-1030	1.9	176
409-5030	1.9	176
409-1031	2.5	179
409-5031	2.5	179
CPL NO. 2003		
459-1483	9.22	254
459-5443	9.22	254
459-1484	9.23	254
CPL NO. 2007		
459-1429	4.7	182
459-5429	4.7	182
459-1430	4.8	182
459-5430	4.8	182
CPL NO. 2013		
409-1030	1.9	176
409-5030	1.9	176
409-1031	2.5	179
409-5031	2.5	179
CPL NO. 2025		
459-1483	9.22	254
459-5443	9.22	254
459-1484	9.23	254

ENGINE KITS CPL NUMBER INDEX

MAHLE

PART NO	LINE #	PAGE	PART NO	LINE #	PAGE	PART NO	LINE #	PAGE	PART NO	LINE #	PAGE
CPL NO. 2026			CPL NO. 2060			CPL NO. 2143			CPL NO. 2249		
459-1467	9.6	250	459-1430	4.8	182	459-5443	9.22	254	409-1030	1.9	176
459-5441	9.6	250	459-5430	4.8	182	459-1484	9.23	254	409-5030	1.9	176
459-1468	9.7	250	CPL NO. 2061			CPL NO. 2175			409-1031	2.5	179
CPL NO. 2027			459-1429	4.7	182	409-1030	1.9	176	409-5031	2.5	179
459-1475	9.14	252	459-5429	4.7	182	409-5030	1.9	176	CPL NO. 2250		
459-5442	9.14	252	459-1430	4.8	182	409-1031	2.5	179	459-1429	4.7	182
459-1476	9.15	252	459-5430	4.8	182	409-5031	2.5	179	459-5429	4.7	182
CPL NO. 2033			CPL NO. 2062			CPL NO. 2185			459-1430	4.8	182
459-1483	9.22	254	459-1429	4.7	182	459-1429	4.7	182	459-5430	4.8	182
459-5443	9.22	254	459-5429	4.7	182	459-5429	4.7	182	CPL NO. 2251		
459-1484	9.23	254	459-1430	4.8	182	459-1430	4.8	182	409-1030	1.9	176
CPL NO. 2034			459-5430	4.8	182	459-5430	4.8	182	409-5030	1.9	176
459-1429	4.7	182	CPL NO. 2082			CPL NO. 2195			409-1031	2.5	179
459-5429	4.7	182	459-1429	4.7	182	409-1030	1.9	176	409-5031	2.5	179
459-1430	4.8	182	459-5429	4.7	182	409-5030	1.9	176	CPL NO. 2252		
459-5430	4.8	182	459-1430	4.8	182	409-1031	2.5	179	409-1030	1.9	176
CPL NO. 2038			459-5430	4.8	182	409-5031	2.5	179	409-5030	1.9	176
459-1475	9.14	252	CPL NO. 2100			CPL NO. 2196			409-1031	2.5	179
459-5442	9.14	252	459-1423	4.1	180	459-1429	4.7	182	409-5031	2.5	179
459-1476	9.15	252	459-5423	4.1	180	459-5429	4.7	182	CPL NO. 2253		
CPL NO. 2054			459-1424	4.2	180	459-1430	4.8	182	409-1030	1.9	176
459-1429	4.7	182	459-5424	4.2	180	459-5430	4.8	182	409-5030	1.9	176
459-5429	4.7	182	459-1425	4.3	181	CPL NO. 2216			409-1031	2.5	179
459-1430	4.8	182	459-5425	4.3	181	459-1429	4.7	182	409-5031	2.5	179
459-5430	4.8	182	459-1426	4.4	181	459-5429	4.7	182	CPL NO. 2261		
CPL NO. 2055			459-5426	4.4	181	459-1430	4.8	182	459-1483	9.22	254
459-1429	4.7	182	CPL NO. 2118			459-5430	4.8	182	459-5443	9.22	254
459-5429	4.7	182	459-1429	4.7	182	459-5430	4.8	182	459-1484	9.23	254
459-1430	4.8	182	459-5429	4.7	182	CPL NO. 2218			CPL NO. 2287		
459-5430	4.8	182	459-1430	4.8	182	459-1429	4.7	182	459-1483	9.22	254
CPL NO. 2056			459-5430	4.8	182	459-5429	4.7	182	459-5443	9.22	254
459-1429	4.7	182	CPL NO. 2120			459-1430	4.8	182	459-1484	9.23	254
459-5429	4.7	182	459-1429	4.7	182	459-5430	4.8	182	CPL NO. 2305		
459-1430	4.8	182	459-5429	4.7	182	CPL NO. 2219			409-1030	1.9	176
459-5430	4.8	182	459-1430	4.8	182	459-1429	4.7	182	409-5030	1.9	176
CPL NO. 2057			459-5430	4.8	182	459-5429	4.7	182	409-1031	2.5	179
459-1429	4.7	182	CPL NO. 2126			459-1430	4.8	182	409-5031	2.5	179
459-5429	4.7	182	459-1429	4.7	182	CPL NO. 2243			CPL NO. 2306		
459-1430	4.8	182	459-5429	4.7	182	409-1030	1.9	176	459-1483	9.22	254
459-5430	4.8	182	459-1430	4.8	182	409-5030	1.9	176	459-5443	9.22	254
CPL NO. 2060			459-5430	4.8	182	409-1031	2.5	179	459-1484	9.23	254
459-1429	4.7	182	CPL NO. 2143			409-5031	2.5	179	CPL NO. 2307		
459-5429	4.7	182	459-1483	9.22	254	CPL NO. 2249			459-1429	4.7	182

MAHLE
ORIGINAL**VICTOR REINZ**

Sealing Products

PART NO	LINE #	PAGE
CPL NO. 2307		
459-5429	4.7	182
459-1430	4.8	182
459-5430	4.8	182
CPL NO. 2330		
459-1475	9.14	252
459-5442	9.14	252
459-1476	9.15	252
CPL NO. 2347		
409-1030	1.9	176
409-5030	1.9	176
409-1031	2.5	179
409-5031	2.5	179
CPL NO. 2348		
409-1030	1.9	176
409-5030	1.9	176
409-1031	2.5	179
409-5031	2.5	179
CPL NO. 2367		
459-1423	4.1	180
459-5423	4.1	180
459-1424	4.2	180
459-5424	4.2	180
459-1425	4.3	181
459-5425	4.3	181
459-1426	4.4	181
459-5426	4.4	181
CPL NO. 2368		
459-1423	4.1	180
459-5423	4.1	180
459-1424	4.2	180
459-5424	4.2	180
459-1425	4.3	181
459-5425	4.3	181
459-1426	4.4	181
459-5426	4.4	181
CPL NO. 2375		
409-1030	1.9	176
409-5030	1.9	176
409-1031	2.5	179
409-5031	2.5	179
CPL NO. 2388		
459-1483	9.22	254
459-5443	9.22	254

PART NO	LINE #	PAGE
CPL NO. 2388		
459-1484	9.23	254
CPL NO. 2389		
459-1475	9.14	252
459-5442	9.14	252
459-1476	9.15	252
CPL NO. 2390		
459-1483	9.22	254
459-5443	9.22	254
459-1484	9.23	254
CPL NO. 2391		
459-1483	9.22	254
459-5443	9.22	254
459-1484	9.23	254
CPL NO. 2398		
459-1467	9.6	250
459-5441	9.6	250
459-1468	9.7	250
CPL NO. 2403		
459-1483	9.22	254
459-5443	9.22	254
459-1484	9.23	254
CPL NO. 2453		
459-1483	9.22	254
459-5443	9.22	254
459-1484	9.23	254
CPL NO. 2492		
459-1483	9.22	254
459-5443	9.22	254
459-1484	9.23	254
CPL NO. 2529		
459-1483	9.22	254
459-5443	9.22	254
459-1484	9.23	254
CPL NO. 2531		
459-1423	4.1	180
459-5423	4.1	180
459-1424	4.2	180
459-5424	4.2	180
459-1425	4.3	181
459-5425	4.3	181
459-1426	4.4	181
459-5426	4.4	181
CPL NO. 2549		

PART NO	LINE #	PAGE
CPL NO. 2549		
459-1429	4.7	182
459-5429	4.7	182
459-1430	4.8	182
459-5430	4.8	182
CPL NO. 2590		
459-1475	9.14	252
459-5442	9.14	252
459-1476	9.15	252
CPL NO. 2591		
459-1483	9.22	254
459-5443	9.22	254
459-1484	9.23	254
CPL NO. 2592		
459-1483	9.22	254
459-5443	9.22	254
459-1484	9.23	254
CPL NO. 2642		
459-1429	4.7	182
459-5429	4.7	182
459-1430	4.8	182
459-5430	4.8	182
CPL NO. 2659		
459-1483	9.22	254
459-5443	9.22	254
459-1484	9.23	254
CPL NO. 2664		
459-1429	4.7	182
459-5429	4.7	182
459-1430	4.8	182
459-5430	4.8	182
CPL NO. 2697		
409-1030	1.9	176
409-5030	1.9	176
409-1031	2.5	179
409-5031	2.5	179
CPL NO. 2833		
459-1429	4.7	182
459-5429	4.7	182
459-1430	4.8	182
459-5430	4.8	182
CPL NO. 2861		
459-1483	9.22	254
459-5443	9.22	254

PART NO	LINE #	PAGE
CPL NO. 2861		
459-1484	9.23	254
CPL NO. 2862		
459-1483	9.22	254
459-5443	9.22	254
459-1484	9.23	254
CPL NO. 2873		
459-1429	4.7	182
459-5429	4.7	182
459-1430	4.8	182
459-5430	4.8	182
CPL NO. 2874		
459-1429	4.7	182
459-5429	4.7	182
459-1430	4.8	182
459-5430	4.8	182
CPL NO. 2889		
409-1030	1.9	176
409-5030	1.9	176
409-1031	2.5	179
409-5031	2.5	179
CPL NO. 2894		
459-1429	4.7	182
459-5429	4.7	182
459-1430	4.8	182
459-5430	4.8	182
CPL NO. 2898		
459-1475	9.14	252
459-5442	9.14	252
459-1476	9.15	252
CPL NO. 2951		
459-1429	4.7	182
459-5429	4.7	182
459-1430	4.8	182
459-5430	4.8	182
CPL NO. 2995		
459-1423	4.1	180
459-5423	4.1	180
459-1424	4.2	180
459-5424	4.2	180
459-1425	4.3	181
459-5425	4.3	181
459-1426	4.4	181
459-5426	4.4	181



PART NO	LINE #	PAGE
CPL NO. 8064		
409-1030	1.9	176
409-5030	1.9	176
409-1031	2.5	179
409-5031	2.5	179
CPL NO. 8176		
409-1030	1.9	176
409-5030	1.9	176
409-1031	2.5	179
409-5031	2.5	179
CPL NO. 8541		
409-1030	1.9	176
409-5030	1.9	176
409-1031	2.5	179
409-5031	2.5	179

Model	No. Cyls.	Liter	CID	Bore (mm)	Bore (IN)	Stroke (mm)	Stroke (IN)	Line No.
4B-3.9	4	3.9	239	102.0	4.016	120.0	4.7	2
6B-5.9	6	5.9	359	102.0	4.016	120.0	4.7	1
6B-6.7	6	6.7	408	107.0	4.210	124.0	4.1	3
6C-8.3	6	8.3	505	114.0	4.488	135.1	5.3	4
ISX, QSX	6	15.0	912	137.2	5.400	169.0	6.7	7
L10	6	10.0	611	125.0	4.921	136.0	5.4	5
M11	6	10.8	661	125.0	4.921	147.1	5.8	6
N14	6	14.0	855	139.7	5.500	152.4	6.0	9
NT-855	6	14.0	855	139.7	5.500	152.4	6.0	8

LINE #	NOTES	PART DESCRIPTION	OVERHAUL	QTY	IN-FRAME	QTY
1	Engine Code: '6B-5.9' 6 Cyl, 5.9L / 359 CID, Bore 102.0mm / 4.016", Stroke 120.0mm / 4.724"					1
1.1	Contains OE# 4089669 Rebore Kit OE Main Bearing Number(s) 4025224 OE Rod Bearing Number(s) 3969562, 4893693	Kit Number Rebore Kit Oversizes Main Bearing Set Undersizes Connecting Rod Bearing (Pair) Undersizes Engine Cylinder Head Gasket Set Engine Conversion Gasket Set	409-1039 225-3673 STD-020-040 MS-2329P P-25MM CB-1873AP P-25MM HS54556 CS54556	 6 1 6 1 1		
1.2	Naturally Aspirated Engines OE Main Bearing Number(s) 4955352 OE Rod Bearing Number(s) 3901170	Kit Number Rebore Kit Oversizes Main Bearing Set Undersizes Connecting Rod Bearing (Pair) Undersizes Engine Cylinder Head Gasket Set Oversizes Engine Conversion Gasket Set / Engine Oil Pan Gasket Set	409-1006 225-3526 STD-020-040 MS-2328P P-25MM-50MM-75MM CB-1413P P-25MM-50MM-75MM HS4068 STD-A-B CS4068	 6 1 6 1 1	409-5006 225-3526 STD-020-040 MS-2328P P-25MM-50MM-75MM CB-1413P P-25MM-50MM-75MM HS4068 STD-A-B OS32139	 6 1 6 1 1
1.3	Turbocharged Engines OE Main Bearing Number(s) 4955352 OE Rod Bearing Number(s) 3901170	Kit Number Rebore Kit Oversizes Main Bearing Set Undersizes Connecting Rod Bearing (Pair) Undersizes Engine Cylinder Head Gasket Set Oversizes Engine Conversion Gasket Set / Engine Oil Pan Gasket Set	409-1015 225-3525 STD-020-040 MS-2328P P-25MM-50MM-75MM CB-1413P P-25MM-50MM-75MM HS4068 STD-A-B CS4068	 6 1 6 1 1	409-5015 225-3525 STD-020-040 MS-2328P P-25MM-50MM-75MM CB-1413P P-25MM-50MM-75MM HS4068 STD-A-B OS32139	 6 1 6 1 1

LINE #	NOTES	PART DESCRIPTION	OVERHAUL	QTY	IN-FRAME	QTY
1	Engine Code: '6B-5.9' 6 Cyl, 5.9L / 359 CID, Bore 102.0mm / 4.016", Stroke 120.0mm / 4.724"					1
1.4	Turbocharged and Aftercooled Engines OE Main Bearing Number(s) 4955352 OE Rod Bearing Number(s) 3901170	Kit Number	409-1021	409-5021		
		Rebore Kit	225-3523	6	225-3523	6
		Oversizes	STD-020-040		STD-020-040	
		Main Bearing Set	MS-2328P	1	MS-2328P	1
		Undersizes	P-25MM-50MM-75MM		P-25MM-50MM-75MM	
		Connecting Rod Bearing (Pair)	CB-1413P	6	CB-1413P	6
		Undersizes	P-25MM-50MM-75MM		P-25MM-50MM-75MM	
		Engine Cylinder Head Gasket Set	HS4068	1	HS4068	1
		Oversizes	STD-A-B		STD-A-B	
Engine Conversion Gasket Set / Engine Oil Pan Gasket Set	CS4068	1	OS32139	1		
1.5	Turbocharged and Aftercooled Engines OE Main Bearing Number(s) 4955352 OE Rod Bearing Number(s) 3901170	Kit Number	409-1025	409-5025		
		Rebore Kit	225-3520	6	225-3520	6
		Oversizes	STD-020-040		STD-020-040	
		Main Bearing Set	MS-2328P	1	MS-2328P	1
		Undersizes	P-25MM-50MM-75MM		P-25MM-50MM-75MM	
		Connecting Rod Bearing (Pair)	CB-1413P	6	CB-1413P	6
		Undersizes	P-25MM-50MM-75MM		P-25MM-50MM-75MM	
		Engine Cylinder Head Gasket Set	HS4068	1	HS4068	1
		Oversizes	STD-A-B		STD-A-B	
Engine Conversion Gasket Set / Engine Oil Pan Gasket Set	CS4068	1	OS32139	1		
1.6	Can Replace OE# 3800781, 3800782, 3800783 Pistons OE Main Bearing Number(s) 4955352 OE Rod Bearing Number(s) 3901170	Kit Number	409-1026	409-5026		
		Rebore Kit	225-3355	6	225-3355	6
		Oversizes	STD-020-040		STD-020-040	
		Main Bearing Set	MS-2328P	1	MS-2328P	1
		Undersizes	P-25MM-50MM-75MM		P-25MM-50MM-75MM	
		Connecting Rod Bearing (Pair)	CB-1413P	6	CB-1413P	6
		Undersizes	P-25MM-50MM-75MM		P-25MM-50MM-75MM	
		Engine Cylinder Head Gasket Set	HS54174-1	1	HS54174-1	1
		Engine Conversion Gasket Set / Engine Oil Pan Gasket Set	CS54174	1	OS32139	1

LINE #	NOTES	PART DESCRIPTION	OVERHAUL	QTY	IN-FRAME	QTY
1	Engine Code: '6B-5.9' 6 Cyl, 5.9L / 359 CID, Bore 102.0mm / 4.016", Stroke 120.0mm / 4.724"					1
1.7	OE Main Bearing Number(s) 4955352 OE Rod Bearing Number(s) 3901170	Kit Number	409-1027	409-5027		
		Rebore Kit	225-3354	6	225-3354	6
		Oversizes	STD-020-040		STD-020-040	
		Main Bearing Set	MS-2328P	1	MS-2328P	1
		Undersizes	P-25MM-50MM-75MM		P-25MM-50MM-75MM	
		Connecting Rod Bearing (Pair)	CB-1413P	6	CB-1413P	6
		Undersizes	P-25MM-50MM-75MM		P-25MM-50MM-75MM	
		Engine Cylinder Head Gasket Set	HS54174-1	1	HS54174-1	1
		Engine Conversion Gasket Set / Engine Oil Pan Gasket Set	CS54174	1	OS32139	1
1.8	Contains Rebore Kit OE# 3802764 OE Main Bearing Number(s) 4955352 OE Rod Bearing Number(s) 3901170	Kit Number	409-1029	409-5029		
		Rebore Kit	225-3323.020	6	225-3323.020	6
		Oversizes	STD-		STD-	
		Main Bearing Set	MS-2328P	1	MS-2328P	1
		Undersizes	P-25MM-50MM-75MM		P-25MM-50MM-75MM	
		Connecting Rod Bearing (Pair)	CB-1413P	6	CB-1413P	6
		Undersizes	P-25MM-50MM-75MM		P-25MM-50MM-75MM	
		Engine Cylinder Head Gasket Set	HS4068	1	HS4068	1
		Oversizes	STD-A-B		STD-A-B	
Engine Conversion Gasket Set / Engine Oil Pan Gasket Set	CS4068	1	OS32139	1		
1.9	Contains OE# 3802561 Piston Ceramic Chrome Top Ring Keystone Top Compression Ring Positive Twist Second Ring OE Main Bearing Number(s) 4955352 OE Rod Bearing Number(s) 3901170	Kit Number	409-1030	409-5030		
		Piston	224-3513	6	224-3513	6
		Oversizes	STD-020-040		STD-020-040	
		Ring Set	S42221	6	S42221	6
		Oversizes	STD-020-040		STD-020-040	
		Main Bearing Set	MS-2328P	1	MS-2328P	1
		Undersizes	P-25MM-50MM-75MM		P-25MM-50MM-75MM	
		Connecting Rod Bearing (Pair)	CB-1413P	6	CB-1413P	6
		Undersizes	P-25MM-50MM-75MM		P-25MM-50MM-75MM	
Engine Cylinder Head Gasket Set	HS4068	1	HS4068	1		
Engine Conversion Gasket Set / Engine Oil Pan Gasket Set	CS4068	1	OS32139	1		

LINE #	NOTES	PART DESCRIPTION	OVERHAUL	QTY	IN-FRAME	QTY
1	Engine Code: '6B-5.9' 6 Cyl, 5.9L / 359 CID, Bore 102.0mm / 4.016", Stroke 120.0mm / 4.724"					1
1.10	Contains OE# 3802757 Rebore Kit OE Main Bearing Number(s) 4955352 OE Rod Bearing Number(s) 3901170	Kit Number	409-1035		409-5035	
		Rebore Kit	225-3322	6	225-3322	6
		Oversizes	STD-020-040		STD-020-040	
		Main Bearing Set	MS-2328P	1	MS-2328P	1
		Undersizes	P-25MM-50MM-75MM		P-25MM-50MM-75MM	
		Connecting Rod Bearing (Pair)	CB-1413P	6	CB-1413P	6
		Undersizes	P-25MM-50MM-75MM		P-25MM-50MM-75MM	
		Engine Cylinder Head Gasket Set	HS4068	1	HS4068	1
		Oversizes	STD-A-B		STD-A-B	
		Engine Conversion Gasket Set / Engine Oil Pan Gasket Set	CS4068	1	OS32139	1
1.11	Contains OE# 3802561 Piston Ceramic Chrome Top Ring Keystone Top Compression Ring Reverse Twist Second Ring OE Main Bearing Number(s) 4955352 OE Rod Bearing Number(s) 3901170	Kit Number	409-1037		409-5037	
		Rebore Kit	225-3513	6	225-3513	6
		Oversizes	STD-020-040		STD-020-040	
		Main Bearing Set	MS-2328P	1	MS-2328P	1
		Undersizes	P-25MM-50MM-75MM		P-25MM-50MM-75MM	
		Connecting Rod Bearing (Pair)	CB-1413P	6	CB-1413P	6
		Undersizes	P-25MM-50MM-75MM		P-25MM-50MM-75MM	
		Engine Cylinder Head Gasket Set	HS4068	1	HS4068	1
		Oversizes	STD-A-B		STD-A-B	
		Engine Conversion Gasket Set / Engine Oil Pan Gasket Set	CS4068	1	OS32139	1

LINE #	NOTES	PART DESCRIPTION	OVERHAUL	QTY	IN-FRAME	QTY
2	Engine Code: '4B-3.9' 4 Cyl, 3.9L / 239 CID, Bore 102.0mm / 4.016", Stroke 120.0mm / 4.724"					2
2.1	Naturally Aspirated Engines OE Main Bearing Number(s) 3802010 OE Rod Bearing Number(s) 3901170	Kit Number	409-1003	409-5003		
		Rebore Kit	225-3526	4	225-3526	4
		Oversizes	STD-020-040		STD-020-040	
		Main Bearing Set	MS-1718P	1	MS-1718P	1
		Undersizes	P-25MM-50MM-75MM		P-25MM-50MM-75MM	
		Connecting Rod Bearing (Pair)	CB-1413P	4	CB-1413P	4
		Undersizes	P-25MM-50MM-75MM		P-25MM-50MM-75MM	
		Engine Cylinder Head Gasket Set	HS4961	1	HS4961	1
		Oversizes	STD-2-3		STD-2-3	
		Engine Conversion Gasket Set / Engine Oil Pan Gasket Set	CS4961	1	OS32172	1
2.2	Turbocharged Engines OE Main Bearing Number(s) 3802010 OE Rod Bearing Number(s) 3901170	Kit Number	409-1012	409-5012		
		Rebore Kit	225-3525	4	225-3525	4
		Oversizes	STD-020-040		STD-020-040	
		Main Bearing Set	MS-1718P	1	MS-1718P	1
		Undersizes	P-25MM-50MM-75MM		P-25MM-50MM-75MM	
		Connecting Rod Bearing (Pair)	CB-1413P	4	CB-1413P	4
		Undersizes	P-25MM-50MM-75MM		P-25MM-50MM-75MM	
		Engine Cylinder Head Gasket Set	HS4961	1	HS4961	1
		Oversizes	STD-2-3		STD-2-3	
		Engine Conversion Gasket Set / Engine Oil Pan Gasket Set	CS4961	1	OS32172	1
2.3	Turbocharged and Aftercooled Engines OE Main Bearing Number(s) 3802010 OE Rod Bearing Number(s) 3901170	Kit Number	409-1018	409-5018		
		Rebore Kit	225-3523	4	225-3523	4
		Oversizes	STD-020-040		STD-020-040	
		Main Bearing Set	MS-1718P	1	MS-1718P	1
		Undersizes	P-25MM-50MM-75MM		P-25MM-50MM-75MM	
		Connecting Rod Bearing (Pair)	CB-1413P	4	CB-1413P	4
		Undersizes	P-25MM-50MM-75MM		P-25MM-50MM-75MM	
		Engine Cylinder Head Gasket Set	HS4961	1	HS4961	1
		Oversizes	STD-2-3			
		Engine Conversion Gasket Set / Engine Oil Pan Gasket Set	CS4961	1	OS32172	1

LINE #	NOTES	PART DESCRIPTION	OVERHAUL	QTY	IN-FRAME	QTY
2	Engine Code: '4B-3.9' 4 Cyl, 3.9L / 239 CID, Bore 102.0mm / 4.016", Stroke 120.0mm / 4.724"					2
2.4	Turbocharged and Aftercooled Engines OE Main Bearing Number(s) 3802010 OE Rod Bearing Number(s) 3901170	Kit Number	409-1024		409-5024	
		Rebore Kit	225-3323.020	4	225-3323.020	4
		Oversizes	STD-		STD-	
		Main Bearing Set	MS-1718P	1	MS-1718P	1
		Undersizes	P-25MM-50MM-75MM		P-25MM-50MM-75MM	
		Connecting Rod Bearing (Pair)	CB-1413P	4	CB-1413P	4
		Undersizes	P-25MM-50MM-75MM		P-25MM-50MM-75MM	
		Engine Cylinder Head Gasket Set	HS4961	1	HS4961	1
		Oversizes	STD-2-3		STD-2-3	
		Engine Conversion Gasket Set / Engine Oil Pan Gasket Set	CS4961	1	OS32172	1
2.5	OE Main Bearing Number(s) 3802010 OE Rod Bearing Number(s) 3901170	Kit Number	409-1031		409-5031	
		Piston	224-3513	4	224-3513	4
		Oversizes	STD-020-040		STD-020-040	
		Ring Set	S42221	4	S42221	4
		Oversizes	STD-020-040		STD-020-040	
		Main Bearing Set	MS-1718P	1	MS-1718P	1
		Undersizes	P-25MM-50MM-75MM		P-25MM-50MM-75MM	
		Connecting Rod Bearing (Pair)	CB-1413P	4	CB-1413P	4
		Undersizes	P-25MM-50MM-75MM		P-25MM-50MM-75MM	
		Engine Cylinder Head Gasket Set	HS4961	1	HS4961	1
Engine Conversion Gasket Set / Engine Oil Pan Gasket Set	CS4961	1	OS32172	1		
2.6	OE Main Bearing Number(s) 3802010 OE Rod Bearing Number(s) 3901170	Kit Number	409-1036		409-5036	
		Rebore Kit	225-3513	4	225-3513	4
		Oversizes	STD-020-040		STD-020-040	
		Main Bearing Set	MS-1718P	1	MS-1718P	1
		Undersizes	P-25MM-50MM-75MM		P-25MM-50MM-75MM	
		Connecting Rod Bearing (Pair)	CB-1413P	4	CB-1413P	4
		Undersizes	P-25MM-50MM-75MM		P-25MM-50MM-75MM	
		Engine Cylinder Head Gasket Set	HS4961	1	HS4961	1
		Oversizes	STD-2-3		STD-2-3	
		Engine Conversion Gasket Set / Engine Oil Pan Gasket Set	CS4961	1	OS32172	1

LINE #	NOTES	PART DESCRIPTION	OVERHAUL	QTY	IN-FRAME	QTY
3	Engine Code: '6B-6.7' 6 Cyl, 6.7L / 408 CID, Bore 107.0mm / 4.210", Stroke 124.0mm / 4.080"; Turbocharged					3
3.1	OE Main Bearing Number(s) 4955352 OE Rod Bearing Number(s) 3969562, 4893693	Kit Number	789-1015			
		Piston	224-3732	6		
		Oversizes	STD-020			
		Ring Set	S42140	6		
		Oversizes	STD-020			
		Main Bearing Set	MS-2328P	1		
		Undersizes	P-25MM-50MM-75MM			
		Connecting Rod Bearing (Pair)	CB-1873AP	6		
		Undersizes	P-25MM-50MM-75MM			
		Engine Valve Cover Gasket Set	VS50543	1		
		Engine Cylinder Head Gasket Set	HS54774-1	1		
Engine Conversion Gasket Set	CS54774-1	1				

4	Engine Code: '6C-8.3' 6 Cyl, 8.3L / 505 CID, Bore 114.0mm / 4.488", Stroke 135.1mm / 5.320"; Turbocharged-Aftercooled					4
4.1	Standard C Series Engines Thru 1991 Thin Wall Block Thick Wall Liner OE Main Bearing Number(s) 3945917 OE Rod Bearing Number(s) 3901430	Kit Number	459-1423	459-5423		
		Cylinder Sleeve Assembly	226-1894	6	226-1894	6
		Main Bearing Set	MS-1740P	1	MS-1740P	1
		Undersizes	P-25MM-50MM		P-25MM-50MM	
		Connecting Rod Bearing (Pair)	CB-1409P	6	CB-1409P	6
		Undersizes	P-25MM-50MM-75MM		P-25MM-50MM-75MM	
		Engine Cylinder Head Gasket Set	HS54126	1	HS54126	1
		Engine Conversion Gasket Set / Engine Oil Pan Gasket Set	CS54126-1	1	OS32205	1
4.2	Standard ISC Engines Thru 1991 Thin Wall Block Thick Wall Liner OE Main Bearing Number(s) 3945917 OE Rod Bearing Number(s) 3901430	Kit Number	459-1424	459-5424		
		Cylinder Sleeve Assembly	226-1894	6	226-1894	6
		Main Bearing Set	MS-1740P	1	MS-1740P	1
		Undersizes	P-25MM-50MM		P-25MM-50MM	
		Connecting Rod Bearing (Pair)	CB-1409P	6	CB-1409P	6
		Undersizes	P-25MM-50MM-75MM		P-25MM-50MM-75MM	
		Engine Cylinder Head Gasket Set	HS54132	1	HS54132	1
		Engine Conversion Gasket Set / Engine Oil Pan Gasket Set	CS54132-1	1	OS32205	1

LINE #	NOTES	PART DESCRIPTION	OVERHAUL	QTY	IN-FRAME	QTY
4	Engine Code: '6C-8.3' 6 Cyl, 8.3L / 505 CID, Bore 114.0mm / 4.488", Stroke 135.1mm / 5.320"; Turbocharged-Aftercooled					4
4.3	Standard C Series Engines 1992-Up Thick Wall Block Thin Wall Liner OE Main Bearing Number(s) 3945917 OE Rod Bearing Number(s) 3901430	Kit Number	459-1425		459-5425	
		Cylinder Sleeve Assembly	226-1899	6	226-1899	6
		Main Bearing Set	MS-1740P	1	MS-1740P	1
		Undersizes	P-25MM-50MM		P-25MM-50MM	
		Connecting Rod Bearing (Pair)	CB-1409P	6	CB-1409P	6
		Undersizes	P-25MM-50MM-75MM		P-25MM-50MM-75MM	
		Engine Cylinder Head Gasket Set	HS54126	1	HS54126	1
		Engine Conversion Gasket Set / Engine Oil Pan Gasket Set	CS54126-1	1	OS32205	1
4.4	Standard ISC Engines 1992-Up Thick Wall Block Thin Wall Liner OE Main Bearing Number(s) 3945917 OE Rod Bearing Number(s) 3901430	Kit Number	459-1426		459-5426	
		Cylinder Sleeve Assembly	226-1899	6	226-1899	6
		Main Bearing Set	MS-1740P	1	MS-1740P	1
		Undersizes	P-25MM-50MM		P-25MM-50MM	
		Connecting Rod Bearing (Pair)	CB-1409P	6	CB-1409P	6
		Undersizes	P-25MM-50MM-75MM		P-25MM-50MM-75MM	
		Engine Cylinder Head Gasket Set	HS54132	1	HS54132	1
		Engine Conversion Gasket Set / Engine Oil Pan Gasket Set	CS54132-1	1	OS32205	1
4.5	Standard C Series Select Engines Thru 1991 Thin Wall Block Thick Wall Liner OE Main Bearing Number(s) 3945917 OE Rod Bearing Number(s) 3901430	Kit Number	459-1427		459-5427	
		Cylinder Sleeve Assembly	226-1916	6	226-1916	6
		Main Bearing Set	MS-1740P	1	MS-1740P	1
		Undersizes	P-25MM-50MM		P-25MM-50MM	
		Connecting Rod Bearing (Pair)	CB-1409P	6	CB-1409P	6
		Undersizes	P-25MM-50MM-75MM		P-25MM-50MM-75MM	
		Engine Cylinder Head Gasket Set	HS54126	1	HS54126	1
		Engine Conversion Gasket Set / Engine Oil Pan Gasket Set	CS54126-1	1	OS32205	1
4.6	Standard ISC Series Select Engines Thru 1991 Thin Wall Block Thick Wall Liner OE Main Bearing Number(s) 3945917 OE Rod Bearing Number(s) 3901430	Kit Number	459-1428		459-5428	
		Cylinder Sleeve Assembly	226-1916	6	226-1916	6
		Main Bearing Set	MS-1740P	1	MS-1740P	1
		Undersizes	P-25MM-50MM		P-25MM-50MM	
		Connecting Rod Bearing (Pair)	CB-1409P	6	CB-1409P	6
		Undersizes	P-25MM-50MM-75MM		P-25MM-50MM-75MM	
		Engine Cylinder Head Gasket Set	HS54132	1	HS54132	1
		Engine Conversion Gasket Set / Engine Oil Pan Gasket Set	CS54132-1	1	OS32205	1

LINE #	NOTES	PART DESCRIPTION	OVERHAUL	QTY	IN-FRAME	QTY
4	Engine Code: '6C-8.3' 6 Cyl, 8.3L / 505 CID, Bore 114.0mm / 4.488", Stroke 135.1mm / 5.320"; Turbocharged-Aftercooled					4
4.7	Standard C Series Celect Engines 1992-Up Thick Wall Block Thin Wall Liner OE Main Bearing Number(s) 3945917 OE Rod Bearing Number(s) 3901430	Kit Number	459-1429		459-5429	
		Cylinder Sleeve Assembly	226-1917	6	226-1917	6
		Main Bearing Set	MS-1740P	1	MS-1740P	1
		Undersizes	P-25MM-50MM		P-25MM-50MM	
		Connecting Rod Bearing (Pair)	CB-1409P	6	CB-1409P	6
		Undersizes	P-25MM-50MM-75MM		P-25MM-50MM-75MM	
		Engine Cylinder Head Gasket Set	HS54126	1	HS54126	1
		Engine Conversion Gasket Set / Engine Oil Pan Gasket Set	CS54126-1	1	OS32205	1
4.8	Standard ISC Series Celect Engines 1992-Up Thick Wall Block Thin Wall Liner OE Main Bearing Number(s) 3945917 OE Rod Bearing Number(s) 3901430	Kit Number	459-1430		459-5430	
		Cylinder Sleeve Assembly	226-1917	6	226-1917	6
		Main Bearing Set	MS-1740P	1	MS-1740P	1
		Undersizes	P-25MM-50MM		P-25MM-50MM	
		Connecting Rod Bearing (Pair)	CB-1409P	6	CB-1409P	6
		Undersizes	P-25MM-50MM-75MM		P-25MM-50MM-75MM	
		Engine Cylinder Head Gasket Set	HS54132	1	HS54132	1
		Engine Conversion Gasket Set / Engine Oil Pan Gasket Set	CS54132-1	1	OS32205	1
4.9	Contains OE# 3917707 Piston, 3800328 Liner And 3802429 Ring Set OE Main Bearing Number(s) 3945917 OE Rod Bearing Number(s) 3901430	Kit Number			459-5440	
		Cylinder Sleeve Assembly			226-2058	6
		Main Bearing Set			MS-1740P	1
		Undersizes			P-25MM-50MM	
		Connecting Rod Bearing (Pair)			CB-1409P	6
		Undersizes			P-25MM-50MM-75MM	
		Engine Cylinder Head Gasket Set			HS54126	1
		Engine Oil Pan Gasket Set			OS32205	1
4.10	Contains OE# 3802400 Sleeve Assembly OE Main Bearing Number(s) 3945917 OE Rod Bearing Number(s) 3901430	Kit Number			459-5450	
		Cylinder Sleeve Assembly			226-1948	6
		Main Bearing Set			MS-1740P	1
		Undersizes			P-25MM-50MM	
		Connecting Rod Bearing (Pair)			CB-1409P	6
		Undersizes			P-25MM-50MM-75MM	
		Engine Cylinder Head Gasket Set			HS54126	1
		Engine Oil Pan Gasket Set			OS32205	1

LINE #	NOTES	PART DESCRIPTION	OVERHAUL	QTY	IN-FRAME	QTY
4	Engine Code: '6C-8.3' 6 Cyl, 8.3L / 505 CID, Bore 114.0mm / 4.488", Stroke 135.1mm / 5.320"; Turbocharged-Aftercooled					4
4.11	Thin Wall Block Thick Wall Liner Thru 1991 OE Main Bearing Number(s) 3945917 OE Rod Bearing Number(s) 3901430	Kit Number	459-1491	459-5491		
		Cylinder Sleeve	226-4496	6	226-4496	6
		Piston	224-3326	6	224-3326	6
		Ring Set	S41677	6	S41677	6
		Main Bearing Set	MS-1740P	1	MS-1740P	1
		Undersizes	P-25MM-50MM		P-25MM-50MM	
		Connecting Rod Bearing (Pair)	CB-1409P	6	CB-1409P	6
		Undersizes	P-25MM-50MM		P-25MM-50MM-75MM	
		Engine Cylinder Head Gasket Set	HS54126	1	HS54126	1
		Engine Conversion Gasket Set / Engine Oil Pan Gasket Set	CS54126-1	1	OS32205	1
4.12	Thick Wall Block Thin Wall Liner 1992-Up OE Main Bearing Number(s) 3945917 OE Rod Bearing Number(s) 3901430	Kit Number	459-1492	459-5492		
		Cylinder Sleeve	226-4547	6	226-4547	6
		Piston	224-3326	6	224-3326	6
		Ring Set	S41677	6	S41677	6
		Main Bearing Set	MS-1740P	1	MS-1740P	1
		Undersizes	P-25MM-50MM		P-25MM-50MM	
		Connecting Rod Bearing (Pair)	CB-1409P	6	CB-1409P	6
		Undersizes	P-25MM-50MM		P-25MM-50MM-75MM	
		Engine Cylinder Head Gasket Set	HS54126	1	HS54126	1
		Engine Conversion Gasket Set / Engine Oil Pan Gasket Set	CS54126-1	1	OS32205	1
4.13	Contains OE# 3800328 Liner And 3919930 Piston OE Main Bearing Number(s) 3945917 OE Rod Bearing Number(s) 3901430	Kit Number	459-1493	459-5493		
		Cylinder Sleeve	226-4566	6	226-4566	6
		Piston	224-3326	6	224-3326	6
		Ring Set	S41677	6	S41677	6
		Main Bearing Set	MS-1740P	1	MS-1740P	1
		Undersizes	P-25MM-50MM		P-25MM-50MM	
		Connecting Rod Bearing (Pair)	CB-1409P	6	CB-1409P	6
		Undersizes	P-25MM-50MM-75MM		P-25MM-50MM-75MM	
		Engine Cylinder Head Gasket Set	HS54126	1	HS54126	1
		Engine Conversion Gasket Set / Engine Oil Pan Gasket Set	CS54126-1	1	OS32205	1

LINE #	NOTES	PART DESCRIPTION	OVERHAUL	QTY	IN-FRAME	QTY
5	Engine Code: 'L10' 6 Cyl, 10.0L / 611 CID, Bore 125.0mm / 4.921", Stroke 136.0mm / 5.354"; L10 Turbocharged and Turbocharged w/ Aftercooler.					5
5.1	Narrow L10 STC/CELECT .377" Depth Bowl OE Main Bearing Number(s) 4025125 OE Rod Bearing Number(s) 3016760	Kit Number			459-5414	
		Cylinder Sleeve Assembly			226-1851	6
		Main Bearing Set			MS-1716P	1
		Undersizes			P-25MM-50MM	
		Connecting Rod Bearing (Pair)			CB-1382P	6
		Undersizes			P-25MM-50MM-75MM	
		Engine Cylinder Head Gasket Set			HS54146-1	1
		Engine Oil Pan Gasket Set			OS32209	1
5.2	Horizontal L10 STC/CELECT .377" Depth Bowl OE Main Bearing Number(s) 4025125 OE Rod Bearing Number(s) 3016760	Kit Number			459-5415	
		Cylinder Sleeve Assembly			226-1851	6
		Main Bearing Set			MS-1716P	1
		Undersizes			P-25MM-50MM-75MM	
		Connecting Rod Bearing (Pair)			CB-1382P	6
		Undersizes			P-25MM-50MM-75MM	
		Engine Cylinder Head Gasket Set			HS54146-1	1
		Engine Oil Pan Gasket Set			OS32210	1
5.3	Wide L10 STC/CELECT .377" Depth Bowl OE Main Bearing Number(s) 4025125 OE Rod Bearing Number(s) 3016760	Kit Number	459-1416		459-5416	
		Cylinder Sleeve Assembly	226-1851	6	226-1851	6
		Main Bearing Set	MS-1716P	1	MS-1716P	1
		Undersizes	P-25MM-50MM-75MM		P-25MM-50MM-75MM	
		Connecting Rod Bearing (Pair)	CB-1382P	6	CB-1382P	6
		Undersizes	P-25MM-50MM-75MM		P-25MM-50MM-75MM	
		Engine Cylinder Head Gasket Set	HS54146-1	1	HS54146-1	1
		Engine Conversion Gasket Set / Engine Oil Pan Gasket Set	CS54132	1	OS32219	1
5.4	Narrow L10 STC/CELECT .425" Depth Bowl OE Main Bearing Number(s) 4025125 OE Rod Bearing Number(s) 3016760	Kit Number			459-5417	
		Cylinder Sleeve Assembly			226-1852	6
		Main Bearing Set			MS-1716P	1
		Undersizes			P-25MM-50MM-75MM	
		Connecting Rod Bearing (Pair)			CB-1382P	6
		Undersizes			P-25MM-50MM-75MM	
		Engine Cylinder Head Gasket Set			HS54146-1	1
		Engine Oil Pan Gasket Set			OS32209	1

LINE #	NOTES	PART DESCRIPTION	OVERHAUL	QTY	IN-FRAME	QTY
5	Engine Code: 'L10' 6 Cyl, 10.0L / 611 CID, Bore 125.0mm / 4.921", Stroke 136.0mm / 5.354"; L10 Turbocharged and Turbocharged w/ Aftercooler.					5
5.5	Horizontal L10 STC/CELECT .425" Depth Bowl OE Main Bearing Number(s) 4025125 OE Rod Bearing Number(s) 3016760	Kit Number			459-5418	
		Cylinder Sleeve Assembly			226-1852	6
		Main Bearing Set			MS-1716P	1
		Undersizes			P-25MM-50MM-75MM	
		Connecting Rod Bearing (Pair)			CB-1382P	6
		Undersizes			P-25MM-50MM-75MM	
		Engine Cylinder Head Gasket Set			HS54146-1	1
		Engine Oil Pan Gasket Set			OS32210	1
5.6	Wide L10 STC/CELECT .425" Depth Bowl OE Main Bearing Number(s) 4025125 OE Rod Bearing Number(s) 3016760	Kit Number	459-1419		459-5419	
		Cylinder Sleeve Assembly	226-1852	6	226-1852	6
		Main Bearing Set	MS-1716P	1	MS-1716P	1
		Undersizes	P-25MM-50MM-75MM		P-25MM-50MM-75MM	
		Connecting Rod Bearing (Pair)	CB-1382P	6	CB-1382P	6
		Undersizes	P-25MM-50MM-75MM		P-25MM-50MM-75MM	
		Engine Cylinder Head Gasket Set	HS54146-1	1	HS54146-1	1
		Engine Conversion Gasket Set / Engine Oil Pan Gasket Set	CS54132	1	OS32219	1
5.7	Narrow L10 Standard .377" Depth Bowl OE Main Bearing Number(s) 4025125 OE Rod Bearing Number(s) 3016760	Kit Number	459-1431		459-5431	
		Cylinder Sleeve Assembly	226-1851	6	226-1851	6
		Main Bearing Set	MS-1716P	1	MS-1716P	1
		Undersizes	P-25MM-50MM-75MM		P-25MM-50MM-75MM	
		Connecting Rod Bearing (Pair)	CB-1382P	6	CB-1382P	6
		Undersizes	P-25MM-50MM-75MM		P-25MM-50MM-75MM	
		Engine Cylinder Head Gasket Set	HS54146-2	1	HS54146-2	1
		Engine Conversion Gasket Set / Engine Oil Pan Gasket Set	CS54147	1	OS32209	1

LINE #	NOTES	PART DESCRIPTION	OVERHAUL	QTY	IN-FRAME	QTY
5	Engine Code: 'L10' 6 Cyl, 10.0L / 611 CID, Bore 125.0mm / 4.921", Stroke 136.0mm / 5.354"; L10 Turbocharged and Turbocharged w/ Aftercooler.					5
5.8	Horizontal L10 Standard .377" Depth Bowl OE Main Bearing Number(s) 4025125 OE Rod Bearing Number(s) 3016760	Kit Number	459-1432		459-5432	
		Cylinder Sleeve Assembly	226-1851	6	226-1851	6
		Main Bearing Set	MS-1716P	1	MS-1716P	1
		Undersizes	P-25MM-50MM-75MM		P-25MM-50MM-75MM	
		Connecting Rod Bearing (Pair)	CB-1382P	6	CB-1382P	6
		Undersizes	P-25MM-50MM-75MM		P-25MM-50MM-75MM	
		Engine Cylinder Head Gasket Set	HS54146-2	1	HS54146-2	1
		Engine Conversion Gasket Set / Engine Oil Pan Gasket Set	CS54147-1	1	OS32210	1
5.9	Wide L10 Standard .377" Depth Bowl OE Main Bearing Number(s) 4025125 OE Rod Bearing Number(s) 3016760	Kit Number	459-1433		459-5433	
		Cylinder Sleeve Assembly	226-1851	6	226-1851	6
		Main Bearing Set	MS-1716P	1	MS-1716P	1
		Undersizes	P-25MM-50MM-75MM		P-25MM-50MM-75MM	
		Connecting Rod Bearing (Pair)	CB-1382P	6	CB-1382P	6
		Undersizes	P-25MM-50MM-75MM		P-25MM-50MM-75MM	
		Engine Cylinder Head Gasket Set	HS54146-2	1	HS54146-2	1
		Engine Conversion Gasket Set / Engine Oil Pan Gasket Set	CS54147	1	OS32219	1
5.10	Narrow L10 Standard .425" Depth Bowl OE Main Bearing Number(s) 4025125 OE Rod Bearing Number(s) 3016760	Kit Number	459-1434		459-5434	
		Cylinder Sleeve Assembly	226-1852	6	226-1852	6
		Main Bearing Set	MS-1716P	1	MS-1716P	1
		Undersizes	P-25MM-50MM-75MM		P-25MM-50MM-75MM	
		Connecting Rod Bearing (Pair)	CB-1382P	6	CB-1382P	6
		Undersizes	P-25MM-50MM-75MM		P-25MM-50MM-75MM	
		Engine Cylinder Head Gasket Set	HS54146-2	1	HS54146-2	1
		Engine Conversion Gasket Set / Engine Oil Pan Gasket Set	CS54147	1	OS32209	1

LINE #	NOTES	PART DESCRIPTION	OVERHAUL	QTY	IN-FRAME	QTY
5	Engine Code: 'L10' 6 Cyl, 10.0L / 611 CID, Bore 125.0mm / 4.921", Stroke 136.0mm / 5.354"; L10 Turbocharged and Turbocharged w/ Aftercooler.					5
5.11	Horizontal L10 Standard .425" Depth Bowl OE Main Bearing Number(s) 4025125 OE Rod Bearing Number(s) 3016760	Kit Number	459-1441		459-5435	
		Cylinder Sleeve Assembly	226-1852	6	226-1852	6
		Main Bearing Set	MS-1716P	1	MS-1716P	1
		Undersizes	P-25MM-50MM-75MM		P-25MM-50MM-75MM	
		Connecting Rod Bearing (Pair)	CB-1382P	6	CB-1382P	6
		Undersizes	P-25MM-50MM-75MM		P-25MM-50MM-75MM	
		Engine Cylinder Head Gasket Set	HS54146-2	1	HS54146-2	1
		Engine Conversion Gasket Set / Engine Oil Pan Gasket Set	CS54147-1	1	OS32210	1
5.12	Wide L10 Standard .425" Depth Bowl OE Main Bearing Number(s) 4025125 OE Rod Bearing Number(s) 3016760	Kit Number	459-1436		459-5436	
		Cylinder Sleeve Assembly	226-1852	6	226-1852	6
		Main Bearing Set	MS-1716P	1	MS-1716P	1
		Undersizes	P-25MM-50MM-75MM		P-25MM-50MM-75MM	
		Connecting Rod Bearing (Pair)	CB-1382P	6	CB-1382P	6
		Undersizes	P-25MM-50MM-75MM		P-25MM-50MM-75MM	
		Engine Cylinder Head Gasket Set	HS54146-2	1	HS54146-2	1
		Engine Conversion Gasket Set / Engine Oil Pan Gasket Set	CS54147	1	OS32219	1
5.13	Pistonless Kit From S/N 34853317, Lower Thrust Bearing With Tab Design OE Main Bearing Number(s) 4025120 OE Rod Bearing Number(s) 3016760	Kit Number			459-5499	
		Cylinder Sleeve			226-4546	6
		Ring Set			S41934	6
		Main Bearing Set			MS-2318P	1
		Undersizes			P-25MM-50MM-75MM	
		Connecting Rod Bearing (Pair)			CB-1382P	6
		Undersizes			P-25MM-50MM-75MM	
		Engine Cylinder Head Gasket Set			HS54146-2	1
Engine Oil Pan Gasket Set			OS32219	1		

LINE #	NOTES	PART DESCRIPTION	OVERHAUL	QTY	IN-FRAME	QTY
6	Engine Code: 'M11' 6 Cyl, 10.8L / 661 CID, Bore 125.0mm / 4.921", Stroke 147.1mm / 5.790"; Turbocharged					6
6.1	Pistonless Kit From S/N 34853317, Lower Thrust Bearing With Tab Design OE Main Bearing Number(s) 4025120 OE Rod Bearing Number(s) 3016760	Kit Number			459-5499	
		Cylinder Sleeve			226-4546	6
		Ring Set			S41934	6
		Main Bearing Set			MS-2318P	1
		Undersizes			P-25MM-50MM-75MM	
		Connecting Rod Bearing (Pair)			CB-1382P	6
		Undersizes			P-25MM-50MM-75MM	
		Engine Cylinder Head Gasket Set			HS54146-2	1
		Engine Oil Pan Gasket Set			OS32219	1

7	Engine Code: 'ISX, QSX' 6 Cyl, 15.0L / 912 CID, Bore 137.2mm / 5.400", Stroke 169.0mm / 6.653"					7
7.1	Pistonless Kit, Monotherm Pistons only, Early, Non-EGR, includes pins, locks and early valve cover gasket OE Main Bearing Number(s) 3800298 OE Rod Bearing Number(s) 4089405	Kit Number		459-1500		
		Cylinder Sleeve		226-4596	6	
		Ring Set		S42153	6	
		Lock Ring		223-5540	6	
		Piston Pin		223-1968	6	
		Main Bearing Set		MS-2297P	1	
		Undersizes		P-25MM-50MM		
		Connecting Rod Bearing (Pair)		CB-1908P	6	
		Undersizes		P-25MM-50MM		
		Engine Cylinder Head Gasket Set		HS54775-1	1	
		Engine Valve Cover Gasket		VS50625	1	
		Engine Conversion Gasket Set		CS54775-1	1	
7.2	Pistonless Kit, For Monotherm pistons only, Early, Non-EGR, without pins or clips and early valve cover gasket OE Main Bearing Number(s) 3800298 OE Rod Bearing Number(s) 4089405	Kit Number		459-1501		
		Cylinder Sleeve		226-4596	6	
		Ring Set		S42153	6	
		Main Bearing Set		MS-2297P	1	
		Undersizes		P-25MM-50MM		
		Connecting Rod Bearing (Pair)		CB-1908P	6	
		Undersizes		P-25MM-50MM		
		Engine Cylinder Head Gasket Set		HS54775-1	1	
		Engine Valve Cover Gasket		VS50625	1	
		Engine Conversion Gasket Set		CS54775-1	1	

LINE #	NOTES	PART DESCRIPTION	OVERHAUL	QTY	IN-FRAME	QTY
7	Engine Code: 'ISX, QSX' 6 Cyl, 15.0L / 912 CID, Bore 137.2mm / 5.400", Stroke 169.0mm / 6.653"					7
7.3	ISX Early Model OE Main Bearing Number(s) 3800298 OE Rod Bearing Number(s) 4089405	Kit Number	459-1495	459-5495		
		Cylinder Sleeve	226-4596	6	226-4596	6
		Ring Set	S42153	6	S42153	6
		Lock Ring	223-5540	6	223-5540	6
		Piston Pin	223-1968	6	223-1968	6
		Main Bearing Set	MS-2297P	1	MS-2297P	1
		Undersizes	P-25MM-50MM		P-25MM-50MM	
		Connecting Rod Bearing (Pair)	CB-1908P	6	CB-1908P	6
		Undersizes	P-25MM-50MM		P-25MM-50MM	
		Engine Cylinder Head Gasket Set	HS54775-1	1	HS54775-1	1
		Engine Conversion Gasket Set / Engine Oil Pan Gasket Set	CS54775-1	1	OS32376	1
7.4	ISX Late Model Exhaust Gas Recirculation (EGR) Engines OE Main Bearing Number(s) 3800298 OE Rod Bearing Number(s) 4089405	Kit Number	459-1496	459-5496		
		Cylinder Sleeve	226-4596	6	226-4596	6
		Ring Set	S42153	6	S42153	6
		Lock Ring	223-5540	6	223-5540	6
		Piston Pin	223-1968	6	223-1968	6
		Main Bearing Set	MS-2297P	1	MS-2297P	1
		Undersizes	P-25MM-50MM		P-25MM-50MM	
		Connecting Rod Bearing (Pair)	CB-1908P	6	CB-1908P	6
		Undersizes	P-25MM-50MM		P-25MM-50MM	
		Engine Cylinder Head Gasket Set	HS54775-2	1	HS54775-2	1
		Engine Conversion Gasket Set / Engine Oil Pan Gasket Set	CS54775-2	1	OS32376	1
7.5	ISX Early Model Without Pins or Locks OE Main Bearing Number(s) 3800298 OE Rod Bearing Number(s) 4089405	Kit Number	459-1497	459-5497		
		Cylinder Sleeve	226-4596	6	226-4596	6
		Ring Set	S42153	6	S42153	6
		Main Bearing Set	MS-2297P	1	MS-2297P	1
		Undersizes	P-25MM-50MM		P-25MM-50MM	
		Connecting Rod Bearing (Pair)	CB-1908P	6	CB-1908P	6
		Undersizes	P-25MM-50MM		P-25MM-50MM	
		Engine Cylinder Head Gasket Set	HS54775-1	1	HS54775-1	1
		Engine Conversion Gasket Set / Engine Oil Pan Gasket Set	CS54775-1	1	OS32376	1

LINE #	NOTES	PART DESCRIPTION	OVERHAUL	QTY	IN-FRAME	QTY
7	Engine Code: 'ISX, QSX' 6 Cyl, 15.0L / 912 CID, Bore 137.2mm / 5.400", Stroke 169.0mm / 6.653"					7
7.6	ISX Late Model Exhaust Gas Recirculation (EGR) Engines Without Pins or Locks OE Main Bearing Number(s) 3800298 OE Rod Bearing Number(s) 4089405	Kit Number	459-1498		459-5498	
		Cylinder Sleeve	226-4596	6	226-4596	6
		Ring Set	S42153	6	S42153	6
		Main Bearing Set	MS-2297P	1	MS-2297P	1
		Undersizes	P-25MM-50MM		P-25MM-50MM	
		Connecting Rod Bearing (Pair)	CB-1908P	6	CB-1908P	6
		Undersizes	P-25MM-50MM		P-25MM-50MM	
		Engine Cylinder Head Gasket Set	HS54775-2	1	HS54775-2	1
		Engine Conversion Gasket Set / Engine Oil Pan Gasket Set	CS54775-2	1	OS32376	1

8	Engine Code: 'NT-855 ' 6 Cyl, 14.0L / 855 CID, Bore 139.7mm / 5.500", Stroke 152.4mm / 6.000"; Turbocharged-Aftercooled					8
8.1	Big Cam Connecting Rod Bearings C3 Premium Sleeve Assembly With Standard Size Sleeve OE Main Bearing Number(s) 3801260 OE Rod Bearing Number(s) 214950	Kit Number	459-1010		459-5010	
		Cylinder Sleeve Assembly	226-1905	6	226-1905	6
		Main Bearing Set	MS-1687P	1	MS-1687P	1
		Undersizes	P-10-20-30		P-10-20-30	
		Connecting Rod Bearing (Pair)	CB-1226P	6	CB-1226P	6
		Undersizes	P-10-20-30-40		P-10-20-30-40	
		Engine Cylinder Head Gasket Set / In-frame Overhaul Set	HS5858-3	1	EK3518-1	1
		Engine Conversion Gasket Set	CS5858-4	1		
8.2	Big Cam Connecting Rod Bearings C3 Premium Sleeve Assembly With Standard Size Sleeve OE Main Bearing Number(s) 3801260 OE Rod Bearing Number(s) 214950	Kit Number	459-1183		459-5010	
		Cylinder Sleeve Assembly	226-1905	6	226-1905	6
		Main Bearing Set	MS-1687P	1	MS-1687P	1
		Undersizes	P-10-20-30		P-10-20-30	
		Connecting Rod Bearing (Pair)	CB-1226P	6	CB-1226P	6
		Undersizes	P-10-20-30-40		P-10-20-30-40	
		Engine Cylinder Head Gasket Set / In-frame Overhaul Set	HS5858-3	1	EK3518-1	1
		Engine Conversion Gasket Set	CS5858-5	1		

LINE #	NOTES	PART DESCRIPTION	OVERHAUL	QTY	IN-FRAME	QTY
8	Engine Code: 'NT-855 ' 6 Cyl, 14.0L / 855 CID, Bore 139.7mm / 5.500", Stroke 152.4mm / 6.000"; Turbocharged-Aftercooled					8
8.3	Big Cam Connecting Rod Bearings C3 Premium Sleeve Assembly With Standard Size Sleeve OE Main Bearing Number(s) 3801260 OE Rod Bearing Number(s) 214950	Kit Number	459-1369	459-5010		
		Cylinder Sleeve Assembly	226-1905	6	226-1905	6
		Main Bearing Set	MS-1687P	1	MS-1687P	1
		Undersizes	P-10-20-30		P-10-20-30	
		Connecting Rod Bearing (Pair)	CB-1226P	6	CB-1226P	6
		Undersizes	P-10-20-30-40		P-10-20-30-40	
		Engine Cylinder Head Gasket Set / In-frame Overhaul Set	HS5858-3	1	EK3518-1	1
		Engine Conversion Gasket Set	CS5858-13	1		
8.4	Big Cam Connecting Rod Bearings C3 Premium Sleeve Assembly With Standard Size Sleeve OE Main Bearing Number(s) 3801260 OE Rod Bearing Number(s) 214950	Kit Number	459-1370	459-5010		
		Cylinder Sleeve Assembly	226-1905	6	226-1905	6
		Main Bearing Set	MS-1687P	1	MS-1687P	1
		Undersizes	P-10-20-30		P-10-20-30	
		Connecting Rod Bearing (Pair)	CB-1226P	6	CB-1226P	6
		Undersizes	P-10-20-30-40		P-10-20-30-40	
		Engine Cylinder Head Gasket Set / In-frame Overhaul Set	HS5858-3	1	EK3518-1	1
		Engine Conversion Gasket Set	CS5858-2	1		
8.5	Big Cam Connecting Rod Bearings C3 Premium Sleeve Assembly With 0.020"/0.040" Oversized Lower Press Fit Sleeves OE Main Bearing Number(s) 3801260 OE Rod Bearing Number(s) 214950	Kit Number	459-1011	459-5011		
		Cylinder Sleeve Assembly	226-1907	6	226-1907	6
		Main Bearing Set	MS-1687P	1	MS-1687P	1
		Undersizes	P-10-20-30		P-10-20-30	
		Connecting Rod Bearing (Pair)	CB-1226P	6	CB-1226P	6
		Undersizes	P-10-20-30-40		P-10-20-30-40	
		Engine Cylinder Head Gasket Set / In-frame Overhaul Set	HS5858-3	1	EK3518-1	1
		Engine Conversion Gasket Set	CS5858-4	1		
8.6	Big Cam Connecting Rod Bearings C3 Premium Sleeve Assembly With 0.020"/0.040" Oversized Lower Press Fit Sleeves OE Main Bearing Number(s) 3801260 OE Rod Bearing Number(s) 214950	Kit Number	459-1184	459-5011		
		Cylinder Sleeve Assembly	226-1907	6	226-1907	6
		Main Bearing Set	MS-1687P	1	MS-1687P	1
		Undersizes	P-10-20-30		P-10-20-30	
		Connecting Rod Bearing (Pair)	CB-1226P	6	CB-1226P	6
		Undersizes	P-10-20-30-40		P-10-20-30-40	
		Engine Cylinder Head Gasket Set / In-frame Overhaul Set	HS5858-3	1	EK3518-1	1
		Engine Conversion Gasket Set	CS5858-2	1		

LINE #	NOTES	PART DESCRIPTION	OVERHAUL	QTY	IN-FRAME	QTY
8	Engine Code: 'NT-855 ' 6 Cyl, 14.0L / 855 CID, Bore 139.7mm / 5.500", Stroke 152.4mm / 6.000"; Turbocharged-Aftercooled					8
8.7	Big Cam Connecting Rod Bearings C3 Premium Sleeve Assembly With 0.020"/0.040" Oversized Lower Press Fit Sleeves OE Main Bearing Number(s) 3801260 OE Rod Bearing Number(s) 214950	Kit Number	459-1401	459-5011		
		Cylinder Sleeve Assembly	226-1907	6	226-1907	6
		Main Bearing Set	MS-1687P	1	MS-1687P	1
		Undersizes	P-10-20-30		P-10-20-30	
		Connecting Rod Bearing (Pair)	CB-1226P	6	CB-1226P	6
		Undersizes	P-10-20-30-40		P-10-20-30-40	
		Engine Cylinder Head Gasket Set / In-frame Overhaul Set	HS5858-3	1	EK3518-1	1
Engine Conversion Gasket Set	CS5858-13	1				
8.8	Big Cam Connecting Rod Bearings C3 Premium Sleeve Assembly With 0.020"/0.040" Oversized Lower Press Fit Sleeves OE Main Bearing Number(s) 3801260 OE Rod Bearing Number(s) 214950	Kit Number	459-1402	459-5011		
		Cylinder Sleeve Assembly	226-1907	6	226-1907	6
		Main Bearing Set	MS-1687P	1	MS-1687P	1
		Undersizes	P-10-20-30		P-10-20-30	
		Connecting Rod Bearing (Pair)	CB-1226P	6	CB-1226P	6
		Undersizes	P-10-20-30-40		P-10-20-30-40	
		Engine Cylinder Head Gasket Set / In-frame Overhaul Set	HS5858-3	1	EK3518-1	1
Engine Conversion Gasket Set	CS5858-5	1				
8.9	Big Cam Connecting Rod Bearings Contains OE# 3801764 Sleeve Assembly With Standard Size Sleeve OE Main Bearing Number(s) 3801260 OE Rod Bearing Number(s) 214950	Kit Number	459-1014	459-5014		
		Cylinder Sleeve Assembly	226-1769	6	226-1769	6
		Main Bearing Set	MS-1687P	1	MS-1687P	1
		Undersizes	P-10-20-30		P-10-20-30	
		Connecting Rod Bearing (Pair)	CB-1226P	6	CB-1226P	6
		Undersizes	P-10-20-30-40		P-10-20-30-40	
		Engine Cylinder Head Gasket Set / In-frame Overhaul Set	HS5858-3	1	EK3518-1	1
Engine Conversion Gasket Set	CS5858-2	1				
8.10	Big Cam Connecting Rod Bearings Contains OE# 3801764 Sleeve Assembly With Standard Size Sleeve OE Main Bearing Number(s) 3801260 OE Rod Bearing Number(s) 214950	Kit Number	459-1071	459-5014		
		Cylinder Sleeve Assembly	226-1769	6	226-1769	6
		Main Bearing Set	MS-1687P	1	MS-1687P	1
		Undersizes	P-10-20-30		P-10-20-30	
		Connecting Rod Bearing (Pair)	CB-1226P	6	CB-1226P	6
		Undersizes	P-10-20-30-40		P-10-20-30-40	
		Engine Cylinder Head Gasket Set / In-frame Overhaul Set	HS5858-3	1	EK3518-1	1
Engine Conversion Gasket Set	CS5858-7	1				

LINE #	NOTES	PART DESCRIPTION	OVERHAUL	QTY	IN-FRAME	QTY
8	Engine Code: 'NT-855 ' 6 Cyl, 14.0L / 855 CID, Bore 139.7mm / 5.500", Stroke 152.4mm / 6.000"; Turbocharged-Aftercooled					8
8.11	Big Cam Connecting Rod Bearings Contains OE# 3801764 Sleeve Assembly With Standard Size Sleeve OE Main Bearing Number(s) 3801260 OE Rod Bearing Number(s) 214950	Kit Number	459-1072	459-5014		
		Cylinder Sleeve Assembly	226-1769	6	226-1769	6
		Main Bearing Set	MS-1687P	1	MS-1687P	1
		Undersizes	P-10-20-30		P-10-20-30	
		Connecting Rod Bearing (Pair)	CB-1226P	6	CB-1226P	6
		Undersizes	P-10-20-30-40		P-10-20-30-40	
		Engine Cylinder Head Gasket Set / In-frame Overhaul Set	HS5858-3	1	EK3518-1	1
		Engine Conversion Gasket Set	CS5858-4	1		
8.12	Big Cam Connecting Rod Bearings Contains OE# 3801764 Sleeve Assembly With Standard Size Sleeve OE Main Bearing Number(s) 3801260 OE Rod Bearing Number(s) 214950	Kit Number	459-1073	459-5014		
		Cylinder Sleeve Assembly	226-1769	6	226-1769	6
		Main Bearing Set	MS-1687P	1	MS-1687P	1
		Undersizes	P-10-20-30		P-10-20-30	
		Connecting Rod Bearing (Pair)	CB-1226P	6	CB-1226P	6
		Undersizes	P-10-20-30-40		P-10-20-30-40	
		Engine Cylinder Head Gasket Set / In-frame Overhaul Set	HS5858-3	1	EK3518-1	1
		Engine Conversion Gasket Set	CS5858-13	1		
8.13	Big Cam Connecting Rod Bearings Premium Plus Sleeve Assembly With Standard Size Sleeve OE Main Bearing Number(s) 3801260 OE Rod Bearing Number(s) 214950	Kit Number	459-1015	459-5015		
		Cylinder Sleeve Assembly	226-1748	6	226-1748	6
		Main Bearing Set	MS-1687P	1	MS-1687P	1
		Undersizes	P-10-20-30		P-10-20-30	
		Connecting Rod Bearing (Pair)	CB-1226P	6	CB-1226P	6
		Undersizes	P-10-20-30-40		P-10-20-30-40	
		Engine Cylinder Head Gasket Set / In-frame Overhaul Set	HS5858-3	1	EK3518-1	1
		Engine Conversion Gasket Set	CS5858-2	1		
8.14	Big Cam Connecting Rod Bearings Premium Plus Sleeve Assembly With Standard Size Sleeve OE Main Bearing Number(s) 3801260 OE Rod Bearing Number(s) 214950	Kit Number	459-1074	459-5015		
		Cylinder Sleeve Assembly	226-1748	6	226-1748	6
		Main Bearing Set	MS-1687P	1	MS-1687P	1
		Undersizes	P-10-20-30		P-10-20-30	
		Connecting Rod Bearing (Pair)	CB-1226P	6	CB-1226P	6
		Undersizes	P-10-20-30-40		P-10-20-30-40	
		Engine Cylinder Head Gasket Set / In-frame Overhaul Set	HS5858-3	1	EK3518-1	1
		Engine Conversion Gasket Set	CS5858-7	1		

LINE #	NOTES	PART DESCRIPTION	OVERHAUL	QTY	IN-FRAME	QTY
8	Engine Code: 'NT-855 ' 6 Cyl, 14.0L / 855 CID, Bore 139.7mm / 5.500", Stroke 152.4mm / 6.000"; Turbocharged-Aftercooled					8
8.15	Big Cam Connecting Rod Bearings Premium Plus Sleeve Assembly With Standard Size Sleeve OE Main Bearing Number(s) 3801260 OE Rod Bearing Number(s) 214950	Kit Number	459-1075	459-5015		
		Cylinder Sleeve Assembly	226-1748	6	226-1748	6
		Main Bearing Set	MS-1687P	1	MS-1687P	1
		Undersizes	P-10-20-30		P-10-20-30	
		Connecting Rod Bearing (Pair)	CB-1226P	6	CB-1226P	6
		Undersizes	P-10-20-30-40		P-10-20-30-40	
		Engine Cylinder Head Gasket Set / In-frame Overhaul Set	HS5858-3	1	EK3518-1	1
Engine Conversion Gasket Set	CS5858-4	1				
8.16	Big Cam Connecting Rod Bearings Premium Plus Sleeve Assembly With Standard Size Sleeve OE Main Bearing Number(s) 3801260 OE Rod Bearing Number(s) 214950	Kit Number	459-1076	459-5015		
		Cylinder Sleeve Assembly	226-1748	6	226-1748	6
		Main Bearing Set	MS-1687P	1	MS-1687P	1
		Undersizes	P-10-20-30		P-10-20-30	
		Connecting Rod Bearing (Pair)	CB-1226P	6	CB-1226P	6
		Undersizes	P-10-20-30-40		P-10-20-30-40	
		Engine Cylinder Head Gasket Set / In-frame Overhaul Set	HS5858-3	1	EK3518-1	1
Engine Conversion Gasket Set	CS5858-13	1				
8.17	Big Cam Connecting Rod Bearings Premium Plus Sleeve Assembly With 0.020"/0.040" Oversized Lower Press Fit Sleeves OE Main Bearing Number(s) 3801260 OE Rod Bearing Number(s) 214950	Kit Number	459-1016	459-5016		
		Cylinder Sleeve Assembly	226-1796	6	226-1796	6
		Main Bearing Set	MS-1687P	1	MS-1687P	1
		Undersizes	P-10-20-30		P-10-20-30	
		Connecting Rod Bearing (Pair)	CB-1226P	6	CB-1226P	6
		Undersizes	P-10-20-30-40		P-10-20-30-40	
		Engine Cylinder Head Gasket Set / In-frame Overhaul Set	HS5858-3	1	EK3518-1	1
Engine Conversion Gasket Set	CS5858-2	1				
8.18	Big Cam Connecting Rod Bearings Premium Plus Sleeve Assembly With 0.020"/0.040" Oversized Lower Press Fit Sleeves OE Main Bearing Number(s) 3801260 OE Rod Bearing Number(s) 214950	Kit Number	459-1077	459-5016		
		Cylinder Sleeve Assembly	226-1796	6	226-1796	6
		Main Bearing Set	MS-1687P	1	MS-1687P	1
		Undersizes	P-10-20-30		P-10-20-30	
		Connecting Rod Bearing (Pair)	CB-1226P	6	CB-1226P	6
		Undersizes	P-10-20-30-40		P-10-20-30-40	
		Engine Cylinder Head Gasket Set / In-frame Overhaul Set	HS5858-3	1	EK3518-1	1
Engine Conversion Gasket Set	CS5858-7	1				

LINE #	NOTES	PART DESCRIPTION	OVERHAUL	QTY	IN-FRAME	QTY
8	Engine Code: 'NT-855 ' 6 Cyl, 14.0L / 855 CID, Bore 139.7mm / 5.500", Stroke 152.4mm / 6.000"; Turbocharged-Aftercooled					8
8.19	Big Cam Connecting Rod Bearings Premium Plus Sleeve Assembly With 0.020"/0.040" Oversized Lower Press Fit Sleeves OE Main Bearing Number(s) 3801260 OE Rod Bearing Number(s) 214950	Kit Number	459-1078	459-5016		
		Cylinder Sleeve Assembly	226-1796	6	226-1796	6
		Main Bearing Set	MS-1687P	1	MS-1687P	1
		Undersizes	P-10-20-30		P-10-20-30	
		Connecting Rod Bearing (Pair)	CB-1226P	6	CB-1226P	6
		Undersizes	P-10-20-30-40		P-10-20-30-40	
		Engine Cylinder Head Gasket Set / In-frame Overhaul Set	HS5858-3	1	EK3518-1	1
		Engine Conversion Gasket Set	CS5858-4	1		
8.20	Big Cam Connecting Rod Bearings Premium Plus Sleeve Assembly With 0.020"/0.040" Oversized Lower Press Fit Sleeves OE Main Bearing Number(s) 3801260 OE Rod Bearing Number(s) 214950	Kit Number	459-1079	459-5016		
		Cylinder Sleeve Assembly	226-1796	6	226-1796	6
		Main Bearing Set	MS-1687P	1	MS-1687P	1
		Undersizes	P-10-20-30		P-10-20-30	
		Connecting Rod Bearing (Pair)	CB-1226P	6	CB-1226P	6
		Undersizes	P-10-20-30-40		P-10-20-30-40	
		Engine Cylinder Head Gasket Set / In-frame Overhaul Set	HS5858-3	1	EK3518-1	1
		Engine Conversion Gasket Set	CS5858-13	1		
8.21	Big Cam Connecting Rod Bearings Contains OE# 3801776 Sleeve Assembly With Standard Size Sleeve OE Main Bearing Number(s) 3801260 OE Rod Bearing Number(s) 214950	Kit Number	459-1017	459-5017		
		Cylinder Sleeve Assembly	226-1771	6	226-1771	6
		Main Bearing Set	MS-1687P	1	MS-1687P	1
		Undersizes	P-10-20-30		P-10-20-30	
		Connecting Rod Bearing (Pair)	CB-1226P	6	CB-1226P	6
		Undersizes	P-10-20-30-40		P-10-20-30-40	
		Engine Cylinder Head Gasket Set / In-frame Overhaul Set	HS5858-3	1	EK3518-1	1
		Engine Conversion Gasket Set	CS5858-4	1		
8.22	Big Cam Connecting Rod Bearings Contains OE# 3801776 Sleeve Assembly With Standard Size Sleeve OE Main Bearing Number(s) 3801260 OE Rod Bearing Number(s) 214950	Kit Number	459-1080	459-5017		
		Cylinder Sleeve Assembly	226-1771	6	226-1771	6
		Main Bearing Set	MS-1687P	1	MS-1687P	1
		Undersizes	P-10-20-30		P-10-20-30	
		Connecting Rod Bearing (Pair)	CB-1226P	6	CB-1226P	6
		Undersizes	P-10-20-30-40		P-10-20-30-40	
		Engine Cylinder Head Gasket Set / In-frame Overhaul Set	HS5858-3	1	EK3518-1	1
		Engine Conversion Gasket Set	CS5858-2	1		

LINE #	NOTES	PART DESCRIPTION	OVERHAUL	QTY	IN-FRAME	QTY
8	Engine Code: 'NT-855 ' 6 Cyl, 14.0L / 855 CID, Bore 139.7mm / 5.500", Stroke 152.4mm / 6.000"; Turbocharged-Aftercooled					8
8.23	Big Cam Connecting Rod Bearings Contains OE# 3801776 Sleeve Assembly With Standard Size Sleeve OE Main Bearing Number(s) 3801260 OE Rod Bearing Number(s) 214950	Kit Number	459-1082	459-5017		
		Cylinder Sleeve Assembly	226-1771	6	226-1771	6
		Main Bearing Set	MS-1687P	1	MS-1687P	1
		Undersizes	P-10-20-30		P-10-20-30	
		Connecting Rod Bearing (Pair)	CB-1226P	6	CB-1226P	6
		Undersizes	P-10-20-30-40		P-10-20-30-40	
		Engine Cylinder Head Gasket Set / In-frame Overhaul Set	HS5858-3	1	EK3518-1	1
		Engine Conversion Gasket Set	CS5858-5	1		
8.24	Big Cam Connecting Rod Bearings Contains OE# 3801776 Sleeve Assembly With Standard Size Sleeve OE Main Bearing Number(s) 3801260 OE Rod Bearing Number(s) 214950	Kit Number	459-1442	459-5017		
		Cylinder Sleeve Assembly	226-1771	6	226-1771	6
		Main Bearing Set	MS-1687P	1	MS-1687P	1
		Undersizes	P-10-20-30		P-10-20-30	
		Connecting Rod Bearing (Pair)	CB-1226P	6	CB-1226P	6
		Undersizes	P-10-20-30		P-10-20-30-40	
		Engine Cylinder Head Gasket Set / In-frame Overhaul Set	HS5858-3	1	EK3518-1	1
		Engine Conversion Gasket Set	CS5858-13	1		
8.25	Big Cam Connecting Rod Bearings Premium Plus Sleeve Assembly With Standard Size Sleeve OE Main Bearing Number(s) 3801260 OE Rod Bearing Number(s) 214950	Kit Number	459-1018	459-5018		
		Cylinder Sleeve Assembly	226-1750	6	226-1750	6
		Main Bearing Set	MS-1687P	1	MS-1687P	1
		Undersizes	P-10-20-30		P-10-20-30	
		Connecting Rod Bearing (Pair)	CB-1226P	6	CB-1226P	6
		Undersizes	P-10-20-30-40		P-10-20-30-40	
		Engine Cylinder Head Gasket Set / In-frame Overhaul Set	HS5858-3	1	EK3518-1	1
		Engine Conversion Gasket Set	CS5858-4	1		
8.26	Big Cam Connecting Rod Bearings Premium Plus Sleeve Assembly With Standard Size Sleeve OE Main Bearing Number(s) 3801260 OE Rod Bearing Number(s) 214950	Kit Number	459-1085	459-5018		
		Cylinder Sleeve Assembly	226-1750	6	226-1750	6
		Main Bearing Set	MS-1687P	1	MS-1687P	1
		Undersizes	P-10-20-30		P-10-20-30	
		Connecting Rod Bearing (Pair)	CB-1226P	6	CB-1226P	6
		Undersizes	P-10-20-30-40		P-10-20-30-40	
		Engine Cylinder Head Gasket Set / In-frame Overhaul Set	HS5858-3	1	EK3518-1	1
		Engine Conversion Gasket Set	CS5858-5	1		

LINE #	NOTES	PART DESCRIPTION	OVERHAUL	QTY	IN-FRAME	QTY
8	Engine Code: 'NT-855 ' 6 Cyl, 14.0L / 855 CID, Bore 139.7mm / 5.500", Stroke 152.4mm / 6.000"; Turbocharged-Aftercooled					8
8.27	Big Cam Connecting Rod Bearings Premium Plus Sleeve Assembly With 0.020"/0.040" Oversized Lower Press Fit Sleeves OE Main Bearing Number(s) 3801260 OE Rod Bearing Number(s) 214950	Kit Number	459-1019	459-5019		
		Cylinder Sleeve Assembly	226-1794	6	226-1794	6
		Main Bearing Set	MS-1687P	1	MS-1687P	1
		Undersizes	P-10-20-30		P-10-20-30	
		Connecting Rod Bearing (Pair)	CB-1226P	6	CB-1226P	6
		Undersizes	P-10-20-30-40		P-10-20-30-40	
		Engine Cylinder Head Gasket Set / In-frame Overhaul Set	HS5858-3	1	EK3518-1	1
		Engine Conversion Gasket Set	CS5858-4	1		
8.28	Big Cam Connecting Rod Bearings Premium Plus Sleeve Assembly With 0.020"/0.040" Oversized Lower Press Fit Sleeves OE Main Bearing Number(s) 3801260 OE Rod Bearing Number(s) 214950	Kit Number	459-1086	459-5019		
		Cylinder Sleeve Assembly	226-1794	6	226-1794	6
		Main Bearing Set	MS-1687P	1	MS-1687P	1
		Undersizes	P-10-20-30		P-10-20-30	
		Connecting Rod Bearing (Pair)	CB-1226P	6	CB-1226P	6
		Undersizes	P-10-20-30-40		P-10-20-30-40	
		Engine Cylinder Head Gasket Set / In-frame Overhaul Set	HS5858-3	1	EK3518-1	1
		Engine Conversion Gasket Set	CS5858-2	1		
8.29	Big Cam Connecting Rod Bearings Premium Plus Sleeve Assembly With 0.020"/0.040" Oversized Lower Press Fit Sleeves OE Main Bearing Number(s) 3801260 OE Rod Bearing Number(s) 214950	Kit Number	459-1087	459-5019		
		Cylinder Sleeve Assembly	226-1794	6	226-1794	6
		Main Bearing Set	MS-1687P	1	MS-1687P	1
		Undersizes	P-10-20-30		P-10-20-30	
		Connecting Rod Bearing (Pair)	CB-1226P	6	CB-1226P	6
		Undersizes	P-10-20-30-40		P-10-20-30-40	
		Engine Cylinder Head Gasket Set / In-frame Overhaul Set	HS5858-3	1	EK3518-1	1
		Engine Conversion Gasket Set	CS5858-5	1		
8.30	Big Cam Connecting Rod Bearings Premium Plus Sleeve Assembly With 0.020"/0.040" Oversized Lower Press Fit Sleeves OE Main Bearing Number(s) 3801260 OE Rod Bearing Number(s) 214950	Kit Number	459-1443	459-5019		
		Cylinder Sleeve Assembly	226-1794	6	226-1794	6
		Main Bearing Set	MS-1687P	1	MS-1687P	1
		Undersizes	P-10-20-30		P-10-20-30	
		Connecting Rod Bearing (Pair)	CB-1226P	6	CB-1226P	6
		Undersizes	P-10-20-30-40		P-10-20-30-40	
		Engine Cylinder Head Gasket Set / In-frame Overhaul Set	HS5858-3	1	EK3518-1	1
		Engine Conversion Gasket Set	CS5858-13	1		

LINE #	NOTES	PART DESCRIPTION	OVERHAUL	QTY	IN-FRAME	QTY
8	Engine Code: 'NT-855 ' 6 Cyl, 14.0L / 855 CID, Bore 139.7mm / 5.500", Stroke 152.4mm / 6.000"; Turbocharged-Aftercooled					8
8.31	Big Cam Connecting Rod Bearings Contains OE# 3801779 Sleeve Assembly With Standard Size Sleeve OE Main Bearing Number(s) 3801260 OE Rod Bearing Number(s) 214950	Kit Number	459-1020	459-5020		
		Cylinder Sleeve Assembly	226-1772	6	226-1772	6
		Main Bearing Set	MS-1687P	1	MS-1687P	1
		Undersizes	P-10-20-30		P-10-20-30	
		Connecting Rod Bearing (Pair)	CB-1226P	6	CB-1226P	6
		Undersizes	P-10-20-30-40		P-10-20-30-40	
		Engine Cylinder Head Gasket Set / In-frame Overhaul Set	HS5858-3	1	EK3518-1	1
		Engine Conversion Gasket Set	CS5858-2	1		
8.32	Big Cam Connecting Rod Bearings Contains OE# 3801779 Sleeve Assembly With Standard Size Sleeve OE Main Bearing Number(s) 3801260 OE Rod Bearing Number(s) 214950	Kit Number	459-1088	459-5020		
		Cylinder Sleeve Assembly	226-1772	6	226-1772	6
		Main Bearing Set	MS-1687P	1	MS-1687P	1
		Undersizes	P-10-20-30		P-10-20-30	
		Connecting Rod Bearing (Pair)	CB-1226P	6	CB-1226P	6
		Undersizes	P-10-20-30-40		P-10-20-30-40	
		Engine Cylinder Head Gasket Set / In-frame Overhaul Set	HS5858-3	1	EK3518-1	1
		Engine Conversion Gasket Set	CS5858-13	1		
8.33	Big Cam Connecting Rod Bearings Contains OE# 3801779 Sleeve Assembly With Standard Size Sleeve OE Main Bearing Number(s) 3801260 OE Rod Bearing Number(s) 214950	Kit Number	459-1091	459-5020		
		Cylinder Sleeve Assembly	226-1772	6	226-1772	6
		Main Bearing Set	MS-1687P	1	MS-1687P	1
		Undersizes	P-10-20-30		P-10-20-30	
		Connecting Rod Bearing (Pair)	CB-1226P	6	CB-1226P	6
		Undersizes	P-10-20-30-40		P-10-20-30-40	
		Engine Cylinder Head Gasket Set / In-frame Overhaul Set	HS5858-3	1	EK3518-1	1
		Engine Conversion Gasket Set	CS5858-4	1		
8.34	Big Cam Connecting Rod Bearings Contains OE# 3801779 Sleeve Assembly With Standard Size Sleeve OE Main Bearing Number(s) 3801260 OE Rod Bearing Number(s) 214950	Kit Number	459-1092	459-5020		
		Cylinder Sleeve Assembly	226-1772	6	226-1772	6
		Main Bearing Set	MS-1687P	1	MS-1687P	1
		Undersizes	P-10-20-30		P-10-20-30	
		Connecting Rod Bearing (Pair)	CB-1226P	6	CB-1226P	6
		Undersizes	P-10-20-30-40		P-10-20-30-40	
		Engine Cylinder Head Gasket Set / In-frame Overhaul Set	HS5858-3	1	EK3518-1	1
		Engine Conversion Gasket Set	CS5858-5	1		

LINE #	NOTES	PART DESCRIPTION	OVERHAUL	QTY	IN-FRAME	QTY
8	Engine Code: 'NT-855 ' 6 Cyl, 14.0L / 855 CID, Bore 139.7mm / 5.500", Stroke 152.4mm / 6.000"; Turbocharged-Aftercooled					8
8.35	Big Cam Connecting Rod Bearings Premium Plus Sleeve Assembly With Standard Size Sleeve OE Main Bearing Number(s) 3801260 OE Rod Bearing Number(s) 214950	Kit Number	459-1021	459-5021		
		Cylinder Sleeve Assembly	226-1749	6	226-1749	6
		Main Bearing Set	MS-1687P	1	MS-1687P	1
		Undersizes	P-10-20-30		P-10-20-30	
		Connecting Rod Bearing (Pair)	CB-1226P	6	CB-1226P	6
		Undersizes	P-10-20-30-40		P-10-20-30-40	
		Engine Cylinder Head Gasket Set / In-frame Overhaul Set	HS5858-3	1	EK3518-1	1
		Engine Conversion Gasket Set	CS5858-2	1		
8.36	Big Cam Connecting Rod Bearings Premium Plus Sleeve Assembly With Standard Size Sleeve OE Main Bearing Number(s) 3801260 OE Rod Bearing Number(s) 214950	Kit Number	459-1093	459-5021		
		Cylinder Sleeve Assembly	226-1749	6	226-1749	6
		Main Bearing Set	MS-1687P	1	MS-1687P	1
		Undersizes	P-10-20-30		P-10-20-30	
		Connecting Rod Bearing (Pair)	CB-1226P	6	CB-1226P	6
		Undersizes	P-10-20-30-40		P-10-20-30-40	
		Engine Cylinder Head Gasket Set / In-frame Overhaul Set	HS5858-3	1	EK3518-1	1
		Engine Conversion Gasket Set	CS5858-13	1		
8.37	Big Cam Connecting Rod Bearings Premium Plus Sleeve Assembly With Standard Size Sleeve OE Main Bearing Number(s) 3801260 OE Rod Bearing Number(s) 214950	Kit Number	459-1096	459-5021		
		Cylinder Sleeve Assembly	226-1749	6	226-1749	6
		Main Bearing Set	MS-1687P	1	MS-1687P	1
		Undersizes	P-10-20-30		P-10-20-30	
		Connecting Rod Bearing (Pair)	CB-1226P	6	CB-1226P	6
		Undersizes	P-10-20-30-40		P-10-20-30-40	
		Engine Cylinder Head Gasket Set / In-frame Overhaul Set	HS5858-3	1	EK3518-1	1
		Engine Conversion Gasket Set	CS5858-4	1		
8.38	Big Cam Connecting Rod Bearings Premium Plus Sleeve Assembly With Standard Size Sleeve OE Main Bearing Number(s) 3801260 OE Rod Bearing Number(s) 214950	Kit Number	459-1097	459-5021		
		Cylinder Sleeve Assembly	226-1749	6	226-1749	6
		Main Bearing Set	MS-1687P	1	MS-1687P	1
		Undersizes	P-10-20-30		P-10-20-30	
		Connecting Rod Bearing (Pair)	CB-1226P	6	CB-1226P	6
		Undersizes	P-10-20-30-40		P-10-20-30-40	
		Engine Cylinder Head Gasket Set / In-frame Overhaul Set	HS5858-3	1	EK3518-1	1
		Engine Conversion Gasket Set	CS5858-5	1		

LINE #	NOTES	PART DESCRIPTION	OVERHAUL	QTY	IN-FRAME	QTY
8	Engine Code: 'NT-855 ' 6 Cyl, 14.0L / 855 CID, Bore 139.7mm / 5.500", Stroke 152.4mm / 6.000"; Turbocharged-Aftercooled					8
8.39	Big Cam Connecting Rod Bearings Premium Plus Sleeve Assembly With 0.020"/0.040" Oversized Lower Press Fit Sleeves OE Main Bearing Number(s) 3801260 OE Rod Bearing Number(s) 214950	Kit Number	459-1022	459-5022		
		Cylinder Sleeve Assembly	226-1792	6	226-1792	6
		Main Bearing Set	MS-1687P	1	MS-1687P	1
		Undersizes	P-10-20-30		P-10-20-30	
		Connecting Rod Bearing (Pair)	CB-1226P	6	CB-1226P	6
		Undersizes	P-10-20-30-40		P-10-20-30-40	
		Engine Cylinder Head Gasket Set	HS5858-3	1	HS5858-3	1
Engine Conversion Gasket Set / Engine Oil Pan Gasket Set	CS5858-2	1	OS21996	1		
8.40	Big Cam Connecting Rod Bearings Premium Plus Sleeve Assembly With 0.020"/0.040" Oversized Lower Press Fit Sleeves OE Main Bearing Number(s) 3801260 OE Rod Bearing Number(s) 214950	Kit Number	459-1098	459-5022		
		Cylinder Sleeve Assembly	226-1792	6	226-1792	6
		Main Bearing Set	MS-1687P	1	MS-1687P	1
		Undersizes	P-10-20-30		P-10-20-30	
		Connecting Rod Bearing (Pair)	CB-1226P	6	CB-1226P	6
		Undersizes	P-10-20-30-40		P-10-20-30-40	
		Engine Cylinder Head Gasket Set	HS5858-3	1	HS5858-3	1
Engine Conversion Gasket Set / Engine Oil Pan Gasket Set	CS5858-13	1	OS21996	1		
8.41	Big Cam Connecting Rod Bearings Premium Plus Sleeve Assembly With 0.020"/0.040" Oversized Lower Press Fit Sleeves OE Main Bearing Number(s) 3801260 OE Rod Bearing Number(s) 214950	Kit Number	459-1100	459-5022		
		Cylinder Sleeve Assembly	226-1792	6	226-1792	6
		Main Bearing Set	MS-1687P	1	MS-1687P	1
		Undersizes	P-10-20-30		P-10-20-30	
		Connecting Rod Bearing (Pair)	CB-1226P	6	CB-1226P	6
		Undersizes	P-10-20-30-40		P-10-20-30-40	
		Engine Cylinder Head Gasket Set	HS5858-3	1	HS5858-3	1
Engine Conversion Gasket Set / Engine Oil Pan Gasket Set	CS5858-4	1	OS21996	1		
8.42	Big Cam Connecting Rod Bearings Premium Plus Sleeve Assembly With 0.020"/0.040" Oversized Lower Press Fit Sleeves OE Main Bearing Number(s) 3801260 OE Rod Bearing Number(s) 214950	Kit Number	459-1102	459-5022		
		Cylinder Sleeve Assembly	226-1792	6	226-1792	6
		Main Bearing Set	MS-1687P	1	MS-1687P	1
		Undersizes	P-10-20-30		P-10-20-30	
		Connecting Rod Bearing (Pair)	CB-1226P	6	CB-1226P	6
		Undersizes	P-10-20-30-40		P-10-20-30-40	
		Engine Cylinder Head Gasket Set	HS5858-3	1	HS5858-3	1
Engine Conversion Gasket Set / Engine Oil Pan Gasket Set	CS5858-5	1	OS21996	1		

LINE #	NOTES	PART DESCRIPTION	OVERHAUL	QTY	IN-FRAME	QTY
8	Engine Code: 'NT-855 ' 6 Cyl, 14.0L / 855 CID, Bore 139.7mm / 5.500", Stroke 152.4mm / 6.000"; Turbocharged-Aftercooled					8
8.43	Big Cam Connecting Rod Bearings Contains OE# 3801780 Sleeve Assembly With Standard Size Sleeve OE Main Bearing Number(s) 3801260 OE Rod Bearing Number(s) 214950	Kit Number	459-1023	459-5023		
		Cylinder Sleeve Assembly	226-1773	6	226-1773	6
		Main Bearing Set	MS-1687P	1	MS-1687P	1
		Undersizes	P-10-20-30		P-10-20-30	
		Connecting Rod Bearing (Pair)	CB-1226P	6	CB-1226P	6
		Undersizes	P-10-20-30-40		P-10-20-30-40	
		Engine Cylinder Head Gasket Set / In-frame Overhaul Set	HS5858-3	1	EK3518-1	1
		Engine Conversion Gasket Set	CS5858-4	1		
8.44	Big Cam Connecting Rod Bearings Contains OE# 3801780 Sleeve Assembly With Standard Size Sleeve OE Main Bearing Number(s) 3801260 OE Rod Bearing Number(s) 214950	Kit Number	459-1103	459-5023		
		Cylinder Sleeve Assembly	226-1773	6	226-1773	6
		Main Bearing Set	MS-1687P	1	MS-1687P	1
		Undersizes	P-10-20-30		P-10-20-30	
		Connecting Rod Bearing (Pair)	CB-1226P	6	CB-1226P	6
		Undersizes	P-10-20-30-40		P-10-20-30-40	
		Engine Cylinder Head Gasket Set / In-frame Overhaul Set	HS5858-3	1	EK3518-1	1
		Engine Conversion Gasket Set	CS5858-5	1		
8.45	Big Cam Connecting Rod Bearings Contains OE# 3801780 Sleeve Assembly With Standard Size Sleeve OE Main Bearing Number(s) 3801260 OE Rod Bearing Number(s) 214950	Kit Number	459-1104	459-5023		
		Cylinder Sleeve Assembly	226-1773	6	226-1773	6
		Main Bearing Set	MS-1687P	1	MS-1687P	1
		Undersizes	P-10-20-30		P-10-20-30	
		Connecting Rod Bearing (Pair)	CB-1226P	6	CB-1226P	6
		Undersizes	P-10-20-30-40		P-10-20-30-40	
		Engine Cylinder Head Gasket Set / In-frame Overhaul Set	HS5858-3	1	EK3518-1	1
		Engine Conversion Gasket Set	CS5858-13	1		
8.46	Big Cam Connecting Rod Bearings Premium Plus Sleeve Assembly With Standard Size Sleeve OE Main Bearing Number(s) 3801260 OE Rod Bearing Number(s) 214950	Kit Number	459-1024	459-5024		
		Cylinder Sleeve Assembly	226-1745	6	226-1745	6
		Main Bearing Set	MS-1687P	1	MS-1687P	1
		Undersizes	P-10-20-30		P-10-20-30	
		Connecting Rod Bearing (Pair)	CB-1226P	6	CB-1226P	6
		Undersizes	P-10-20-30-40		P-10-20-30-40	
		Engine Cylinder Head Gasket Set / In-frame Overhaul Set	HS5858-3	1	EK3518-1	1
		Engine Conversion Gasket Set	CS5858-4	1		

LINE #	NOTES	PART DESCRIPTION	OVERHAUL	QTY	IN-FRAME	QTY
8	Engine Code: 'NT-855 ' 6 Cyl, 14.0L / 855 CID, Bore 139.7mm / 5.500", Stroke 152.4mm / 6.000"; Turbocharged-Aftercooled					8
8.47	Big Cam Connecting Rod Bearings Premium Plus Sleeve Assembly With Standard Size Sleeve OE Main Bearing Number(s) 3801260 OE Rod Bearing Number(s) 214950	Kit Number	459-1105	459-5024		
		Cylinder Sleeve Assembly	226-1745	6	226-1745	6
		Main Bearing Set	MS-1687P	1	MS-1687P	1
		Undersizes	P-10-20-30		P-10-20-30	
		Connecting Rod Bearing (Pair)	CB-1226P	6	CB-1226P	6
		Undersizes	P-10-20-30-40		P-10-20-30-40	
		Engine Cylinder Head Gasket Set / In-frame Overhaul Set	HS5858-3	1	EK3518-1	1
Engine Conversion Gasket Set	CS5858-5	1				
8.48	Big Cam Connecting Rod Bearings Premium Plus Sleeve Assembly With Standard Size Sleeve OE Main Bearing Number(s) 3801260 OE Rod Bearing Number(s) 214950	Kit Number	459-1106	459-5024		
		Cylinder Sleeve Assembly	226-1745	6	226-1745	6
		Main Bearing Set	MS-1687P	1	MS-1687P	1
		Undersizes	P-10-20-30		P-10-20-30	
		Connecting Rod Bearing (Pair)	CB-1226P	6	CB-1226P	6
		Undersizes	P-10-20-30-40		P-10-20-30-40	
		Engine Cylinder Head Gasket Set / In-frame Overhaul Set	HS5858-3	1	EK3518-1	1
Engine Conversion Gasket Set	CS5858-6	1				
8.49	Big Cam Connecting Rod Bearings Premium Plus Sleeve Assembly With 0.020"/0.040" Oversized Lower Press Fit Sleeves OE Main Bearing Number(s) 3801260 OE Rod Bearing Number(s) 214950	Kit Number	459-1025	459-5025		
		Cylinder Sleeve Assembly	226-1793	6	226-1793	6
		Main Bearing Set	MS-1687P	1	MS-1687P	1
		Undersizes	P-10-20-30		P-10-20-30	
		Connecting Rod Bearing (Pair)	CB-1226P	6	CB-1226P	6
		Undersizes	P-10-20-30-40		P-10-20-30-40	
		Engine Cylinder Head Gasket Set / In-frame Overhaul Set	HS5858-3	1	EK3518-1	1
Engine Conversion Gasket Set	CS5858-4	1				
8.50	Big Cam Connecting Rod Bearings Premium Plus Sleeve Assembly With 0.020"/0.040" Oversized Lower Press Fit Sleeves OE Main Bearing Number(s) 3801260 OE Rod Bearing Number(s) 214950	Kit Number	459-1107	459-5025		
		Cylinder Sleeve Assembly	226-1793	6	226-1793	6
		Main Bearing Set	MS-1687P	1	MS-1687P	1
		Undersizes	P-10-20-30		P-10-20-30	
		Connecting Rod Bearing (Pair)	CB-1226P	6	CB-1226P	6
		Undersizes	P-10-20-30-40		P-10-20-30-40	
		Engine Cylinder Head Gasket Set / In-frame Overhaul Set	HS5858-3	1	EK3518-1	1
Engine Conversion Gasket Set	CS5858-5	1				

LINE #	NOTES	PART DESCRIPTION	OVERHAUL	QTY	IN-FRAME	QTY
8	Engine Code: 'NT-855 ' 6 Cyl, 14.0L / 855 CID, Bore 139.7mm / 5.500", Stroke 152.4mm / 6.000"; Turbocharged-Aftercooled					8
8.51	Big Cam Connecting Rod Bearings Premium Plus Sleeve Assembly With 0.020"/0.040" Oversized Lower Press Fit Sleeves OE Main Bearing Number(s) 3801260 OE Rod Bearing Number(s) 214950	Kit Number	459-1108	459-5025		
		Cylinder Sleeve Assembly	226-1793	6	226-1793	6
		Main Bearing Set	MS-1687P	1	MS-1687P	1
		Undersizes	P-10-20-30		P-10-20-30	
		Connecting Rod Bearing (Pair)	CB-1226P	6	CB-1226P	6
		Undersizes	P-10-20-30-40		P-10-20-30-40	
		Engine Cylinder Head Gasket Set / In-frame Overhaul Set	HS5858-3	1	EK3518-1	1
		Engine Conversion Gasket Set	CS5858-13	1		
8.52	Big Cam Connecting Rod Bearings Requires Turbocharger and Piston Coolers With Standard Size Sleeve OE Main Bearing Number(s) 3801260 OE Rod Bearing Number(s) 214950	Kit Number	459-1032	459-5032		
		Cylinder Sleeve Assembly	226-1747	6	226-1747	6
		Main Bearing Set	MS-1687P	1	MS-1687P	1
		Undersizes	P-10-20-30		P-10-20-30	
		Connecting Rod Bearing (Pair)	CB-1226P	6	CB-1226P	6
		Undersizes	P-10-20-30-40		P-10-20-30-40	
		Engine Cylinder Head Gasket Set / In-frame Overhaul Set	HS5858-3	1	EK3518-1	1
		Engine Conversion Gasket Set	CS5858-7	1		
8.53	Big Cam Connecting Rod Bearings Requires Turbocharger and Piston Coolers With Standard Size Sleeve OE Main Bearing Number(s) 3801260 OE Rod Bearing Number(s) 214950	Kit Number	459-1143	459-5032		
		Cylinder Sleeve Assembly	226-1747	6	226-1747	6
		Main Bearing Set	MS-1687P	1	MS-1687P	1
		Undersizes	P-10-20-30		P-10-20-30	
		Connecting Rod Bearing (Pair)	CB-1226P	6	CB-1226P	6
		Undersizes	P-10-20-30-40		P-10-20-30-40	
		Engine Cylinder Head Gasket Set / In-frame Overhaul Set	HS5858-3	1	EK3518-1	1
		Engine Conversion Gasket Set	CS5858-2	1		
8.54	Big Cam Connecting Rod Bearings Requires Turbocharger and Piston Coolers With Standard Size Sleeve OE Main Bearing Number(s) 3801260 OE Rod Bearing Number(s) 214950	Kit Number	459-1144	459-5032		
		Cylinder Sleeve Assembly	226-1747	6	226-1747	6
		Main Bearing Set	MS-1687P	1	MS-1687P	1
		Undersizes	P-10-20-30		P-10-20-30	
		Connecting Rod Bearing (Pair)	CB-1226P	6	CB-1226P	6
		Undersizes	P-10-20-30-40		P-10-20-30-40	
		Engine Cylinder Head Gasket Set / In-frame Overhaul Set	HS5858-3	1	EK3518-1	1
		Engine Conversion Gasket Set	CS5858-4	1		

LINE #	NOTES	PART DESCRIPTION	OVERHAUL	QTY	IN-FRAME	QTY
8	Engine Code: 'NT-855 ' 6 Cyl, 14.0L / 855 CID, Bore 139.7mm / 5.500", Stroke 152.4mm / 6.000"; Turbocharged-Aftercooled					8
8.55	Big Cam Connecting Rod Bearings Requires Turbocharger and Piston Coolers With Standard Size Sleeve OE Main Bearing Number(s) 3801260 OE Rod Bearing Number(s) 214950	Kit Number	459-1033	459-5033		
		Cylinder Sleeve Assembly	226-1774	6	226-1774	6
		Main Bearing Set	MS-1687P	1	MS-1687P	1
		Undersizes	P-10-20-30		P-10-20-30	
		Connecting Rod Bearing (Pair)	CB-1226P	6	CB-1226P	6
		Undersizes	P-10-20-30-40		P-10-20-30-40	
		Engine Cylinder Head Gasket Set / In-frame Overhaul Set	HS5858-3	1	EK3518-1	1
Engine Conversion Gasket Set	CS5858-13	1				
8.56	Big Cam Connecting Rod Bearings Requires Turbocharger and Piston Coolers With Standard Size Sleeve OE Main Bearing Number(s) 3801260 OE Rod Bearing Number(s) 214950	Kit Number	459-1146	459-5033		
		Cylinder Sleeve Assembly	226-1774	6	226-1774	6
		Main Bearing Set	MS-1687P	1	MS-1687P	1
		Undersizes	P-10-20-30		P-10-20-30	
		Connecting Rod Bearing (Pair)	CB-1226P	6	CB-1226P	6
		Undersizes	P-10-20-30-40		P-10-20-30-40	
		Engine Cylinder Head Gasket Set / In-frame Overhaul Set	HS5858-3	1	EK3518-1	1
Engine Conversion Gasket Set	CS5858-2	1				
8.57	Big Cam Connecting Rod Bearings Requires Turbocharger and Piston Coolers With Standard Size Sleeve OE Main Bearing Number(s) 3801260 OE Rod Bearing Number(s) 214950	Kit Number	459-1147	459-5033		
		Cylinder Sleeve Assembly	226-1774	6	226-1774	6
		Main Bearing Set	MS-1687P	1	MS-1687P	1
		Undersizes	P-10-20-30		P-10-20-30	
		Connecting Rod Bearing (Pair)	CB-1226P	6	CB-1226P	6
		Undersizes	P-10-20-30-40		P-10-20-30-40	
		Engine Cylinder Head Gasket Set / In-frame Overhaul Set	HS5858-3	1	EK3518-1	1
Engine Conversion Gasket Set	CS5858-4	1				
8.58	Big Cam Connecting Rod Bearings Premium Plus Sleeve Assembly With Standard Size Sleeve OE Main Bearing Number(s) 3801260 OE Rod Bearing Number(s) 214950	Kit Number	459-1034	459-5034		
		Cylinder Sleeve Assembly	226-1746	6	226-1746	6
		Main Bearing Set	MS-1687P	1	MS-1687P	1
		Undersizes	P-10-20-30		P-10-20-30	
		Connecting Rod Bearing (Pair)	CB-1226P	6	CB-1226P	6
		Undersizes	P-10-20-30-40		P-10-20-30-40	
		Engine Cylinder Head Gasket Set / In-frame Overhaul Set	HS5858-3	1	EK3518-1	1
Engine Conversion Gasket Set	CS5858-13	1				

LINE #	NOTES	PART DESCRIPTION	OVERHAUL	QTY	IN-FRAME	QTY
8	Engine Code: 'NT-855 ' 6 Cyl, 14.0L / 855 CID, Bore 139.7mm / 5.500", Stroke 152.4mm / 6.000"; Turbocharged-Aftercooled					8
8.59	Big Cam Connecting Rod Bearings Premium Plus Sleeve Assembly With Standard Size Sleeve OE Main Bearing Number(s) 3801260 OE Rod Bearing Number(s) 214950	Kit Number	459-1149		459-5034	
		Cylinder Sleeve Assembly	226-1746	6	226-1746	6
		Main Bearing Set	MS-1687P	1	MS-1687P	1
		Undersizes	P-10-20-30		P-10-20-30	
		Connecting Rod Bearing (Pair)	CB-1226P	6	CB-1226P	6
		Undersizes	P-10-20-30-40		P-10-20-30-40	
		Engine Cylinder Head Gasket Set / In-frame Overhaul Set	HS5858-3	1	EK3518-1	1
		Engine Conversion Gasket Set	CS5858-4	1		
8.60	OE Main Bearing Number(s) 3801260 OE Rod Bearing Number(s) 214950	Kit Number	459-1036		459-5036	
		Cylinder Sleeve Assembly	226-1880	6	226-1880	6
		Main Bearing Set	MS-1687P	1	MS-1687P	1
		Undersizes	P-10-20-30		P-10-20-30	
		Connecting Rod Bearing (Pair)	CB-1226P	6	CB-1226P	6
		Undersizes	P-10-20-30-40		P-10-20-30-40	
		Engine Cylinder Head Gasket Set / In-frame Overhaul Set	HS5858-16	1	EK3520-1	1
		Engine Conversion Gasket Set	CS5858-6	1		
8.61	Big Cam Connecting Rod Bearings Dual Ni-Resist Piston Sleeve Assembly With Standard Size Sleeve OE Main Bearing Number(s) 3801260 OE Rod Bearing Number(s) 214950	Kit Number	459-1038		459-5038	
		Cylinder Sleeve Assembly	226-1831	6	226-1831	6
		Main Bearing Set	MS-1687P	1	MS-1687P	1
		Undersizes	P-10-20-30		P-10-20-30	
		Connecting Rod Bearing (Pair)	CB-1226P	6	CB-1226P	6
		Undersizes	P-10-20-30-40		P-10-20-30-40	
		Engine Cylinder Head Gasket Set / In-frame Overhaul Set	HS5858-3	1	EK3518-1	1
		Engine Conversion Gasket Set	CS5858-2	1		
8.62	Big Cam Connecting Rod Bearings Dual Ni-Resist Piston Sleeve Assembly With Standard Size Sleeve OE Main Bearing Number(s) 3801260 OE Rod Bearing Number(s) 214950	Kit Number	459-1109		459-5038	
		Cylinder Sleeve Assembly	226-1831	6	226-1831	6
		Main Bearing Set	MS-1687P	1	MS-1687P	1
		Undersizes	P-10-20-30		P-10-20-30	
		Connecting Rod Bearing (Pair)	CB-1226P	6	CB-1226P	6
		Undersizes	P-10-20-30-40		P-10-20-30-40	
		Engine Cylinder Head Gasket Set / In-frame Overhaul Set	HS5858-3	1	EK3518-1	1
		Engine Conversion Gasket Set	CS5858-13	1		

LINE #	NOTES	PART DESCRIPTION	OVERHAUL	QTY	IN-FRAME	QTY
8	Engine Code: 'NT-855 ' 6 Cyl, 14.0L / 855 CID, Bore 139.7mm / 5.500", Stroke 152.4mm / 6.000"; Turbocharged-Aftercooled					8
8.63	Big Cam Connecting Rod Bearings Dual Ni-Resist Piston Sleeve Assembly With Standard Size Sleeve OE Main Bearing Number(s) 3801260 OE Rod Bearing Number(s) 214950	Kit Number	459-1110	459-5038		
		Cylinder Sleeve Assembly	226-1831	6	226-1831	6
		Main Bearing Set	MS-1687P	1	MS-1687P	1
		Undersizes	P-10-20-30		P-10-20-30	
		Connecting Rod Bearing (Pair)	CB-1226P	6	CB-1226P	6
		Undersizes	P-10-20-30-40		P-10-20-30-40	
		Engine Cylinder Head Gasket Set / In-frame Overhaul Set	HS5858-3	1	EK3518-1	1
		Engine Conversion Gasket Set	CS5858-4	1		
8.64	Big Cam Connecting Rod Bearings Dual Ni-Resist Piston Sleeve Assembly With Standard Size Sleeve OE Main Bearing Number(s) 3801260 OE Rod Bearing Number(s) 214950	Kit Number	459-1112	459-5038		
		Cylinder Sleeve Assembly	226-1831	6	226-1831	6
		Main Bearing Set	MS-1687P	1	MS-1687P	1
		Undersizes	P-10-20-30		P-10-20-30	
		Connecting Rod Bearing (Pair)	CB-1226P	6	CB-1226P	6
		Undersizes	P-10-20-30-40		P-10-20-30-40	
		Engine Cylinder Head Gasket Set / In-frame Overhaul Set	HS5858-3	1	EK3518-1	1
		Engine Conversion Gasket Set	CS5858-5	1		
8.65	Big Cam Connecting Rod Bearings Dual Ni-Resist Piston Sleeve Assembly With Standard Size Sleeve OE Main Bearing Number(s) 3801260 OE Rod Bearing Number(s) 214950	Kit Number	459-1039	459-5039		
		Cylinder Sleeve Assembly	226-1831	6	226-1831	6
		Main Bearing Set	MS-1687P	1	MS-1687P	1
		Undersizes	P-10-20-30		P-10-20-30	
		Connecting Rod Bearing (Pair)	CB-1226P	6	CB-1226P	6
		Undersizes	P-10-20-30-40		P-10-20-30-40	
		Engine Cylinder Head Gasket Set / In-frame Overhaul Set	HS5858-16	1	EK3520-1	1
		Engine Conversion Gasket Set	CS5858-6	1		
8.66	Big Cam Connecting Rod Bearings Dual Ni-Resist Piston Sleeve Assembly With 0.020"/0.040" Oversized Lower Press Fit Sleeves OE Main Bearing Number(s) 3801260 OE Rod Bearing Number(s) 214950	Kit Number	459-1040	459-5040		
		Cylinder Sleeve Assembly	226-1832	6	226-1832	6
		Main Bearing Set	MS-1687P	1	MS-1687P	1
		Undersizes	P-10-20-30		P-10-20-30	
		Connecting Rod Bearing (Pair)	CB-1226P	6	CB-1226P	6
		Undersizes	P-10-20-30-40		P-10-20-30-40	
		Engine Cylinder Head Gasket Set / In-frame Overhaul Set	HS5858-3	1	EK3518-1	1
		Engine Conversion Gasket Set	CS5858-2	1		

LINE #	NOTES	PART DESCRIPTION	OVERHAUL	QTY	IN-FRAME	QTY
8	Engine Code: 'NT-855 ' 6 Cyl, 14.0L / 855 CID, Bore 139.7mm / 5.500", Stroke 152.4mm / 6.000"; Turbocharged-Aftercooled					8
8.67	Big Cam Connecting Rod Bearings Dual Ni-Resist Piston Sleeve Assembly With 0.020"/0.040" Oversized Lower Press Fit Sleeves OE Main Bearing Number(s) 3801260 OE Rod Bearing Number(s) 214950	Kit Number	459-1113	459-5040		
		Cylinder Sleeve Assembly	226-1832	6	226-1832	6
		Main Bearing Set	MS-1687P	1	MS-1687P	1
		Undersizes	P-10-20-30		P-10-20-30	
		Connecting Rod Bearing (Pair)	CB-1226P	6	CB-1226P	6
		Undersizes	P-10-20-30-40		P-10-20-30-40	
		Engine Cylinder Head Gasket Set / In-frame Overhaul Set	HS5858-3	1	EK3518-1	1
		Engine Conversion Gasket Set	CS5858-13	1		
8.68	Big Cam Connecting Rod Bearings Dual Ni-Resist Piston Sleeve Assembly With 0.020"/0.040" Oversized Lower Press Fit Sleeves OE Main Bearing Number(s) 3801260 OE Rod Bearing Number(s) 214950	Kit Number	459-1114	459-5040		
		Cylinder Sleeve Assembly	226-1832	6	226-1832	6
		Main Bearing Set	MS-1687P	1	MS-1687P	1
		Undersizes	P-10-20-30		P-10-20-30	
		Connecting Rod Bearing (Pair)	CB-1226P	6	CB-1226P	6
		Undersizes	P-10-20-30-40		P-10-20-30-40	
		Engine Cylinder Head Gasket Set / In-frame Overhaul Set	HS5858-3	1	EK3518-1	1
		Engine Conversion Gasket Set	CS5858-4	1		
8.69	Big Cam Connecting Rod Bearings Dual Ni-Resist Piston Sleeve Assembly With 0.020"/0.040" Oversized Lower Press Fit Sleeves OE Main Bearing Number(s) 3801260 OE Rod Bearing Number(s) 214950	Kit Number	459-1116	459-5040		
		Cylinder Sleeve Assembly	226-1832	6	226-1832	6
		Main Bearing Set	MS-1687P	1	MS-1687P	1
		Undersizes	P-10-20-30		P-10-20-30	
		Connecting Rod Bearing (Pair)	CB-1226P	6	CB-1226P	6
		Undersizes	P-10-20-30-40		P-10-20-30-40	
		Engine Cylinder Head Gasket Set / In-frame Overhaul Set	HS5858-3	1	EK3518-1	1
		Engine Conversion Gasket Set	CS5858-5	1		
8.70	Big Cam Connecting Rod Bearings Dual Ni-Resist Piston Sleeve Assembly With 0.020"/0.040" Oversized Lower Press Fit Sleeves OE Main Bearing Number(s) 3801260 OE Rod Bearing Number(s) 214950	Kit Number	459-1041	459-5041		
		Cylinder Sleeve Assembly	226-1832	6	226-1832	6
		Main Bearing Set	MS-1687P	1	MS-1687P	1
		Undersizes	P-10-20-30		P-10-20-30	
		Connecting Rod Bearing (Pair)	CB-1226P	6	CB-1226P	6
		Undersizes	P-10-20-30-40		P-10-20-30-40	
		Engine Cylinder Head Gasket Set / In-frame Overhaul Set	HS5858-16	1	EK3520-1	1
		Engine Conversion Gasket Set	CS5858-6	1		

LINE #	NOTES	PART DESCRIPTION	OVERHAUL	QTY	IN-FRAME	QTY
8	Engine Code: 'NT-855 ' 6 Cyl, 14.0L / 855 CID, Bore 139.7mm / 5.500", Stroke 152.4mm / 6.000"; Turbocharged-Aftercooled					8
8.71	Big Cam Connecting Rod Bearings Requires Turbocharger and Piston Coolers With Standard Size Sleeve OE Main Bearing Number(s) 3801260 OE Rod Bearing Number(s) 214950	Kit Number	459-1042	459-5042		
		Cylinder Sleeve Assembly	226-1770	6	226-1770	6
		Main Bearing Set	MS-1687P	1	MS-1687P	1
		Undersizes	P-10-20-30		P-10-20-30	
		Connecting Rod Bearing (Pair)	CB-1226P	6	CB-1226P	6
		Undersizes	P-10-20-30-40		P-10-20-30-40	
		Engine Cylinder Head Gasket Set / In-frame Overhaul Set	HS5858-3	1	EK3518-1	1
Engine Conversion Gasket Set	CS5858-2	1				
8.72	Big Cam Connecting Rod Bearings Requires Turbocharger and Piston Coolers With Standard Size Sleeve OE Main Bearing Number(s) 3801260 OE Rod Bearing Number(s) 214950	Kit Number	459-1117	459-5042		
		Cylinder Sleeve Assembly	226-1770	6	226-1770	6
		Main Bearing Set	MS-1687P	1	MS-1687P	1
		Undersizes	P-10-20-30		P-10-20-30	
		Connecting Rod Bearing (Pair)	CB-1226P	6	CB-1226P	6
		Undersizes	P-10-20-30-40		P-10-20-30-40	
		Engine Cylinder Head Gasket Set / In-frame Overhaul Set	HS5858-3	1	EK3518-1	1
Engine Conversion Gasket Set	CS5858-4	1				
8.73	Big Cam Connecting Rod Bearings Requires Turbocharger and Piston Coolers With Standard Size Sleeve OE Main Bearing Number(s) 3801260 OE Rod Bearing Number(s) 214950	Kit Number	459-1118	459-5042		
		Cylinder Sleeve Assembly	226-1770	6	226-1770	6
		Main Bearing Set	MS-1687P	1	MS-1687P	1
		Undersizes	P-10-20-30		P-10-20-30	
		Connecting Rod Bearing (Pair)	CB-1226P	6	CB-1226P	6
		Undersizes	P-10-20-30-40		P-10-20-30-40	
		Engine Cylinder Head Gasket Set / In-frame Overhaul Set	HS5858-3	1	EK3518-1	1
Engine Conversion Gasket Set	CS5858-5	1				
8.74	Big Cam Connecting Rod Bearings Requires Turbocharger and Piston Coolers With Standard Size Sleeve OE Main Bearing Number(s) 3801260 OE Rod Bearing Number(s) 214950	Kit Number	459-1119	459-5042		
		Cylinder Sleeve Assembly	226-1770	6	226-1770	6
		Main Bearing Set	MS-1687P	1	MS-1687P	1
		Undersizes	P-10-20-30		P-10-20-30	
		Connecting Rod Bearing (Pair)	CB-1226P	6	CB-1226P	6
		Undersizes	P-10-20-30-40		P-10-20-30-40	
		Engine Cylinder Head Gasket Set / In-frame Overhaul Set	HS5858-3	1	EK3518-1	1
Engine Conversion Gasket Set	CS5858-13	1				

LINE #	NOTES	PART DESCRIPTION	OVERHAUL	QTY	IN-FRAME	QTY
8	Engine Code: 'NT-855 ' 6 Cyl, 14.0L / 855 CID, Bore 139.7mm / 5.500", Stroke 152.4mm / 6.000"; Turbocharged-Aftercooled					8
8.75	Big Cam Connecting Rod Bearings Requires Turbocharger and Piston Coolers With Standard Size Sleeve OE Main Bearing Number(s) 3801260 OE Rod Bearing Number(s) 214950	Kit Number	459-1043	459-5043		
		Cylinder Sleeve Assembly	226-1770	6	226-1770	6
		Main Bearing Set	MS-1687P	1	MS-1687P	1
		Undersizes	P-10-20-30		P-10-20-30	
		Connecting Rod Bearing (Pair)	CB-1226P	6	CB-1226P	6
		Undersizes	P-10-20-30-40		P-10-20-30-40	
		Engine Cylinder Head Gasket Set / In-frame Overhaul Set	HS5858-16	1	EK3520-1	1
		Engine Conversion Gasket Set	CS5858-6	1		
8.76	Big Cam Connecting Rod Bearings Premium Plus Sleeve Assembly With Standard Size Sleeve OE Main Bearing Number(s) 3801260 OE Rod Bearing Number(s) 214950	Kit Number	459-1044	459-5044		
		Cylinder Sleeve Assembly	226-1760	6	226-1760	6
		Main Bearing Set	MS-1687P	1	MS-1687P	1
		Undersizes	P-10-20-30		P-10-20-30	
		Connecting Rod Bearing (Pair)	CB-1226P	6	CB-1226P	6
		Undersizes	P-10-20-30-40		P-10-20-30-40	
		Engine Cylinder Head Gasket Set / In-frame Overhaul Set	HS5858-3	1	EK3518-1	1
		Engine Conversion Gasket Set	CS5858-2	1		
8.77	Big Cam Connecting Rod Bearings Premium Plus Sleeve Assembly With Standard Size Sleeve OE Main Bearing Number(s) 3801260 OE Rod Bearing Number(s) 214950	Kit Number	459-1120	459-5044		
		Cylinder Sleeve Assembly	226-1760	6	226-1760	6
		Main Bearing Set	MS-1687P	1	MS-1687P	1
		Undersizes	P-10-20-30		P-10-20-30	
		Connecting Rod Bearing (Pair)	CB-1226P	6	CB-1226P	6
		Undersizes	P-10-20-30-40		P-10-20-30-40	
		Engine Cylinder Head Gasket Set / In-frame Overhaul Set	HS5858-3	1	EK3518-1	1
		Engine Conversion Gasket Set	CS5858-4	1		
8.78	Big Cam Connecting Rod Bearings Premium Plus Sleeve Assembly With Standard Size Sleeve OE Main Bearing Number(s) 3801260 OE Rod Bearing Number(s) 214950	Kit Number	459-1121	459-5044		
		Cylinder Sleeve Assembly	226-1760	6	226-1760	6
		Main Bearing Set	MS-1687P	1	MS-1687P	1
		Undersizes	P-10-20-30		P-10-20-30	
		Connecting Rod Bearing (Pair)	CB-1226P	6	CB-1226P	6
		Undersizes	P-10-20-30-40		P-10-20-30-40	
		Engine Cylinder Head Gasket Set / In-frame Overhaul Set	HS5858-3	1	EK3518-1	1
		Engine Conversion Gasket Set	CS5858-5	1		

LINE #	NOTES	PART DESCRIPTION	OVERHAUL	QTY	IN-FRAME	QTY
8	Engine Code: 'NT-855 ' 6 Cyl, 14.0L / 855 CID, Bore 139.7mm / 5.500", Stroke 152.4mm / 6.000"; Turbocharged-Aftercooled					8
8.79	Big Cam Connecting Rod Bearings Premium Plus Sleeve Assembly With Standard Size Sleeve OE Main Bearing Number(s) 3801260 OE Rod Bearing Number(s) 214950	Kit Number	459-1122	459-5044		
		Cylinder Sleeve Assembly	226-1760	6	226-1760	6
		Main Bearing Set	MS-1687P	1	MS-1687P	1
		Undersizes	P-10-20-30		P-10-20-30	
		Connecting Rod Bearing (Pair)	CB-1226P	6	CB-1226P	6
		Undersizes	P-10-20-30-40		P-10-20-30-40	
		Engine Cylinder Head Gasket Set / In-frame Overhaul Set	HS5858-3	1	EK3518-1	1
Engine Conversion Gasket Set	CS5858-13	1				
8.80	Big Cam Connecting Rod Bearings Premium Plus Sleeve Assembly With Standard Size Sleeve OE Main Bearing Number(s) 3801260 OE Rod Bearing Number(s) 214950	Kit Number	459-1045	459-5045		
		Cylinder Sleeve Assembly	226-1760	6	226-1760	6
		Main Bearing Set	MS-1687P	1	MS-1687P	1
		Undersizes	P-10-20-30		P-10-20-30	
		Connecting Rod Bearing (Pair)	CB-1226P	6	CB-1226P	6
		Undersizes	P-10-20-30-40		P-10-20-30-40	
		Engine Cylinder Head Gasket Set / In-frame Overhaul Set	HS5858-16	1	EK3520-1	1
Engine Conversion Gasket Set	CS5858-6	1				
8.81	Big Cam Connecting Rod Bearings Dual Ni-Resist Piston Sleeve Assembly With Standard Size Sleeve OE Main Bearing Number(s) 3801260 OE Rod Bearing Number(s) 214950	Kit Number	459-1046	459-5046		
		Cylinder Sleeve Assembly	226-1839	6	226-1839	6
		Main Bearing Set	MS-1687P	1	MS-1687P	1
		Undersizes	P-10-20-30		P-10-20-30	
		Connecting Rod Bearing (Pair)	CB-1226P	6	CB-1226P	6
		Undersizes	P-10-20-30-40		P-10-20-30-40	
		Engine Cylinder Head Gasket Set / In-frame Overhaul Set	HS5858-3	1	EK3518-1	1
Engine Conversion Gasket Set	CS5858-6	1				
8.82	Big Cam Connecting Rod Bearings Dual Ni-Resist Piston Sleeve Assembly With Standard Size Sleeve OE Main Bearing Number(s) 3801260 OE Rod Bearing Number(s) 214950	Kit Number	459-1450	459-5046		
		Cylinder Sleeve Assembly	226-1839	6	226-1839	6
		Main Bearing Set	MS-1687P	1	MS-1687P	1
		Undersizes	P-10-20-30		P-10-20-30	
		Connecting Rod Bearing (Pair)	CB-1226P	6	CB-1226P	6
		Undersizes	P-10-20-30-40		P-10-20-30-40	
		Engine Cylinder Head Gasket Set / In-frame Overhaul Set	HS5858-3	1	EK3518-1	1
Engine Conversion Gasket Set	CS5858-5	1				

LINE #	NOTES	PART DESCRIPTION	OVERHAUL	QTY	IN-FRAME	QTY
8	Engine Code: 'NT-855 ' 6 Cyl, 14.0L / 855 CID, Bore 139.7mm / 5.500", Stroke 152.4mm / 6.000"; Turbocharged-Aftercooled					8
8.83	Big Cam Connecting Rod Bearings Dual Ni-Resist Piston Sleeve Assembly With Standard Size Sleeve OE Main Bearing Number(s) 3801260 OE Rod Bearing Number(s) 214950	Kit Number	459-1047	459-5047		
		Cylinder Sleeve Assembly	226-1839	6	226-1839	6
		Main Bearing Set	MS-1687P	1	MS-1687P	1
		Undersizes	P-10-20-30		P-10-20-30	
		Connecting Rod Bearing (Pair)	CB-1226P	6	CB-1226P	6
		Undersizes	P-10-20-30-40		P-10-20-30-40	
		Engine Cylinder Head Gasket Set / In-frame Overhaul Set	HS5858-16	1	EK3520-1	1
		Engine Conversion Gasket Set	CS5858-6	1		
8.84	Big Cam Connecting Rod Bearings Dual Ni-Resist Piston Sleeve Assembly With 0.020"/0.040" Oversized Lower Press Fit Sleeves OE Main Bearing Number(s) 3801260 OE Rod Bearing Number(s) 214950	Kit Number	459-1048	459-5048		
		Cylinder Sleeve Assembly	226-1840	6	226-1840	6
		Main Bearing Set	MS-1687P	1	MS-1687P	1
		Undersizes	P-10-20-30		P-10-20-30	
		Connecting Rod Bearing (Pair)	CB-1226P	6	CB-1226P	6
		Undersizes	P-10-20-30-40		P-10-20-30-40	
		Engine Cylinder Head Gasket Set / In-frame Overhaul Set	HS5858-3	1	EK3518-1	1
		Engine Conversion Gasket Set	CS5858-6	1		
8.85	Big Cam Connecting Rod Bearings Dual Ni-Resist Piston Sleeve Assembly With 0.020"/0.040" Oversized Lower Press Fit Sleeves OE Main Bearing Number(s) 3801260 OE Rod Bearing Number(s) 214950	Kit Number	459-1447	459-5048		
		Cylinder Sleeve Assembly	226-1840	6	226-1840	6
		Main Bearing Set	MS-1687P	1	MS-1687P	1
		Undersizes	P-10-20-30		P-10-20-30	
		Connecting Rod Bearing (Pair)	CB-1226P	6	CB-1226P	6
		Undersizes	P-10-20-30-40		P-10-20-30-40	
		Engine Cylinder Head Gasket Set / In-frame Overhaul Set	HS5858-3	1	EK3518-1	1
		Engine Conversion Gasket Set	CS5858-5	1		
8.86	Big Cam Connecting Rod Bearings Dual Ni-Resist Piston Sleeve Assembly With 0.020"/0.040" Oversized Lower Press Fit Sleeves OE Main Bearing Number(s) 3801260 OE Rod Bearing Number(s) 214950	Kit Number	459-1049	459-5049		
		Cylinder Sleeve Assembly	226-1840	6	226-1840	6
		Main Bearing Set	MS-1687P	1	MS-1687P	1
		Undersizes	P-10-20-30		P-10-20-30	
		Connecting Rod Bearing (Pair)	CB-1226P	6	CB-1226P	6
		Undersizes	P-10-20-30-40		P-10-20-30-40	
		Engine Cylinder Head Gasket Set / In-frame Overhaul Set	HS5858-16	1	EK3520-1	1
		Engine Conversion Gasket Set	CS5858-6	1		

LINE #	NOTES	PART DESCRIPTION	OVERHAUL	QTY	IN-FRAME	QTY
8	Engine Code: 'NT-855 ' 6 Cyl, 14.0L / 855 CID, Bore 139.7mm / 5.500", Stroke 152.4mm / 6.000"; Turbocharged-Aftercooled					8
8.87	Big Cam Connecting Rod Bearings Dual Ni-Resist Piston Sleeve Assembly With Standard Size Sleeve OE Main Bearing Number(s) 3801260 OE Rod Bearing Number(s) 214950	Kit Number	459-1050	459-5050		
		Cylinder Sleeve Assembly	226-1839	6	226-1839	6
		Main Bearing Set	MS-1687P	1	MS-1687P	1
		Undersizes	P-10-20-30		P-10-20-30	
		Connecting Rod Bearing (Pair)	CB-1226P	6	CB-1226P	6
		Undersizes	P-10-20-30-40		P-10-20-30-40	
		Engine Cylinder Head Gasket Set / In-frame Overhaul Set	HS5858B	1	EK3522VR	1
		Engine Conversion Gasket Set	CS5858-6	1		
8.88	Big Cam Connecting Rod Bearings Dual Ni-Resist Piston Sleeve Assembly With Standard Size Sleeve OE Main Bearing Number(s) 3801260 OE Rod Bearing Number(s) 214950	Kit Number	459-1268	459-5050		
		Cylinder Sleeve Assembly	226-1839	6	226-1839	6
		Main Bearing Set	MS-1687P	1	MS-1687P	1
		Undersizes	P-10-20-30		P-10-20-30	
		Connecting Rod Bearing (Pair)	CB-1226P	6	CB-1226P	6
		Undersizes	P-10-20-30-40		P-10-20-30-40	
		Engine Cylinder Head Gasket Set / In-frame Overhaul Set	HS5858B	1	EK3522VR	1
		Engine Conversion Gasket Set	CS5858-6	1		
8.89	Big Cam Connecting Rod Bearings Dual Ni-Resist Piston Sleeve Assembly With 0.020"/0.040" Oversized Lower Press Fit Sleeves OE Main Bearing Number(s) 3801260 OE Rod Bearing Number(s) 214950	Kit Number	459-1051	459-5051		
		Cylinder Sleeve Assembly	226-1840	6	226-1840	6
		Main Bearing Set	MS-1687P	1	MS-1687P	1
		Undersizes	P-10-20-30		P-10-20-30	
		Connecting Rod Bearing (Pair)	CB-1226P	6	CB-1226P	6
		Undersizes	P-10-20-30-40		P-10-20-30-40	
		Engine Cylinder Head Gasket Set / In-frame Overhaul Set	HS5858B	1	EK3522VR	1
		Engine Conversion Gasket Set	CS5858-6	1		
8.90	Big Cam Connecting Rod Bearings Dual Ni-Resist Piston Sleeve Assembly With Standard Size Sleeve OE Main Bearing Number(s) 3801260 OE Rod Bearing Number(s) 214950	Kit Number	459-1052	459-5052		
		Cylinder Sleeve Assembly	226-1835	6	226-1835	6
		Main Bearing Set	MS-1687P	1	MS-1687P	1
		Undersizes	P-10-20-30		P-10-20-30	
		Connecting Rod Bearing (Pair)	CB-1226P	6	CB-1226P	6
		Undersizes	P-10-20-30-40		P-10-20-30-40	
		Engine Cylinder Head Gasket Set / In-frame Overhaul Set	HS5858-3	1	EK3518-1	1
		Engine Conversion Gasket Set	CS5858-4	1		

LINE #	NOTES	PART DESCRIPTION	OVERHAUL	QTY	IN-FRAME	QTY
8	Engine Code: 'NT-855 ' 6 Cyl, 14.0L / 855 CID, Bore 139.7mm / 5.500", Stroke 152.4mm / 6.000"; Turbocharged-Aftercooled					8
8.91	Big Cam Connecting Rod Bearings Dual Ni-Resist Piston Sleeve Assembly With Standard Size Sleeve OE Main Bearing Number(s) 3801260 OE Rod Bearing Number(s) 214950	Kit Number	459-1132	459-5052		
		Cylinder Sleeve Assembly	226-1835	6	226-1835	6
		Main Bearing Set	MS-1687P	1	MS-1687P	1
		Undersizes	P-10-20-30		P-10-20-30	
		Connecting Rod Bearing (Pair)	CB-1226P	6	CB-1226P	6
		Undersizes	P-10-20-30-40		P-10-20-30-40	
		Engine Cylinder Head Gasket Set / In-frame Overhaul Set	HS5858-3	1	EK3518-1	1
		Engine Conversion Gasket Set	CS5858-5	1		
8.92	Big Cam Connecting Rod Bearings Dual Ni-Resist Piston Sleeve Assembly With Standard Size Sleeve OE Main Bearing Number(s) 3801260 OE Rod Bearing Number(s) 214950	Kit Number	459-1133	459-5052		
		Cylinder Sleeve Assembly	226-1835	6	226-1835	6
		Main Bearing Set	MS-1687P	1	MS-1687P	1
		Undersizes	P-10-20-30		P-10-20-30	
		Connecting Rod Bearing (Pair)	CB-1226P	6	CB-1226P	6
		Undersizes	P-10-20-30-40		P-10-20-30-40	
		Engine Cylinder Head Gasket Set / In-frame Overhaul Set	HS5858-3	1	EK3518-1	1
		Engine Conversion Gasket Set	CS5858-13	1		
8.93	Big Cam Connecting Rod Bearings Dual Ni-Resist Piston Sleeve Assembly With Standard Size Sleeve OE Main Bearing Number(s) 3801260 OE Rod Bearing Number(s) 214950	Kit Number	459-1053	459-5053		
		Cylinder Sleeve Assembly	226-1835	6	226-1835	6
		Main Bearing Set	MS-1687P	1	MS-1687P	1
		Undersizes	P-10-20-30		P-10-20-30	
		Connecting Rod Bearing (Pair)	CB-1226P	6	CB-1226P	6
		Undersizes	P-10-20-30-40		P-10-20-30-40	
		Engine Cylinder Head Gasket Set / In-frame Overhaul Set	HS5858B	1	EK3522VR	1
		Engine Conversion Gasket Set	CS5858-4	1		
8.94	Big Cam Connecting Rod Bearings Dual Ni-Resist Piston Sleeve Assembly With Standard Size Sleeve OE Main Bearing Number(s) 3801260 OE Rod Bearing Number(s) 214950	Kit Number	459-1054	459-5054		
		Cylinder Sleeve Assembly	226-1835	6	226-1835	6
		Main Bearing Set	MS-1687P	1	MS-1687P	1
		Undersizes	P-10-20-30		P-10-20-30	
		Connecting Rod Bearing (Pair)	CB-1226P	6	CB-1226P	6
		Undersizes	P-10-20-30-40		P-10-20-30-40	
		Engine Cylinder Head Gasket Set / In-frame Overhaul Set	HS5858A	1	EK3523VR	1
		Engine Conversion Gasket Set	CS5858-3	1		

LINE #	NOTES	PART DESCRIPTION	OVERHAUL	QTY	IN-FRAME	QTY
8	Engine Code: 'NT-855 ' 6 Cyl, 14.0L / 855 CID, Bore 139.7mm / 5.500", Stroke 152.4mm / 6.000"; Turbocharged-Aftercooled					8
8.95	Big Cam Connecting Rod Bearings Dual Ni-Resist Piston Sleeve Assembly With 0.020"/0.040" Oversized Lower Press Fit Sleeves OE Main Bearing Number(s) 3801260 OE Rod Bearing Number(s) 214950	Kit Number	459-1055	459-5055		
		Cylinder Sleeve Assembly	226-1836	6	226-1836	6
		Main Bearing Set	MS-1687P	1	MS-1687P	1
		Undersizes	P-10-20-30		P-10-20-30	
		Connecting Rod Bearing (Pair)	CB-1226P	6	CB-1226P	6
		Undersizes	P-10-20-30-40		P-10-20-30-40	
		Engine Cylinder Head Gasket Set / In-frame Overhaul Set	HS5858-3	1	EK3518-1	1
		Engine Conversion Gasket Set	CS5858-4	1		
8.96	Big Cam Connecting Rod Bearings Dual Ni-Resist Piston Sleeve Assembly With 0.020"/0.040" Oversized Lower Press Fit Sleeves OE Main Bearing Number(s) 3801260 OE Rod Bearing Number(s) 214950	Kit Number	459-1136	459-5055		
		Cylinder Sleeve Assembly	226-1836	6	226-1836	6
		Main Bearing Set	MS-1687P	1	MS-1687P	1
		Undersizes	P-10-20-30		P-10-20-30	
		Connecting Rod Bearing (Pair)	CB-1226P	6	CB-1226P	6
		Undersizes	P-10-20-30-40		P-10-20-30-40	
		Engine Cylinder Head Gasket Set / In-frame Overhaul Set	HS5858-3	1	EK3518-1	1
		Engine Conversion Gasket Set	CS5858-5	1		
8.97	Big Cam Connecting Rod Bearings Dual Ni-Resist Piston Sleeve Assembly With 0.020"/0.040" Oversized Lower Press Fit Sleeves OE Main Bearing Number(s) 3801260 OE Rod Bearing Number(s) 214950	Kit Number	459-1137	459-5055		
		Cylinder Sleeve Assembly	226-1836	6	226-1836	6
		Main Bearing Set	MS-1687P	1	MS-1687P	1
		Undersizes	P-10-20-30		P-10-20-30	
		Connecting Rod Bearing (Pair)	CB-1226P	6	CB-1226P	6
		Undersizes	P-10-20-30-40		P-10-20-30-40	
		Engine Cylinder Head Gasket Set / In-frame Overhaul Set	HS5858-3	1	EK3518-1	1
		Engine Conversion Gasket Set	CS5858-13	1		
8.98	Big Cam Connecting Rod Bearings Dual Ni-Resist Piston Sleeve Assembly With 0.020"/0.040" Oversized Lower Press Fit Sleeves OE Main Bearing Number(s) 3801260 OE Rod Bearing Number(s) 214950	Kit Number	459-1056	459-5056		
		Cylinder Sleeve Assembly	226-1836	6	226-1836	6
		Main Bearing Set	MS-1687P	1	MS-1687P	1
		Undersizes	P-10-20-30		P-10-20-30	
		Connecting Rod Bearing (Pair)	CB-1226P	6	CB-1226P	6
		Undersizes	P-10-20-30-40		P-10-20-30-40	
		Engine Cylinder Head Gasket Set / In-frame Overhaul Set	HS5858B	1	EK3522VR	1
		Engine Conversion Gasket Set	CS5858-4	1		

LINE #	NOTES	PART DESCRIPTION	OVERHAUL	QTY	IN-FRAME	QTY
8	Engine Code: 'NT-855 ' 6 Cyl, 14.0L / 855 CID, Bore 139.7mm / 5.500", Stroke 152.4mm / 6.000"; Turbocharged-Aftercooled					8
8.99	Big Cam Connecting Rod Bearings Dual Ni-Resist Piston Sleeve Assembly With 0.020"/0.040" Oversized Lower Press Fit Sleeves OE Main Bearing Number(s) 3801260 OE Rod Bearing Number(s) 214950	Kit Number	459-1057	459-5057		
		Cylinder Sleeve Assembly	226-1836	6	226-1836	6
		Main Bearing Set	MS-1687P	1	MS-1687P	1
		Undersizes	P-10-20-30		P-10-20-30	
		Connecting Rod Bearing (Pair)	CB-1226P	6	CB-1226P	6
		Undersizes	P-10-20-30-40		P-10-20-30-40	
		Engine Cylinder Head Gasket Set / In-frame Overhaul Set	HS5858A	1	EK3523VR	1
		Engine Conversion Gasket Set	CS5858-3	1		
8.100	Big Cam Connecting Rod Bearings Dual Ni-Resist Piston Sleeve Assembly With Standard Size Sleeve OE Main Bearing Number(s) 3801260 OE Rod Bearing Number(s) 214950	Kit Number	459-1059	459-5059		
		Cylinder Sleeve Assembly	226-1837	6	226-1837	6
		Main Bearing Set	MS-1687P	1	MS-1687P	1
		Undersizes	P-10-20-30		P-10-20-30	
		Connecting Rod Bearing (Pair)	CB-1226P	6	CB-1226P	6
		Undersizes	P-10-20-30-40		P-10-20-30-40	
		Engine Cylinder Head Gasket Set / In-frame Overhaul Set	HS5858-3	1	EK3518-1	1
		Engine Conversion Gasket Set	CS5858-4	1		
8.101	Big Cam Connecting Rod Bearings Dual Ni-Resist Piston Sleeve Assembly With Standard Size Sleeve OE Main Bearing Number(s) 3801260 OE Rod Bearing Number(s) 214950	Kit Number	459-1154	459-5059		
		Cylinder Sleeve Assembly	226-1837	6	226-1837	6
		Main Bearing Set	MS-1687P	1	MS-1687P	1
		Undersizes	P-10-20-30		P-10-20-30	
		Connecting Rod Bearing (Pair)	CB-1226P	6	CB-1226P	6
		Undersizes	P-10-20-30-40		P-10-20-30-40	
		Engine Cylinder Head Gasket Set / In-frame Overhaul Set	HS5858-3	1	EK3518-1	1
		Engine Conversion Gasket Set	CS5858-5	1		
8.102	Big Cam Connecting Rod Bearings Dual Ni-Resist Piston Sleeve Assembly With Standard Size Sleeve OE Main Bearing Number(s) 3801260 OE Rod Bearing Number(s) 214950	Kit Number	459-1156	459-5059		
		Cylinder Sleeve Assembly	226-1837	6	226-1837	6
		Main Bearing Set	MS-1687P	1	MS-1687P	1
		Undersizes	P-10-20-30		P-10-20-30	
		Connecting Rod Bearing (Pair)	CB-1226P	6	CB-1226P	6
		Undersizes	P-10-20-30-40		P-10-20-30-40	
		Engine Cylinder Head Gasket Set / In-frame Overhaul Set	HS5858-3	1	EK3518-1	1
		Engine Conversion Gasket Set	CS5858-13	1		

LINE #	NOTES	PART DESCRIPTION	OVERHAUL	QTY	IN-FRAME	QTY
8	Engine Code: 'NT-855 ' 6 Cyl, 14.0L / 855 CID, Bore 139.7mm / 5.500", Stroke 152.4mm / 6.000"; Turbocharged-Aftercooled					8
8.103	Big Cam Connecting Rod Bearings Dual Ni-Resist Piston Sleeve Assembly With Standard Size Sleeve OE Main Bearing Number(s) 3801260 OE Rod Bearing Number(s) 214950	Kit Number	459-1060		459-5060	
		Cylinder Sleeve Assembly	226-1837	6	226-1837	6
		Main Bearing Set	MS-1687P	1	MS-1687P	1
		Undersizes	P-10-20-30		P-10-20-30	
		Connecting Rod Bearing (Pair)	CB-1226P	6	CB-1226P	6
		Undersizes	P-10-20-30-40		P-10-20-30-40	
		Engine Cylinder Head Gasket Set / In-frame Overhaul Set	HS5858-16	1	EK3520-1	1
Engine Conversion Gasket Set	CS5858-6	1				
8.104	Big Cam Connecting Rod Bearings Dual Ni-Resist Piston Sleeve Assembly With Standard Size Sleeve OE Main Bearing Number(s) 3801260 OE Rod Bearing Number(s) 214950	Kit Number			459-5061	
		Cylinder Sleeve Assembly			226-1745	6
		Main Bearing Set			MS-1687P	1
		Undersizes			P-10-20-30	
		Connecting Rod Bearing (Pair)			CB-1226P	6
		Undersizes			P-10-20-30-40	
		In-frame Overhaul Set			EK3522VR	1
8.105	Big Cam Connecting Rod Bearings Dual Ni-Resist Piston Sleeve Assembly With Standard Size Sleeve OE Main Bearing Number(s) 3801260 OE Rod Bearing Number(s) 214950	Kit Number	459-1064		459-5064	
		Cylinder Sleeve Assembly	226-1833	6	226-1833	6
		Main Bearing Set	MS-1687P	1	MS-1687P	1
		Undersizes	P-10-20-30		P-10-20-30	
		Connecting Rod Bearing (Pair)	CB-1226P	6	CB-1226P	6
		Undersizes	P-10-20-30-40		P-10-20-30-40	
		Engine Cylinder Head Gasket Set / In-frame Overhaul Set	HS5858-3	1	EK3518-1	1
Engine Conversion Gasket Set	CS5858-4	1				
8.106	Big Cam Connecting Rod Bearings Dual Ni-Resist Piston Sleeve Assembly With Standard Size Sleeve OE Main Bearing Number(s) 3801260 OE Rod Bearing Number(s) 214950	Kit Number	459-1167		459-5064	
		Cylinder Sleeve Assembly	226-1833	6	226-1833	6
		Main Bearing Set	MS-1687P	1	MS-1687P	1
		Undersizes	P-10-20-30		P-10-20-30	
		Connecting Rod Bearing (Pair)	CB-1226P	6	CB-1226P	6
		Undersizes	P-10-20-30-40		P-10-20-30-40	
		Engine Cylinder Head Gasket Set / In-frame Overhaul Set	HS5858-16	1	EK3518-1	1
Engine Conversion Gasket Set	CS5858-6	1				

LINE #	NOTES	PART DESCRIPTION	OVERHAUL	QTY	IN-FRAME	QTY
8	Engine Code: 'NT-855 ' 6 Cyl, 14.0L / 855 CID, Bore 139.7mm / 5.500", Stroke 152.4mm / 6.000"; Turbocharged-Aftercooled					8
8.107	Big Cam Connecting Rod Bearings Dual Ni-Resist Piston Sleeve Assembly With Standard Size Sleeve OE Main Bearing Number(s) 3801260 OE Rod Bearing Number(s) 214950	Kit Number	459-1168	459-5064		
		Cylinder Sleeve Assembly	226-1833	6	226-1833	6
		Main Bearing Set	MS-1687P	1	MS-1687P	1
		Undersizes	P-10-20-30		P-10-20-30	
		Connecting Rod Bearing (Pair)	CB-1226P	6	CB-1226P	6
		Undersizes	P-10-20-30-40		P-10-20-30-40	
		Engine Cylinder Head Gasket Set / In-frame Overhaul Set	HS5858-3	1	EK3518-1	1
		Engine Conversion Gasket Set	CS5858-5	1		
8.108	Big Cam Connecting Rod Bearings Dual Ni-Resist Piston Sleeve Assembly With Standard Size Sleeve OE Main Bearing Number(s) 3801260 OE Rod Bearing Number(s) 214950	Kit Number	459-1444	459-5064		
		Cylinder Sleeve Assembly	226-1833	6	226-1833	6
		Main Bearing Set	MS-1687P	1	MS-1687P	1
		Undersizes	P-10-20-30		P-10-20-30	
		Connecting Rod Bearing (Pair)	CB-1226P	6	CB-1226P	6
		Undersizes	P-10-20-30-40		P-10-20-30-40	
		Engine Cylinder Head Gasket Set / In-frame Overhaul Set	HS5858-3	1	EK3518-1	1
		Engine Conversion Gasket Set	CS5858-13	1		
8.109	Big Cam Connecting Rod Bearings Dual Ni-Resist Piston Sleeve Assembly With Standard Size Sleeve OE Main Bearing Number(s) 3801260 OE Rod Bearing Number(s) 214950	Kit Number	459-1065	459-5065		
		Cylinder Sleeve Assembly	226-1833	6	226-1833	6
		Main Bearing Set	MS-1687P	1	MS-1687P	1
		Undersizes	P-10-20-30		P-10-20-30	
		Connecting Rod Bearing (Pair)	CB-1226P	6	CB-1226P	6
		Undersizes	P-10-20-30-40		P-10-20-30-40	
		Engine Cylinder Head Gasket Set / In-frame Overhaul Set	HS5858-16	1	EK3520-1	1
		Engine Conversion Gasket Set	CS5858-6	1		
8.110	Big Cam Connecting Rod Bearings Dual Ni-Resist Piston Sleeve Assembly With 0.020"/0.040" Oversized Lower Press Fit Sleeves OE Main Bearing Number(s) 3801260 OE Rod Bearing Number(s) 214950	Kit Number	459-1066	459-5066		
		Cylinder Sleeve Assembly	226-1834	6	226-1834	6
		Main Bearing Set	MS-1687P	1	MS-1687P	1
		Undersizes	P-10-20-30		P-10-20-30	
		Connecting Rod Bearing (Pair)	CB-1226P	6	CB-1226P	6
		Undersizes	P-10-20-30-40		P-10-20-30-40	
		Engine Cylinder Head Gasket Set / In-frame Overhaul Set	HS5858-3	1	EK3518-1	1
		Engine Conversion Gasket Set	CS5858-4	1		

LINE #	NOTES	PART DESCRIPTION	OVERHAUL	QTY	IN-FRAME	QTY
8	Engine Code: 'NT-855 ' 6 Cyl, 14.0L / 855 CID, Bore 139.7mm / 5.500", Stroke 152.4mm / 6.000"; Turbocharged-Aftercooled					8
8.111	Big Cam Connecting Rod Bearings Dual Ni-Resist Piston Sleeve Assembly With 0.020"/0.040" Oversized Lower Press Fit Sleeves OE Main Bearing Number(s) 3801260 OE Rod Bearing Number(s) 214950	Kit Number	459-1067	459-5066		
		Cylinder Sleeve Assembly	226-1834	6	226-1834	6
		Main Bearing Set	MS-1687P	1	MS-1687P	1
		Undersizes	P-10-20-30		P-10-20-30	
		Connecting Rod Bearing (Pair)	CB-1226P	6	CB-1226P	6
		Undersizes	P-10-20-30-40		P-10-20-30-40	
		Engine Cylinder Head Gasket Set / In-frame Overhaul Set	HS5858-16	1	EK3518-1	1
		Engine Conversion Gasket Set	CS5858-6	1		
8.112	Big Cam Connecting Rod Bearings Dual Ni-Resist Piston Sleeve Assembly With 0.020"/0.040" Oversized Lower Press Fit Sleeves OE Main Bearing Number(s) 3801260 OE Rod Bearing Number(s) 214950	Kit Number	459-1252	459-5066		
		Cylinder Sleeve Assembly	226-1834	6	226-1834	6
		Main Bearing Set	MS-1687P	1	MS-1687P	1
		Undersizes	P-10-20-30		P-10-20-30	
		Connecting Rod Bearing (Pair)	CB-1226P	6	CB-1226P	6
		Undersizes	P-10-20-30-40		P-10-20-30-40	
		Engine Cylinder Head Gasket Set / In-frame Overhaul Set	HS5858-3	1	EK3518-1	1
		Engine Conversion Gasket Set	CS5858-5	1		
8.113	Big Cam Connecting Rod Bearings Dual Ni-Resist Piston Sleeve Assembly With 0.020"/0.040" Oversized Lower Press Fit Sleeves OE Main Bearing Number(s) 3801260 OE Rod Bearing Number(s) 214950	Kit Number	459-1445	459-5066		
		Cylinder Sleeve Assembly	226-1834	6	226-1834	6
		Main Bearing Set	MS-1687P	1	MS-1687P	1
		Undersizes	P-10-20-30		P-10-20-30	
		Connecting Rod Bearing (Pair)	CB-1226P	6	CB-1226P	6
		Undersizes	P-10-20-30-40		P-10-20-30-40	
		Engine Cylinder Head Gasket Set / In-frame Overhaul Set	HS5858-3	1	EK3518-1	1
		Engine Conversion Gasket Set	CS5858-13	1		
8.114	Big Cam Connecting Rod Bearings Premium Plus Sleeve Assembly With Standard Size Sleeve OE Main Bearing Number(s) 3801260 OE Rod Bearing Number(s) 214950	Kit Number	459-1068	459-5068		
		Cylinder Sleeve Assembly	226-1703	6	226-1703	6
		Main Bearing Set	MS-1687P	1	MS-1687P	1
		Undersizes	P-10-20-30		P-10-20-30	
		Connecting Rod Bearing (Pair)	CB-1226P	6	CB-1226P	6
		Undersizes	P-10-20-30-40		P-10-20-30-40	
		Engine Cylinder Head Gasket Set / In-frame Overhaul Set	HS5858-3	1	EK3518-1	1
		Engine Conversion Gasket Set	CS5858-6	1		

LINE #	NOTES	PART DESCRIPTION	OVERHAUL	QTY	IN-FRAME	QTY
8	Engine Code: 'NT-855 ' 6 Cyl, 14.0L / 855 CID, Bore 139.7mm / 5.500", Stroke 152.4mm / 6.000"; Turbocharged-Aftercooled					8
8.115	Big Cam Connecting Rod Bearings Premium Plus Sleeve Assembly With Standard Size Sleeve OE Main Bearing Number(s) 3801260 OE Rod Bearing Number(s) 214950	Kit Number	459-1440		459-5068	
		Cylinder Sleeve Assembly	226-1703	6	226-1703	6
		Main Bearing Set	MS-1687P	1	MS-1687P	1
		Undersizes	P-10-20-30		P-10-20-30	
		Connecting Rod Bearing (Pair)	CB-1226P	6	CB-1226P	6
		Undersizes	P-10-20-30-40		P-10-20-30-40	
		Engine Cylinder Head Gasket Set / In-frame Overhaul Set	HS5858-3	1	EK3518-1	1
		Engine Conversion Gasket Set	CS5858-13	1		
8.116	Big Cam Connecting Rod Bearings Dual Ni-Resist Piston Sleeve Assembly With 0.020"/0.040" Oversized Lower Press Fit Sleeves OE Main Bearing Number(s) 3801260 OE Rod Bearing Number(s) 214950	Kit Number	459-1069		459-5069	
		Cylinder Sleeve Assembly	226-1834	6	226-1834	6
		Main Bearing Set	MS-1687P	1	MS-1687P	1
		Undersizes	P-10-20-30		P-10-20-30	
		Connecting Rod Bearing (Pair)	CB-1226P	6	CB-1226P	6
		Undersizes	P-10-20-30-40		P-10-20-30-40	
		Engine Cylinder Head Gasket Set / In-frame Overhaul Set	HS5858-16	1	EK3520-1	1
		Engine Conversion Gasket Set	CS5858-6	1		
8.117	Small Cam Connecting Rod Bearings Premium Plus Sleeve Assembly With Standard Size Sleeve OE Main Bearing Number(s) 3801260 OE Rod Bearing Number(s) 203660	Kit Number	459-1090		459-5090	
		Cylinder Sleeve Assembly	226-1745	6	226-1745	6
		Main Bearing Set	MS-1687P	1	MS-1687P	1
		Undersizes	P-10-20-30		P-10-20-30	
		Connecting Rod Bearing (Pair)	CB-625P	6	CB-625P	6
		Undersizes	P-10-20-30		P-10-20-30	
		Engine Cylinder Head Gasket Set / In-frame Overhaul Set	HS5858-3	1	EK3518-1	1
		Engine Conversion Gasket Set	CS5858-13	1		
8.118	Small Cam Connecting Rod Bearings Premium Plus Sleeve Assembly With Standard Size Sleeve OE Main Bearing Number(s) 3801260 OE Rod Bearing Number(s) 203660	Kit Number	459-1095		459-5095	
		Cylinder Sleeve Assembly	226-1746	6	226-1746	6
		Main Bearing Set	MS-1687P	1	MS-1687P	1
		Undersizes	P-10-20-30		P-10-20-30	
		Connecting Rod Bearing (Pair)	CB-625P	6	CB-625P	6
		Undersizes	P-10-20-30		P-10-20-30	
		Engine Cylinder Head Gasket Set / In-frame Overhaul Set	HS5858-3	1	EK3518-1	1
		Engine Conversion Gasket Set	CS5858-4	1		

LINE #	NOTES	PART DESCRIPTION	OVERHAUL	QTY	IN-FRAME	QTY
8	Engine Code: 'NT-855 ' 6 Cyl, 14.0L / 855 CID, Bore 139.7mm / 5.500", Stroke 152.4mm / 6.000"; Turbocharged-Aftercooled					8
8.119	Small Cam Connecting Rod Bearings Premium Plus Sleeve Assembly With Standard Size Sleeve OE Main Bearing Number(s) 3801260 OE Rod Bearing Number(s) 203660	Kit Number	459-1099	459-5095		
		Cylinder Sleeve Assembly	226-1746	6	226-1746	6
		Main Bearing Set	MS-1687P	1	MS-1687P	1
		Undersizes	P-10-20-30		P-10-20-30	
		Connecting Rod Bearing (Pair)	CB-625P	6	CB-625P	6
		Undersizes	P-10-20-30		P-10-20-30	
		Engine Cylinder Head Gasket Set / In-frame Overhaul Set	HS5858-3	1	EK3518-1	1
Engine Conversion Gasket Set	CS5858-13	1				
8.120	Small Cam Connecting Rod Bearings Dual Ni-Resist Piston Sleeve Assembly With Standard Size Sleeve OE Main Bearing Number(s) 3801260 OE Rod Bearing Number(s) 214950	Kit Number	459-1123	459-5123		
		Cylinder Sleeve Assembly	226-1839	6	226-1839	6
		Main Bearing Set	MS-1687P	1	MS-1687P	1
		Undersizes	P-10-20-30		P-10-20-30	
		Connecting Rod Bearing (Pair)	CB-1226P	6	CB-1226P	6
		Undersizes	P-10-20-30-40		P-10-20-30-40	
		Engine Cylinder Head Gasket Set / In-frame Overhaul Set	HS5858A	1	EK3523VR	1
Engine Conversion Gasket Set	CS5858-3	1				
8.121	Small Cam Connecting Rod Bearings Dual Ni-Resist Piston Sleeve Assembly With 0.020"/0.040" Oversized Lower Press Fit Sleeves OE Main Bearing Number(s) 3801260 OE Rod Bearing Number(s) 214950	Kit Number	459-1124	459-5124		
		Cylinder Sleeve Assembly	226-1840	6	226-1840	6
		Main Bearing Set	MS-1687P	1	MS-1687P	1
		Undersizes	P-10-20-30		P-10-20-30	
		Connecting Rod Bearing (Pair)	CB-1226P	6	CB-1226P	6
		Undersizes	P-10-20-30-40		P-10-20-30-40	
		Engine Cylinder Head Gasket Set / In-frame Overhaul Set	HS5858A	1	EK3523VR	1
Engine Conversion Gasket Set	CS5858-3	1				
8.122	Small Cam Connecting Rod Bearings Requires Turbocharger and Piston Coolers With Standard Size Sleeve OE Main Bearing Number(s) 3801260 OE Rod Bearing Number(s) 203660	Kit Number	459-1155	459-5155		
		Cylinder Sleeve Assembly	226-1747	6	226-1747	6
		Main Bearing Set	MS-1687P	1	MS-1687P	1
		Undersizes	P-10-20-30		P-10-20-30	
		Connecting Rod Bearing (Pair)	CB-625P	6	CB-625P	6
		Undersizes	P-10-20-30		P-10-20-30	
		Engine Cylinder Head Gasket Set / In-frame Overhaul Set	HS5858-3	1	EK3518-1	1
Engine Conversion Gasket Set	CS5858-7	1				

LINE #	NOTES	PART DESCRIPTION	OVERHAUL	QTY	IN-FRAME	QTY
8	Engine Code: 'NT-855 ' 6 Cyl, 14.0L / 855 CID, Bore 139.7mm / 5.500", Stroke 152.4mm / 6.000"; Turbocharged-Aftercooled					8
8.123	Small Cam Connecting Rod Bearings Requires Turbocharger and Piston Coolers With Standard Size Sleeve OE Main Bearing Number(s) 3801260 OE Rod Bearing Number(s) 203660	Kit Number	459-1157	459-5155		
		Cylinder Sleeve Assembly	226-1747	6	226-1747	6
		Main Bearing Set	MS-1687P	1	MS-1687P	1
		Undersizes	P-10-20-30		P-10-20-30	
		Connecting Rod Bearing (Pair)	CB-625P	6	CB-625P	6
		Undersizes	P-10-20-30		P-10-20-30	
		Engine Cylinder Head Gasket Set / In-frame Overhaul Set	HS5858-3	1	EK3518-1	1
		Engine Conversion Gasket Set	CS5858-2	1		
8.124	Small Cam Connecting Rod Bearings Premium Plus Sleeve Assembly With Standard Size Sleeve OE Main Bearing Number(s) 3801260 OE Rod Bearing Number(s) 203660	Kit Number	459-1159	459-5159		
		Cylinder Sleeve Assembly	226-1748	6	226-1748	6
		Main Bearing Set	MS-1687P	1	MS-1687P	1
		Undersizes	P-10-20-30		P-10-20-30	
		Connecting Rod Bearing (Pair)	CB-625P	6	CB-625P	6
		Undersizes	P-10-20-30		P-10-20-30	
		Engine Cylinder Head Gasket Set / In-frame Overhaul Set	HS5858-3	1	EK3518-1	1
		Engine Conversion Gasket Set	CS5858-13	1		
8.125	Small Cam Connecting Rod Bearings Premium Plus Sleeve Assembly With Standard Size Sleeve OE Main Bearing Number(s) 3801260 OE Rod Bearing Number(s) 203660	Kit Number	459-1160	459-5159		
		Cylinder Sleeve Assembly	226-1748	6	226-1748	6
		Main Bearing Set	MS-1687P	1	MS-1687P	1
		Undersizes	P-10-20-30		P-10-20-30	
		Connecting Rod Bearing (Pair)	CB-625P	6	CB-625P	6
		Undersizes	P-10-20-30		P-10-20-30	
		Engine Cylinder Head Gasket Set / In-frame Overhaul Set	HS5858-3	1	EK3518-1	1
		Engine Conversion Gasket Set	CS5858-7	1		
8.126	Small Cam Connecting Rod Bearings Premium Plus Sleeve Assembly With Standard Size Sleeve OE Main Bearing Number(s) 3801260 OE Rod Bearing Number(s) 203660	Kit Number	459-1162	459-5159		
		Cylinder Sleeve Assembly	226-1748	6	226-1748	6
		Main Bearing Set	MS-1687P	1	MS-1687P	1
		Undersizes	P-10-20-30		P-10-20-30	
		Connecting Rod Bearing (Pair)	CB-625P	6	CB-625P	6
		Undersizes	P-10-20-30		P-10-20-30	
		Engine Cylinder Head Gasket Set / In-frame Overhaul Set	HS5858-3	1	EK3518-1	1
		Engine Conversion Gasket Set	CS5858-2	1		

LINE #	NOTES	PART DESCRIPTION	OVERHAUL	QTY	IN-FRAME	QTY
8	Engine Code: 'NT-855 ' 6 Cyl, 14.0L / 855 CID, Bore 139.7mm / 5.500", Stroke 152.4mm / 6.000"; Turbocharged-Aftercooled					8
8.127	Small Cam Connecting Rod Bearings Premium Plus Sleeve Assembly With Standard Size Sleeve OE Main Bearing Number(s) 3801260 OE Rod Bearing Number(s) 203660	Kit Number	459-1164	459-5164		
		Cylinder Sleeve Assembly	226-1749	6	226-1749	6
		Main Bearing Set	MS-1687P	1	MS-1687P	1
		Undersizes	P-10-20-30		P-10-20-30	
		Connecting Rod Bearing (Pair)	CB-625P	6	CB-625P	6
		Undersizes	P-10-20-30		P-10-20-30	
		Engine Cylinder Head Gasket Set / In-frame Overhaul Set	HS5858-3	1	EK3518-1	1
		Engine Conversion Gasket Set	CS5858-13	1		
8.128	Small Cam Connecting Rod Bearings Premium Plus Sleeve Assembly With Standard Size Sleeve OE Main Bearing Number(s) 3801260 OE Rod Bearing Number(s) 203660	Kit Number	459-1165	459-5164		
		Cylinder Sleeve Assembly	226-1749	6	226-1749	6
		Main Bearing Set	MS-1687P	1	MS-1687P	1
		Undersizes	P-10-20-30		P-10-20-30	
		Connecting Rod Bearing (Pair)	CB-625P	6	CB-625P	6
		Undersizes	P-10-20-30		P-10-20-30	
		Engine Cylinder Head Gasket Set / In-frame Overhaul Set	HS5858-3	1	EK3518-1	1
		Engine Conversion Gasket Set	CS5858-4	1		
8.129	Small Cam Connecting Rod Bearings Premium Plus Sleeve Assembly With Standard Size Sleeve OE Main Bearing Number(s) 3801260 OE Rod Bearing Number(s) 203660	Kit Number	459-1169	459-5164		
		Cylinder Sleeve Assembly	226-1749	6	226-1749	6
		Main Bearing Set	MS-1687P	1	MS-1687P	1
		Undersizes	P-10-20-30		P-10-20-30	
		Connecting Rod Bearing (Pair)	CB-625P	6	CB-625P	6
		Undersizes	P-10-20-30		P-10-20-30	
		Engine Cylinder Head Gasket Set / In-frame Overhaul Set	HS5858-3	1	EK3518-1	1
		Engine Conversion Gasket Set	CS5858-2	1		
8.130	Small Cam Connecting Rod Bearings Premium Plus Sleeve Assembly With Standard Size Sleeve OE Main Bearing Number(s) 3801260 OE Rod Bearing Number(s) 203660	Kit Number	459-1174	459-5174		
		Cylinder Sleeve Assembly	226-1750	6	226-1750	6
		Main Bearing Set	MS-1687P	1	MS-1687P	1
		Undersizes	P-10-20-30		P-10-20-30	
		Connecting Rod Bearing (Pair)	CB-625P	6	CB-625P	6
		Undersizes	P-10-20-30		P-10-20-30	
		Engine Cylinder Head Gasket Set / In-frame Overhaul Set	HS5858-3	1	EK3518-1	1
		Engine Conversion Gasket Set	CS5858-4	1		

LINE #	NOTES	PART DESCRIPTION	OVERHAUL	QTY	IN-FRAME	QTY
8	Engine Code: 'NT-855 ' 6 Cyl, 14.0L / 855 CID, Bore 139.7mm / 5.500", Stroke 152.4mm / 6.000"; Turbocharged-Aftercooled					8
8.131	Small Cam Connecting Rod Bearings Premium Plus Sleeve Assembly With Standard Size Sleeve OE Main Bearing Number(s) 3801260 OE Rod Bearing Number(s) 203660	Kit Number	459-1175	459-5174		
		Cylinder Sleeve Assembly	226-1750	6	226-1750	6
		Main Bearing Set	MS-1687P	1	MS-1687P	1
		Undersizes	P-10-20-30		P-10-20-30	
		Connecting Rod Bearing (Pair)	CB-625P	6	CB-625P	6
		Undersizes	P-10-20-30		P-10-20-30	
		Engine Cylinder Head Gasket Set / In-frame Overhaul Set	HS5858-3	1	EK3518-1	1
		Engine Conversion Gasket Set	CS5858-2	1		
8.132	Small Cam Connecting Rod Bearings Premium Plus Sleeve Assembly With Standard Size Sleeve OE Main Bearing Number(s) 3801260 OE Rod Bearing Number(s) 203660	Kit Number	459-1176	459-5176		
		Cylinder Sleeve Assembly	226-1760	6	226-1760	6
		Main Bearing Set	MS-1687P	1	MS-1687P	1
		Undersizes	P-10-20-30		P-10-20-30	
		Connecting Rod Bearing (Pair)	CB-625P	6	CB-625P	6
		Undersizes	P-10-20-30		P-10-20-30	
		Engine Cylinder Head Gasket Set / In-frame Overhaul Set	HS5858-3	1	EK3518-1	1
		Engine Conversion Gasket Set	CS5858-13	1		
8.133	Small Cam Connecting Rod Bearings Premium Plus Sleeve Assembly With Standard Size Sleeve OE Main Bearing Number(s) 3801260 OE Rod Bearing Number(s) 203660	Kit Number	459-1177	459-5176		
		Cylinder Sleeve Assembly	226-1760	6	226-1760	6
		Main Bearing Set	MS-1687P	1	MS-1687P	1
		Undersizes	P-10-20-30		P-10-20-30	
		Connecting Rod Bearing (Pair)	CB-625P	6	CB-625P	6
		Undersizes	P-10-20-30		P-10-20-30	
		Engine Cylinder Head Gasket Set / In-frame Overhaul Set	HS5858-3	1	EK3518-1	1
		Engine Conversion Gasket Set	CS5858-2	1		
8.134	Big Cam Connecting Rod Bearings Premium Plus Sleeve Assembly With Standard Size Sleeve OE Main Bearing Number(s) 3801260 OE Rod Bearing Number(s) 214950	Kit Number	459-1178	459-5178		
		Cylinder Sleeve Assembly	226-1703	6	226-1703	6
		Main Bearing Set	MS-1687P	1	MS-1687P	1
		Undersizes	P-10-20-30		P-10-20-30	
		Connecting Rod Bearing (Pair)	CB-1226P	6	CB-1226P	6
		Undersizes	P-10-20-30-40		P-10-20-30-40	
		Engine Cylinder Head Gasket Set / In-frame Overhaul Set	HS5858-16	1	EK3520-1	1
		Engine Conversion Gasket Set	CS5858-6	1		

LINE #	NOTES	PART DESCRIPTION	OVERHAUL	QTY	IN-FRAME	QTY
8	Engine Code: 'NT-855 ' 6 Cyl, 14.0L / 855 CID, Bore 139.7mm / 5.500", Stroke 152.4mm / 6.000"; Turbocharged-Aftercooled					8
8.135	Small Cam Connecting Rod Bearings Contains OE# 3801764 Sleeve Assembly With Standard Size Sleeve OE Main Bearing Number(s) 3801260 OE Rod Bearing Number(s) 203660	Kit Number	459-1179	459-5179		
		Cylinder Sleeve Assembly	226-1769	6	226-1769	6
		Main Bearing Set	MS-1687P	1	MS-1687P	1
		Undersizes	P-10-20-30		P-10-20-30	
		Connecting Rod Bearing (Pair)	CB-625P	6	CB-625P	6
		Undersizes	P-10-20-30		P-10-20-30	
		Engine Cylinder Head Gasket Set / In-frame Overhaul Set	HS5858-3	1	EK3518-1	1
		Engine Conversion Gasket Set	CS5858-2	1		
8.136	Small Cam Connecting Rod Bearings Contains OE# 3801764 Sleeve Assembly With Standard Size Sleeve OE Main Bearing Number(s) 3801260 OE Rod Bearing Number(s) 203660	Kit Number	459-1190	459-5179		
		Cylinder Sleeve Assembly	226-1769	6	226-1769	6
		Main Bearing Set	MS-1687P	1	MS-1687P	1
		Undersizes	P-10-20-30		P-10-20-30	
		Connecting Rod Bearing (Pair)	CB-625P	6	CB-625P	6
		Undersizes	P-10-20-30		P-10-20-30	
		Engine Cylinder Head Gasket Set / In-frame Overhaul Set	HS5858-3	1	EK3518-1	1
		Engine Conversion Gasket Set	CS5858-13	1		
8.137	Small Cam Connecting Rod Bearings Contains OE# 3801764 Sleeve Assembly With Standard Size Sleeve OE Main Bearing Number(s) 3801260 OE Rod Bearing Number(s) 203660	Kit Number	459-1191	459-5179		
		Cylinder Sleeve Assembly	226-1769	6	226-1769	6
		Main Bearing Set	MS-1687P	1	MS-1687P	1
		Undersizes	P-10-20-30		P-10-20-30	
		Connecting Rod Bearing (Pair)	CB-625P	6	CB-625P	6
		Undersizes	P-10-20-30		P-10-20-30	
		Engine Cylinder Head Gasket Set / In-frame Overhaul Set	HS5858-3	1	EK3518-1	1
		Engine Conversion Gasket Set	CS5858-7	1		
8.138	Big Cam Connecting Rod Bearings Requires Turbocharger and Piston Coolers With Standard Size Sleeve OE Main Bearing Number(s) 3801260 OE Rod Bearing Number(s) 214950	Kit Number	459-1186	459-5186		
		Cylinder Sleeve Assembly	226-1863	6	226-1863	6
		Main Bearing Set	MS-1687P	1	MS-1687P	1
		Undersizes	P-10-20-30		P-10-20-30	
		Connecting Rod Bearing (Pair)	CB-1226P	6	CB-1226P	6
		Undersizes	P-10-20-30-40		P-10-20-30	
		Engine Cylinder Head Gasket Set / In-frame Overhaul Set	HS5858-3	1	EK3518-1	1
		Engine Conversion Gasket Set	CS5858-5	1		

LINE #	NOTES	PART DESCRIPTION	OVERHAUL	QTY	IN-FRAME	QTY
8	Engine Code: 'NT-855 ' 6 Cyl, 14.0L / 855 CID, Bore 139.7mm / 5.500", Stroke 152.4mm / 6.000"; Turbocharged-Aftercooled					8
8.139	Small Cam Connecting Rod Bearings Requires Turbocharger and Piston Coolers With Standard Size Sleeve OE Main Bearing Number(s) 3801260 OE Rod Bearing Number(s) 203660	Kit Number	459-1192	459-5192		
		Cylinder Sleeve Assembly	226-1770	6	226-1770	6
		Main Bearing Set	MS-1687P	1	MS-1687P	1
		Undersizes	P-10-20-30		P-10-20-30	
		Connecting Rod Bearing (Pair)	CB-625P	6	CB-625P	6
		Undersizes	P-10-20-30		P-10-20-30	
		Engine Cylinder Head Gasket Set / In-frame Overhaul Set	HS5858-3	1	EK3518-1	1
		Engine Conversion Gasket Set	CS5858-13	1		
8.140	Small Cam Connecting Rod Bearings Requires Turbocharger and Piston Coolers With Standard Size Sleeve OE Main Bearing Number(s) 3801260 OE Rod Bearing Number(s) 203660	Kit Number	459-1193	459-5192		
		Cylinder Sleeve Assembly	226-1770	6	226-1770	6
		Main Bearing Set	MS-1687P	1	MS-1687P	1
		Undersizes	P-10-20-30		P-10-20-30	
		Connecting Rod Bearing (Pair)	CB-625P	6	CB-625P	6
		Undersizes	P-10-20-30		P-10-20-30	
		Engine Cylinder Head Gasket Set / In-frame Overhaul Set	HS5858-3	1	EK3518-1	1
		Engine Conversion Gasket Set	CS5858-2	1		
8.141	Small Cam Connecting Rod Bearings Requires Turbocharger and Piston Coolers With Standard Size Sleeve OE Main Bearing Number(s) 3801260 OE Rod Bearing Number(s) 203660	Kit Number	459-1196	459-5196		
		Cylinder Sleeve Assembly	226-1771	6	226-1771	6
		Main Bearing Set	MS-1687P	1	MS-1687P	1
		Undersizes	P-10-20-30		P-10-20-30	
		Connecting Rod Bearing (Pair)	CB-625P	6	CB-625P	6
		Undersizes	P-10-20-30		P-10-20-30	
		Engine Cylinder Head Gasket Set / In-frame Overhaul Set	HS5858-3	1	EK3518-1	1
		Engine Conversion Gasket Set	CS5858-4	1		
8.142	Small Cam Connecting Rod Bearings Requires Turbocharger and Piston Coolers With Standard Size Sleeve OE Main Bearing Number(s) 3801260 OE Rod Bearing Number(s) 203660	Kit Number	459-1197	459-5196		
		Cylinder Sleeve Assembly	226-1771	6	226-1771	6
		Main Bearing Set	MS-1687P	1	MS-1687P	1
		Undersizes	P-10-20-30		P-10-20-30	
		Connecting Rod Bearing (Pair)	CB-625P	6	CB-625P	6
		Undersizes	P-10-20-30		P-10-20-30	
		Engine Cylinder Head Gasket Set / In-frame Overhaul Set	HS5858-3	1	EK3518-1	1
		Engine Conversion Gasket Set	CS5858-2	1		

LINE #	NOTES	PART DESCRIPTION	OVERHAUL	QTY	IN-FRAME	QTY
8	Engine Code: 'NT-855 '					8
		6 Cyl, 14.0L / 855 CID, Bore 139.7mm / 5.500", Stroke 152.4mm / 6.000"; Turbocharged-Aftercooled				
8.143	Small Cam Connecting Rod Bearings Requires Turbocharger and Piston Coolers With Standard Size Sleeve OE Main Bearing Number(s) 3801260 OE Rod Bearing Number(s) 203660	Kit Number	459-1200	459-5200		
		Cylinder Sleeve Assembly	226-1772	6	226-1772	6
		Main Bearing Set	MS-1687P	1	MS-1687P	1
		Undersizes	P-10-20-30		P-10-20-30	
		Connecting Rod Bearing (Pair)	CB-625P	6	CB-625P	6
		Undersizes	P-10-20-30		P-10-20-30	
		Engine Cylinder Head Gasket Set / In-frame Overhaul Set	HS5858-3	1	EK3518-1	1
Engine Conversion Gasket Set	CS5858-4	1				
8.144	Small Cam Connecting Rod Bearings Requires Turbocharger and Piston Coolers With Standard Size Sleeve OE Main Bearing Number(s) 3801260 OE Rod Bearing Number(s) 203660	Kit Number	459-1201	459-5200		
		Cylinder Sleeve Assembly	226-1772	6	226-1772	6
		Main Bearing Set	MS-1687P	1	MS-1687P	1
		Undersizes	P-10-20-30		P-10-20-30	
		Connecting Rod Bearing (Pair)	CB-625P	6	CB-625P	6
		Undersizes	P-10-20-30		P-10-20-30	
		Engine Cylinder Head Gasket Set / In-frame Overhaul Set	HS5858-3	1	EK3518-1	1
Engine Conversion Gasket Set	CS5858-13	1				
8.145	Small Cam Connecting Rod Bearings Requires Turbocharger and Piston Coolers With Standard Size Sleeve OE Main Bearing Number(s) 3801260 OE Rod Bearing Number(s) 203660	Kit Number	459-1202	459-5200		
		Cylinder Sleeve Assembly	226-1772	6	226-1772	6
		Main Bearing Set	MS-1687P	1	MS-1687P	1
		Undersizes	P-10-20-30		P-10-20-30	
		Connecting Rod Bearing (Pair)	CB-625P	6	CB-625P	6
		Undersizes	P-10-20-30		P-10-20-30	
		Engine Cylinder Head Gasket Set / In-frame Overhaul Set	HS5858-3	1	EK3518-1	1
Engine Conversion Gasket Set	CS5858-2	1				
8.146	Big Cam Connecting Rod Bearings Requires Turbocharger and Piston Coolers With Standard Size Sleeve OE Main Bearing Number(s) 3801260 OE Rod Bearing Number(s) 214950	Kit Number		459-5203		
		Cylinder Sleeve Assembly			226-1773	6
		Main Bearing Set			MS-1687P	1
		Undersizes			P-10-20-30	
		Connecting Rod Bearing (Pair)			CB-1226P	6
		Undersizes			P-10-20-30-40	
		In-frame Overhaul Set			EK3522VR	1

LINE #	NOTES	PART DESCRIPTION	OVERHAUL	QTY	IN-FRAME	QTY
8	Engine Code: 'NT-855 '					8
		6 Cyl, 14.0L / 855 CID, Bore 139.7mm / 5.500", Stroke 152.4mm / 6.000"; Turbocharged-Aftercooled				
8.147	Small Cam Connecting Rod Bearings Requires Turbocharger and Piston Coolers With Standard Size Sleeve OE Main Bearing Number(s) 3801260 OE Rod Bearing Number(s) 203660	Kit Number	459-1205	459-5205		
		Cylinder Sleeve Assembly	226-1773	6	226-1773	6
		Main Bearing Set	MS-1687P	1	MS-1687P	1
		Undersizes	P-10-20-30		P-10-20-30	
		Connecting Rod Bearing (Pair)	CB-625P	6	CB-625P	6
		Undersizes	P-10-20-30		P-10-20-30	
		Engine Cylinder Head Gasket Set / In-frame Overhaul Set	HS5858-3	1	EK3518-1	1
		Engine Conversion Gasket Set	CS5858-13	1		
8.148	Small Cam Connecting Rod Bearings Requires Turbocharger and Piston Coolers With Standard Size Sleeve OE Main Bearing Number(s) 3801260 OE Rod Bearing Number(s) 203660	Kit Number	459-1206	459-5206		
		Cylinder Sleeve Assembly	226-1774	6	226-1774	6
		Main Bearing Set	MS-1687P	1	MS-1687P	1
		Undersizes	P-10-20-30		P-10-20-30	
		Connecting Rod Bearing (Pair)	CB-625P	6	CB-625P	6
		Undersizes	P-10-20-30		P-10-20-30	
		Engine Cylinder Head Gasket Set / In-frame Overhaul Set	HS5858-3	1	EK3518-1	1
		Engine Conversion Gasket Set	CS5858-4	1		
8.149	Small Cam Connecting Rod Bearings Requires Turbocharger and Piston Coolers With Standard Size Sleeve OE Main Bearing Number(s) 3801260 OE Rod Bearing Number(s) 203660	Kit Number	459-1207	459-5206		
		Cylinder Sleeve Assembly	226-1774	6	226-1774	6
		Main Bearing Set	MS-1687P	1	MS-1687P	1
		Undersizes	P-10-20-30		P-10-20-30	
		Connecting Rod Bearing (Pair)	CB-625P	6	CB-625P	6
		Undersizes	P-10-20-30		P-10-20-30	
		Engine Cylinder Head Gasket Set / In-frame Overhaul Set	HS5858-3	1	EK3518-1	1
		Engine Conversion Gasket Set	CS5858-13	1		
8.150	Small Cam Connecting Rod Bearings Requires Turbocharger and Piston Coolers With Standard Size Sleeve OE Main Bearing Number(s) 3801260 OE Rod Bearing Number(s) 203660	Kit Number	459-1208	459-5206		
		Cylinder Sleeve Assembly	226-1774	6	226-1774	6
		Main Bearing Set	MS-1687P	1	MS-1687P	1
		Undersizes	P-10-20-30		P-10-20-30	
		Connecting Rod Bearing (Pair)	CB-625P	6	CB-625P	6
		Undersizes	P-10-20-30		P-10-20-30	
		Engine Cylinder Head Gasket Set / In-frame Overhaul Set	HS5858-3	1	EK3518-1	1
		Engine Conversion Gasket Set	CS5858-2	1		

LINE #	NOTES	PART DESCRIPTION	OVERHAUL	QTY	IN-FRAME	QTY
8	Engine Code: 'NT-855 ' 6 Cyl, 14.0L / 855 CID, Bore 139.7mm / 5.500", Stroke 152.4mm / 6.000"; Turbocharged-Aftercooled					8
8.151	Small Cam Connecting Rod Bearings Premium Plus Sleeve Assembly With 0.020"/0.040" Oversized Lower Press Fit Sleeves OE Main Bearing Number(s) 3801260 OE Rod Bearing Number(s) 203660	Kit Number	459-1216		459-5216	
		Cylinder Sleeve Assembly	226-1792	6	226-1792	6
		Main Bearing Set	MS-1687P	1	MS-1687P	1
		Undersizes	P-10-20-30		P-10-20-30	
		Connecting Rod Bearing (Pair)	CB-625P	6	CB-625P	6
		Undersizes	P-10-20-30		P-10-20-30	
		Engine Cylinder Head Gasket Set / In-frame Overhaul Set	HS5858-3	1	EK3518-1	1
Engine Conversion Gasket Set	CS5858-4	1				
8.152	Small Cam Connecting Rod Bearings Premium Plus Sleeve Assembly With 0.020"/0.040" Oversized Lower Press Fit Sleeves OE Main Bearing Number(s) 3801260 OE Rod Bearing Number(s) 203660	Kit Number	459-1217		459-5216	
		Cylinder Sleeve Assembly	226-1792	6	226-1792	6
		Main Bearing Set	MS-1687P	1	MS-1687P	1
		Undersizes	P-10-20-30		P-10-20-30	
		Connecting Rod Bearing (Pair)	CB-625P	6	CB-625P	6
		Undersizes	P-10-20-30		P-10-20-30	
		Engine Cylinder Head Gasket Set / In-frame Overhaul Set	HS5858-3	1	EK3518-1	1
Engine Conversion Gasket Set	CS5858-13	1				
8.153	Small Cam Connecting Rod Bearings Premium Plus Sleeve Assembly With 0.020"/0.040" Oversized Lower Press Fit Sleeves OE Main Bearing Number(s) 3801260 OE Rod Bearing Number(s) 203660	Kit Number	459-1218		459-5216	
		Cylinder Sleeve Assembly	226-1792	6	226-1792	6
		Main Bearing Set	MS-1687P	1	MS-1687P	1
		Undersizes	P-10-20-30		P-10-20-30	
		Connecting Rod Bearing (Pair)	CB-625P	6	CB-625P	6
		Undersizes	P-10-20-30		P-10-20-30	
		Engine Cylinder Head Gasket Set / In-frame Overhaul Set	HS5858-3	1	EK3518-1	1
Engine Conversion Gasket Set	CS5858-2	1				
8.154	Big Cam Connecting Rod Bearings Premium Plus Sleeve Assembly With 0.020"/0.040" Oversized Lower Press Fit Sleeves OE Main Bearing Number(s) 3801260 OE Rod Bearing Number(s) 214950	Kit Number			459-5219	
		Cylinder Sleeve Assembly			226-1793	6
		Main Bearing Set			MS-1687P	1
		Undersizes			P-10-20-30	
		Connecting Rod Bearing (Pair)			CB-1226P	6
		Undersizes			P-10-20-30-40	
		In-frame Overhaul Set			EK3522VR	1

LINE #	NOTES	PART DESCRIPTION	OVERHAUL	QTY	IN-FRAME	QTY
8	Engine Code: 'NT-855 ' 6 Cyl, 14.0L / 855 CID, Bore 139.7mm / 5.500", Stroke 152.4mm / 6.000"; Turbocharged-Aftercooled					8
8.155	Small Cam Connecting Rod Bearings Premium Plus Sleeve Assembly With 0.020"/0.040" Oversized Lower Press Fit Sleeves OE Main Bearing Number(s) 3801260 OE Rod Bearing Number(s) 203660	Kit Number	459-1221	459-5221		
		Cylinder Sleeve Assembly	226-1793	6	226-1793	6
		Main Bearing Set	MS-1687P	1	MS-1687P	1
		Undersizes	P-10-20-30		P-10-20-30	
		Connecting Rod Bearing (Pair)	CB-625P	6	CB-625P	6
		Undersizes	P-10-20-30		P-10-20-30	
		Engine Cylinder Head Gasket Set / In-frame Overhaul Set	HS5858-3	1	EK3518-1	1
Engine Conversion Gasket Set	CS5858-13	1				
8.156	Small Cam Connecting Rod Bearings Premium Plus Sleeve Assembly With 0.020"/0.040" Oversized Lower Press Fit Sleeves OE Main Bearing Number(s) 3801260 OE Rod Bearing Number(s) 203660	Kit Number	459-1224	459-5224		
		Cylinder Sleeve Assembly	226-1794	6	226-1794	6
		Main Bearing Set	MS-1687P	1	MS-1687P	1
		Undersizes	P-10-20-30		P-10-20-30	
		Connecting Rod Bearing (Pair)	CB-625P	6	CB-625P	6
		Undersizes	P-10-20-30		P-10-20-30	
		Engine Cylinder Head Gasket Set / In-frame Overhaul Set	HS5858-3	1	EK3518-1	1
Engine Conversion Gasket Set	CS5858-4	1				
8.157	Small Cam Connecting Rod Bearings Premium Plus Sleeve Assembly With 0.020"/0.040" Oversized Lower Press Fit Sleeves OE Main Bearing Number(s) 3801260 OE Rod Bearing Number(s) 203660	Kit Number	459-1225	459-5224		
		Cylinder Sleeve Assembly	226-1794	6	226-1794	6
		Main Bearing Set	MS-1687P	1	MS-1687P	1
		Undersizes	P-10-20-30		P-10-20-30	
		Connecting Rod Bearing (Pair)	CB-625P	6	CB-625P	6
		Undersizes	P-10-20-30		P-10-20-30	
		Engine Cylinder Head Gasket Set / In-frame Overhaul Set	HS5858-3	1	EK3518-1	1
Engine Conversion Gasket Set	CS5858-2	1				
8.158	Small Cam Connecting Rod Bearings Premium Plus Sleeve Assembly With 0.020"/0.040" Oversized Lower Press Fit Sleeves OE Main Bearing Number(s) 3801260 OE Rod Bearing Number(s) 203660	Kit Number	459-1227	459-5227		
		Cylinder Sleeve Assembly	226-1796	6	226-1796	6
		Main Bearing Set	MS-1687P	1	MS-1687P	1
		Undersizes	P-10-20-30		P-10-20-30	
		Connecting Rod Bearing (Pair)	CB-625P	6	CB-625P	6
		Undersizes	P-10-20-30		P-10-20-30	
		Engine Cylinder Head Gasket Set	HS5858-3	1	HS5858-3	1
Engine Conversion Gasket Set / Engine Oil Pan Gasket Set	CS5858-13	1	OS21996	1		

LINE #	NOTES	PART DESCRIPTION	OVERHAUL	QTY	IN-FRAME	QTY
8	Engine Code: 'NT-855 ' 6 Cyl, 14.0L / 855 CID, Bore 139.7mm / 5.500", Stroke 152.4mm / 6.000"; Turbocharged-Aftercooled					8
8.159	Small Cam Connecting Rod Bearings Premium Plus Sleeve Assembly With 0.020"/0.040" Oversized Lower Press Fit Sleeves OE Main Bearing Number(s) 3801260 OE Rod Bearing Number(s) 203660	Kit Number	459-1228	459-5227		
		Cylinder Sleeve Assembly	226-1796	6	226-1796	6
		Main Bearing Set	MS-1687P	1	MS-1687P	1
		Undersizes	P-10-20-30		P-10-20-30	
		Connecting Rod Bearing (Pair)	CB-625P	6	CB-625P	6
		Undersizes	P-10-20-30		P-10-20-30	
		Engine Cylinder Head Gasket Set	HS5858-3	1	HS5858-3	1
Engine Conversion Gasket Set / Engine Oil Pan Gasket Set	CS5858-7	1	OS21996	1		
8.160	Small Cam Connecting Rod Bearings Premium Plus Sleeve Assembly With 0.020"/0.040" Oversized Lower Press Fit Sleeves OE Main Bearing Number(s) 3801260 OE Rod Bearing Number(s) 203660	Kit Number	459-1229	459-5227		
		Cylinder Sleeve Assembly	226-1796	6	226-1796	6
		Main Bearing Set	MS-1687P	1	MS-1687P	1
		Undersizes	P-10-20-30		P-10-20-30	
		Connecting Rod Bearing (Pair)	CB-625P	6	CB-625P	6
		Undersizes	P-10-20-30		P-10-20-30	
		Engine Cylinder Head Gasket Set	HS5858-3	1	HS5858-3	1
Engine Conversion Gasket Set / Engine Oil Pan Gasket Set	CS5858-2	1	OS21996	1		
8.161	Big Cam Connecting Rod Bearings Dual Ni-Resist Piston Sleeve Assembly With Standard Size Sleeve OE Main Bearing Number(s) 3801260 OE Rod Bearing Number(s) 214950	Kit Number	459-1230	459-5230		
		Cylinder Sleeve Assembly	226-1821	6	226-1821	6
		Main Bearing Set	MS-1687P	1	MS-1687P	1
		Undersizes	P-10-20-30		P-10-20-30	
		Connecting Rod Bearing (Pair)	CB-1226P	6	CB-1226P	6
		Undersizes	P-10-20-30-40		P-10-20-30-40	
		Engine Cylinder Head Gasket Set / In-frame Overhaul Set	HS5858A	1	EK3523VR	1
Engine Conversion Gasket Set	CS5858-3	1				
8.162	Big Cam Connecting Rod Bearings Dual Ni-Resist Piston Sleeve Assembly With Standard Size Sleeve OE Main Bearing Number(s) 3801260 OE Rod Bearing Number(s) 214950	Kit Number	459-1231	459-5230		
		Cylinder Sleeve Assembly	226-1821	6	226-1821	6
		Main Bearing Set	MS-1687P	1	MS-1687P	1
		Undersizes	P-10-20-30		P-10-20-30	
		Connecting Rod Bearing (Pair)	CB-1226P	6	CB-1226P	6
		Undersizes	P-10-20-30-40		P-10-20-30-40	
		Engine Cylinder Head Gasket Set / In-frame Overhaul Set	HS5858A	1	EK3523VR	1
Engine Conversion Gasket Set	CS5858-6	1				

LINE #	NOTES	PART DESCRIPTION	OVERHAUL	QTY	IN-FRAME	QTY
8	Engine Code: 'NT-855 ' 6 Cyl, 14.0L / 855 CID, Bore 139.7mm / 5.500", Stroke 152.4mm / 6.000"; Turbocharged-Aftercooled					8
8.163	Big Cam Connecting Rod Bearings Dual Ni-Resist Piston Sleeve Assembly With 0.020"/0.040" Oversized Lower Press Fit Sleeves OE Main Bearing Number(s) 3801260 OE Rod Bearing Number(s) 214950	Kit Number	459-1232	459-5232		
		Cylinder Sleeve Assembly	226-1822	6	226-1822	6
		Main Bearing Set	MS-1687P	1	MS-1687P	1
		Undersizes	P-10-20-30		P-10-20-30	
		Connecting Rod Bearing (Pair)	CB-1226P	6	CB-1226P	6
		Undersizes	P-10-20-30-40		P-10-20-30-40	
		Engine Cylinder Head Gasket Set / In-frame Overhaul Set	HS5858A	1	EK3523VR	1
		Engine Conversion Gasket Set	CS5858-3	1		
8.164	Big Cam Connecting Rod Bearings Dual Ni-Resist Piston Sleeve Assembly With 0.020"/0.040" Oversized Lower Press Fit Sleeves OE Main Bearing Number(s) 3801260 OE Rod Bearing Number(s) 214950	Kit Number	459-1233	459-5232		
		Cylinder Sleeve Assembly	226-1822	6	226-1822	6
		Main Bearing Set	MS-1687P	1	MS-1687P	1
		Undersizes	P-10-20-30		P-10-20-30	
		Connecting Rod Bearing (Pair)	CB-1226P	6	CB-1226P	6
		Undersizes	P-10-20-30-40		P-10-20-30-40	
		Engine Cylinder Head Gasket Set / In-frame Overhaul Set	HS5858A	1	EK3523VR	1
		Engine Conversion Gasket Set	CS5858-6	1		
8.165	Small Cam Connecting Rod Bearings Dual Ni-Resist Piston Sleeve Assembly With Standard Size Sleeve OE Main Bearing Number(s) 3801260 OE Rod Bearing Number(s) 203660	Kit Number	459-1236	459-5236		
		Cylinder Sleeve Assembly	226-1831	6	226-1831	6
		Main Bearing Set	MS-1687P	1	MS-1687P	1
		Undersizes	P-10-20-30		P-10-20-30	
		Connecting Rod Bearing (Pair)	CB-625P	6	CB-625P	6
		Undersizes	P-10-20-30		P-10-20-30	
		Engine Cylinder Head Gasket Set / In-frame Overhaul Set	HS5858-3	1	EK3518-1	1
		Engine Conversion Gasket Set	CS5858-4	1		
8.166	Small Cam Connecting Rod Bearings Dual Ni-Resist Piston Sleeve Assembly With Standard Size Sleeve OE Main Bearing Number(s) 3801260 OE Rod Bearing Number(s) 203660	Kit Number	459-1237	459-5236		
		Cylinder Sleeve Assembly	226-1831	6	226-1831	6
		Main Bearing Set	MS-1687P	1	MS-1687P	1
		Undersizes	P-10-20-30		P-10-20-30	
		Connecting Rod Bearing (Pair)	CB-625P	6	CB-625P	6
		Undersizes	P-10-20-30		P-10-20-30	
		Engine Cylinder Head Gasket Set / In-frame Overhaul Set	HS5858-3	1	EK3518-1	1
		Engine Conversion Gasket Set	CS5858-13	1		

LINE #	NOTES	PART DESCRIPTION	OVERHAUL	QTY	IN-FRAME	QTY
8	Engine Code: 'NT-855 '					8
		6 Cyl, 14.0L / 855 CID, Bore 139.7mm / 5.500", Stroke 152.4mm / 6.000"; Turbocharged-Aftercooled				
8.167	Small Cam Connecting Rod Bearings Dual Ni-Resist Piston Sleeve Assembly With Standard Size Sleeve OE Main Bearing Number(s) 3801260 OE Rod Bearing Number(s) 203660	Kit Number	459-1238	459-5236		
		Cylinder Sleeve Assembly	226-1831	6	226-1831	6
		Main Bearing Set	MS-1687P	1	MS-1687P	1
		Undersizes	P-10-20-30		P-10-20-30	
		Connecting Rod Bearing (Pair)	CB-625P	6	CB-625P	6
		Undersizes	P-10-20-30		P-10-20-30	
		Engine Cylinder Head Gasket Set / In-frame Overhaul Set	HS5858-3	1	EK3518-1	1
Engine Conversion Gasket Set	CS5858-2	1				
8.168	Small Cam Connecting Rod Bearings Dual Ni-Resist Piston Sleeve Assembly With 0.020"/0.040" Oversized Lower Press Fit Sleeves OE Main Bearing Number(s) 3801260 OE Rod Bearing Number(s) 203660	Kit Number	459-1242	459-5242		
		Cylinder Sleeve Assembly	226-1832	6	226-1832	6
		Main Bearing Set	MS-1687P	1	MS-1687P	1
		Undersizes	P-10-20-30		P-10-20-30	
		Connecting Rod Bearing (Pair)	CB-625P	6	CB-625P	6
		Undersizes	P-10-20-30		P-10-20-30	
		Engine Cylinder Head Gasket Set / In-frame Overhaul Set	HS5858-3	1	EK3518-1	1
Engine Conversion Gasket Set	CS5858-4	1				
8.169	Small Cam Connecting Rod Bearings Dual Ni-Resist Piston Sleeve Assembly With 0.020"/0.040" Oversized Lower Press Fit Sleeves OE Main Bearing Number(s) 3801260 OE Rod Bearing Number(s) 203660	Kit Number	459-1243	459-5242		
		Cylinder Sleeve Assembly	226-1832	6	226-1832	6
		Main Bearing Set	MS-1687P	1	MS-1687P	1
		Undersizes	P-10-20-30		P-10-20-30	
		Connecting Rod Bearing (Pair)	CB-625P	6	CB-625P	6
		Undersizes	P-10-20-30		P-10-20-30	
		Engine Cylinder Head Gasket Set / In-frame Overhaul Set	HS5858-3	1	EK3518-1	1
Engine Conversion Gasket Set	CS5858-13	1				
8.170	Small Cam Connecting Rod Bearings Dual Ni-Resist Piston Sleeve Assembly With 0.020"/0.040" Oversized Lower Press Fit Sleeves OE Main Bearing Number(s) 3801260 OE Rod Bearing Number(s) 203660	Kit Number	459-1244	459-5242		
		Cylinder Sleeve Assembly	226-1832	6	226-1832	6
		Main Bearing Set	MS-1687P	1	MS-1687P	1
		Undersizes	P-10-20-30		P-10-20-30	
		Connecting Rod Bearing (Pair)	CB-625P	6	CB-625P	6
		Undersizes	P-10-20-30		P-10-20-30	
		Engine Cylinder Head Gasket Set / In-frame Overhaul Set	HS5858-3	1	EK3518-1	1
Engine Conversion Gasket Set	CS5858-2	1				

LINE #	NOTES	PART DESCRIPTION	OVERHAUL	QTY	IN-FRAME	QTY
8	Engine Code: 'NT-855 ' 6 Cyl, 14.0L / 855 CID, Bore 139.7mm / 5.500", Stroke 152.4mm / 6.000"; Turbocharged-Aftercooled					8
8.171	Small Cam Connecting Rod Bearings Dual Ni-Resist Piston Sleeve Assembly With Standard Size Sleeve OE Main Bearing Number(s) 3801260 OE Rod Bearing Number(s) 203660	Kit Number	459-1248		459-5248	
		Cylinder Sleeve Assembly	226-1833	6	226-1833	6
		Main Bearing Set	MS-1687P	1	MS-1687P	1
		Undersizes	P-10-20-30		P-10-20-30	
		Connecting Rod Bearing (Pair)	CB-625P	6	CB-625P	6
		Undersizes	P-10-20-30		P-10-20-30	
		Engine Cylinder Head Gasket Set / In-frame Overhaul Set	HS5858-3	1	EK3518-1	1
		Engine Conversion Gasket Set	CS5858-4	1		
8.172	Small Cam Connecting Rod Bearings Dual Ni-Resist Piston Sleeve Assembly With 0.020"/0.040" Oversized Lower Press Fit Sleeves OE Main Bearing Number(s) 3801260 OE Rod Bearing Number(s) 203660	Kit Number	459-1251		459-5251	
		Cylinder Sleeve Assembly	226-1834	6	226-1834	6
		Main Bearing Set	MS-1687P	1	MS-1687P	1
		Undersizes	P-10-20-30		P-10-20-30	
		Connecting Rod Bearing (Pair)	CB-625P	6	CB-625P	6
		Undersizes	P-10-20-30		P-10-20-30	
		Engine Cylinder Head Gasket Set / In-frame Overhaul Set	HS5858-3	1	EK3518-1	1
		Engine Conversion Gasket Set	CS5858-4	1		
8.173	Small Cam Connecting Rod Bearings Dual Ni-Resist Piston Sleeve Assembly With Standard Size Sleeve OE Main Bearing Number(s) 3801260 OE Rod Bearing Number(s) 203660	Kit Number	459-1256		459-5256	
		Cylinder Sleeve Assembly	226-1835	6	226-1835	6
		Main Bearing Set	MS-1687P	1	MS-1687P	1
		Undersizes	P-10-20-30		P-10-20-30	
		Connecting Rod Bearing (Pair)	CB-625P	6	CB-625P	6
		Undersizes	P-10-20-30		P-10-20-30	
		Engine Cylinder Head Gasket Set / In-frame Overhaul Set	HS5858-3	1	EK3518-1	1
		Engine Conversion Gasket Set	CS5858-13	1		
8.174	Big Cam Connecting Rod Bearings Dual Ni-Resist Piston Sleeve Assembly With Standard Size Sleeve OE Main Bearing Number(s) 3801260 OE Rod Bearing Number(s) 214950	Kit Number	459-1257		459-5257	
		Cylinder Sleeve Assembly	226-1835	6	226-1835	6
		Main Bearing Set	MS-1687P	1	MS-1687P	1
		Undersizes	P-10-20-30		P-10-20-30	
		Connecting Rod Bearing (Pair)	CB-1226P	6	CB-1226P	6
		Undersizes	P-10-20-30-40		P-10-20-30-40	
		Engine Cylinder Head Gasket Set / In-frame Overhaul Set	HS5858-16	1	EK3520-1	1
		Engine Conversion Gasket Set	CS5858-6	1		

LINE #	NOTES	PART DESCRIPTION	OVERHAUL	QTY	IN-FRAME	QTY
8	Engine Code: 'NT-855 ' 6 Cyl, 14.0L / 855 CID, Bore 139.7mm / 5.500", Stroke 152.4mm / 6.000"; Turbocharged-Aftercooled					8
8.175	Small Cam Connecting Rod Bearings Dual Ni-Resist Piston Sleeve Assembly With 0.020"/0.040" Oversized Lower Press Fit Sleeves OE Main Bearing Number(s) 3801260 OE Rod Bearing Number(s) 203660	Kit Number	459-1259	459-5259		
		Cylinder Sleeve Assembly	226-1836	6	226-1836	6
		Main Bearing Set	MS-1687P	1	MS-1687P	1
		Undersizes	P-10-20-30		P-10-20-30	
		Connecting Rod Bearing (Pair)	CB-625P	6	CB-625P	6
		Undersizes	P-10-20-30		P-10-20-30	
		Engine Cylinder Head Gasket Set / In-frame Overhaul Set	HS5858-3	1	EK3518-1	1
Engine Conversion Gasket Set	CS5858-13	1				
8.176	Big Cam Connecting Rod Bearings Dual Ni-Resist Piston Sleeve Assembly With 0.020"/0.040" Oversized Lower Press Fit Sleeves OE Main Bearing Number(s) 3801260 OE Rod Bearing Number(s) 214950	Kit Number	459-1260	459-5260		
		Cylinder Sleeve Assembly	226-1836	6	226-1836	6
		Main Bearing Set	MS-1687P	1	MS-1687P	1
		Undersizes	P-10-20-30		P-10-20-30	
		Connecting Rod Bearing (Pair)	CB-1226P	6	CB-1226P	6
		Undersizes	P-10-20-30-40		P-10-20-30-40	
		Engine Cylinder Head Gasket Set / In-frame Overhaul Set	HS5858-16	1	EK3520-1	1
Engine Conversion Gasket Set	CS5858-6	1				
8.177	Small Cam Connecting Rod Bearings Dual Ni-Resist Piston Sleeve Assembly With Standard Size Sleeve OE Main Bearing Number(s) 3801260 OE Rod Bearing Number(s) 203660	Kit Number	459-1261	459-5261		
		Cylinder Sleeve Assembly	226-1837	6	226-1837	6
		Main Bearing Set	MS-1687P	1	MS-1687P	1
		Undersizes	P-10-20-30		P-10-20-30	
		Connecting Rod Bearing (Pair)	CB-625P	6	CB-625P	6
		Undersizes	P-10-20-30		P-10-20-30	
		Engine Cylinder Head Gasket Set / In-frame Overhaul Set	HS5858-3	1	EK3518-1	1
Engine Conversion Gasket Set	CS5858-13	1				
8.178	Big Cam Connecting Rod Bearings Dual Ni-Resist Piston Sleeve Assembly With Standard Size Sleeve OE Main Bearing Number(s) 3801260 OE Rod Bearing Number(s) 214950	Kit Number	459-1272	459-5272		
		Cylinder Sleeve Assembly	226-1841	6	226-1841	6
		Main Bearing Set	MS-1687P	1	MS-1687P	1
		Undersizes	P-10-20-30		P-10-20-30	
		Connecting Rod Bearing (Pair)	CB-1226P	6	CB-1226P	6
		Undersizes	P-10-20-30-40		P-10-20-30-40	
		Engine Cylinder Head Gasket Set / In-frame Overhaul Set	HS5858A	1	EK3523VR	1
Engine Conversion Gasket Set	CS5858-3	1				

LINE #	NOTES	PART DESCRIPTION	OVERHAUL	QTY	IN-FRAME	QTY
8	Engine Code: 'NT-855 ' 6 Cyl, 14.0L / 855 CID, Bore 139.7mm / 5.500", Stroke 152.4mm / 6.000"; Turbocharged-Aftercooled					8
8.179	Big Cam Connecting Rod Bearings Dual Ni-Resist Piston Sleeve Assembly With 0.020"/0.040" Oversized Lower Press Fit Sleeves OE Main Bearing Number(s) 3801260 OE Rod Bearing Number(s) 214950	Kit Number	459-1274	459-5274		
		Cylinder Sleeve Assembly	226-1842	6	226-1842	6
		Main Bearing Set	MS-1687P	1	MS-1687P	1
		Undersizes	P-10-20-30		P-10-20-30	
		Connecting Rod Bearing (Pair)	CB-1226P	6	CB-1226P	6
		Undersizes	P-10-20-30-40		P-10-20-30-40	
		Engine Cylinder Head Gasket Set / In-frame Overhaul Set	HS5858A	1	EK3523VR	1
		Engine Conversion Gasket Set	CS5858-3	1		
8.180	Big Cam Connecting Rod Bearings Requires Turbocharger and Piston Coolers With 0.020"/0.040" Oversized Lower Press Fit Sleeves OE Main Bearing Number(s) 3801260 OE Rod Bearing Number(s) 214950	Kit Number	459-1281	459-5281		
		Cylinder Sleeve Assembly	226-1847	6	226-1847	6
		Main Bearing Set	MS-1687P	1	MS-1687P	1
		Undersizes	P-10-20-30		P-10-20-30	
		Connecting Rod Bearing (Pair)	CB-1226P	6	CB-1226P	6
		Undersizes	P-10-20-30-40		P-10-20-30-40	
		Engine Cylinder Head Gasket Set / In-frame Overhaul Set	HS5858-3	1	EK3518-1	1
		Engine Conversion Gasket Set	CS5858-4	1		
8.181	Big Cam Connecting Rod Bearings Requires Turbocharger and Piston Coolers With 0.020"/0.040" Oversized Lower Press Fit Sleeves OE Main Bearing Number(s) 3801260 OE Rod Bearing Number(s) 214950	Kit Number	459-1282	459-5281		
		Cylinder Sleeve Assembly	226-1847	6	226-1847	6
		Main Bearing Set	MS-1687P	1	MS-1687P	1
		Undersizes	P-10-20-30		P-10-20-30	
		Connecting Rod Bearing (Pair)	CB-1226P	6	CB-1226P	6
		Undersizes	P-10-20-30-40		P-10-20-30-40	
		Engine Cylinder Head Gasket Set / In-frame Overhaul Set	HS5858-3	1	EK3518-1	1
		Engine Conversion Gasket Set	CS5858-13	1		
8.182	Big Cam Connecting Rod Bearings Requires Turbocharger and Piston Coolers With 0.020"/0.040" Oversized Lower Press Fit Sleeves OE Main Bearing Number(s) 3801260 OE Rod Bearing Number(s) 214950	Kit Number	459-1283	459-5281		
		Cylinder Sleeve Assembly	226-1847	6	226-1847	6
		Main Bearing Set	MS-1687P	1	MS-1687P	1
		Undersizes	P-10-20-30		P-10-20-30	
		Connecting Rod Bearing (Pair)	CB-1226P	6	CB-1226P	6
		Undersizes	P-10-20-30-40		P-10-20-30-40	
		Engine Cylinder Head Gasket Set / In-frame Overhaul Set	HS5858-3	1	EK3518-1	1
		Engine Conversion Gasket Set	CS5858-7	1		

LINE #	NOTES	PART DESCRIPTION	OVERHAUL	QTY	IN-FRAME	QTY
8	Engine Code: 'NT-855 ' 6 Cyl, 14.0L / 855 CID, Bore 139.7mm / 5.500", Stroke 152.4mm / 6.000"; Turbocharged-Aftercooled					8
8.183	Big Cam Connecting Rod Bearings Requires Turbocharger and Piston Coolers With 0.020"/0.040" Oversized Lower Press Fit Sleeves OE Main Bearing Number(s) 3801260 OE Rod Bearing Number(s) 214950	Kit Number	459-1284	459-5281		
		Cylinder Sleeve Assembly	226-1847	6	226-1847	6
		Main Bearing Set	MS-1687P	1	MS-1687P	1
		Undersizes	P-10-20-30		P-10-20-30	
		Connecting Rod Bearing (Pair)	CB-1226P	6	CB-1226P	6
		Undersizes	P-10-20-30-40		P-10-20-30-40	
		Engine Cylinder Head Gasket Set / In-frame Overhaul Set	HS5858-3	1	EK3518-1	1
		Engine Conversion Gasket Set	CS5858-2	1		
8.184	Small Cam Connecting Rod Bearings Requires Turbocharger and Piston Coolers With 0.020"/0.040" Oversized Lower Press Fit Sleeves OE Main Bearing Number(s) 3801260 OE Rod Bearing Number(s) 203660	Kit Number	459-1285	459-5285		
		Cylinder Sleeve Assembly	226-1847	6	226-1847	6
		Main Bearing Set	MS-1687P	1	MS-1687P	1
		Undersizes	P-10-20-30		P-10-20-30	
		Connecting Rod Bearing (Pair)	CB-625P	6	CB-625P	6
		Undersizes	P-10-20-30		P-10-20-30	
		Engine Cylinder Head Gasket Set / In-frame Overhaul Set	HS5858-3	1	EK3518-1	1
		Engine Conversion Gasket Set	CS5858-13	1		
8.185	Small Cam Connecting Rod Bearings Requires Turbocharger and Piston Coolers With 0.020"/0.040" Oversized Lower Press Fit Sleeves OE Main Bearing Number(s) 3801260 OE Rod Bearing Number(s) 203660	Kit Number	459-1286	459-5285		
		Cylinder Sleeve Assembly	226-1847	6	226-1847	6
		Main Bearing Set	MS-1687P	1	MS-1687P	1
		Undersizes	P-10-20-30		P-10-20-30	
		Connecting Rod Bearing (Pair)	CB-625P	6	CB-625P	6
		Undersizes	P-10-20-30		P-10-20-30	
		Engine Cylinder Head Gasket Set / In-frame Overhaul Set	HS5858-3	1	EK3518-1	1
		Engine Conversion Gasket Set	CS5858-7	1		
8.186	Small Cam Connecting Rod Bearings Requires Turbocharger and Piston Coolers With 0.020"/0.040" Oversized Lower Press Fit Sleeves OE Main Bearing Number(s) 3801260 OE Rod Bearing Number(s) 203660	Kit Number	459-1287	459-5285		
		Cylinder Sleeve Assembly	226-1847	6	226-1847	6
		Main Bearing Set	MS-1687P	1	MS-1687P	1
		Undersizes	P-10-20-30		P-10-20-30	
		Connecting Rod Bearing (Pair)	CB-625P	6	CB-625P	6
		Undersizes	P-10-20-30		P-10-20-30	
		Engine Cylinder Head Gasket Set / In-frame Overhaul Set	HS5858-3	1	EK3518-1	1
		Engine Conversion Gasket Set	CS5858-2	1		

LINE #	NOTES	PART DESCRIPTION	OVERHAUL	QTY	IN-FRAME	QTY
8	Engine Code: 'NT-855 ' 6 Cyl, 14.0L / 855 CID, Bore 139.7mm / 5.500", Stroke 152.4mm / 6.000"; Turbocharged-Aftercooled					8
8.187	Big Cam Connecting Rod Bearings Requires Turbocharger and Piston Coolers With 0.020"/0.040" Oversized Lower Press Fit Sleeves OE Main Bearing Number(s) 3801260 OE Rod Bearing Number(s) 214950	Kit Number	459-1288	459-5288		
		Cylinder Sleeve Assembly	226-1848	6	226-1848	6
		Main Bearing Set	MS-1687P	1	MS-1687P	1
		Undersizes	P-10-20-30		P-10-20-30	
		Connecting Rod Bearing (Pair)	CB-1226P	6	CB-1226P	6
		Undersizes	P-10-20-30-40		P-10-20-30-40	
		Engine Cylinder Head Gasket Set / In-frame Overhaul Set	HS5858-3	1	EK3518-1	1
		Engine Conversion Gasket Set	CS5858-4	1		
8.188	Big Cam Connecting Rod Bearings Requires Turbocharger and Piston Coolers With 0.020"/0.040" Oversized Lower Press Fit Sleeves OE Main Bearing Number(s) 3801260 OE Rod Bearing Number(s) 214950	Kit Number	459-1289	459-5288		
		Cylinder Sleeve Assembly	226-1848	6	226-1848	6
		Main Bearing Set	MS-1687P	1	MS-1687P	1
		Undersizes	P-10-20-30		P-10-20-30	
		Connecting Rod Bearing (Pair)	CB-1226P	6	CB-1226P	6
		Undersizes	P-10-20-30-40		P-10-20-30-40	
		Engine Cylinder Head Gasket Set / In-frame Overhaul Set	HS5858-3	1	EK3518-1	1
		Engine Conversion Gasket Set	CS5858-7	1		
8.189	Big Cam Connecting Rod Bearings Requires Turbocharger and Piston Coolers With 0.020"/0.040" Oversized Lower Press Fit Sleeves OE Main Bearing Number(s) 3801260 OE Rod Bearing Number(s) 214950	Kit Number	459-1290	459-5288		
		Cylinder Sleeve Assembly	226-1848	6	226-1848	6
		Main Bearing Set	MS-1687P	1	MS-1687P	1
		Undersizes	P-10-20-30		P-10-20-30	
		Connecting Rod Bearing (Pair)	CB-1226P	6	CB-1226P	6
		Undersizes	P-10-20-30-40		P-10-20-30-40	
		Engine Cylinder Head Gasket Set / In-frame Overhaul Set	HS5858-3	1	EK3518-1	1
		Engine Conversion Gasket Set	CS5858-2	1		
8.190	Small Cam Connecting Rod Bearings Requires Turbocharger and Piston Coolers With 0.020"/0.040" Oversized Lower Press Fit Sleeves OE Main Bearing Number(s) 3801260 OE Rod Bearing Number(s) 203660	Kit Number	459-1292	459-5292		
		Cylinder Sleeve Assembly	226-1848	6	226-1848	6
		Main Bearing Set	MS-1687P	1	MS-1687P	1
		Undersizes	P-10-20-30		P-10-20-30	
		Connecting Rod Bearing (Pair)	CB-625P	6	CB-625P	6
		Undersizes	P-10-20-30		P-10-20-30	
		Engine Cylinder Head Gasket Set / In-frame Overhaul Set	HS5858-3	1	EK3518-1	1
		Engine Conversion Gasket Set	CS5858-7	1		

LINE #	NOTES	PART DESCRIPTION	OVERHAUL	QTY	IN-FRAME	QTY
8	Engine Code: 'NT-855 ' 6 Cyl, 14.0L / 855 CID, Bore 139.7mm / 5.500", Stroke 152.4mm / 6.000"; Turbocharged-Aftercooled					8
8.191	Small Cam Connecting Rod Bearings Requires Turbocharger and Piston Coolers With 0.020"/0.040" Oversized Lower Press Fit Sleeves OE Main Bearing Number(s) 3801260 OE Rod Bearing Number(s) 203660	Kit Number	459-1293	459-5292		
		Cylinder Sleeve Assembly	226-1848	6	226-1848	6
		Main Bearing Set	MS-1687P	1	MS-1687P	1
		Undersizes	P-10-20-30		P-10-20-30	
		Connecting Rod Bearing (Pair)	CB-625P	6	CB-625P	6
		Undersizes	P-10-20-30		P-10-20-30	
		Engine Cylinder Head Gasket Set / In-frame Overhaul Set	HS5858-3	1	EK3518-1	1
		Engine Conversion Gasket Set	CS5858-2	1		
8.192	Big Cam Connecting Rod Bearings Requires Turbocharger and Piston Coolers With 0.020"/0.040" Oversized Lower Press Fit Sleeves OE Main Bearing Number(s) 3801260 OE Rod Bearing Number(s) 214950	Kit Number		459-5301		
		Cylinder Sleeve Assembly			226-1860	6
		Main Bearing Set			MS-1687P	1
		Undersizes			P-10-20-30	
		Connecting Rod Bearing (Pair)			CB-1226P	6
		Undersizes			P-10-20-30-40	
		In-frame Overhaul Set			EK3522VR	1
		8.193	Big Cam Connecting Rod Bearings Requires Turbocharger and Piston Coolers With 0.020"/0.040" Oversized Lower Press Fit Sleeves OE Main Bearing Number(s) 3801260 OE Rod Bearing Number(s) 214950	Kit Number	459-1302	459-5302
Cylinder Sleeve Assembly	226-1860			6	226-1860	6
Main Bearing Set	MS-1687P			1	MS-1687P	1
Undersizes	P-10-20-30				P-10-20-30	
Connecting Rod Bearing (Pair)	CB-1226P			6	CB-1226P	6
Undersizes	P-10-20-30-40				P-10-20-30-40	
Engine Cylinder Head Gasket Set	HS5858-3			1	HS5858-3	1
Engine Conversion Gasket Set / Engine Oil Pan Gasket Set	CS5858-4			1	OS21996	1
8.194	Big Cam Connecting Rod Bearings Requires Turbocharger and Piston Coolers With 0.020"/0.040" Oversized Lower Press Fit Sleeves OE Main Bearing Number(s) 3801260 OE Rod Bearing Number(s) 214950	Kit Number	459-1303	459-5302		
		Cylinder Sleeve Assembly	226-1860	6	226-1860	6
		Main Bearing Set	MS-1687P	1	MS-1687P	1
		Undersizes	P-10-20-30		P-10-20-30	
		Connecting Rod Bearing (Pair)	CB-1226P	6	CB-1226P	6
		Undersizes	P-10-20-30-40		P-10-20-30-40	
		Engine Cylinder Head Gasket Set	HS5858-3	1	HS5858-3	1
		Engine Conversion Gasket Set / Engine Oil Pan Gasket Set	CS5858-13	1	OS21996	1

LINE #	NOTES	PART DESCRIPTION	OVERHAUL	QTY	IN-FRAME	QTY
8	Engine Code: 'NT-855 ' 6 Cyl, 14.0L / 855 CID, Bore 139.7mm / 5.500", Stroke 152.4mm / 6.000"; Turbocharged-Aftercooled					8
8.195	Big Cam Connecting Rod Bearings Requires Turbocharger and Piston Coolers With 0.020"/0.040" Oversized Lower Press Fit Sleeves OE Main Bearing Number(s) 3801260 OE Rod Bearing Number(s) 214950	Kit Number	459-1305	459-5302		
		Cylinder Sleeve Assembly	226-1860	6	226-1860	6
		Main Bearing Set	MS-1687P	1	MS-1687P	1
		Undersizes	P-10-20-30		P-10-20-30	
		Connecting Rod Bearing (Pair)	CB-1226P	6	CB-1226P	6
		Undersizes	P-10-20-30-40		P-10-20-30-40	
		Engine Cylinder Head Gasket Set	HS5858-3	1	HS5858-3	1
		Engine Conversion Gasket Set / Engine Oil Pan Gasket Set	CS5858-5	1	OS21996	1
8.196	Small Cam Connecting Rod Bearings Requires Turbocharger and Piston Coolers With 0.020"/0.040" Oversized Lower Press Fit Sleeves OE Main Bearing Number(s) 3801260 OE Rod Bearing Number(s) 203660	Kit Number	459-1304	459-5304		
		Cylinder Sleeve Assembly	226-1860	6	226-1860	6
		Main Bearing Set	MS-1687P	1	MS-1687P	1
		Undersizes	P-10-20-30		P-10-20-30	
		Connecting Rod Bearing (Pair)	CB-625P	6	CB-625P	6
		Undersizes	P-10-20-30		P-10-20-30	
		Engine Cylinder Head Gasket Set / In-frame Overhaul Set	HS5858-3	1	EK3518-1	1
		Engine Conversion Gasket Set	CS5858-13	1		
8.197	Big Cam Connecting Rod Bearings Requires Turbocharger and Piston Coolers With 0.020"/0.040" Oversized Lower Press Fit Sleeves OE Main Bearing Number(s) 3801260 OE Rod Bearing Number(s) 214950	Kit Number	459-1306	459-5306		
		Cylinder Sleeve Assembly	226-1862	6	226-1862	6
		Main Bearing Set	MS-1687P	1	MS-1687P	1
		Undersizes	P-10-20-30		P-10-20-30	
		Connecting Rod Bearing (Pair)	CB-1226P	6	CB-1226P	6
		Undersizes	P-10-20-30-40		P-10-20-30-40	
		Engine Cylinder Head Gasket Set / In-frame Overhaul Set	HS5858-3	1	EK3518-1	1
		Engine Conversion Gasket Set	CS5858-4	1		
8.198	Big Cam Connecting Rod Bearings Requires Turbocharger and Piston Coolers With 0.020"/0.040" Oversized Lower Press Fit Sleeves OE Main Bearing Number(s) 3801260 OE Rod Bearing Number(s) 214950	Kit Number	459-1307	459-5306		
		Cylinder Sleeve Assembly	226-1862	6	226-1862	6
		Main Bearing Set	MS-1687P	1	MS-1687P	1
		Undersizes	P-10-20-30		P-10-20-30	
		Connecting Rod Bearing (Pair)	CB-1226P	6	CB-1226P	6
		Undersizes	P-10-20-30-40		P-10-20-30-40	
		Engine Cylinder Head Gasket Set / In-frame Overhaul Set	HS5858-3	1	EK3518-1	1
		Engine Conversion Gasket Set	CS5858-5	1		

LINE #	NOTES	PART DESCRIPTION	OVERHAUL	QTY	IN-FRAME	QTY
8	Engine Code: 'NT-855 ' 6 Cyl, 14.0L / 855 CID, Bore 139.7mm / 5.500", Stroke 152.4mm / 6.000"; Turbocharged-Aftercooled					8
8.199	Big Cam Connecting Rod Bearings Requires Turbocharger and Piston Coolers With 0.020"/0.040" Oversized Lower Press Fit Sleeves OE Main Bearing Number(s) 3801260 OE Rod Bearing Number(s) 214950	Kit Number	459-1308	459-5306		
		Cylinder Sleeve Assembly	226-1862	6	226-1862	6
		Main Bearing Set	MS-1687P	1	MS-1687P	1
		Undersizes	P-10-20-30		P-10-20-30	
		Connecting Rod Bearing (Pair)	CB-1226P	6	CB-1226P	6
		Undersizes	P-10-20-30-40		P-10-20-30-40	
		Engine Cylinder Head Gasket Set / In-frame Overhaul Set	HS5858-3	1	EK3518-1	1
Engine Conversion Gasket Set	CS5858-2	1				
8.200	Big Cam Connecting Rod Bearings Requires Turbocharger and Piston Coolers With 0.020"/0.040" Oversized Lower Press Fit Sleeves OE Main Bearing Number(s) 3801260 OE Rod Bearing Number(s) 214950	Kit Number	459-1398	459-5306		
		Cylinder Sleeve Assembly	226-1862	6	226-1862	6
		Main Bearing Set	MS-1687P	1	MS-1687P	1
		Undersizes	P-10-20-30		P-10-20-30	
		Connecting Rod Bearing (Pair)	CB-1226P	6	CB-1226P	6
		Undersizes	P-10-20-30-40		P-10-20-30-40	
		Engine Cylinder Head Gasket Set / In-frame Overhaul Set	HS5858-3	1	EK3518-1	1
Engine Conversion Gasket Set	CS5858-13	1				
8.201	Big Cam Connecting Rod Bearings Requires Turbocharger and Piston Coolers With 0.020"/0.040" Oversized Lower Press Fit Sleeves OE Main Bearing Number(s) 3801260 OE Rod Bearing Number(s) 214950	Kit Number	459-1309	459-5309		
		Cylinder Sleeve Assembly	226-1862	6	226-1862	6
		Main Bearing Set	MS-1687P	1	MS-1687P	1
		Undersizes	P-10-20-30		P-10-20-30	
		Connecting Rod Bearing (Pair)	CB-1226P	6	CB-1226P	6
		Undersizes	P-10-20-30-40		P-10-20-30-40	
		Engine Cylinder Head Gasket Set / In-frame Overhaul Set	HS5858-16	1	EK3520-1	1
Engine Conversion Gasket Set	CS5858-6	1				
8.202	Small Cam Connecting Rod Bearings Requires Turbocharger and Piston Coolers With 0.020"/0.040" Oversized Lower Press Fit Sleeves OE Main Bearing Number(s) 3801260 OE Rod Bearing Number(s) 203660	Kit Number	459-1310	459-5310		
		Cylinder Sleeve Assembly	226-1862	6	226-1862	6
		Main Bearing Set	MS-1687P	1	MS-1687P	1
		Undersizes	P-10-20-30		P-10-20-30	
		Connecting Rod Bearing (Pair)	CB-625P	6	CB-625P	6
		Undersizes	P-10-20-30		P-10-20-30	
		Engine Cylinder Head Gasket Set / In-frame Overhaul Set	HS5858-3	1	EK3518-1	1
Engine Conversion Gasket Set	CS5858-13	1				

LINE #	NOTES	PART DESCRIPTION	OVERHAUL	QTY	IN-FRAME	QTY
8	Engine Code: 'NT-855 '					8
	6 Cyl, 14.0L / 855 CID, Bore 139.7mm / 5.500", Stroke 152.4mm / 6.000"; Turbocharged-Aftercooled					
8.203	Small Cam Connecting Rod Bearings Requires Turbocharger and Piston Coolers With 0.020"/0.040" Oversized Lower Press Fit Sleeves OE Main Bearing Number(s) 3801260 OE Rod Bearing Number(s) 203660	Kit Number	459-1311		459-5310	
		Cylinder Sleeve Assembly	226-1862	6	226-1862	6
		Main Bearing Set	MS-1687P	1	MS-1687P	1
		Undersizes	P-10-20-30		P-10-20-30	
		Connecting Rod Bearing (Pair)	CB-625P	6	CB-625P	6
		Undersizes	P-10-20-30		P-10-20-30	
		Engine Cylinder Head Gasket Set / In-frame Overhaul Set	HS5858-3	1	EK3518-1	1
		Engine Conversion Gasket Set	CS5858-2	1		
8.204	Big Cam Connecting Rod Bearings Premium Plus Sleeve Assembly With 0.020"/0.040" Oversized Lower Press Fit Sleeves OE Main Bearing Number(s) 3801260 OE Rod Bearing Number(s) 214950	Kit Number	459-1329		459-5329	
		Cylinder Sleeve Assembly	226-1873	6	226-1873	6
		Main Bearing Set	MS-1687P	1	MS-1687P	1
		Undersizes	P-10-20-30		P-10-20-30	
		Connecting Rod Bearing (Pair)	CB-1226P	6	CB-1226P	6
		Undersizes	P-10-20-30-40		P-10-20-30-40	
		Engine Cylinder Head Gasket Set / In-frame Overhaul Set	HS5858-3	1	EK3518-1	1
		Engine Conversion Gasket Set	CS5858-4	1		
8.205	Big Cam Connecting Rod Bearings Premium Plus Sleeve Assembly With 0.020"/0.040" Oversized Lower Press Fit Sleeves OE Main Bearing Number(s) 3801260 OE Rod Bearing Number(s) 214950	Kit Number	459-1330		459-5329	
		Cylinder Sleeve Assembly	226-1873	6	226-1873	6
		Main Bearing Set	MS-1687P	1	MS-1687P	1
		Undersizes	P-10-20-30		P-10-20-30	
		Connecting Rod Bearing (Pair)	CB-1226P	6	CB-1226P	6
		Undersizes	P-10-20-30-40		P-10-20-30-40	
		Engine Cylinder Head Gasket Set / In-frame Overhaul Set	HS5858-3	1	EK3518-1	1
		Engine Conversion Gasket Set	CS5858-13	1		
8.206	Big Cam Connecting Rod Bearings Premium Plus Sleeve Assembly With 0.020"/0.040" Oversized Lower Press Fit Sleeves OE Main Bearing Number(s) 3801260 OE Rod Bearing Number(s) 214950	Kit Number	459-1331		459-5329	
		Cylinder Sleeve Assembly	226-1873	6	226-1873	6
		Main Bearing Set	MS-1687P	1	MS-1687P	1
		Undersizes	P-10-20-30		P-10-20-30	
		Connecting Rod Bearing (Pair)	CB-1226P	6	CB-1226P	6
		Undersizes	P-10-20-30-40		P-10-20-30-40	
		Engine Cylinder Head Gasket Set / In-frame Overhaul Set	HS5858-3	1	EK3518-1	1
		Engine Conversion Gasket Set	CS5858-5	1		

LINE #	NOTES	PART DESCRIPTION	OVERHAUL	QTY	IN-FRAME	QTY
8	Engine Code: 'NT-855 ' 6 Cyl, 14.0L / 855 CID, Bore 139.7mm / 5.500", Stroke 152.4mm / 6.000"; Turbocharged-Aftercooled					8
8.207	Big Cam Connecting Rod Bearings Premium Plus Sleeve Assembly With 0.020"/0.040" Oversized Lower Press Fit Sleeves OE Main Bearing Number(s) 3801260 OE Rod Bearing Number(s) 214950	Kit Number	459-1332	459-5329		
		Cylinder Sleeve Assembly	226-1873	6	226-1873	6
		Main Bearing Set	MS-1687P	1	MS-1687P	1
		Undersizes	P-10-20-30		P-10-20-30	
		Connecting Rod Bearing (Pair)	CB-1226P	6	CB-1226P	6
		Undersizes	P-10-20-30-40		P-10-20-30-40	
		Engine Cylinder Head Gasket Set / In-frame Overhaul Set	HS5858-3	1	EK3518-1	1
Engine Conversion Gasket Set	CS5858-2	1				
8.208	Big Cam Connecting Rod Bearings Premium Plus Sleeve Assembly With 0.020"/0.040" Oversized Lower Press Fit Sleeves OE Main Bearing Number(s) 3801260 OE Rod Bearing Number(s) 214950	Kit Number	459-1333	459-5333		
		Cylinder Sleeve Assembly	226-1873	6	226-1873	6
		Main Bearing Set	MS-1687P	1	MS-1687P	1
		Undersizes	P-10-20-30		P-10-20-30	
		Connecting Rod Bearing (Pair)	CB-1226P	6	CB-1226P	6
		Undersizes	P-10-20-30-40		P-10-20-30-40	
		Engine Cylinder Head Gasket Set / In-frame Overhaul Set	HS5858-16	1	EK3520-1	1
Engine Conversion Gasket Set	CS5858-6	1				
8.209	Small Cam Connecting Rod Bearings Premium Plus Sleeve Assembly With 0.020"/0.040" Oversized Lower Press Fit Sleeves OE Main Bearing Number(s) 3801260 OE Rod Bearing Number(s) 203660	Kit Number	459-1334	459-5334		
		Cylinder Sleeve Assembly	226-1873	6	226-1873	6
		Main Bearing Set	MS-1687P	1	MS-1687P	1
		Undersizes	P-10-20-30		P-10-20-30	
		Connecting Rod Bearing (Pair)	CB-625P	6	CB-625P	6
		Undersizes	P-10-20-30		P-10-20-30	
		Engine Cylinder Head Gasket Set / In-frame Overhaul Set	HS5858-3	1	EK3518-1	1
Engine Conversion Gasket Set	CS5858-13	1				
8.210	Small Cam Connecting Rod Bearings Premium Plus Sleeve Assembly With 0.020"/0.040" Oversized Lower Press Fit Sleeves OE Main Bearing Number(s) 3801260 OE Rod Bearing Number(s) 203660	Kit Number	459-1335	459-5334		
		Cylinder Sleeve Assembly	226-1873	6	226-1873	6
		Main Bearing Set	MS-1687P	1	MS-1687P	1
		Undersizes	P-10-20-30		P-10-20-30	
		Connecting Rod Bearing (Pair)	CB-625P	6	CB-625P	6
		Undersizes	P-10-20-30		P-10-20-30	
		Engine Cylinder Head Gasket Set / In-frame Overhaul Set	HS5858-3	1	EK3518-1	1
Engine Conversion Gasket Set	CS5858-2	1				

LINE #	NOTES	PART DESCRIPTION	OVERHAUL	QTY	IN-FRAME	QTY
8	Engine Code: 'NT-855 ' 6 Cyl, 14.0L / 855 CID, Bore 139.7mm / 5.500", Stroke 152.4mm / 6.000"; Turbocharged-Aftercooled					8
8.211	Big Cam Connecting Rod Bearings Requires Turbocharger and Piston Coolers With 0.020"/0.040" Oversized Lower Press Fit Sleeves OE Main Bearing Number(s) 3801260 OE Rod Bearing Number(s) 214950	Kit Number	459-1336	459-5336		
		Cylinder Sleeve Assembly	226-1874	6	226-1874	6
		Main Bearing Set	MS-1687P	1	MS-1687P	1
		Undersizes	P-10-20-30		P-10-20-30	
		Connecting Rod Bearing (Pair)	CB-1226P	6	CB-1226P	6
		Undersizes	P-10-20-30-40		P-10-20-30-40	
		Engine Cylinder Head Gasket Set / In-frame Overhaul Set	HS5858-3	1	EK3518-1	1
		Engine Conversion Gasket Set	CS5858-4	1		
8.212	Big Cam Connecting Rod Bearings Requires Turbocharger and Piston Coolers With 0.020"/0.040" Oversized Lower Press Fit Sleeves OE Main Bearing Number(s) 3801260 OE Rod Bearing Number(s) 214950	Kit Number	459-1337	459-5336		
		Cylinder Sleeve Assembly	226-1874	6	226-1874	6
		Main Bearing Set	MS-1687P	1	MS-1687P	1
		Undersizes	P-10-20-30		P-10-20-30	
		Connecting Rod Bearing (Pair)	CB-1226P	6	CB-1226P	6
		Undersizes	P-10-20-30-40		P-10-20-30-40	
		Engine Cylinder Head Gasket Set / In-frame Overhaul Set	HS5858-3	1	EK3518-1	1
		Engine Conversion Gasket Set	CS5858-13	1		
8.213	Small Cam Connecting Rod Bearings Requires Turbocharger and Piston Coolers With 0.020"/0.040" Oversized Lower Press Fit Sleeves OE Main Bearing Number(s) 3801260 OE Rod Bearing Number(s) 203660	Kit Number	459-1339	459-5339		
		Cylinder Sleeve Assembly	226-1874	6	226-1874	6
		Main Bearing Set	MS-1687P	1	MS-1687P	1
		Undersizes	P-10-20-30		P-10-20-30	
		Connecting Rod Bearing (Pair)	CB-625P	6	CB-625P	6
		Undersizes	P-10-20-30		P-10-20-30	
		Engine Cylinder Head Gasket Set / In-frame Overhaul Set	HS5858-3	1	EK3518-1	1
		Engine Conversion Gasket Set	CS5858-4	1		
8.214	Small Cam Connecting Rod Bearings Requires Turbocharger and Piston Coolers With 0.020"/0.040" Oversized Lower Press Fit Sleeves OE Main Bearing Number(s) 3801260 OE Rod Bearing Number(s) 203660	Kit Number	459-1340	459-5339		
		Cylinder Sleeve Assembly	226-1874	6	226-1874	6
		Main Bearing Set	MS-1687P	1	MS-1687P	1
		Undersizes	P-10-20-30		P-10-20-30	
		Connecting Rod Bearing (Pair)	CB-625P	6	CB-625P	6
		Undersizes	P-10-20-30		P-10-20-30	
		Engine Cylinder Head Gasket Set / In-frame Overhaul Set	HS5858-3	1	EK3518-1	1
		Engine Conversion Gasket Set	CS5858-13	1		

LINE #	NOTES	PART DESCRIPTION	OVERHAUL	QTY	IN-FRAME	QTY
8	Engine Code: 'NT-855 ' 6 Cyl, 14.0L / 855 CID, Bore 139.7mm / 5.500", Stroke 152.4mm / 6.000"; Turbocharged-Aftercooled					8
8.215	Big Cam Connecting Rod Bearings Requires Turbocharger and Piston Coolers With 0.020"/0.040" Oversized Lower Press Fit Sleeves OE Main Bearing Number(s) 3801260 OE Rod Bearing Number(s) 214950	Kit Number	459-1344	459-5342		
		Cylinder Sleeve Assembly	226-1883	6	226-1883	6
		Main Bearing Set	MS-1687P	1	MS-1687P	1
		Undersizes	P-10-20-30		P-10-20-30	
		Connecting Rod Bearing (Pair)	CB-1226P	6	CB-1226P	6
		Undersizes	P-10-20-30-40		P-10-20-30-40	
		Engine Cylinder Head Gasket Set / In-frame Overhaul Set	HS5858-3	1	EK3518-1	1
		Engine Conversion Gasket Set	CS5858-4	1		
8.216	Big Cam Connecting Rod Bearings Requires Turbocharger and Piston Coolers With 0.020"/0.040" Oversized Lower Press Fit Sleeves OE Main Bearing Number(s) 3801260 OE Rod Bearing Number(s) 214950	Kit Number	459-1345	459-5342		
		Cylinder Sleeve Assembly	226-1883	6	226-1883	6
		Main Bearing Set	MS-1687P	1	MS-1687P	1
		Undersizes	P-10-20-30		P-10-20-30	
		Connecting Rod Bearing (Pair)	CB-1226P	6	CB-1226P	6
		Undersizes	P-10-20-30-40		P-10-20-30-40	
		Engine Cylinder Head Gasket Set / In-frame Overhaul Set	HS5858-3	1	EK3518-1	1
		Engine Conversion Gasket Set	CS5858-5	1		
8.217	Big Cam Connecting Rod Bearings Requires Turbocharger and Piston Coolers With 0.020"/0.040" Oversized Lower Press Fit Sleeves OE Main Bearing Number(s) 3801260 OE Rod Bearing Number(s) 214950	Kit Number	459-1346	459-5342		
		Cylinder Sleeve Assembly	226-1883	6	226-1883	6
		Main Bearing Set	MS-1687P	1	MS-1687P	1
		Undersizes	P-10-20-30		P-10-20-30	
		Connecting Rod Bearing (Pair)	CB-1226P	6	CB-1226P	6
		Undersizes	P-10-20-30-40		P-10-20-30-40	
		Engine Cylinder Head Gasket Set / In-frame Overhaul Set	HS5858-3	1	EK3518-1	1
		Engine Conversion Gasket Set	CS5858-2	1		
8.218	Big Cam Connecting Rod Bearings Requires Turbocharger and Piston Coolers With 0.020"/0.040" Oversized Lower Press Fit Sleeves OE Main Bearing Number(s) 3801260 OE Rod Bearing Number(s) 214950	Kit Number	459-1449	459-5342		
		Cylinder Sleeve Assembly	226-1883	6	226-1883	6
		Main Bearing Set	MS-1687P	1	MS-1687P	1
		Undersizes	P-10-20-30		P-10-20-30	
		Connecting Rod Bearing (Pair)	CB-1226P	6	CB-1226P	6
		Undersizes	P-10-20-30-40		P-10-20-30-40	
		Engine Cylinder Head Gasket Set / In-frame Overhaul Set	HS5858-3	1	EK3518-1	1
		Engine Conversion Gasket Set	CS5858-13	1		

LINE #	NOTES	PART DESCRIPTION	OVERHAUL	QTY	IN-FRAME	QTY
8	Engine Code: 'NT-855 ' 6 Cyl, 14.0L / 855 CID, Bore 139.7mm / 5.500", Stroke 152.4mm / 6.000"; Turbocharged-Aftercooled					8
8.219	Small Cam Connecting Rod Bearings Requires Turbocharger and Piston Coolers With 0.020"/0.040" Oversized Lower Press Fit Sleeves OE Main Bearing Number(s) 3801260 OE Rod Bearing Number(s) 203660	Kit Number	459-1348		459-5348	
		Cylinder Sleeve Assembly	226-1883	6	226-1883	6
		Main Bearing Set	MS-1687P	1	MS-1687P	1
		Undersizes	P-10-20-30		P-10-20-30	
		Connecting Rod Bearing (Pair)	CB-625P	6	CB-625P	6
		Undersizes	P-10-20-30		P-10-20-30	
		Engine Cylinder Head Gasket Set / In-frame Overhaul Set	HS5858-3	1	EK3518-1	1
		Engine Conversion Gasket Set	CS5858-4	1		
8.220	Small Cam Connecting Rod Bearings Requires Turbocharger and Piston Coolers With 0.020"/0.040" Oversized Lower Press Fit Sleeves OE Main Bearing Number(s) 3801260 OE Rod Bearing Number(s) 203660	Kit Number	459-1349		459-5348	
		Cylinder Sleeve Assembly	226-1883	6	226-1883	6
		Main Bearing Set	MS-1687P	1	MS-1687P	1
		Undersizes	P-10-20-30		P-10-20-30	
		Connecting Rod Bearing (Pair)	CB-625P	6	CB-625P	6
		Undersizes	P-10-20-30		P-10-20-30	
		Engine Cylinder Head Gasket Set / In-frame Overhaul Set	HS5858-3	1	EK3518-1	1
		Engine Conversion Gasket Set	CS5858-2	1		
8.221	Big Cam Connecting Rod Bearings Requires Turbocharger and Piston Coolers With 0.020"/0.040" Oversized Lower Press Fit Sleeves OE Main Bearing Number(s) 3801260 OE Rod Bearing Number(s) 214950	Kit Number	459-1350		459-5350	
		Cylinder Sleeve Assembly	226-1884	6	226-1884	6
		Main Bearing Set	MS-1687P	1	MS-1687P	1
		Undersizes	P-10-20-30		P-10-20-30	
		Connecting Rod Bearing (Pair)	CB-1226P	6	CB-1226P	6
		Undersizes	P-10-20-30-40		P-10-20-30-40	
		Engine Cylinder Head Gasket Set / In-frame Overhaul Set	HS5858-3	1	EK3518-1	1
		Engine Conversion Gasket Set	CS5858-13	1		
8.222	Big Cam Connecting Rod Bearings Requires Turbocharger and Piston Coolers With 0.020"/0.040" Oversized Lower Press Fit Sleeves OE Main Bearing Number(s) 3801260 OE Rod Bearing Number(s) 214950	Kit Number	459-1351		459-5351	
		Cylinder Sleeve Assembly	226-1884	6	226-1884	6
		Main Bearing Set	MS-1687P	1	MS-1687P	1
		Undersizes	P-10-20-30		P-10-20-30	
		Connecting Rod Bearing (Pair)	CB-1226P	6	CB-1226P	6
		Undersizes	P-10-20-30-40		P-10-20-30-40	
		Engine Cylinder Head Gasket Set / In-frame Overhaul Set	HS5858-3	1	EK3518-1	1
		Engine Conversion Gasket Set	CS5858-4	1		

LINE #	NOTES	PART DESCRIPTION	OVERHAUL	QTY	IN-FRAME	QTY
8	Engine Code: 'NT-855 ' 6 Cyl, 14.0L / 855 CID, Bore 139.7mm / 5.500", Stroke 152.4mm / 6.000"; Turbocharged-Aftercooled					8
8.223	Big Cam Connecting Rod Bearings Requires Turbocharger and Piston Coolers With 0.020"/0.040" Oversized Lower Press Fit Sleeves OE Main Bearing Number(s) 3801260 OE Rod Bearing Number(s) 214950	Kit Number	459-1353	459-5351		
		Cylinder Sleeve Assembly	226-1884	6	226-1884	6
		Main Bearing Set	MS-1687P	1	MS-1687P	1
		Undersizes	P-10-20-30		P-10-20-30	
		Connecting Rod Bearing (Pair)	CB-1226P	6	CB-1226P	6
		Undersizes	P-10-20-30-40		P-10-20-30-40	
		Engine Cylinder Head Gasket Set / In-frame Overhaul Set	HS5858-3	1	EK3518-1	1
Engine Conversion Gasket Set	CS5858-13	1				
8.224	Big Cam Connecting Rod Bearings Requires Turbocharger and Piston Coolers With 0.020"/0.040" Oversized Lower Press Fit Sleeves OE Main Bearing Number(s) 3801260 OE Rod Bearing Number(s) 214950	Kit Number	459-1354	459-5351		
		Cylinder Sleeve Assembly	226-1884	6	226-1884	6
		Main Bearing Set	MS-1687P	1	MS-1687P	1
		Undersizes	P-10-20-30		P-10-20-30	
		Connecting Rod Bearing (Pair)	CB-1226P	6	CB-1226P	6
		Undersizes	P-10-20-30-40		P-10-20-30-40	
		Engine Cylinder Head Gasket Set / In-frame Overhaul Set	HS5858-3	1	EK3518-1	1
Engine Conversion Gasket Set	CS5858-5	1				
8.225	Big Cam Connecting Rod Bearings Requires Turbocharger and Piston Coolers With 0.020"/0.040" Oversized Lower Press Fit Sleeves OE Main Bearing Number(s) 3801260 OE Rod Bearing Number(s) 214950	Kit Number	459-1355	459-5351		
		Cylinder Sleeve Assembly	226-1884	6	226-1884	6
		Main Bearing Set	MS-1687P	1	MS-1687P	1
		Undersizes	P-10-20-30		P-10-20-30	
		Connecting Rod Bearing (Pair)	CB-1226P	6	CB-1226P	6
		Undersizes	P-10-20-30-40		P-10-20-30-40	
		Engine Cylinder Head Gasket Set / In-frame Overhaul Set	HS5858-3	1	EK3518-1	1
Engine Conversion Gasket Set	CS5858-2	1				
8.226	Small Cam Connecting Rod Bearings Requires Turbocharger and Piston Coolers With 0.020"/0.040" Oversized Lower Press Fit Sleeves OE Main Bearing Number(s) 3801260 OE Rod Bearing Number(s) 203660	Kit Number	459-1357	459-5357		
		Cylinder Sleeve Assembly	226-1884	6	226-1884	6
		Main Bearing Set	MS-1687P	1	MS-1687P	1
		Undersizes	P-10-20-30		P-10-20-30	
		Connecting Rod Bearing (Pair)	CB-625P	6	CB-625P	6
		Undersizes	P-10-20-30		P-10-20-30	
		Engine Cylinder Head Gasket Set / In-frame Overhaul Set	HS5858-3	1	EK3518-1	1
Engine Conversion Gasket Set	CS5858-4	1				

LINE #	NOTES	PART DESCRIPTION	OVERHAUL	QTY	IN-FRAME	QTY
8	Engine Code: 'NT-855 ' 6 Cyl, 14.0L / 855 CID, Bore 139.7mm / 5.500", Stroke 152.4mm / 6.000"; Turbocharged-Aftercooled					8
8.227	Small Cam Connecting Rod Bearings Requires Turbocharger and Piston Coolers With 0.020"/0.040" Oversized Lower Press Fit Sleeves OE Main Bearing Number(s) 3801260 OE Rod Bearing Number(s) 203660	Kit Number	459-1358	459-5357		
		Cylinder Sleeve Assembly	226-1884	6	226-1884	6
		Main Bearing Set	MS-1687P	1	MS-1687P	1
		Undersizes	P-10-20-30		P-10-20-30	
		Connecting Rod Bearing (Pair)	CB-625P	6	CB-625P	6
		Undersizes	P-10-20-30		P-10-20-30	
		Engine Cylinder Head Gasket Set / In-frame Overhaul Set	HS5858-3	1	EK3518-1	1
		Engine Conversion Gasket Set	CS5858-13	1		
8.228	Small Cam Connecting Rod Bearings Requires Turbocharger and Piston Coolers With 0.020"/0.040" Oversized Lower Press Fit Sleeves OE Main Bearing Number(s) 3801260 OE Rod Bearing Number(s) 203660	Kit Number	459-1359	459-5357		
		Cylinder Sleeve Assembly	226-1884	6	226-1884	6
		Main Bearing Set	MS-1687P	1	MS-1687P	1
		Undersizes	P-10-20-30		P-10-20-30	
		Connecting Rod Bearing (Pair)	CB-625P	6	CB-625P	6
		Undersizes	P-10-20-30		P-10-20-30	
		Engine Cylinder Head Gasket Set / In-frame Overhaul Set	HS5858-3	1	EK3518-1	1
		Engine Conversion Gasket Set	CS5858-2	1		
8.229	Small Cam Connecting Rod Bearings C3 Premium Plus Sleeve Assembly With Standard Size Sleeve OE Main Bearing Number(s) 3801260 OE Rod Bearing Number(s) 203660	Kit Number	459-1365	459-5365		
		Cylinder Sleeve Assembly	226-1905	6	226-1905	6
		Main Bearing Set	MS-1687P	1	MS-1687P	1
		Undersizes	P-10-20-30		P-10-20-30	
		Connecting Rod Bearing (Pair)	CB-625P	6	CB-625P	6
		Undersizes	P-10-20-30		P-10-20-30	
		Engine Cylinder Head Gasket Set / In-frame Overhaul Set	HS5858-3	1	EK3518-1	1
		Engine Conversion Gasket Set	CS5858-13	1		
8.230	Small Cam Connecting Rod Bearings C3 Premium Plus Sleeve Assembly With Standard Size Sleeve OE Main Bearing Number(s) 3801260 OE Rod Bearing Number(s) 203660	Kit Number	459-1366	459-5365		
		Cylinder Sleeve Assembly	226-1905	6	226-1905	6
		Main Bearing Set	MS-1687P	1	MS-1687P	1
		Undersizes	P-10-20-30		P-10-20-30	
		Connecting Rod Bearing (Pair)	CB-625P	6	CB-625P	6
		Undersizes	P-10-20-30		P-10-20-30	
		Engine Cylinder Head Gasket Set / In-frame Overhaul Set	HS5858-3	1	EK3518-1	1
		Engine Conversion Gasket Set	CS5858-4	1		

LINE #	NOTES	PART DESCRIPTION	OVERHAUL	QTY	IN-FRAME	QTY
8	Engine Code: 'NT-855 ' 6 Cyl, 14.0L / 855 CID, Bore 139.7mm / 5.500", Stroke 152.4mm / 6.000"; Turbocharged-Aftercooled					8
8.231	Small Cam Connecting Rod Bearings C3 Premium Plus Sleeve Assembly With Standard Size Sleeve OE Main Bearing Number(s) 3801260 OE Rod Bearing Number(s) 203660	Kit Number	459-1367	459-5365		
		Cylinder Sleeve Assembly	226-1905	6	226-1905	6
		Main Bearing Set	MS-1687P	1	MS-1687P	1
		Undersizes	P-10-20-30		P-10-20-30	
		Connecting Rod Bearing (Pair)	CB-625P	6	CB-625P	6
		Undersizes	P-10-20-30		P-10-20-30	
		Engine Cylinder Head Gasket Set / In-frame Overhaul Set	HS5858-3	1	EK3518-1	1
		Engine Conversion Gasket Set	CS5858-2	1		
8.232	Small Cam Connecting Rod Bearings C3 Premium Plus Sleeve Assembly With 0.020"/0.040" Oversized Lower Press Fit Sleeves OE Main Bearing Number(s) 3801260 OE Rod Bearing Number(s) 203660	Kit Number	459-1378	459-5378		
		Cylinder Sleeve Assembly	226-1907	6	226-1907	6
		Main Bearing Set	MS-1687P	1	MS-1687P	1
		Undersizes	P-10-20-30		P-10-20-30	
		Connecting Rod Bearing (Pair)	CB-625P	6	CB-625P	6
		Undersizes	P-10-20-30		P-10-20-30	
		Engine Cylinder Head Gasket Set / In-frame Overhaul Set	HS5858-3	1	EK3518-1	1
		Engine Conversion Gasket Set	CS5858-13	1		
8.233	Small Cam Connecting Rod Bearings C3 Premium Plus Sleeve Assembly With 0.020"/0.040" Oversized Lower Press Fit Sleeves OE Main Bearing Number(s) 3801260 OE Rod Bearing Number(s) 203660	Kit Number	459-1379	459-5378		
		Cylinder Sleeve Assembly	226-1907	6	226-1907	6
		Main Bearing Set	MS-1687P	1	MS-1687P	1
		Undersizes	P-10-20-30		P-10-20-30	
		Connecting Rod Bearing (Pair)	CB-625P	6	CB-625P	6
		Undersizes	P-10-20-30		P-10-20-30	
		Engine Cylinder Head Gasket Set / In-frame Overhaul Set	HS5858-3	1	EK3518-1	1
		Engine Conversion Gasket Set	CS5858-4	1		
8.234	Small Cam Connecting Rod Bearings C3 Premium Plus Sleeve Assembly With 0.020"/0.040" Oversized Lower Press Fit Sleeves OE Main Bearing Number(s) 3801260 OE Rod Bearing Number(s) 203660	Kit Number	459-1380	459-5378		
		Cylinder Sleeve Assembly	226-1907	6	226-1907	6
		Main Bearing Set	MS-1687P	1	MS-1687P	1
		Undersizes	P-10-20-30		P-10-20-30	
		Connecting Rod Bearing (Pair)	CB-625P	6	CB-625P	6
		Undersizes	P-10-20-30		P-10-20-30	
		Engine Cylinder Head Gasket Set / In-frame Overhaul Set	HS5858-3	1	EK3518-1	1
		Engine Conversion Gasket Set	CS5858-2	1		

LINE #	NOTES	PART DESCRIPTION	OVERHAUL	QTY	IN-FRAME	QTY
9	Engine Code: 'N14' 6 Cyl, 14.0L / 855 CID, Bore 139.7mm / 5.500", Stroke 152.4mm / 6.000"; Turbocharged-Aftercooled					9
9.1	All Pistons Are Dual Ni-Resist Type And Must Be Used In Full Sets Only Or Used In Replacing Existing Dual Ni-Resist Pistons With Standard Size Sleeve STC Engines OE Main Bearing Number(s) 3801260 OE Rod Bearing Number(s) 3055145	Kit Number	459-1187	459-5187		
		Cylinder Sleeve Assembly	226-1903	6	226-1903	6
		Main Bearing Set	MS-1687P	1	MS-1687P	1
		Undersizes	P-10-20-30		P-10-20-30	
		Connecting Rod Bearing (Pair)	CB-1616P	6	CB-1616P	6
		Undersizes	P-10-20		P-10-20	
		Engine Cylinder Head Gasket Set	HS5858AH	1	HS5858AH	1
		Engine Conversion Gasket Set / Engine Oil Pan Gasket Set	CS54123-1	1	OS21996	1
9.2	All Pistons Are Dual Ni-Resist Type And Must Be Used In Full Sets Only Or Used In Replacing Existing Dual Ni-Resist Pistons With Standard Size Sleeve CELECT Engines OE Main Bearing Number(s) 3801260 OE Rod Bearing Number(s) 3055145	Kit Number	459-1188	459-5188		
		Cylinder Sleeve Assembly	226-1911	6	226-1911	6
		Main Bearing Set	MS-1687P	1	MS-1687P	1
		Undersizes	P-10-20-30		P-10-20-30	
		Connecting Rod Bearing (Pair)	CB-1616P	6	CB-1616P	6
		Undersizes	P-10-20		P-10-20	
		Engine Cylinder Head Gasket Set	HS54123	1	HS54123	1
		Engine Conversion Gasket Set / Engine Oil Pan Gasket Set	CS54123-2	1	OS21996	1
9.3	Premium Plus Sleeve Assembly With Standard Size Sleeve STC Engines OE Main Bearing Number(s) 3801260 OE Rod Bearing Number(s) 3055145	Kit Number	459-1189	459-5189		
		Cylinder Sleeve Assembly	226-1903	6	226-1903	6
		Main Bearing Set	MS-1687P	1	MS-1687P	1
		Undersizes	P-10-20-30		P-10-20-30	
		Connecting Rod Bearing (Pair)	CB-1616P	6	CB-1616P	6
		Undersizes	P-10-20		P-10-20	
		Engine Cylinder Head Gasket Set	HS5858AH	1	HS5858AH	1
		Engine Conversion Gasket Set / Engine Oil Pan Gasket Set	CS54123-1	1	OS21996	1
9.4	Contains Pistons With Dual Ni-Resist Inserts With 0.020"/0.040" Oversized Lower Press Fit Sleeves STC Engines OE Main Bearing Number(s) 3801260 OE Rod Bearing Number(s) 3055145	Kit Number	459-1381	459-5381		
		Cylinder Sleeve Assembly	226-1908	6	226-1908	6
		Main Bearing Set	MS-1687P	1	MS-1687P	1
		Undersizes	P-10-20-30		P-10-20-30	
		Connecting Rod Bearing (Pair)	CB-1616P	6	CB-1616P	6
		Undersizes	P-10-20		P-10-20	
		Engine Cylinder Head Gasket Set	HS5858AH	1	HS5858AH	1
		Engine Conversion Gasket Set / Engine Oil Pan Gasket Set	CS54123-1	1	OS21996	1

LINE #	NOTES	PART DESCRIPTION	OVERHAUL	QTY	IN-FRAME	QTY
9	Engine Code: 'N14' 6 Cyl, 14.0L / 855 CID, Bore 139.7mm / 5.500", Stroke 152.4mm / 6.000"; Turbocharged-Aftercooled					9
9.5	Contains Pistons With Dual Ni-Resist Inserts With 0.020"/0.040" Oversized Lower Press Fit Sleeves CELECT Engines OE Main Bearing Number(s) 3801260 OE Rod Bearing Number(s) 3055145	Kit Number	459-1396	459-5396		
		Cylinder Sleeve Assembly	226-1912	6	226-1912	6
		Main Bearing Set	MS-1687P	1	MS-1687P	1
		Undersizes	P-10-20-30		P-10-20-30	
		Connecting Rod Bearing (Pair)	CB-1616P	6	CB-1616P	6
		Undersizes	P-10-20		P-10-20	
		Engine Cylinder Head Gasket Set	HS54123	1	HS54123	1
		Engine Conversion Gasket Set / Engine Oil Pan Gasket Set	CS54123-2	1	OS21996	1
9.6	Celect Large Shaft Accessory Drive OE Main Bearing Number(s) 3801260 OE Rod Bearing Number(s) 3055145	Kit Number	459-1467	459-5441		
		Cylinder Sleeve Assembly	226-2041	6	226-2041	6
		Main Bearing Set	MS-1687P	1	MS-1687P	1
		Undersizes	P-10-20-30		P-10-20-30	
		Connecting Rod Bearing (Pair)	CB-1616P	6	CB-1616P	6
		Undersizes	P-10-20		P-10-20	
		Engine Cylinder Head Gasket Set / In-frame Overhaul Set	HS54123	1	EK3539	1
		Engine Conversion Gasket Set	CS54123-2	1		
9.7	Celect Small Shaft Accessory Drive OE Main Bearing Number(s) 3801260 OE Rod Bearing Number(s) 3055145	Kit Number	459-1468	459-5441		
		Cylinder Sleeve Assembly	226-2041	6	226-2041	6
		Main Bearing Set	MS-1687P	1	MS-1687P	1
		Undersizes	P-10-20-30		P-10-20-30	
		Connecting Rod Bearing (Pair)	CB-1616P	6	CB-1616P	6
		Undersizes	P-10-20		P-10-20	
		Engine Cylinder Head Gasket Set / In-frame Overhaul Set	HS54123	1	EK3539	1
		Engine Conversion Gasket Set	CS54123-1	1		
9.8	STC Large Shaft Accessory Drive OE Main Bearing Number(s) 3801260 OE Rod Bearing Number(s) 3055145	Kit Number	459-1469	459-5441		
		Cylinder Sleeve Assembly	226-2041	6	226-2041	6
		Main Bearing Set	MS-1687P	1	MS-1687P	1
		Undersizes	P-10-20-30		P-10-20-30	
		Connecting Rod Bearing (Pair)	CB-1616P	6	CB-1616P	6
		Undersizes	P-10-20		P-10-20	
		Engine Cylinder Head Gasket Set / In-frame Overhaul Set	HS5858AH	1	EK3539	1
		Engine Conversion Gasket Set	CS54123-2	1		

LINE #	NOTES	PART DESCRIPTION	OVERHAUL	QTY	IN-FRAME	QTY
9	Engine Code: 'N14' 6 Cyl, 14.0L / 855 CID, Bore 139.7mm / 5.500", Stroke 152.4mm / 6.000"; Turbocharged-Aftercooled					9
9.9	STC Small Shaft Accessory Drive OE Main Bearing Number(s) 3801260 OE Rod Bearing Number(s) 3055145	Kit Number	459-1470	459-5441		
		Cylinder Sleeve Assembly	226-2041	6	226-2041	6
		Main Bearing Set	MS-1687P	1	MS-1687P	1
		Undersizes	P-10-20-30		P-10-20-30	
		Connecting Rod Bearing (Pair)	CB-1616P	6	CB-1616P	6
		Undersizes	P-10-20		P-10-20	
		Engine Cylinder Head Gasket Set / In-frame Overhaul Set	HS5858AH	1	EK3539	1
		Engine Conversion Gasket Set	CS54123-1	1		
9.10	Select With External Oil Lines Small Shaft Accessory Drive OE Main Bearing Number(s) 3801260 OE Rod Bearing Number(s) 3055145	Kit Number	459-1471	459-5441		
		Cylinder Sleeve Assembly	226-2041	6	226-2041	6
		Main Bearing Set	MS-1687P	1	MS-1687P	1
		Undersizes	P-10-20-30		P-10-20-30	
		Connecting Rod Bearing (Pair)	CB-1616P	6	CB-1616P	6
		Undersizes	P-10-20		P-10-20	
		Engine Cylinder Head Gasket Set / In-frame Overhaul Set	HS54123-1	3	EK3539	1
		Engine Conversion Gasket Set	CS54123-1	1		
9.11	Select With External Oil Lines Large Shaft Accessory Drive OE Main Bearing Number(s) 3801260 OE Rod Bearing Number(s) 3055145	Kit Number	459-1472	459-5441		
		Cylinder Sleeve Assembly	226-2041	6	226-2041	6
		Main Bearing Set	MS-1687P	1	MS-1687P	1
		Undersizes	P-10-20-30		P-10-20-30	
		Connecting Rod Bearing (Pair)	CB-1616P	6	CB-1616P	6
		Undersizes	P-10-20		P-10-20	
		Engine Cylinder Head Gasket Set / In-frame Overhaul Set	HS54123-1	3	EK3539	1
		Engine Conversion Gasket Set	CS54123-2	1		
9.12	Select Select Plus Small Shaft Accessory Drive OE Main Bearing Number(s) 3801260 OE Rod Bearing Number(s) 3055145	Kit Number	459-1473	459-5441		
		Cylinder Sleeve Assembly	226-2041	6	226-2041	6
		Main Bearing Set	MS-1687P	1	MS-1687P	1
		Undersizes	P-10-20-30		P-10-20-30	
		Connecting Rod Bearing (Pair)	CB-1616P	6	CB-1616P	6
		Undersizes	P-10-20		P-10-20	
		Engine Cylinder Head Gasket Set / In-frame Overhaul Set	HS54123-4	3	EK3539	1
		Engine Conversion Gasket Set	CS54123-1	1		

LINE #	NOTES	PART DESCRIPTION	OVERHAUL	QTY	IN-FRAME	QTY
9	Engine Code: 'N14' 6 Cyl, 14.0L / 855 CID, Bore 139.7mm / 5.500", Stroke 152.4mm / 6.000"; Turbocharged-Aftercooled					9
9.13	Celect Celect Plus Large Shaft Accessory Drive OE Main Bearing Number(s) 3801260 OE Rod Bearing Number(s) 3055145	Kit Number	459-1474	459-5441		
		Cylinder Sleeve Assembly	226-2041	6	226-2041	6
		Main Bearing Set	MS-1687P	1	MS-1687P	1
		Undersizes	P-10-20-30		P-10-20-30	
		Connecting Rod Bearing (Pair)	CB-1616P	6	CB-1616P	6
		Undersizes	P-10-20		P-10-20	
		Engine Cylinder Head Gasket Set / In-frame Overhaul Set	HS54123-4	3	EK3539	1
Engine Conversion Gasket Set	CS54123-2	1				
9.14	Celect Large Shaft Accessory Drive OE Main Bearing Number(s) 3801260 OE Rod Bearing Number(s) 3055145	Kit Number	459-1475	459-5442		
		Cylinder Sleeve Assembly	226-2040	6	226-2040	6
		Main Bearing Set	MS-1687P	1	MS-1687P	1
		Undersizes	P-10-20-30		P-10-20-30	
		Connecting Rod Bearing (Pair)	CB-1616P	6	CB-1616P	6
		Undersizes	P-10-20		P-10-20	
		Engine Cylinder Head Gasket Set / In-frame Overhaul Set	HS54123	1	EK3539	1
Engine Conversion Gasket Set	CS54123-2	1				
9.15	Celect Small Shaft Accessory Drive OE Main Bearing Number(s) 3801260 OE Rod Bearing Number(s) 3055145	Kit Number	459-1476	459-5442		
		Cylinder Sleeve Assembly	226-2040	6	226-2040	6
		Main Bearing Set	MS-1687P	1	MS-1687P	1
		Undersizes	P-10-20-30		P-10-20-30	
		Connecting Rod Bearing (Pair)	CB-1616P	6	CB-1616P	6
		Undersizes	P-10-20		P-10-20	
		Engine Cylinder Head Gasket Set / In-frame Overhaul Set	HS54123	1	EK3539	1
Engine Conversion Gasket Set	CS54123-1	1				
9.16	STC Large Shaft Accessory Drive OE Main Bearing Number(s) 3801260 OE Rod Bearing Number(s) 3055145	Kit Number	459-1477	459-5442		
		Cylinder Sleeve Assembly	226-2040	6	226-2040	6
		Main Bearing Set	MS-1687P	1	MS-1687P	1
		Undersizes	P-10-20-30		P-10-20-30	
		Connecting Rod Bearing (Pair)	CB-1616P	6	CB-1616P	6
		Undersizes	P-10-20		P-10-20	
		Engine Cylinder Head Gasket Set / In-frame Overhaul Set	HS5858AH	1	EK3539	1
Engine Conversion Gasket Set	CS54123-2	1				

LINE #	NOTES	PART DESCRIPTION	OVERHAUL	QTY	IN-FRAME	QTY
9	Engine Code: 'N14' 6 Cyl, 14.0L / 855 CID, Bore 139.7mm / 5.500", Stroke 152.4mm / 6.000"; Turbocharged-Aftercooled					9
9.17	STC Small Shaft Accessory Drive OE Main Bearing Number(s) 3801260 OE Rod Bearing Number(s) 3055145	Kit Number	459-1478	459-5442		
		Cylinder Sleeve Assembly	226-2040	6	226-2040	6
		Main Bearing Set	MS-1687P	1	MS-1687P	1
		Undersizes	P-10-20-30		P-10-20-30	
		Connecting Rod Bearing (Pair)	CB-1616P	6	CB-1616P	6
		Undersizes	P-10-20		P-10-20	
		Engine Cylinder Head Gasket Set / In-frame Overhaul Set	HS5858AH	1	EK3539	1
		Engine Conversion Gasket Set	CS54123-1	1		
9.18	Select With External Oil Lines Small Shaft Accessory Drive OE Main Bearing Number(s) 3801260 OE Rod Bearing Number(s) 3055145	Kit Number	459-1479	459-5442		
		Cylinder Sleeve Assembly	226-2040	6	226-2040	6
		Main Bearing Set	MS-1687P	1	MS-1687P	1
		Undersizes	P-10-20-30		P-10-20-30	
		Connecting Rod Bearing (Pair)	CB-1616P	6	CB-1616P	6
		Undersizes	P-10-20		P-10-20	
		Engine Cylinder Head Gasket Set / In-frame Overhaul Set	HS54123-1	3	EK3539	1
		Engine Conversion Gasket Set	CS54123-1	1		
9.19	Select With External Oil Lines Large Shaft Accessory Drive OE Main Bearing Number(s) 3801260 OE Rod Bearing Number(s) 3055145	Kit Number	459-1480	459-5442		
		Cylinder Sleeve Assembly	226-2040	6	226-2040	6
		Main Bearing Set	MS-1687P	1	MS-1687P	1
		Undersizes	P-10-20-30		P-10-20-30	
		Connecting Rod Bearing (Pair)	CB-1616P	6	CB-1616P	6
		Undersizes	P-10-20		P-10-20	
		Engine Cylinder Head Gasket Set / In-frame Overhaul Set	HS54123-1	3	EK3539	1
		Engine Conversion Gasket Set	CS54123-2	1		
9.20	Select Select Plus Small Shaft Accessory Drive OE Main Bearing Number(s) 3801260 OE Rod Bearing Number(s) 3055145	Kit Number	459-1481	459-5442		
		Cylinder Sleeve Assembly	226-2040	6	226-2040	6
		Main Bearing Set	MS-1687P	1	MS-1687P	1
		Undersizes	P-10-20-30		P-10-20-30	
		Connecting Rod Bearing (Pair)	CB-1616P	6	CB-1616P	6
		Undersizes	P-10-20		P-10-20	
		Engine Cylinder Head Gasket Set / In-frame Overhaul Set	HS54123-4	3	EK3539	1
		Engine Conversion Gasket Set	CS54123-1	1		

LINE #	NOTES	PART DESCRIPTION	OVERHAUL	QTY	IN-FRAME	QTY
9	Engine Code: 'N14' 6 Cyl, 14.0L / 855 CID, Bore 139.7mm / 5.500", Stroke 152.4mm / 6.000"; Turbocharged-Aftercooled					9
9.21	Celect Celect Plus Large Shaft Accessory Drive OE Main Bearing Number(s) 3801260 OE Rod Bearing Number(s) 3055145	Kit Number	459-1482	459-5442		
		Cylinder Sleeve Assembly	226-2040	6	226-2040	6
		Main Bearing Set	MS-1687P	1	MS-1687P	1
		Undersizes	P-10-20-30		P-10-20-30	
		Connecting Rod Bearing (Pair)	CB-1616P	6	CB-1616P	6
		Undersizes	P-10-20		P-10-20	
		Engine Cylinder Head Gasket Set / In-frame Overhaul Set	HS54123-4	3	EK3539	1
		Engine Conversion Gasket Set	CS54123-2	1		
9.22	Celect Large Shaft Accessory Drive OE Main Bearing Number(s) 3801260 OE Rod Bearing Number(s) 3055145	Kit Number	459-1483	459-5443		
		Cylinder Sleeve Assembly	226-2039	6	226-2039	6
		Main Bearing Set	MS-1687P	1	MS-1687P	1
		Undersizes	P-10-20-30		P-10-20-30	
		Connecting Rod Bearing (Pair)	CB-1616P	6	CB-1616P	6
		Undersizes	P-10-20		P-10-20	
		Engine Cylinder Head Gasket Set / In-frame Overhaul Set	HS54123	1	EK3539	1
		Engine Conversion Gasket Set	CS54123-2	1		
9.23	Celect Small Shaft Accessory Drive OE Main Bearing Number(s) 3801260 OE Rod Bearing Number(s) 3055145	Kit Number	459-1484	459-5443		
		Cylinder Sleeve Assembly	226-2039	6	226-2039	6
		Main Bearing Set	MS-1687P	1	MS-1687P	1
		Undersizes	P-10-20-30		P-10-20-30	
		Connecting Rod Bearing (Pair)	CB-1616P	6	CB-1616P	6
		Undersizes	P-10-20		P-10-20	
		Engine Cylinder Head Gasket Set / In-frame Overhaul Set	HS54123	1	EK3539	1
		Engine Conversion Gasket Set	CS54123-1	1		
9.24	STC Small Shaft Accessory Drive OE Main Bearing Number(s) 3801260 OE Rod Bearing Number(s) 3055145	Kit Number	459-1485	459-5443		
		Cylinder Sleeve Assembly	226-2039	6	226-2039	6
		Main Bearing Set	MS-1687P	1	MS-1687P	1
		Undersizes	P-10-20-30		P-10-20-30	
		Connecting Rod Bearing (Pair)	CB-1616P	6	CB-1616P	6
		Undersizes	P-10-20		P-10-20	
		Engine Cylinder Head Gasket Set / In-frame Overhaul Set	HS5858AH	1	EK3539	1
		Engine Conversion Gasket Set	CS54123-2	1		

LINE #	NOTES	PART DESCRIPTION	OVERHAUL	QTY	IN-FRAME	QTY
9	Engine Code: 'N14' 6 Cyl, 14.0L / 855 CID, Bore 139.7mm / 5.500", Stroke 152.4mm / 6.000"; Turbocharged-Aftercooled					9
9.25	STC Small Shaft Accessory Drive OE Main Bearing Number(s) 3801260 OE Rod Bearing Number(s) 3055145	Kit Number	459-1486		459-5443	
		Cylinder Sleeve Assembly	226-2039	6	226-2039	6
		Main Bearing Set	MS-1687P	1	MS-1687P	1
		Undersizes	P-10-20-30		P-10-20-30	
		Connecting Rod Bearing (Pair)	CB-1616P	6	CB-1616P	6
		Undersizes	P-10-20		P-10-20	
		Engine Cylinder Head Gasket Set / In-frame Overhaul Set	HS5858AH	1	EK3539	1
		Engine Conversion Gasket Set	CS54123-1	1		
9.26	Select With External Oil Lines Small Shaft Accessory Drive OE Main Bearing Number(s) 3801260 OE Rod Bearing Number(s) 3055145	Kit Number	459-1487		459-5443	
		Cylinder Sleeve Assembly	226-2039	6	226-2039	6
		Main Bearing Set	MS-1687P	1	MS-1687P	1
		Undersizes	P-10-20-30		P-10-20-30	
		Connecting Rod Bearing (Pair)	CB-1616P	6	CB-1616P	6
		Undersizes	P-10-20		P-10-20	
		Engine Cylinder Head Gasket Set / In-frame Overhaul Set	HS54123-1	3	EK3539	1
		Engine Conversion Gasket Set	CS54123-1	1		
9.27	Select With External Oil Lines Large Shaft Accessory Drive OE Main Bearing Number(s) 3801260 OE Rod Bearing Number(s) 3055145	Kit Number	459-1488		459-5443	
		Cylinder Sleeve Assembly	226-2039	6	226-2039	6
		Main Bearing Set	MS-1687P	1	MS-1687P	1
		Undersizes	P-10-20-30		P-10-20-30	
		Connecting Rod Bearing (Pair)	CB-1616P	6	CB-1616P	6
		Undersizes	P-10-20		P-10-20	
		Engine Cylinder Head Gasket Set / In-frame Overhaul Set	HS54123-1	3	EK3539	1
		Engine Conversion Gasket Set	CS54123-2	1		
9.28	Select Select Plus Small Shaft Accessory Drive OE Main Bearing Number(s) 3801260 OE Rod Bearing Number(s) 3055145	Kit Number	459-1489		459-5443	
		Cylinder Sleeve Assembly	226-2039	6	226-2039	6
		Main Bearing Set	MS-1687P	1	MS-1687P	1
		Undersizes	P-10-20-30		P-10-20-30	
		Connecting Rod Bearing (Pair)	CB-1616P	6	CB-1616P	6
		Undersizes	P-10-20		P-10-20	
		Engine Cylinder Head Gasket Set / In-frame Overhaul Set	HS54123-4	3	EK3539	1
		Engine Conversion Gasket Set	CS54123-1	1		

LINE #	NOTES	PART DESCRIPTION	OVERHAUL	QTY	IN-FRAME	QTY
9	Engine Code: 'N14' 6 Cyl, 14.0L / 855 CID, Bore 139.7mm / 5.500", Stroke 152.4mm / 6.000"; Turbocharged-Aftercooled					9
9.29	Celect Celect Plus Large Shaft Accessory Drive OE Main Bearing Number(s) 3801260 OE Rod Bearing Number(s) 3055145	Kit Number	459-1490		459-5443	
		Cylinder Sleeve Assembly	226-2039	6	226-2039	6
		Main Bearing Set	MS-1687P	1	MS-1687P	1
		Undersizes	P-10-20-30		P-10-20-30	
		Connecting Rod Bearing (Pair)	CB-1616P	6	CB-1616P	6
		Undersizes	P-10-20		P-10-20	
		Engine Cylinder Head Gasket Set / In-frame Overhaul Set	HS54123-4	3	EK3539	1
		Engine Conversion Gasket Set	CS54123-2	1		

Part Type	Part No.	Block
CPL NO. 591		
Camshaft	229-2430	3
Camshaft	229-2433	4
CPL NO. 592		
Camshaft	229-2433	4
CPL NO. 593		
Camshaft	229-2433	4
CPL NO. 594		
Camshaft	229-2430	3
Camshaft	229-2433	4
CPL NO. 596		
Camshaft	229-2433	4
CPL NO. 597		
Camshaft	229-2433	4
CPL NO. 598		
Camshaft	229-2433	4
CPL NO. 599		
Camshaft	229-2433	4
CPL NO. 600		
Camshaft	229-2433	4
CPL NO. 689		
Camshaft	229-2433	4
CPL NO. 690		
Camshaft	229-2433	4
CPL NO. 691		
Camshaft	229-2433	4
CPL NO. 692		
Camshaft	229-2433	4
CPL NO. 696		
Camshaft	229-2433	4
CPL NO. 697		
Camshaft	229-2433	4
CPL NO. 698		
Camshaft	229-2433	4
CPL NO. 710		
Camshaft	229-2433	4
CPL NO. 713		
Camshaft	229-2433	4
CPL NO. 714		
Camshaft	229-2433	4
CPL NO. 715		
Camshaft	229-2433	4
CPL NO. 716		
Camshaft	229-2433	4

Part Type	Part No.	Block
CPL NO. 721		
Camshaft	229-2430	3
Camshaft	229-2433	4
CPL NO. 725		
Camshaft	229-2433	4
CPL NO. 727		
Camshaft	229-2433	4
CPL NO. 728		
Camshaft	229-2433	4
CPL NO. 729		
Camshaft	229-2433	4
CPL NO. 730		
Camshaft	229-2430	3
Camshaft	229-2433	4
CPL NO. 741		
Camshaft	229-2430	3
Camshaft	229-2433	4
CPL NO. 742		
Camshaft	229-2433	4
CPL NO. 762		
Camshaft	229-2433	4
CPL NO. 763		
Camshaft	229-2433	4
CPL NO. 766		
Camshaft	229-2433	4
CPL NO. 767		
Camshaft	229-2433	4
CPL NO. 791		
Camshaft	229-2433	4
CPL NO. 792		
Camshaft	229-2433	4
CPL NO. 793		
Camshaft	229-2433	4
CPL NO. 802		
Camshaft	229-2433	4
CPL NO. 804		
Camshaft	229-2433	4
CPL NO. 807		
Camshaft	229-2433	4
CPL NO. 826		
Camshaft	229-2433	4
CPL NO. 834		
Camshaft	229-2433	4
CPL NO. 843		
Camshaft	229-2433	4

Part Type	Part No.	Block
CPL NO. 845		
Camshaft	229-2433	4
CPL NO. 856		
Camshaft	229-2433	4
CPL NO. 857		
Camshaft	229-2433	4
CPL NO. 858		
Camshaft	229-2433	4
CPL NO. 895		
Camshaft	229-2433	4
CPL NO. 912		
Camshaft	229-2433	4
CPL NO. 937		
Camshaft	229-2430	3
Camshaft	229-2433	4
CPL NO. 938		
Camshaft	229-2433	4
CPL NO. 940		
Camshaft	229-2433	4
CPL NO. 943		
Camshaft	229-2433	4
CPL NO. 947		
Camshaft	229-2433	4
CPL NO. 948		
Camshaft	229-2433	4
CPL NO. 949		
Camshaft	229-2433	4
CPL NO. 950		
Camshaft	229-2433	4
CPL NO. 960		
Camshaft	229-2433	4
CPL NO. 961		
Camshaft	229-2433	4
CPL NO. 962		
Camshaft	229-2433	4
CPL NO. 970		
Camshaft	229-2433	4
CPL NO. 971		
Camshaft	229-2433	4
CPL NO. 981		
Camshaft	229-2433	4
CPL NO. 983		
Camshaft	229-2433	4
CPL NO. 986		
Camshaft	229-2433	4

Part Type	Part No.	Block
CPL NO. 987		
Camshaft	229-2433	4
CPL NO. 994		
Camshaft	229-2433	4
CPL NO. 998		
Camshaft	229-2433	4
CPL NO. 999		
Camshaft	229-2433	4
CPL NO. 1160		
Camshaft	229-2433	4
CPL NO. 1163		
Camshaft	229-2433	4
CPL NO. 1165		
Camshaft	229-2433	4
CPL NO. 1168		
Camshaft	229-2433	4
CPL NO. 1172		
Camshaft	229-2433	4
CPL NO. 1173		
Camshaft	229-2433	4
CPL NO. 1174		
Camshaft	229-2433	4
CPL NO. 1189		
Camshaft	229-2433	4
CPL NO. 1201		
Camshaft	229-2433	4
CPL NO. 1202		
Camshaft	229-2433	4
CPL NO. 1207		
Camshaft	229-2433	4
CPL NO. 1209		
Camshaft	229-2433	4
CPL NO. 1245		
Camshaft	229-2433	4
CPL NO. 1246		
Camshaft	229-2433	4
CPL NO. 1247		
Camshaft	229-2433	4
CPL NO. 1259		
Camshaft	229-2430	3
Camshaft	229-2433	4
CPL NO. 1260		
Camshaft	229-2433	4
CPL NO. 1261		
Camshaft	229-2433	4

Part Type	Part No.	Block
CPL NO. 1266		
Camshaft	229-2433	4
CPL NO. 1268		
Camshaft	229-2430	3
Camshaft	229-2433	4
CPL NO. 1277		
Camshaft	229-2430	3
Camshaft	229-2433	4
CPL NO. 1278		
Camshaft	229-2433	4
CPL NO. 1279		
Camshaft	229-2433	4
CPL NO. 1287		
Camshaft	229-2433	4
CPL NO. 1288		
Camshaft	229-2433	4
CPL NO. 1289		
Camshaft	229-2433	4
CPL NO. 1312		
Camshaft	229-2430	3
Camshaft	229-2433	4
CPL NO. 1313		
Camshaft	229-2433	4
CPL NO. 1320		
Camshaft	229-2433	4
CPL NO. 1322		
Camshaft	229-2433	4
CPL NO. 1351		
Camshaft	229-2433	4
CPL NO. 1358		
Camshaft	229-2433	4
CPL NO. 1397		
Camshaft	229-2430	3
Camshaft	229-2433	4
CPL NO. 1403		
Camshaft	229-2433	4
CPL NO. 1408		
Camshaft	229-2433	4
CPL NO. 1433		
Camshaft	229-2433	4
CPL NO. 1440		
Camshaft	229-2433	4
CPL NO. 1508		
Camshaft	229-2430	3
Camshaft	229-2433	4

Part Type	Part No.	Block
CPL NO. 1509		
Camshaft	229-2433	4
CPL NO. 1518		
Camshaft	229-2433	4
CPL NO. 1519		
Camshaft	229-2433	4
CPL NO. 1520		
Camshaft	229-2430	3
Camshaft	229-2433	4
CPL NO. 1521		
Camshaft	229-2433	4
CPL NO. 1522		
Camshaft	229-2430	3
CPL NO. 1523		
Camshaft	229-2433	4
CPL NO. 1524		
Camshaft	229-2433	4
CPL NO. 1525		
Camshaft	229-2430	3
Camshaft	229-2433	4
CPL NO. 1526		
Camshaft	229-2430	3
Camshaft	229-2433	4
CPL NO. 1554		
Camshaft	229-2433	4
CPL NO. 1578		
Camshaft	229-2433	4
CPL NO. 1579		
Camshaft	229-2433	4
CPL NO. 1581		
Camshaft	229-2433	4
CPL NO. 1582		
Camshaft	229-2433	4
CPL NO. 1601		
Camshaft	229-2433	4
CPL NO. 1605		
Camshaft	229-2433	4
CPL NO. 1606		
Camshaft	229-2433	4
CPL NO. 1613		
Camshaft	229-2433	4
CPL NO. 1638		
Camshaft	229-2433	4
CPL NO. 1659		
Camshaft	229-2433	4

Part Type	Part No.	Block
CPL NO. 1672		
Camshaft	229-2433	4
CPL NO. 1683		
Camshaft	229-2433	4
CPL NO. 1685		
Camshaft	229-2433	4
CPL NO. 1694		
Camshaft	229-2433	4
CPL NO. 1814		
Camshaft	229-2433	4
CPL NO. 1839		
Camshaft	229-2429	3
CPL NO. 1847		
Camshaft	229-2433	4
CPL NO. 1876		
Camshaft	229-2433	4
CPL NO. 1888		
Camshaft	229-2432	4
CPL NO. 1889		
Camshaft	229-2434	4
CPL NO. 1902		
Camshaft	229-2432	4
CPL NO. 1928		
Camshaft	229-2433	4
CPL NO. 1932		
Camshaft	229-2430	3
CPL NO. 1940		
Camshaft	229-2433	4
CPL NO. 1941		
Camshaft	229-2430	3
Camshaft	229-2433	4
CPL NO. 1948		
Camshaft	229-2432	4
CPL NO. 1960		
Camshaft	229-2432	4
CPL NO. 1961		
Camshaft	229-2432	4
CPL NO. 1962		
Camshaft	229-2432	4
CPL NO. 1963		
Camshaft	229-2429	3
CPL NO. 1965		
Camshaft	229-2429	3
CPL NO. 1966		
Camshaft	229-2429	3

Part Type	Part No.	Block
CPL NO. 1967		
Camshaft	229-2429	3
CPL NO. 2000		
Camshaft	229-2432	4
CPL NO. 2014		
Camshaft	229-2432	4
CPL NO. 2021		
Camshaft	229-2430	3
Camshaft	229-2433	4
CPL NO. 2035		
Camshaft	229-2433	4
CPL NO. 2049		
Camshaft	229-2432	4
CPL NO. 2050		
Camshaft	229-2432	4
CPL NO. 2063		
Camshaft	229-2432	4
CPL NO. 2071		
Camshaft	229-2432	4
CPL NO. 2072		
Camshaft	229-2432	4
CPL NO. 2109		
Camshaft	229-2429	3
CPL NO. 2122		
Camshaft	229-2432	4
CPL NO. 2123		
Camshaft	229-2433	4
CPL NO. 2125		
Camshaft	229-2432	4
CPL NO. 2142		
Camshaft	229-2429	3
CPL NO. 2144		
Camshaft	229-2429	3
CPL NO. 2146		
Camshaft	229-2432	4
CPL NO. 2161		
Camshaft	229-2433	4
CPL NO. 2162		
Camshaft	229-2433	4
CPL NO. 2171		
Camshaft	229-2433	4
CPL NO. 2182		
Camshaft	229-2433	4
CPL NO. 2183		
Camshaft	229-2433	4

Part Type	Part No.	Block
CPL NO. 2195		
Camshaft	229-2429	3
CPL NO. 2246		
Camshaft	229-2430	3
CPL NO. 2248		
Camshaft	229-2430	3
CPL NO. 2249		
Camshaft	229-2432	4
CPL NO. 2251		
Camshaft	229-2429	3
CPL NO. 2264		
Camshaft	229-2429	3
CPL NO. 2272		
Camshaft	229-2433	4
CPL NO. 2273		
Camshaft	229-2433	4
CPL NO. 2284		
Camshaft	229-2433	4
CPL NO. 2285		
Camshaft	229-2433	4
CPL NO. 2292		
Camshaft	229-2432	4
CPL NO. 2293		
Camshaft	229-2430	3
Camshaft	229-2433	4
CPL NO. 2296		
Camshaft	229-2432	4
CPL NO. 2302		
Camshaft	229-2429	3
CPL NO. 2303		
Camshaft	229-2432	4
CPL NO. 2304		
Camshaft	229-2429	3
CPL NO. 2305		
Camshaft	229-2432	4
CPL NO. 2340		
Camshaft	229-2430	3
Camshaft	229-2433	4
CPL NO. 2343		
Camshaft	229-2433	4
CPL NO. 2351		
Camshaft	229-2429	3
CPL NO. 2359		
Camshaft	229-2429	3

Part Type	Part No.	Block
CPL NO. 2361		
Camshaft	229-2430	3
Camshaft	229-2433	4
CPL NO. 2362		
Camshaft	229-2433	4
CPL NO. 2364		
Camshaft	229-2432	4
CPL NO. 2372		
Camshaft	229-2432	4
CPL NO. 2373		
Camshaft	229-2432	4
CPL NO. 2374		
Camshaft	229-2430	3
Camshaft	229-2433	4
CPL NO. 2375		
Camshaft	229-2432	4
CPL NO. 2377		
Camshaft	229-2430	3
Camshaft	229-2433	4
CPL NO. 2396		
Camshaft	229-2429	3
CPL NO. 2405		
Camshaft	229-2433	4
CPL NO. 2409		
Camshaft	229-2433	4
CPL NO. 2411		
Camshaft	229-2433	4
CPL NO. 2413		
Camshaft	229-2433	4
CPL NO. 2414		
Camshaft	229-2430	3
Camshaft	229-2433	4
CPL NO. 2417		
Camshaft	229-2432	4
CPL NO. 2439		
Camshaft	229-2433	4
CPL NO. 2458		
Camshaft	229-2433	4
CPL NO. 2478		
Camshaft	229-2429	3
CPL NO. 2486		
Camshaft	229-2430	3
Camshaft	229-2433	4
CPL NO. 2487		
Camshaft	229-2433	4

Part Type	Part No.	Block
CPL NO. 2488		
Camshaft	229-2433	4
CPL NO. 2489		
Camshaft	229-2433	4
CPL NO. 2490		
Camshaft	229-2433	4
CPL NO. 2521		
Camshaft	229-2429	3
CPL NO. 2528		
Camshaft	229-2429	3
CPL NO. 2530		
Camshaft	229-2433	4
CPL NO. 2538		
Camshaft	229-2432	4
CPL NO. 2550		
Camshaft	229-2432	4
CPL NO. 2566		
Camshaft	229-2433	4
CPL NO. 2567		
Camshaft	229-2430	3
CPL NO. 2599		
Camshaft	229-2430	3
Camshaft	229-2433	4
CPL NO. 2600		
Camshaft	229-2433	4
CPL NO. 2601		
Camshaft	229-2430	3
Camshaft	229-2433	4
CPL NO. 2623		
Camshaft	229-2429	3
CPL NO. 2678		
Camshaft	229-2432	4
CPL NO. 2808		
Camshaft	229-2429	3
CPL NO. 2846		
Camshaft	229-2432	4
CPL NO. 2868		
Camshaft	229-2432	4
CPL NO. 2876		
Camshaft	229-2433	4
CPL NO. 2878		
Camshaft	229-2433	4
CPL NO. 2881		
Camshaft	229-2429	3

Part Type	Part No.	Block
CPL NO. 2891		
Camshaft	229-2433	4
CPL NO. 2893		
Camshaft	229-2433	4
CPL NO. 2969		
Camshaft	229-2433	4
CPL NO. 2972		
Camshaft	229-2433	4
CPL NO. 2973		
Camshaft	229-2433	4
CPL NO. 2974		
Camshaft	229-2433	4
CPL NO. 2975		
Camshaft	229-2433	4
CPL NO. 8018		
Camshaft	229-2433	4
CPL NO. 8037		
Camshaft	229-2432	4
CPL NO. 8064		
Camshaft	229-2429	3
CPL NO. 8085		
Camshaft	229-2432	4
CPL NO. 8100		
Camshaft	229-2430	3
CPL NO. 8105		
Camshaft	229-2432	4
CPL NO. 8108		
Camshaft	229-2432	4
CPL NO. 8111		
Camshaft	229-2432	4
CPL NO. 8144		
Camshaft	229-2432	4
CPL NO. 8186		
Camshaft	229-2432	4
CPL NO. 8187		
Camshaft	229-2432	4
CPL NO. 8204		
Camshaft	229-2431	3
CPL NO. 8208		
Camshaft	229-2432	4
CPL NO. 8217		
Camshaft	229-2432	4
CPL NO. 8236		
Camshaft	229-2432	4

Part Type	Part No.	Block
CPL NO. 8237		
Camshaft	229-2432	4
CPL NO. 8263		
Camshaft	229-2431	3
CPL NO. 8265		
Camshaft	229-2432	4
CPL NO. 8266		
Camshaft	229-2432	4
CPL NO. 8267		
Camshaft	229-2432	4
CPL NO. 8275		
Camshaft	229-2430	3
CPL NO. 8276		
Camshaft	229-2432	4
CPL NO. 8296		
Camshaft	229-2432	4
CPL NO. 8298		
Camshaft	229-2432	4
CPL NO. 8300		
Camshaft	229-2432	4
CPL NO. 8304		
Camshaft	229-2432	4
CPL NO. 8305		
Camshaft	229-2432	4
CPL NO. 8339		
Camshaft	229-2432	4
CPL NO. 8340		
Camshaft	229-2432	4
CPL NO. 8341		
Camshaft	229-2432	4
CPL NO. 8371		
Camshaft	229-2432	4
CPL NO. 8375		
Camshaft	229-2430	3
CPL NO. 8400		
Camshaft	229-2432	4
CPL NO. 8401		
Camshaft	229-2431	3
CPL NO. 8402		
Camshaft	229-2431	3
CPL NO. 8428		
Camshaft	229-2432	4
CPL NO. 8444		
Camshaft	229-2432	4

Part Type	Part No.	Block
CPL NO. 8454		
Camshaft	229-2431	3
CPL NO. 8482		
Camshaft	229-2432	4
CPL NO. 8483		
Camshaft	229-2432	4
CPL NO. 8485		
Camshaft	229-2432	4
CPL NO. 8534		
Camshaft	229-2430	3
CPL NO. 8553		
Camshaft	229-2432	4
CPL NO. 8554		
Camshaft	229-2432	4
CPL NO. 8604		
Camshaft	229-2432	4
CPL NO. 8653		
Camshaft	229-2431	3
CPL NO. 8658		
Camshaft	229-2431	3
CPL NO. 8659		
Camshaft	229-2431	3
CPL NO. 8711		
Camshaft	229-2430	3
CPL NO. 40568		
Camshaft	229-2432	4
CPL NO. 40629		
Camshaft	229-2432	4
CPL NO. 41482		
Camshaft	229-2431	3
CPL NO. 41483		
Camshaft	229-2431	3
CPL NO. 41484		
Camshaft	229-2432	4
CPL NO. 41493		
Camshaft	229-2431	3
CPL NO. 42177		
Camshaft	229-2432	4
CPL NO. 42181		
Camshaft	229-2432	4
CPL NO. 42220		
Camshaft	229-2432	4
CPL NO. 42221		
Camshaft	229-2432	4

Part Type	Part No.	Block
CPL NO. 42360		
Camshaft	229-2432	4
CPL NO. 42365		
Camshaft	229-2432	4
CPL NO. 42386		
Camshaft	229-2432	4
CPL NO. 42387		
Camshaft	229-2432	4
CPL NO. 42423		
Camshaft	229-2432	4
CPL NO. 42424		
Camshaft	229-2432	4
CPL NO. 42438		
Camshaft	229-2432	4
CPL NO. 42473		
Camshaft	229-2430	3
CPL NO. 42798		
Camshaft	229-2431	3

Model	No. Cyls.	Liter	CID	Bore (mm)	Bore (IN)	Stroke (mm)	Stroke (IN)	Line No.
4B-3.3	4	3.3	201	95.0	3.740	115.1	4.5	2
4B-3.9	4	3.9	239	102.0	4.016	120.0	4.7	3
4B-4.5	4	4.5	275	102.0	4.016	137.0	5.4	5
6B-5.9	6	5.9	359	102.0	4.016	120.0	4.7	4
6B-6.7	6	6.7	408	107.0	4.210	124.0	4.1	6
6C-8.3	6	8.3	505	114.0	4.488	135.1	5.3	8
Air Compressor	1			92.1	3.625			1
C-464 (Old C)	6	7.6	464	112.7	4.437	127.0	5.0	7
H4, HR4, HRC	4	7.3	448	130.2	5.125	152.4	6.0	18
H6, H672	6	11.0	672	123.8	4.875	152.4	6.0	15
HR6, H-743, NH-220	6	12.2	743	130.2	5.125	152.4	6.0	19
ISL, QSL	6	8.9	543	114.0	4.488	144.5	5.7	9
ISX, QSX	6	15.0	912	137.2	5.400	169.0	6.7	22
K19	6	18.8	1150	158.8	6.250	158.8	6.3	31
K38	12	37.7	2301	158.8	6.250	158.8	6.3	30
K50	16	50.3	3068	158.8	6.250	158.8	6.3	32
L10	6	10.0	611	125.0	4.921	136.0	5.4	16
M11	6	10.8	661	125.0	4.921	147.1	5.8	17
N14	6	14.0	855	139.7	5.500	152.4	6.0	23
NH-495	4	8.1	495	130.2	5.125	152.4	6.0	21
NT-855	6	14.0	855	139.7	5.500	152.4	6.0	27
NT-855-Natural Gas	6	14.0	855	139.7	5.500	152.4	6.0	24
V-1710	12	28.0	1710	139.7	5.500	152.4	6.0	26
V-210	8	8.3	504	117.5	4.625	95.3	3.8	13
V-352	6	5.8	352	117.5	4.625	88.9	3.5	12
V-378	6	6.2	378	117.5	4.625	95.3	3.8	10
V-470	8	7.7	470	117.5	4.625	88.9	3.5	11
V-555	8	9.1	555	117.5	4.625	104.8	4.1	14
V-588	6	9.6	588	139.7	5.500	104.8	4.1	29
V-785	8	12.9	785	139.7	5.500	104.8	4.1	28
V-903	8	14.8	903	139.7	5.500	120.7	4.8	25
VT-1485	12	24.4	1485	130.2	5.125	152.4	6.0	20

PART	NOTES	OE INTERCHANGE NUMBER	PART NUMBER	ORDER QTY
------	-------	-----------------------	-------------	-----------

1	Engine Code: 'Air Compressor' 1 Cyl, Bore 92.1mm / 3.625"			1
----------	---	--	--	----------

Cylinder Components

Ring Set		AR73350	S51307	1
----------	--	---------	--------	---

2	Engine Code: '4B-3.3' 4 Cyl, 3.3L / 201 CID, Bore 95.0mm / 3.740", Stroke 115.1mm / 4.530"; Turbocharged, Komatsu Engine, QSB 3.3L			2
----------	--	--	--	----------

Bearings

Connecting Rod Bearing (Pair)		4993834	CB-1921P	4
		4993835	CB-1921P-.25MM	
Main Bearing Set	BiMetal Aluminum, 3800872 = MS-2287P And TW-687, Contains 5 Pairs Per Set	3800872	MS-2287P	1
		C6204218100		
		C6204298100	MS-2287P-.25MM	
		C6204288100	MS-2287P-.50MM	
		C6204278100	MS-2287P-.75MM	
Thrust Washer Set	3 Per Package	6204218500	TW-687S	1
Piston Pin Bushing	With Oil Hole And Groove, Turbocharged Engines	6207313130	223-3681	4

3	Engine Code: '4B-3.9' 4 Cyl, 3.9L / 239 CID, Bore 102.0mm / 4.016", Stroke 120.0mm / 4.724"			3
----------	---	--	--	----------

Cylinder Components

Cylinder Sleeve (Dry)	Repair Sleeve	3904166	226-4490	4	
Piston	* Please check CPL numbers	3903656	224-3321.020	4	
	* Please check CPL numbers	3903655	224-3321.040	4	
	* Please check CPL numbers		3930187	224-3322	4
			3930188	224-3322.020	
			3930189	224-3322.040	
	* Please check CPL numbers		3928674	224-3323.020	4
			3928675	224-3323.040	
	Turbocharged, Call Customer Service For MAHLE Original WR Options * Please check CPL numbers		3907163	224-3525	4
			3908815	224-3525.020	
			3908816	224-3525.040	
Rebore Kit	17.2:1 CR	3802030	225-3321	4	
		3802032	225-3321.020		
		3802034	225-3321.040		
			3802757	225-3322	4
			3802758	225-3322.020	
			3802759	225-3322.040	
	17.3:1 CR		3802764	225-3323.020	4
			3802765	225-3323.040	



PART	NOTES	OE INTERCHANGE NUMBER	PART NUMBER	ORDER QTY
------	-------	-----------------------	-------------	-----------

3 (cont.)	Engine Code: '4B-3.9' 4 Cyl, 3.9L / 239 CID, Bore 102.0mm / 4.016", Stroke 120.0mm / 4.724"			3 (cont.)
----------------------	---	--	--	----------------------

Cylinder Components

Rebore Kit		3802090	225-3345	4
	Standard Compression Height 71.685MM (2.822")	3802562	225-3513	4
		3802564	225-3513.020	
		3802565	225-3513.040	
	Turbocharged	3802160	225-3525	4
		3802132	225-3525.020	
		3802134	225-3525.040	
		4025072	225-3781	4
		4089422	225-3781.020	
		4089423	225-3781.040	
	Marine	3800756	225-3789	4
		3800761	225-3789.020	
3800760		225-3789.040		
Ring Set	Naturally Aspirated Engines, Rectangular Top Ring	3802040	S41517	4
		3806241	S41517.020	
		3806242	S41517.040	
	Keystone Top And Second Compression Ring, Standard Size Replaces OE#'s: 3802750, 3802831, And 3802919, .020 Size Replaces OE#'s: 3802863, 3802917, And 3806229, .040 Size Replaces OE#'s: 3802864, 3802918, And 3806230	See Note	S41905	4
		See Note	S41905.020	
		See Note	S41905.040	
	Ceramic Chrome Top Ring, Replaces OE#'s: 4089258, 4089460, 3804947, 3947678, And 3959079	See Note	S42170	4
		See Note	S42170.020	
		See Note	S42170.040	
	Ceramic Chrome Top Ring, Replaces OE#'s: 3802421, 3802050, 3802056, 3802230, 3802746, 3938177, And 3937393	See Note	S42221	4
		See Note	S42221.020	
		See Note	S42221.040	
Piston Pin		3934047	223-1932	4
Lock Ring	2 Per Package	3920691	223-5525	4

Engine Gaskets

Engine Cylinder Head Gasket Set	HS4961 Contains Standard Thickness Head Gasket, HS4961-2 Contains .25 MM/0.010" Over Thickness Head Gasket, HS4961-3 Contains .50 MM/ 0.020" Over Thickness Head Gasket	3804896	HS4961	1
		3802362	HS4961-2	
		3802242	HS4961-3	
Engine Conversion Gasket Set	Naturally Aspirated Engines	3802375	CS4961	1
Engine Cylinder Head Gasket	4961 Contains Standard Thickness Head Gasket , 4961-2 Contains .25 MM / 0.010" Over Thickness Head Gasket, 4961-3 Contains .50 MM / 0.020" Over Thickness Head Gasket	3283333	4961•	1
		3283336	4961-2	
		3283338	4961-3	
Engine Valve Cover Gasket Set		3930906	VS50215S	4

PART	NOTES	OE INTERCHANGE NUMBER	PART NUMBER	ORDER QTY
------	-------	-----------------------	-------------	-----------

3 (cont.)	Engine Code: '4B-3.9' 4 Cyl, 3.9L / 239 CID, Bore 102.0mm / 4.016", Stroke 120.0mm / 4.724"			3 (cont.)
----------------------	---	--	--	----------------------

Engine Gaskets

Valve Stem Seal (Intake)	Pre-April 2003, Drive On Seal	3921640	B45411A	8
	Post-April 2003, Top Hat Seal	3957912	B45953	4
Valve Stem Seal (Exhaust)	Pre-April 2003, Drive On Seal	3921640	B45411A	8
	Post-April 2003, Top Hat Seal	3957912	B45953	4
Engine Oil Pan Gasket Set		3938162	OS32172	1
Engine Timing Cover Gasket	Material Paper	3935449	T27119	1
Engine Timing Cover Seal	Material Teflon, Contains Sleeve And Dust Shield	3802820	48383	1
Rear Main Seal	Material Teflon, May Require The Use Of Installation Tool GS33491	4089342	48384	1

Bearings

Connecting Rod Bearing (Pair)	H-Series, Performance, No Dowel Hole In Cap Half, Machined Rod	Exclusive	CB-1413H	4	
		Exclusive	CB-1413H-.026MM		
		Exclusive	CB-1413H-.25MM		
	Machined Rod	Bearing Wall .0005" Thinner For .0010" More Oil Clearance, No Dowel Hole In Cap Half, Machined Rod	Exclusive	CB-1413HX	4
			3901170	CB-1413P	4
			3901171	CB-1413P-.25MM	
			3901172	CB-1413P-.50MM	
Machined Rod	Machined Rod, Note Connecting Rods With Housing Bore Resized .010" Larger Than Stock	3901173	CB-1413P-.75MM	4	
		Exclusive	CB-1846P-.25MM		
Main Bearing Set	180 Degree Thrust	Exclusive	CB-1846P-.50MM	4	
		3802010	MS-1718P		
		3802011	MS-1718P-.25MM		
		3802012	MS-1718P-.50MM		
	3802013	MS-1718P-.75MM			
180 Degree Thrust		4955855	MS-2305A	1	
Piston Pin Bushing	Early Design With Oil Hole In Top	3941476	223-3717	4	
	Late Design With Oil Hole At 45 Degrees	4891178	223-3718	4	
Camshaft Bearing	To 1996, 2.260" OD	3901306	SH-1404	1	

Valve Train & Ancillary

Valve (Intake)	2 Valve Cylinder Head, Valve Only, Bare Valve OE# 3920867	3802355	211-3201	4
Valve (Exhaust)	2 Valve Cylinder Head, Valve Only, Bare Valve OE# 3920868	3802356	211-3202	4
Valve Guide	Intake, 2 Valve Cylinder Head, Thick Wall, 60.50mm Length	3904408	217-4114	4
	Exhaust, 2 Valve Cylinder Head, Thick Wall, 51.75mm Length	3904409	217-4115	4
Valve Spring	Intake And Exhaust, 2 Valve Cylinder Head	3900276	212-1800	8



PART	NOTES	OE INTERCHANGE NUMBER	PART NUMBER	ORDER QTY
------	-------	-----------------------	-------------	-----------

3 (cont.)	Engine Code: '4B-3.9' 4 Cyl, 3.9L / 239 CID, Bore 102.0mm / 4.016", Stroke 120.0mm / 4.724"	3 (cont.)		
----------------------------	---	----------------------------	--	--

Valve Train & Ancillary

Valve Spring Retainer	Intake And Exhaust, Except 6B Series, Marine Intake Only	3900299	216-4121	8
Valve Seat Insert	Intake, 4 Valve Cylinder Head, Standard	3943449	218-3790	8
	Exhaust, 4 Valve Cylinder Head, Standard	3943450	218-3791	8
Rocker Arm	2 Valve Cylinder Head, Kit Contains OE#'s: Lever 3910808, Nut 3927692, Screw 3937438, And Insert 3900705	3910810	214-2194	4
	2 Valve Cylinder Head, Kit With Lever OE# 3910809, Nut OE# 3927692, Screw OE# 3937438, Insert OE# 3900705	3910811	214-2195	4
Rocker Arm Bridge		3943626	214-1182	8
Rocker Lever Support	Kit With Support OE# 3911423 And Shaft OE# 3922487	3922488	214-1184	4

Filters

Spin-on fuel filter	Fits And Replaces OE#'s: 3964763, 3931065, And 3890707	See Note	KC 6	1
----------------------------	--	----------	-------------	---

Turbochargers

Turbocharger	4TA-390	3520030 3802290	286 TC 14234 000	1
	Elite 4BT	3800709	286 TC 15390 000	1
	Elite 4BTA	3802906	286 TC 17385 000	1

Camshaft & Timing Components

Camshaft	* Please check CPL numbers	3929885	229-2429	1
	* Please check CPL numbers	3929039	229-2430	1
	* Please check CPL numbers	3968381	229-2431	1

Crankshaft

Crankshaft	Less Gear	3929036	247-5177	1
-------------------	-----------	---------	-----------------	---

4	Engine Code: '6B-5.9' 6 Cyl, 5.9L / 359 CID, Bore 102.0mm / 4.016", Stroke 120.0mm / 4.724"	4		
----------	---	----------	--	--

Cylinder Components

Cylinder Sleeve (Dry)	Repair Sleeve	3904166	226-4490	6
Piston	* Please check CPL numbers	3903656	224-3321.020	6
	* Please check CPL numbers	3903655	224-3321.040	6
	* Please check CPL numbers	3930187	224-3322	6
		3930188	224-3322.020	
		3930189	224-3322.040	
	* Please check CPL numbers	3928674	224-3323.020	6
		3928675	224-3323.040	
		3946051	224-3354	6
3946053		224-3354.020		



PART	NOTES	OE INTERCHANGE NUMBER	PART NUMBER	ORDER QTY
------	-------	-----------------------	-------------	-----------

4 (cont.)	Engine Code: '6B-5.9' 6 Cyl, 5.9L / 359 CID, Bore 102.0mm / 4.016", Stroke 120.0mm / 4.724"	4 (cont.)
----------------------------	---	----------------------------

Cylinder Components

Piston	ISB VIN 7 HO, Grade A, Combustion Bowl Is Centered, Turbocharged, 24 Valves, Call Customer Service For MAHLE Original WR Options	3946054	224-3354.040	
	ISB VIN 6 Non-HO, Grade A, Turbocharged, 24 Valves, Call Customer Service For MAHLE Original WR Options	3946153	224-3355	6
		3946156	224-3355.020	
		3946157	224-3355.040	
	Standard Compression Height 71.685MM (2.822"), For Reduced Compression Options See 224-3515, Call Customer Service For MAHLE Original WR Options * Please check CPL numbers	3926632	224-3513	6
		3926634	224-3513.020	
		Exclusive	224-3513.030	
		3926635	224-3513.040	
	Reduced Compression Height 71.585MM (2.818") * Please check CPL numbers	3926631	224-3515	6
		Exclusive	224-3515.020	
		Exclusive	224-3515.040	
	Turbocharged, Call Customer Service For MAHLE Original WR Options * Please check CPL numbers	3922571	224-3520	6
		3922574	224-3520.020	
		3922575	224-3520.040	
	Turbocharged, Marine * Please check CPL numbers	3911400	224-3522	6
		3912049	224-3522.020	
		3912050	224-3522.040	
	Turbocharged-Aftercooled, Call Customer Service For MAHLE Original WR Options * Please check CPL numbers	3907156	224-3523	6
		3907157	224-3523.020	
		Exclusive	224-3523.030	
		3907158	224-3523.040	
	Turbocharged, Call Customer Service For MAHLE Original WR Options * Please check CPL numbers	3907163	224-3525	6
		3908815	224-3525.020	
		3908816	224-3525.040	
Naturally Aspirated, Call Customer Service For MAHLE Original WR Options * Please check CPL numbers	3906223	224-3526	6	
	3906209	224-3526.020		
	3906208	224-3526.040		
2003-2004 HO, 17.1:1 CR, Engine Model 'ETH', Vin Code: 'C'	3965497	224-3672	6	
	3966675	224-3672.020		
	3966676	224-3672.040		
2005-2009 HO, 17.1:1 CR, Engine Model 'ETH', Vin Code: 'C', Call Customer Service For MAHLE Original WR Options	3970192	224-3673	6	
	3970126	224-3673.020		
	3970127	224-3673.040		
2003-2004 NON-HO, 16.3:1 CR, Engine Model 'ETC'	3958675	224-3674	6	
	3949843	224-3674.020		
	3949844	224-3674.040		
Rebore Kit	17.2:1 CR	3802030	225-3321	6
		3802032	225-3321.020	



PART	NOTES	OE INTERCHANGE NUMBER	PART NUMBER	ORDER QTY
------	-------	-----------------------	-------------	-----------

4 (cont.)	Engine Code: '6B-5.9' 6 Cyl, 5.9L / 359 CID, Bore 102.0mm / 4.016", Stroke 120.0mm / 4.724"			4 (cont.)
----------------------	--	--	--	----------------------

Cylinder Components (cont.)

Rebore Kit		OE INTERCHANGE NUMBER	PART NUMBER	ORDER QTY
		3802034	225-3321.040	
		3802757	225-3322	6
		3802758	225-3322.020	
		3802759	225-3322.040	
17.3:1 CR		3802764	225-3323.020	6
		3802765	225-3323.040	
		3802090	225-3345	6
ISB VIN 7 HO, Grade A, Combustion Bowl Is Centered, Turbocharged, 24 Valves		3800838 3800839 3800840	225-3354	6
		3800841	225-3354.020	
		3800842	225-3354.040	
ISB VIN 6 Non-HO, Grade A, Turbocharged, 24 Valves		3800781 3800782 3800783	225-3355	6
		3804990	225-3355.020	
		3800785	225-3355.040	
Standard Compression Height 71.685MM (2.822")		3802562	225-3513	6
		3802564	225-3513.020	
		3802565	225-3513.040	
Reduced Compression Height 71.585MM (2.818")		3802561	225-3515	6
	Exclusive		225-3515.020	
	Exclusive		225-3515.040	
Turbocharged		3802487	225-3520	6
		3802493	225-3520.020	
		3802495	225-3520.040	
Turbocharged-Aftercooled		3802100	225-3523	6
		3802102	225-3523.020	
		3802104	225-3523.040	
Turbocharged		3802160	225-3525	6
		3802132	225-3525.020	
		3802134	225-3525.040	
Naturally Aspirated		3802060	225-3526	6
		3802062	225-3526.020	
		3802064	225-3526.040	
2003-2004 HO, 17.1:1 CR, Engine Model 'ETH', Vin Code: 'C'		4089259	225-3672	6
		4089183	225-3672.020	
		4089184	225-3672.040	
		4089669	225-3673	6



PART	NOTES	OE INTERCHANGE NUMBER	PART NUMBER	ORDER QTY
------	-------	-----------------------	-------------	-----------

4 (cont.)	Engine Code: '6B-5.9' 6 Cyl, 5.9L / 359 CID, Bore 102.0mm / 4.016", Stroke 120.0mm / 4.724"			4 (cont.)
----------------------------	---	--	--	----------------------------

Cylinder Components (cont.)

Rebore Kit	2005-2009 HO, 17.1:1 CR, Engine Model 'ETH', Vin Code: 'C'	4089670	225-3673.020	
		4089671	225-3673.040	
	2003-2004 NON-HO, 16.3:1 CR, Engine Model 'ETC'	4089260	225-3674	6
		4089185	225-3674.020	
		4089186	225-3674.040	
		3802927	225-3780	6
		4025072	225-3781	6
		4089422	225-3781.020	
	4089423	225-3781.040		
	Marine	3800756	225-3789	6
		3800761	225-3789.020	
		3800760	225-3789.040	
Ring Set	Naturally Aspirated Engines, Rectangular Top Ring	3802040	S41517	6
		3806241	S41517.020	
		3806242	S41517.040	
	Keystone Top And Second Compression Ring, Standard Size Replaces OE#'s: 3802750, 3802831, And 3802919, .020 Size Replaces OE#'s: 3802863, 3802917, And 3806229, .040 Size Replaces OE#'s: 3802864, 3802918, And 3806230	See Note	S41905	6
		See Note	S41905.020	
		See Note	S41905.040	
	Ceramic Chrome Top Ring, Replaces OE#'s: 4089258, 4089460, 3804947, 3947678, And 3959079	See Note	S42170	6
		See Note	S42170.020	
		See Note	S42170.040	
	Ceramic Chrome Top Ring, Replaces OE#'s: 3802421, 3802050, 3802056, 3802230, 3802746, 3938177, And 3937393	See Note	S42221	6
		See Note	S42221.020	
		See Note	S42221.040	
Piston Pin		3934047	223-1932	6

Engine Gaskets

Engine Cylinder Head Gasket Set	Contains Drive On Valve Stem Seals, Top Hat Designed, Valve Stem Seals Must Be Ordered Separately, HS4068A Contains .25MM/.010" Over Thickness Head Gasket, HS4068B Contains .50MM/.020" Over Thickness Head Gasket	4089649	HS4068	1
		3802364	HS4068A	
		3802245	HS4068B	
	Industrial, Contains Drive On Valve Stem Seals	4090035	HS54174-1	1
	Contains Standard Thickness Head Gasket, Contains Positive Type Valve Stem Seals, Dodge Trucks	See Note	HS54174-2	1
	Dodge Trucks, Contains 1.20mm Service Specific Over-Bore Head Gasket, Contains Valve Cover Gasket for 2003-2005. For 2006-2010, Use with VS50543	3966342 4089819	HS54556	1
	Industrial, Set Contains Over Bore Service Specific 1.20MM Thickness 107.4MM Overbore Head Gasket For Over Bored Or Repair Sleeved Engines	3966342 4089263	HS54556A•	1

PART	NOTES	OE INTERCHANGE NUMBER	PART NUMBER	ORDER QTY
------	-------	-----------------------	-------------	-----------

4 (cont.)	Engine Code: '6B-5.9' 6 Cyl, 5.9L / 359 CID, Bore 102.0mm / 4.016", Stroke 120.0mm / 4.724"	4 (cont.)		
----------------------	---	----------------------	--	--

Engine Gaskets

Engine Cylinder Head Gasket Set	Contains 1.28mm Standard Head Gasket, Valve Cover Gasket Not Included, Dodge Trucks	4089819	HS54557	1
	Industrial, Set Contains Standard 1.28MM Thickness Head Gasket	4089263	HS54557A	1
Engine Conversion Gasket Set	Use With Head Set To Make Full Set	3802376	CS4068	1
	Contains OE# 3959052 Oil Pan Gasket, Use With Head Set To Make Full Set, Dodge Trucks	See Note	CS54174	1
	Industrial	3800487	CS54174-1	1
	Use With Head Set To Make Full Set	4089173	CS54556•	1
Engine Cylinder Head Gasket	Material VR2000, 4068D Is .25MM/.010" Over Thickness Head Gasket, 4068E Is .50MM/.020" Over Thickness Head Gasket	3283335	4068C	1
		3283337	4068D	
		3283339	4068E	
	Material VR2000, 54174A Is .25MM/.010" Over Thickness Head Gasket, 54174B Is .50MM/.020" Over Thickness Head Gasket	3977063	54174	1
		3977063	54174A	
		3977063	54174B	
	Material Multi-Layered Steel, For Over Bored Or Repair Sleeved Engines, 107.4MM Bore, 54556 Is 1.10MM Thickness, 54556A Is 1.20MM Thickness	3966343	54556	1
		3966342	54556A	
	Material Multi-Layered Steel, 1.18mm Thickness, 54557A Is Standard Head Gasket 1.28MM Thickness	3958644	54557	1
3958645		54557A		
Engine Cylinder Head Bolt Set	Full set, 24 Valve Engines Only, 26 Per Package	3927063	GS33493	1
Engine Valve Cover Gasket Set		3930906	VS50215S	6
	Contains Grommets	3935878	VS50317	1
	Contains Grommets	3935449 3954324	VS50416	1
	Gasket Material: Victo-Tech	3963379	VS50419	1
	Material Molded Rubber/Steel, With Integrated Wire Harness	5264950	VS50543	1
Engine Push Rod Cover Gasket Set	Contains Grommets, Material Cork-Rubber	3284623	PS38801	1
Valve Stem Seal (Intake)	Pre-April 2003, Drive On Seal	3921640	B45411A	6
	ISB, To Engine # 46239409, Positive Type, Drive On Seal	3942989	B45903	12
	Post-April 2003, Top Hat Seal	3957912	B45953	6
	ISB, From Engine S/N 46239409, Top Hat Seal	3955393	B45962	12
Valve Stem Seal (Exhaust)	Pre-April 2003, Drive On Seal	3921640	B45411A	6
	ISB, To Engine # 46239409, Positive Type, Drive On Seal	3945438	B45902	12
	Post-April 2003, Top Hat Seal	3957912	B45953	6
	ISB, From Engine S/N 46239409, Top Hat Seal	3955394	B45963	12
Engine Intake Manifold Gasket Set	Contains OE's: Connector Gasket 3969988, Sealing Washer 3906773, And Intake Manifold Cover 3914029	3914029	MS12435	1
	Material Nitroseal	3969988	MS19355	1

PART	NOTES	OE INTERCHANGE NUMBER	PART NUMBER	ORDER QTY
------	-------	-----------------------	-------------	-----------

4 (cont.)	Engine Code: '6B-5.9' 6 Cyl, 5.9L / 359 CID, Bore 102.0mm / 4.016", Stroke 120.0mm / 4.724"			4 (cont.)
----------------------	---	--	--	----------------------

Engine Gaskets (cont.)

Exhaust Manifold Gasket Set	Material Beaded Steel	3927154	MS10141	1
	6 Per Package, Material Beaded Steel	3955339	MS19225	1
Engine Oil Pan Gasket Set	Contains OE#'s: Plug Washer 3902425, Plug Washer 3920773, Tube Flange Gasket 3738157, And Pan Gasket 3959052, Material Cork-Rubber	3959052	OS32139	1
	Material Paper	3958165	OS32278	1
Engine Timing Cover Gasket Set	Contains OE#'s: Accessory Drive Cover Seal 3903475, Front Crankshaft Seal 3935959, And Front Cover Gasket 3914385	See Note	JV1186•	1
	Contains OE#'s: Front Cover Gasket 3918673, Block To Gear Housing Gasket 3938156, And Front Cover Seal Kit 3802820	See Note	JV5072	1
	Front Seal Kit: 3802820 And 3947514, Front Seal Kit Contains: Oil Seal 3922598, Wear Sleeve 3922599, And Installation Tool 3922600	See Note	JV5076•	1
	Contains Sleeve and Dust Shield	See Note	JV5097	1
Engine Timing Cover Gasket	Material Paper	3935449	T27119	1
Engine Timing Cover Seal	Material Teflon, Contains Sleeve And Dust Shield	3802820	48383	1
		4955372	67883	1
Rear Main Seal Set	Contains OE#'s: Rear Crankshaft Seal Kit 4089342 And Rear Seal Gasket 4947667, May Require The Use Of Installation Tool GS33491	See Note	JV1622	1
	May Require The Use Of Installation Tool GS33491	See Note	JV1690	1
Rear Main Seal	Material Teflon, May Require The Use Of Installation Tool GS33491	4089342	48384	1
		3926126	67857	1

Miscellaneous Gaskets

Turbocharger Mounting Gasket Set		Exclusive	GS33582	1
		Exclusive	GS33583	1
	Contains OE#'s: 3931824, 3919369, 3678786, 3678603(2), And 4931365	See Note	GS33584	1
EGR Valve Gasket	Cooler Tube Gasket, Material Beaded Steel	3949910	G32479	1
	Inlet Pipe Gasket, Material Beaded Steel	3958716	G32481	1
Engine Coolant Thermostat Seal		3923331	C31421	1
		3954829	C31858	1
Repair Sleeve Tool	Plastic Type, Rear Gear Train Engine	3909409	GS33491	1
Engine Oil Cooler Gasket Set	Material Steel	3977913	GS33485	1
Engine Water Pump Gasket		3906698	K31420	1
Engine Coolant Outlet Gasket		Exclusive	C31710•	1
Exhaust Pipe Flange Gasket		3912220	F10142	1



PART	NOTES	OE INTERCHANGE NUMBER	PART NUMBER	ORDER QTY
------	-------	-----------------------	-------------	-----------

4 (cont.)	Engine Code: '6B-5.9' 6 Cyl, 5.9L / 359 CID, Bore 102.0mm / 4.016", Stroke 120.0mm / 4.724"			4 (cont.)
----------------------------	---	--	--	----------------------------

Miscellaneous Gaskets

Fuel Injection Nozzle O-Ring	Material Fluoroelastomer	3906659 3937142 4062328 4890926	GS33484	1
-------------------------------------	--------------------------	--	----------------	---

Bearings

Connecting Rod Bearing (Pair)	H-Series, Performance, No Dowel Hole In Cap Half, Machined Rod	Exclusive	CB-1413H	6
		Exclusive	CB-1413H-.026MM	
		Exclusive	CB-1413H-.25MM	
	Bearing Wall .0005" Thinner For .0010" More Oil Clearance, No Dowel Hole In Cap Half, Machined Rod	Exclusive	CB-1413HX	6
	Machined Rod	3901170	CB-1413P	6
		3901171	CB-1413P-.25MM	
		3901172	CB-1413P-.50MM	
		3901173	CB-1413P-.75MM	
	Machined Rod, Note Connecting Rods With Housing Bore Resized .010" Larger Than Stock	Exclusive	CB-1846P-.25MM	6
		Exclusive	CB-1846P-.50MM	
	Note Tri-metal Upper Bearing, BiMetal Aluminum Lower Bearing, Standard Size Contains OE# 3969562 Upper Shell And 4893693 Lower Shell, .25MM Undersize Contains OE# 4932375 Upper Shell And 4892795 Lower Shell, .50MM Undersize Contains OE# 4932376 Upper Shell And 4893796 Lower Shell, .75MM Undersize Contains OE# 4932377 Upper Shell And 4893797 Lower Shell	See Note	CB-1873AP	6
		See Note	CB-1873AP-.25MM	
		See Note	CB-1873AP-.50MM	
		See Note	CB-1873AP-.75MM	
H-Series, Performance, No Dowel Hole In Cap Half, Fractured Rod	Exclusive	CB-1873H	6	
	Exclusive	CB-1873H-.026MM		
	Exclusive	CB-1873H-.25MM		
Bearing Wall .0005" Thinner For .0010" More Oil Clearance, No Dowel Hole In Cap Half, Fractured Rod	Exclusive	CB-1873HX	6	
Main Bearing Set	Supersedes To MS-2328H	See Note	MS-1717H	1
		See Note	MS-1717H-.026MM	
		See Note	MS-1717H-.25MM	
	Supersedes To MS-2328HX	See Note	MS-1717HX	1
	Supersedes To MS-2328P	See Note	MS-1717P	1
		See Note	MS-1717P-.25MM	
		See Note	MS-1717P-.50MM	
		See Note	MS-1717P-.75MM	
	Supersedes To MS-2329P	See Note	MS-2272P	1
H-Series, Performance, Grooved Upper Half And Plain Lower Half, Contains Upper Flanged Bearing	Exclusive	MS-2328H	1	
	Exclusive	MS-2328H-.026MM		
	Exclusive	MS-2328H-.25MM		



PART	NOTES	OE INTERCHANGE NUMBER	PART NUMBER	ORDER QTY
------	-------	-----------------------	-------------	-----------

4 (cont.)	Engine Code: '6B-5.9' 6 Cyl, 5.9L / 359 CID, Bore 102.0mm / 4.016", Stroke 120.0mm / 4.724"			4 (cont.)
----------------------	---	--	--	----------------------

Bearings

Main Bearing Set	Bearing Wall .0005" Thinner For .0010" More Oil Clearance, Grooved Upper Half And Plain Lower Half, Contains Half Flanged Bearing	Exclusive	MS-2328HX	1
	180 Degree Thrust, Reduced Diameter Thrust Flange	4955352	MS-2328P	1
		4955860	MS-2328P-.25MM	
		4955861	MS-2328P-.50MM	
		4955862	MS-2328P-.75MM	
Contains Full Flanged Bearing, .25MM Undersize Contains OE#'s: 4938937(6), 4938933(6), 4938949, And 4938942	4025224	MS-2329P	1	
	See Note	MS-2329P-.25MM		
Piston Pin Bushing	Early Design With Oil Hole In Top	3941476	223-3717	6
	Late Design With Oil Hole At 45 Degrees	4891178	223-3718	6
Camshaft Bearing	To 1996, 2.260" OD	3901306	SH-1404	1
	1996 and up, 2.340" OD STORM Block, Position Number 1	3940059	SH-1981	1

Valve Train & Ancillary

Valve (Intake)	2 Valve Cylinder Head, Valve Only, Bare Valve OE# 3920867	3802355	211-3201	6
	4 Valve Cylinder Head, Valve Only, Bare Valve OE# 3940735	3802924	211-4182	12
Valve (Exhaust)	2 Valve Cylinder Head, Valve Only, Bare Valve OE# 3920868	3802356	211-3202	6
	4 Valve Cylinder Head, Valve Only, Bare Valve OE# 3940734	3802967	211-4183	12
Valve Guide	Intake, 2 Valve Cylinder Head, Thick Wall, 60.50mm Length	3904408	217-4114	6
	Exhaust, 2 Valve Cylinder Head, Thick Wall, 51.75mm Length	3904409	217-4115	6
Valve Spring	Intake And Exhaust, 2 Valve Cylinder Head	3900276	212-1800	12
Valve Spring Retainer	Intake And Exhaust, Except 6B Series, Marine Intake Only	3900299	216-4121	12
Valve Seat Insert	Intake, 4 Valve Cylinder Head, Standard	3943449	218-3790	12
	Exhaust, 4 Valve Cylinder Head, Standard	3943450	218-3791	12
Rocker Arm	2 Valve Cylinder Head, Kit Contains OE#'s: Lever 3910808, Nut 3927692, Screw 3937438, And Insert 3900705	3910810	214-2194	6
	2 Valve Cylinder Head, Kit With Lever OE# 3910809, Nut OE# 3927692, Screw OE# 3937438, Insert OE# 3900705	3910811	214-2195	6
	Exhaust, 4 Valve Cylinder Head, Kit Contains OE#'s: Lever 3942735, Socket 3935946, And Retainer 3935945	3937219	214-2196	6
	Intake, 4 Valve Cylinder Head, Kit Contains OE#'s: Lever 3942734, Socket 3935946, And Retainer 3935945	3937220	214-2197	6
Rocker Arm Bridge		3943626	214-1182	12
Rocker Arm Shaft	Exhaust, 4 Valve Cylinder Head	3935892	230-3057	1
Rocker Lever Support	Kit With Support OE# 3911423 And Shaft OE# 3922487	3922488	214-1184	6



PART	NOTES	OE INTERCHANGE NUMBER	PART NUMBER	ORDER QTY
------	-------	-----------------------	-------------	-----------

4 (cont.)	Engine Code: '6B-5.9' 6 Cyl, 5.9L / 359 CID, Bore 102.0mm / 4.016", Stroke 120.0mm / 4.724"			4 (cont.)
----------------------	---	--	--	----------------------

Filters

Spin-on oil filter	Filter Type Spin-On Oil Filter	3937743	OC 1001	1	
		10521 3890708 3890710 3903264 3914395 B3908615	OC 320	1	
		4989314	OC 502	1	
Spin-on fuel filter		3890706 3930942 3930942 3930942 3930942 3935274	KC 191	1	
	Fuel filter element	Filter Type Fuel Filter Cartridge	4941252	KX 357•	1

Turbochargers

Turbocharger		3529032 3803108	183 TC 24563 000	1
	6BT	3802289	286 TC 14015 000	1
	6BT, 6CT	3802126 3910877 3919201	286 TC 15267 000	1
	1999.5-2002 Ram 2500/3500, 6BT, Manual Trans, For Engines Rated 230-245 HP, Condition New	3592766	286 TC 21002 000	1
	1994-1995 Dodge Truck, For Automatic & Manual, For Engines Rated 160-175 HP	3802839 3804964	286 TC 21003 000	1
	1996-1998 Dodge Truck and Bus, For Automatic, Engines Rated At 180 HP, without California Emissions	3539369 3802992	286 TC 21007 000	1
	1998.5 Dodge Truck, For Automatic & Manual, For Engines Rated At 215 HP, Add-On GS33583	3539394 3802946	286 TC 21008 000	1
	1999 Dodge Truck, For Automatic, For Engines Rated At 215 HP, Add-On GS33583	3590104	286 TC 21009 000	1
	2003-2004 Dodge Truck, For Automatic & Manual, Engines Rated At 305 HP, Common Rail	3599811 4035044	286 TC 21010 000	1
		3800990	286 TC 21103 000	1
	2000-2002 Dodge Truck, For Automatic, For Engines Rated 215-235 HP, Type With Actuator, Condition New, Add-On GS33583	3800973 4036239	286 TC 25004 000	1
	2004.5-2006 Dodge Truck, For Automatic & Manual, For Engines Rated 235 HP, Common Rail, Includes Discharge Casting, Type With Actuator	4043600 4089673	286 TC 25042 000	1
		3802770	286 TC 31101 000	1
		3802770	286 TC 31102 000	1

Camshaft & Timing Components

Camshaft	* Please check CPL numbers	3929886	229-2432	1
----------	----------------------------	---------	----------	---



PART	NOTES	OE INTERCHANGE NUMBER	PART NUMBER	ORDER QTY
------	-------	-----------------------	-------------	-----------

4 (cont.)	Engine Code: '6B-5.9' 6 Cyl, 5.9L / 359 CID, Bore 102.0mm / 4.016", Stroke 120.0mm / 4.724"			4 (cont.)
----------------------------	---	--	--	----------------------------

Camshaft & Timing Components

Camshaft	* Please check CPL numbers	3929042	229-2433	1
	* Please check CPL numbers	3283179	229-2434	1
		3929734	229-2440	1
		3942567	229-2441	1
	Marine Specific, With Gear	3930378	229-2442	1
		3979506	229-2444	1
Cam Gear		3942755	8-5506	1
		3929028	8-5507	1
		3921954	8-5508	1

Crankshaft

Crankshaft		3929037	247-5130	1
	Without Gear	4980462	247-5228	1

5	Engine Code: '4B-4.5' 4 Cyl, 4.5L / 275 CID, Bore 102.0mm / 4.016", Stroke 137.0mm / 5.394"			5
----------	---	--	--	----------

Bearings

Main Bearing Set	180 Degree Thrust	3802010	MS-1718P	1
		3802011	MS-1718P-.25MM	
		3802012	MS-1718P-.50MM	
		3802013	MS-1718P-.75MM	
Piston Pin Bushing	Late Design With Oil Hole At 45 Degrees	4891178	223-3718	4

Valve Train & Ancillary

Valve (Intake)	2 Valve Cylinder Head, Valve Only, Bare Valve OE# 3920867	3802355	211-3201	8
Valve (Exhaust)	2 Valve Cylinder Head, Valve Only, Bare Valve OE# 3920868	3802356	211-3202	8
Rocker Arm	Exhaust, 4 Valve Cylinder Head, Kit Contains OE#s: Lever 3942735, Socket 3935946, And Retainer 3935945	3937219	214-2196	4
	Intake, 4 Valve Cylinder Head, Kit Contains OE#s: Lever 3942734, Socket 3935946, And Retainer 3935945	3937220	214-2197	4

6	Engine Code: '6B-6.7' 6 Cyl, 6.7L / 408 CID, Bore 107.0mm / 4.210", Stroke 124.0mm / 4.080"; Turbocharged			6
----------	---	--	--	----------

Cylinder Components

Piston	Piston Skirt Clearance: 0.0047"	4938619	224-3732*	6
		4938620	224-3732.020	6
		4931888	224-3802	6
		4934816	224-3802.020	



PART	NOTES	OE INTERCHANGE NUMBER	PART NUMBER	ORDER QTY
------	-------	-----------------------	-------------	-----------

6 (cont.)	Engine Code: '6B-6.7' 6 Cyl, 6.7L / 408 CID, Bore 107.0mm / 4.210", Stroke 124.0mm / 4.080"; Turbocharged	6 (cont.)		
----------------------	---	----------------------	--	--

Cylinder Components

Rebore Kit		4955365	225-3732	6
		4956007	225-3732.020	
		4931888	225-3802	6
		4934816	225-3802.020	
Ring Set	Engine Set	4955366	42140•	1
		4955480	42140.020	
		4955251	42188•	1
		4955480	42188.020	
		4955366	S42140	6
		4955480	S42140.020	
		4955251	S42188•	6
		4955480	S42188.020	

Engine Gaskets

Engine Cylinder Head Gasket Set	Dodge Truck Applications	4955354	HS54774-1	1
	Non Automotive Applications	4955523	HS54774-2	1
	Non EGR Engines	4955229	HS54774-3	1
Engine Conversion Gasket Set	Automotive Applications, Rear Main Seal Not Included, Timing Cover Seal Not Included, Use With Head Set To Make Full Set	4955355	CS54774-1	1
Engine Cylinder Head Gasket	Material Multi-Layered Steel	4932210	54774	1
Engine Cylinder Head Bolt Set	Full set, 24 Valve Engines Only, 26 Per Package	3927063	GS33493	1
Engine Valve Cover Gasket Set	Gasket Material: Victo-Tech	3963379	VS50419	1
	Material Molded Rubber/Steel, With Integrated Wire Harness	5264950	VS50543	1
Valve Stem Seal (Intake)	ISB, From Engine S/N 46239409, Top Hat Seal	3955393	B45962	24
Valve Stem Seal (Exhaust)	ISB, From Engine S/N 46239409, Top Hat Seal	3955394	B45963	12
Engine Intake Manifold Gasket Set	Dodge Truck Installation, Contains OE# Fuel Injection O Ring 4062328 (6), Intake Manifold Gasket 3947530, EGR Tube 3949910, EFT Inlet Gasket 3958716, Intake Manifold Air Connection 4940849, Fuel Line O Ring 3963990 (10), EGF Valve Gasket 3979769 (2), Intake Manifold Air Connection 4933235 (2), Master Set - Contains Intake Manifold Gaskets Plus All Miscellaneous Gaskets and Seals Needed for Intake Installation.	See Note	MIS19751	1
	Contains OE#: Intake Manifold Cover 3947530, Gasket 4940849, And 4933235, Material Graphite	See Note	MS19751	1
Exhaust Manifold Gasket Set	6 Per Package, Material Beaded Steel	3955339	MS19225	1
Engine Oil Pan Gasket Set	Material Beaded Paper	4943167	OS32381	1



PART	NOTES	OE INTERCHANGE NUMBER	PART NUMBER	ORDER QTY
------	-------	-----------------------	-------------	-----------

6 (cont.)	Engine Code: '6B-6.7' 6 Cyl, 6.7L / 408 CID, Bore 107.0mm / 4.210", Stroke 124.0mm / 4.080"; Turbocharged			6 (cont.)
----------------------	---	--	--	----------------------

Engine Gaskets

Engine Timing Cover Gasket Set	Front Seal Kit: 3802820 And 3947514, Front Seal Kit Contains: Oil Seal 3922598, Wear Sleeve 3922599, And Installation Tool 3922600	See Note	JV5076•	1
Engine Timing Cover Seal	Material Teflon, Contains Sleeve And Dust Shield	3802820	48383	1
Rear Main Seal Set	May Require The Use Of Installation Tool GS33491	See Note	JV1690	1
Rear Main Seal	Material Teflon, May Require The Use Of Installation Tool GS33491	4089342	48384	1
		3926126	67857	1

Miscellaneous Gaskets

Turbocharger Mounting Gasket Set	Contains OE#s: 3883284, 3678786, 3678603(2), 4931365, 3928624(2), And 3977338, Material Multi-Layered Steel	See Note	GS33616	1
EGR Valve Gasket	Material Beaded Steel	3979769	G32461	1
	Cooler Tube Gasket, Material Beaded Steel	3949910	G32479	4
	Cooler Mounting Gasket, Material Multi-Layered Steel	5266801	G32480	1
	Inlet Pipe Gasket, Material Beaded Steel	3958716	G32481	1
Engine Coolant Thermostat Seal		3954829	C31858	1
Turbocharger Gasket	Material Multi-Layered Steel	3977338	G32463	1
Engine Oil Cooler Gasket Set	Material Steel	3977913	GS33485	1
Engine Oil Drain Plug Gasket		3287561	B32484	1
Fuel Injector Seal Kit	1 Set Services 1 Injector, Contains OE# 3976371 Washer And 3977393 O-Ring	See Note	GS33614	6
Fuel Injection Auxiliary Valve O-ring	1/4" X 3/8" X 1/16"	See Note	72010	1
Fuel Pump Seal	Material Nitrile	2830977	D32483	1
Engine Water Pump Gasket		3906698	K31420	1
Exhaust Pipe Flange Gasket		4933225	F32482	1

Bearings

Connecting Rod Bearing (Pair)	Note Tri-metal Upper Bearing, BiMetal Aluminum Lower Bearing, Standard Size Contains OE# 3969562 Upper Shell And 4893693 Lower Shell, .25MM Undersize Contains OE# 4932375 Upper Shell And 4892795 Lower Shell, .50MM Undersize Contains OE# 4932376 Upper Shell And 4893796 Lower Shell, .75MM Undersize Contains OE# 4932377 Upper Shell And 4893797 Lower Shell	See Note	CB-1873AP	6
		See Note	CB-1873AP-.25MM	
		See Note	CB-1873AP-.50MM	
		See Note	CB-1873AP-.75MM	
	H-Series, Performance, No Dowel Hole In Cap Half, Fractured Rod	Exclusive	CB-1873H	6
		Exclusive	CB-1873H-.026MM	
		Exclusive	CB-1873H-.25MM	



PART	NOTES	OE INTERCHANGE NUMBER	PART NUMBER	ORDER QTY
------	-------	-----------------------	-------------	-----------

6 (cont.)	Engine Code: '6B-6.7' 6 Cyl, 6.7L / 408 CID, Bore 107.0mm / 4.210", Stroke 124.0mm / 4.080"; Turbocharged	6 (cont.)		
----------------------	---	----------------------	--	--

Bearings

Connecting Rod Bearing (Pair)	Bearing Wall .0005" Thinner For .0010" More Oil Clearance, No Dowel Hole In Cap Half, Fractured Rod	Exclusive	CB-1873HX	6	
Main Bearing Set	Supersedes To MS-2328H	See Note	MS-1717H	1	
		See Note	MS-1717H-.026MM		
		See Note	MS-1717H-.25MM		
	Supersedes To MS-2328HX	See Note	MS-1717HX	1	
		Supersedes To MS-2328P	See Note	MS-1717P	1
	See Note		MS-1717P-.25MM		
	See Note		MS-1717P-.50MM		
	See Note		MS-1717P-.75MM		
	H-Series, Performance, Grooved Upper Half And Plain Lower Half, Contains Upper Flanged Bearing	Exclusive	MS-2328H	1	
		Exclusive	MS-2328H-.026MM		
Exclusive		MS-2328H-.25MM			
Bearing Wall .0005" Thinner For .0010" More Oil Clearance, Grooved Upper Half And Plain Lower Half, Contains Half Flanged Bearing	Exclusive	MS-2328HX	1		
	180 Degree Thrust, Reduced Diameter Thrust Flange	4955352		MS-2328P	1
		4955860		MS-2328P-.25MM	
		4955861		MS-2328P-.50MM	
		4955862		MS-2328P-.75MM	
Piston Pin Bushing	Late Design With Oil Hole At 45 Degrees	4891178	223-3718	6	

Valve Train & Ancillary

Valve (Intake)	4 Valve Cylinder Head, Valve Only, Bare Valve OE# 3940735	3802924	211-4182	12
Valve Seat Insert	Exhaust, 4 Valve Cylinder Head, Standard	3943450	218-3791	12
Rocker Arm	Exhaust, 4 Valve Cylinder Head, Kit Contains OE#'s: Lever 3942735, Socket 3935946, And Retainer 3935945	3937219	214-2196	6
	Intake, 4 Valve Cylinder Head, Kit Contains OE#'s: Lever 3942734, Socket 3935946, And Retainer 3935945	3937220	214-2197	6
Rocker Arm Shaft	Exhaust, 4 Valve Cylinder Head	3935892	230-3057	6

Filters

Spin-on oil filter	Filter Type Spin-On Oil Filter	3937743	OC 1001	1
---------------------------	--------------------------------	---------	----------------	---

Turbochargers

Turbocharger	2007-2012, 2500/3500/4500/5500 Dodge Ram VGT, Type With Actuator, Add-On GS32463, GS33616	4955361 4955361NX	286 TC 21101 100	1
Turbocharger Service Kit	For Turbocharger 286 TC 21101 100	See Note	286 TS 21101 100	1

Crankshaft

Crankshaft		4934861	247-5229	1
-------------------	--	---------	-----------------	---



PART	NOTES	OE INTERCHANGE NUMBER	PART NUMBER	ORDER QTY
------	-------	-----------------------	-------------	-----------

7	Engine Code: 'C-464 (Old C)' 6 Cyl, 7.6L / 464 CID, Bore 112.7mm / 4.437", Stroke 127.0mm / 5.000"			7
----------	--	--	--	----------

Engine Gaskets

Engine Timing Cover Seal		4955372	67883	1
---------------------------------	--	---------	--------------	---

8	Engine Code: '6C-8.3' 6 Cyl, 8.3L / 505 CID, Bore 114.0mm / 4.488", Stroke 135.1mm / 5.320"; Turbocharged-Aftercooled			8
----------	---	--	--	----------

Cylinder Components

Cylinder Sleeve Assembly		3802388	226-1894	6
	Includes Bare Liner OE# 3919937, Pilot 130.948mm/ 5.1554", Length 237.00mm/9.3307"	3802406	226-1899	6
	Includes OE# 3802657 Piston And 3907792 Bare Liner	See Note	226-1916	6
	1992 And Up, For Thick Wall Blocks	3802811	226-1917	6
		3802404	226-1947	6
		3802400	226-1948	6
		3802401	226-1950	6
		3802403	226-1951	6
		3934593	226-2035	6
		Includes OE# 3917707 Piston And 3948095 Bare Liner	See Note	226-2058
Cylinder Sleeve	Thru 1991, For Thin Wall Blocks	3802370	226-4496	6
	Includes Bare Liner OE# 3907792, Pilot 132.948mm/ 5.2342", Length 237.00mm/9.3307", Kit Includes O-Rings	3907792		
	1992 And Up, For Thick Wall Blocks	3802407	226-4547	6
	Includes Bare Liner OE# 3919937, Pilot 130.948mm/ 5.1554", Length 237.00mm/9.3307", Kit Includes O-Rings, Diesel and Natural Gas	3919937		
Piston	Includes Bare Liner OE# 3948095, Pilot 130.948mm/ 5.1554", Length 234.12mm/9.2173", Diesel and Natural Gas	3800328 3948095	226-4566	6
	.984" Bowl, Standard Engines	3917707	224-3012	6
	Celect Engine Series	3802657	224-3293	6
	.837" Bowl			
		3923163	224-3325	6
		3919930	224-3326	6
		4019886	224-3328	6
		3919247	224-3329	6
	Grade A	3925878	224-3330A	6
Grade C	3925880	224-3330C	6	
Grade D	3925881	224-3330D	6	
Rebore Kit		3802657	225-3293	6
		4020059	225-3328	6
		3802601	225-3330A	6
		3802602	225-3330B	6



PART	NOTES	OE INTERCHANGE NUMBER	PART NUMBER	ORDER QTY
------	-------	-----------------------	-------------	-----------

8 (cont.)	Engine Code: '6C-8.3' 6 Cyl, 8.3L / 505 CID, Bore 114.0mm / 4.488", Stroke 135.1mm / 5.320"; Turbocharged-Aftercooled	8 (cont.)		
----------------------	--	----------------------	--	--

Cylinder Components

Rebore Kit		3802603	225-3330C	6
		3802604	225-3330D	6
	Discontinued when out of stock	3802568	225-3331D	6
	Pin Not Included	3800320	225-3754	6
	Pin Not Included	4955237	225-3783	6
	Pin Not Included	4089646	225-3784	6
		4309095	225-3786	6
	Pin Not Included	3800318	225-3787	6
	Pin Not Included	4089963	225-3788	6
Ring Set	Keystone Top Compression Ring	3802429	S41677	6
	Plasma-Moly Ductile Iron	3802538	S41901	6
	Barrel Faced, Internal Step Top (Positive Twist), Keystone Top Compression Ring	3800912	S42162	6
	Barrel Faced, Internal Step Top (Positive Twist), Keystone Top Compression Ring	4089644	S42163	6
Sleeve O-Ring Kit	Diesel and Natural Gas	3907177	223-7201	6

Engine Gaskets

Engine Cylinder Head Gasket Set		4025271	HS54126	1
		4089958	HS54132	1
Engine Conversion Gasket Set	Diesel and Natural Gas	3800558	CS54126-1	1
		3800343	CS54132-1	1
Engine Cylinder Head Gasket		3938267	54126	1
		3943366	54132	1
Engine Valve Cover Gasket Set	Contains Grommets, Diesel and Natural Gas	3902466	VS50577	1
Engine Valve Stem Seal Set	Intake And Exhaust	3948578	B45955	24
Valve Stem Seal (Intake)		3927642	B45893	6
Valve Stem Seal (Exhaust)		3927642	B45893	6
Engine Intake Manifold Gasket Set	Diesel and Natural Gas	3936993	MS19374	1
Exhaust Manifold Gasket Set		3929012	MS19719	1
Engine Oil Pan Gasket Set	Diesel and Natural Gas	3938160	OS32205•	1
Engine Timing Cover Gasket Set		3281721 3921927	JV5074	1
	Diesel and Natural Gas	4025270	67639	1
Engine Timing Cover Seal		4955372	67883	1
Rear Main Seal	Material Teflon, May Require The Use Of Installation Tool GS33491	4089342	48384	1

PART	NOTES	OE INTERCHANGE NUMBER	PART NUMBER	ORDER QTY
------	-------	-----------------------	-------------	-----------

8 (cont.)	Engine Code: '6C-8.3' 6 Cyl, 8.3L / 505 CID, Bore 114.0mm / 4.488", Stroke 135.1mm / 5.320"; Turbocharged-Aftercooled			8 (cont.)
----------------------	---	--	--	----------------------

Miscellaneous Gaskets

Repair Sleeve Tool	Plastic Type, Rear Gear Train Engine	3909409	GS33491	1
---------------------------	--------------------------------------	---------	----------------	---

Bearings

Connecting Rod Bearing (Pair)	Diesel and Natural Gas	3901430	CB-1409P	6
		3901431	CB-1409P-.25MM	
		3901432	CB-1409P-.50MM	
		3901433	CB-1409P-.75MM	
Main Bearing Set	Diesel and Natural Gas	3950661 3966244	CB-1923P	6
		3945917	MS-1740P	1
		3802211	MS-1740P-.25MM	
		3802212	MS-1740P-.50MM	
Main Bearings (Single, Pair)	Contains Straight Shell Bearings	3945930	MB-3104A	6
	Contains Full Flanged Bearing	3945929	MB-3964A	1
Piston Pin Bushing	Requires Boring, Diesel and Natural Gas	3970951	223-3642	6
Camshaft Bearing	Diesel and Natural Gas	3945329	SH-2183	7

Valve Train & Ancillary

Valve (Intake)	2 Valve Cylinder Head, Valve Only, Bare Valve OE# 3924492	3802463	211-3203	6
	4 Valve Cylinder Head, With Locks	3800340	211-4298	12
Valve (Exhaust)	2 Valve Cylinder Head, Valve Only, Bare Valve OE# 3921444	3802085	211-3204	6
	4 Valve Cylinder Head, With Locks	3800341	211-4296	12
Valve Guide	Intake And Exhaust, 2 Valve Cylinder Head, Diesel and Natural Gas	3923564	217-4117	12
	Intake And Exhaust, 2 Valve Cylinder Head, OE# 3925863	3925863	217-4118	12
	4 Valve Cylinder Head, 0.316" ID, Finished Inner Diameter	3948102	217-4119	24
	4 Valve Cylinder Head, 0.294" ID, Unfinished Inner Diameter	4934063	217-4120	24
Valve Spring	Exhaust	3916588	212-1794	6
	Intake And Exhaust	3925272	212-1795	12
	Intake And Exhaust, 2 Green Stripes	4936076	212-1796	24
	Intake, Blue Stripe, Diesel and Natural Gas	3991085	212-1797	6
Valve Spring Retainer	Intake And Exhaust, 2 Valve Cylinder Head	3972757	216-4120	12
Valve Seat Insert (Intake)	Standard, 2 Valve Cylinder Head	3924582	218-3796	6
	Standard, 4 Valve Cylinder Head	3940152	218-3798	12
Valve Seat Insert (Exhaust)	Standard, 4 Valve Cylinder Head	3968074	218-3795	12
	Standard, 2 Valve Cylinder Head	3928174	218-3797	6
	Standard, 4 Valve Cylinder Head	3940153	218-3799	12
	Standard, 2 Valve Cylinder Head	3929005	218-3800	6
Rocker Arm	Kit Contains OE#'s: Lever 3926429, Nut 3927692, Screw 3937438, And Insert 3902588	3901717	214-2188	12



PART	NOTES	OE INTERCHANGE NUMBER	PART NUMBER	ORDER QTY
------	-------	-----------------------	-------------	-----------

8 (cont.)	Engine Code: '6C-8.3' 6 Cyl, 8.3L / 505 CID, Bore 114.0mm / 4.488", Stroke 135.1mm / 5.320"; Turbocharged-Aftercooled			8 (cont.)
----------------------	---	--	--	----------------------

Valve Train & Ancillary

Rocker Arm	Intake, 4 Valve Cylinder Head, Kit Contains OE#'s: Lever 3941934, Nut 3927692, Screw 3959128, And Ball 3942730	3942748	214-2189	6
	Exhaust, 4 Valve Cylinder Head, Kit Contains OE#'s: Lever 3941937, Nut 3927692, Screw 3959128, And Ball 3942730	3942749	214-2190	6
	Intake, Kit Contains OE#'s: Lever 4995633, 3941934, Nut 203131, Screw 3964720, Ball 4994197, And Socket 4994198	4995630	214-2191	1
Rocker Arm Bridge		3943445	214-1181	12
Rocker Arm Shaft		3941137	230-3059	12
	With Rivet 3919434	3919435	230-3060	6
Rocker Lever Support		3905870	214-1183	6
Tappet Guide	Engines With Roller Tappets And Threaded Guide Pin Hole	4944725	213-1794	12

Turbochargers

Turbocharger		3800400	183 TC 23538 000	1
	6CTA	3800400 4955657	183 TC 23538 100	1
	6BT, 6CT	3802126 3910877 3919201	286 TC 15267 000	1
	Industrial	3538352 3804858	286 TC 21102 000	1
	6CTA, Freightliner, Encore	3800383	286 TC 24929 000	1
		3802770	286 TC 31101 000	1
		3802770	286 TC 31102 000	1
		3802810 4044990	286 TC 31104 000	1

Camshaft & Timing Components

Camshaft		3923478	229-2435	1
		3945033	229-2445	1
		3967256	229-2446	1
		3938163	229-2447	1
		3966430	229-2448	1

Crankshaft

Push Rod	Intake And Exhaust	3905194	215-4355	12
	Intake And Exhaust, 4 Valve Cylinder Head	3944174	215-4356	12
	Intake And Exhaust	3964715	215-4357	12
Crankshaft	Diesel and Natural Gas	3917320	247-5096	1



PART	NOTES	OE INTERCHANGE NUMBER	PART NUMBER	ORDER QTY
------	-------	-----------------------	-------------	-----------

9	Engine Code: 'ISL, QSL' 6 Cyl, 8.9L / 543 CID, Bore 114.0mm / 4.488", Stroke 144.5mm / 5.689"			9
----------	---	--	--	----------

Bearings

Piston Pin Bushing		4944137	223-3726	6
---------------------------	--	---------	----------	---

Valve Train & Ancillary

Valve (Intake)	4 Valve Cylinder Head, Inconel, With Locks	4089761	211-4297	12
	4 Valve Cylinder Head, With Locks	3800340	211-4298	12
Valve (Exhaust)	4 Valve Cylinder Head, Inconel, With Locks	4089762	211-4295	12
	4 Valve Cylinder Head, With Locks	3800341	211-4296	12
Valve Guide	4 Valve Cylinder Head, 0.316" ID, Finished Inner Diameter	3948102	217-4119	24
	4 Valve Cylinder Head, 0.294" ID, Unfinished Inner Diameter	4934063	217-4120	24
Valve Spring	Intake And Exhaust, 2 Green Stripes	4936076	212-1796	24
Valve Seat Insert (Intake)	Standard, 4 Valve Cylinder Head	3940152	218-3798	12
Valve Seat Insert (Exhaust)	Standard, 4 Valve Cylinder Head	3968074	218-3795	12
	Standard, 4 Valve Cylinder Head	3940153	218-3799	12
Rocker Arm	Intake, 4 Valve Cylinder Head, Kit Contains OE#'s: Lever 3941934, Nut 3927692, Screw 3959128, And Ball 3942730	3942748	214-2189	6
	Exhaust, 4 Valve Cylinder Head, Kit Contains OE#'s: Lever 3941937, Nut 3927692, Screw 3959128, And Ball 3942730	3942749	214-2190	6
	Intake, Kit Contains OE#'s: Lever 4995633, 3941934, Nut 203131, Screw 3964720, Ball 4994197, And Socket 4994198	4995630	214-2191	6
	Intake	4995631	214-2192	6
	Exhaust, Contains OE#'s: Kit With Lever 5253889, 3941937, Nut 203131, Screw 3964720, And 4994197	5253888	214-2193	6
Rocker Arm Bridge		3943445	214-1181	12
Rocker Arm Shaft		3941137	230-3059	6
Tappet Guide	Engines With Roller Tappets And Threaded Guide Pin Hole	4944725	213-1794	12

Crankshaft

Push Rod	Intake And Exhaust	3964715	215-4357	12
-----------------	--------------------	---------	----------	----

10	Engine Code: 'V-378' 6 Cyl, 6.2L / 378 CID, Bore 117.5mm / 4.625", Stroke 95.3mm / 3.750"			10
-----------	---	--	--	-----------

Cylinder Components

Piston		AR60740	224-2124	6
Ring Set	Keystone Top Compression Ring	AR62258	S40856	6
	Chrome Ductile Iron, Keystone Top Compression Ring	3278723	S41082	6
Sleeve O-Ring Kit		216283	223-7155	6



PART	NOTES	OE INTERCHANGE NUMBER	PART NUMBER	ORDER QTY
------	-------	-----------------------	-------------	-----------

10 (cont.)	Engine Code: 'V-378' 6 Cyl, 6.2L / 378 CID, Bore 117.5mm / 4.625", Stroke 95.3mm / 3.750"	10 (cont.)
-----------------------------	--	-----------------------------

Engine Gaskets

Engine Cylinder Head Gasket Set		3801657	HS3980	1
Engine Conversion Gasket Set	Does Not Include Front And Rear Crankshaft Seals	3801657	CS3980	1
Engine Timing Cover Seal	Crankshaft, Early Models, Tapered Nose	3010457	47543	1

Bearings

Connecting Rod Bearing (Pair)	Phase 5 Engines	3012360	CB-1631P	6
		157621	CB-1631P-10	
		157622	CB-1631P-20	
		157623	CB-1631P-30	
Main Bearing Set	Use In Number 4 Position Phase 5 Engine, Contains 4 Piece Thrust Washer Set, Contains Dowel Pins	BM99830	MS-1060P	1
		BM99831	MS-1060P-10	
		BM99832	MS-1060P-20	
		BM99833	MS-1060P-30	
Thrust Washer Set	4 Per Package	173640	TW-448S	1
Piston Pin Bushing	Requires Boring	3277332	223-3564	6
Camshaft Bearing Set	Phase 5 Engine, Contains OE#s: 3031037(2) And 3278345(2)	See Note	SH-1395S	1

Valve Train & Ancillary

Valve (Intake & Exhaust)	1.605" OD, Early Style With .330" Tip To Groove, Order Locks Separately, Valve Only	3275356	211-2325	12
Valve Guide		3278173	217-3289	12
Valve Seat Insert (Intake)		195000	218-7800	6
Valve Lock	2 Per Package	3275354	216-5215	24

Filters

Spin-on oil filter		3313289	OC 282	1
Spin-on fuel filter		BM68669 BM78669 BM78672 CF105 D156172	KC 28	1

Crankshaft

Crankshaft		195240	247-5066	1
------------	--	--------	----------	---

11	Engine Code: 'V-470' 8 Cyl, 7.7L / 470 CID, Bore 117.5mm / 4.625", Stroke 88.9mm / 3.500"	11
-----------	--	-----------

Cylinder Components

Ring Set	Keystone Top Compression Ring	AR62258	S40856	8
	Chrome Ductile Iron, Keystone Top Compression Ring	3278723	S41082	8



PART	NOTES	OE INTERCHANGE NUMBER	PART NUMBER	ORDER QTY
------	-------	-----------------------	-------------	-----------

11 (cont.)	Engine Code: 'V-470' 8 Cyl, 7.7L / 470 CID, Bore 117.5mm / 4.625", Stroke 88.9mm / 3.500"			11 (cont.)
-----------------------------	---	--	--	-----------------------------

Cylinder Components

Sleeve O-Ring Kit		216283	223-7155	8
-------------------	--	--------	----------	---

Engine Gaskets

Engine Cylinder Head Gasket Set	Contains OE#'s: Head Gasket 3017062 And O-Rings 553019(4)	3277753	HS3932X	1
Engine Timing Cover Seal	Crankshaft, Early Models, Tapered Nose	3010457	47543	1

Miscellaneous Gaskets

Injector Tube O-Ring		3007759	GS33571	8
----------------------	--	---------	---------	---

Bearings

Connecting Rod Bearing (Pair)	Phase 5 Engines	3012360	CB-1631P	8
		157621	CB-1631P-10	
		157622	CB-1631P-20	
		157623	CB-1631P-30	
Main Bearing Set	Contains 4 Piece Thrust Washer Set, Contains Dowel Pins	BM99820	MS-1061P	1
		BM99821	MS-1061P-10	
		BM99822	MS-1061P-20	
		BM99823	MS-1061P-30	
Thrust Washer Set	4 Per Package	173640	TW-448S	1
Piston Pin Bushing	Requires Boring	3277332	223-3564	8
Camshaft Bearing Set	Phase 5 Engine, Contains OE#'s: 3031037(3) And 3278345(2)	See Note	SH-1394S	1

Valve Train & Ancillary

Valve (Intake)	1.605" OD, Early Style With .330" Tip To Groove, Order Locks Separately, Valve Only	3275356	211-2325	16
Valve Guide		3278173	217-3289	32
Valve Seat Insert		195000	218-7800	16
Valve Seat Insert (Intake)		195000	218-7800	16
Valve Lock	2 Per Package	3275354	216-5215	32

12	Engine Code: 'V-352' 6 Cyl, 5.8L / 352 CID, Bore 117.5mm / 4.625", Stroke 88.9mm / 3.500"			12
-----------	---	--	--	-----------

Cylinder Components

Ring Set	Keystone Top Compression Ring	AR62258	S40856	6
Sleeve O-Ring Kit		216283	223-7155	6

Engine Gaskets

Engine Cylinder Head Gasket Set		3801657	HS3980	1
---------------------------------	--	---------	--------	---



PART	NOTES	OE INTERCHANGE NUMBER	PART NUMBER	ORDER QTY
------	-------	-----------------------	-------------	-----------

12 (cont.)	Engine Code: 'V-352' 6 Cyl, 5.8L / 352 CID, Bore 117.5mm / 4.625", Stroke 88.9mm / 3.500"	12 (cont.)		
-----------------------------	---	-----------------------------	--	--

Engine Gaskets

Engine Conversion Gasket Set	Does Not Include Front And Rear Crankshaft Seals	3801657	CS3980	1
Engine Timing Cover Seal	Crankshaft, Early Models, Tapered Nose	3010457	47543	1

Miscellaneous Gaskets

Injector Tube O-Ring		3007759	GS33571	6
-----------------------------	--	---------	----------------	---

Bearings

Connecting Rod Bearing (Pair)	Phase 5 Engines	3012360	CB-1631P	6
		157621	CB-1631P-10	
		157622	CB-1631P-20	
		157623	CB-1631P-30	
Main Bearing Set	Use In Number 4 Position Phase 5 Engine, Contains 4 Piece Thrust Washer Set, Contains Dowel Pins	BM99830	MS-1060P	1
		BM99831	MS-1060P-10	
		BM99832	MS-1060P-20	
		BM99833	MS-1060P-30	
Thrust Washer Set	4 Per Package	173640	TW-448S	1
Piston Pin Bushing	Requires Boring	3277332	223-3564	6
Camshaft Bearing Set	Phase 5 Engine, Contains OE#s: 3031037(2) And 3278345(2)	See Note	SH-1395S	1

Valve Train & Ancillary

Valve (Exhaust)	1.605" OD, Early Style With .330" Tip To Groove, Order Locks Separately, Valve Only	3275356	211-2325	6
Valve Guide		3278173	217-3289	12
Valve Seat Insert		195000	218-7800	6
Valve Seat Insert (Intake)		195000	218-7800	6
Valve Lock	2 Per Package	3275354	216-5215	12

13	Engine Code: 'V-210' 8 Cyl, 8.3L / 504 CID, Bore 117.5mm / 4.625", Stroke 95.3mm / 3.750"	13		
-----------	---	-----------	--	--

Cylinder Components

Piston		AR60740	224-2124	8
Ring Set	Keystone Top Compression Ring	AR62258	S40856	8
	Chrome Ductile Iron, Keystone Top Compression Ring	3278723	S41082	8
Sleeve O-Ring Kit		216283	223-7155	8

Engine Gaskets

Engine Cylinder Head Gasket Set	Contains OE#s: Head Gasket 3017062 And O-Rings 553019(4)	3277753	HS3932X	1
Engine Timing Cover Seal	Crankshaft, Early Models, Tapered Nose	3010457	47543	1



PART	NOTES	OE INTERCHANGE NUMBER	PART NUMBER	ORDER QTY
------	-------	-----------------------	-------------	-----------

13 (cont.)	Engine Code: 'V-210' 8 Cyl, 8.3L / 504 CID, Bore 117.5mm / 4.625", Stroke 95.3mm / 3.750"			13 (cont.)
-----------------------------	---	--	--	-----------------------------

Bearings

Connecting Rod Bearing (Pair)	Phase 5 Engines	3012360	CB-1631P	8
		157621	CB-1631P-10	
		157622	CB-1631P-20	
		157623	CB-1631P-30	
Main Bearing Set	Contains 4 Piece Thrust Washer Set, Contains Dowel Pins	BM99820	MS-1061P	1
		BM99821	MS-1061P-10	
		BM99822	MS-1061P-20	
		BM99823	MS-1061P-30	
Thrust Washer Set	4 Per Package	173640	TW-448S	1
Piston Pin Bushing	Requires Boring	3277332	223-3564	8
Camshaft Bearing Set	Phase 5 Engine, Contains OE#'s: 3031037(3) And 3278345(2)	See Note	SH-1394S	1

Valve Train & Ancillary

Valve (Intake & Exhaust)	1.605" OD, Early Style With .330" Tip To Groove, Order Locks Separately, Valve Only	3275356	211-2325	16
Valve Guide		3278173	217-3289	16
Valve Seat Insert (Intake)		195000	218-7800	8
Valve Lock	2 Per Package	3275354	216-5215	8

Filters

Spin-on oil filter		3313289	OC 282	1
Spin-on fuel filter		BM68669 BM78669 BM78672 CF105 D156172	KC 28	1

Crankshaft

Crankshaft		194840	247-5002	1
------------	--	--------	-----------------	---

14	Engine Code: 'V-555' 8 Cyl, 9.1L / 555 CID, Bore 117.5mm / 4.625", Stroke 104.8mm / 4.125"; Turbocharged, Small Cam, Natural Aspirated			14
-----------	--	--	--	-----------

Cylinder Components

Ring Set	Keystone Top Compression Ring	AR62258	S40856	8
	Chrome Ductile Iron, Keystone Top Compression Ring	3278723	S41082	8
Sleeve O-Ring Kit		216283	223-7155	8

Engine Gaskets

Engine Cylinder Head Gasket Set	Contains OE#'s: Head Gasket 3017062 And O-Rings 553019(4)	3277753	HS3932X	1
Rear Main Seal		3010459	67682	1



PART	NOTES	OE INTERCHANGE NUMBER	PART NUMBER	ORDER QTY
------	-------	-----------------------	-------------	-----------

14 (cont.)	Engine Code: 'V-555' 8 Cyl, 9.1L / 555 CID, Bore 117.5mm / 4.625", Stroke 104.8mm / 4.125"; Turbocharged, Small Cam, Natural Aspirated	14 (cont.)		
-----------------------	--	-----------------------	--	--

Bearings

Connecting Rod Bearing (Pair)		556350	CB-994P	8
		556351	CB-994P-10	
Main Bearing Set	Contains 4 Piece Thrust Washer Set, Contains Dowel Pins	BM99820	MS-1061P	1
		BM99821	MS-1061P-10	
		BM99822	MS-1061P-20	
		BM99823	MS-1061P-30	
Thrust Washer Set	4 Per Package	173640	TW-448S	1
Piston Pin Bushing	Requires Boring	555421	223-3565	8
Camshaft Bearing Set	Phase 5 Engine, Contains OE#s: 3031037(3) And 3278345(2)	See Note	SH-1394S	1

Valve Train & Ancillary

Valve (Intake & Exhaust)	1.605" OD, Early Style With .330" Tip To Groove, Order Locks Separately, Valve Only	3275356	211-2325	32
Valve Guide		3278173	217-3289	32
Valve Seat Insert (Intake)		195000	218-7800	16
Valve Lock	2 Per Package	3275354	216-5215	16

Filters

Spin-on oil filter		3313289	OC 282	1
Spin-on fuel filter		BM68669 BM78669 BM78672 CF105 D156172	KC 28	1

Crankshaft

Crankshaft		3041263	247-5003	1
------------	--	---------	-----------------	---

15	Engine Code: 'H6, H672' 6 Cyl, 11.0L / 672 CID, Bore 123.8mm / 4.875", Stroke 152.4mm / 6.000"; Naturally Aspirated	15		
-----------	---	-----------	--	--

Engine Gaskets

Engine Oil Pan Gasket Set	Premium MP-15 Material, Contains Oil Pan Gasket, O-Ring, And Suction Flange	3099083	OS21996	1
	Standard Material, Contains Oil Pan Gasket, O-Ring, Suction Flange, And Seal Ring	3349820	OS32201	1
Rear Main Seal	Viton, Wet Housing, With Starter Mounts At 90 Degrees Between #3 And #4 Quadrants	141744	46773	1
	Dry Housing, Teflon	3006737	48068	1

Bearings

Connecting Rod Bearing (Pair)		203670	CB-296P	6
		203671	CB-296P-10	



PART	NOTES	OE INTERCHANGE NUMBER	PART NUMBER	ORDER QTY
------	-------	-----------------------	-------------	-----------

15 (cont.)	Engine Code: 'H6, H672' 6 Cyl, 11.0L / 672 CID, Bore 123.8mm / 4.875", Stroke 152.4mm / 6.000"; Naturally Aspirated			15 (cont.)
-----------------------------	---	--	--	-----------------------------

Bearings

Connecting Rod Bearing (Pair)		203672	CB-296P-20	
		203673	CB-296P-30	
		203674	CB-296P-40	
Main Bearing Set	Contains 4 Piece Thrust Washer Set, Contains Lockplates	3801260	MS-1687P	1
		3801261	MS-1687P-10	
		3801262	MS-1687P-20	
		3801263	MS-1687P-30	
Thrust Washer Set	4 Per Package	3067568	TW-369S	1
		Exclusive	TW-369S+10	
		Exclusive	TW-369S+5	
Camshaft Bearing Set	For Late Small Cam Engines, Four 5/32" Oil Holes, 2.000" Camshaft Bearing Journal Diameter	BM27253	SH-568S	1

16	Engine Code: 'L10' 6 Cyl, 10.0L / 611 CID, Bore 125.0mm / 4.921", Stroke 136.0mm / 5.354"; L10 Turbocharged and Turbocharged w/ Aftercooler.			16
-----------	--	--	--	-----------

Cylinder Components

Cylinder Sleeve Assembly		3800801	226-1851	6
		3800800	226-1852	6
Cylinder Sleeve	Diesel and Natural Gas	3803703	226-4546	6
Piston	.377" Bowl, Dual Ni-Resist Inserts, Use To Replace Existing Pistons With Dual Ni-Resist Inserts Or For All Pistons Within Engine Rebuild	3803965	224-2271	6
		3803967	224-3276	6
Ring Set	Keystone Top Compression Ring	3803961	S41371	6
Sleeve O-Ring Kit	Diesel and Natural Gas	3047188	223-7200	6

Engine Gaskets

Engine Cylinder Head Gasket Set	For STC And Celect Engines, Diesel and Natural Gas	4025155	HS54146-1	1
	Standard Engines	4089478	HS54146-2	1
Engine Conversion Gasket Set	For STC And Celect Engines, Wide Block, Diesel and Natural Gas	4089998	CS54132	1
	Wide And Narrow Block	3803404	CS54147	1
	Horizontal Pan	Exclusive	CS54147-1	1
Engine Cylinder Head Gasket		4022500	54146	1
Engine Valve Cover Gasket Set	Early Models	3883220	VS50316	1
	Diesel and Natural Gas	3034855	VS50454	1
Engine Push Rod Cover Gasket Set	Late Model, Rocker Housing To Head, Diesel and Natural Gas	4070529	VS50422	1
Valve Stem Seal (Exhaust)	Diesel and Natural Gas, "Shorter" Exhaust Seal	3073510	B45928	12



PART	NOTES	OE INTERCHANGE NUMBER	PART NUMBER	ORDER QTY
------	-------	-----------------------	-------------	-----------

16 (cont.)	Engine Code: 'L10' 6 Cyl, 10.0L / 611 CID, Bore 125.0mm / 4.921", Stroke 136.0mm / 5.354"; L10 Turbocharged and Turbocharged w/ Aftercooler.	16 (cont.)		
-----------------------	--	-----------------------	--	--

Engine Gaskets

Engine Oil Pan Gasket Set	Narrow Block, Contains Oil Pan Gasket, Oil Filter Mounting Bolts(2)	3882433	OS32209	1
	Horizontal Block, Contains Flange Gaskets(3), Cover Plates(2), O Rings(5), Silicone Sealant, Oil Filter Mounting Bolts(2)	3252363	OS32210	1
	Wide Block, Contains Oil Pan Gasket, Oil Filter Mounting Bolts(2), Diesel and Natural Gas	3401290	OS32219	1
Engine Timing Cover Gasket Set	Contains OE#s: Front Crank Seal Kit 3804744, Coolant Pump Drive Seal Kit 3803894, And Accessory Drive Kit 3804304	See Note	JV5017•	1
	Contains OE#s: Front Cover Gasket 3058148, Oil Seal Kit 3803896, And Oil Seal Kit Contains: Bolts 3025802(6), Carrier Gasket 3600467, Oil Seal 3895065, And Clamping Ring 3895069	See Note	JV5073	1
Engine Timing Cover Seal		3803896	67652	1
Rear Main Seal		3800968	67623	1

Miscellaneous Gaskets

Accessory Drive Seal	Water Pump Side, External Damper, Diesel and Natural Gas	3803894	67633•	1
	Injection Pump Side, Internal Damper	3803573	67648	1
	Water Pump Side, Internal Damper	3803574	67650	1
Fuel Injection Auxiliary Valve O-ring		145504	72018	1
Injector Tube O-Ring		3007759	GS33571	6
Fuel Injection Nozzle O-Ring	Red, White And Blue, Contains OE#s: 3070136, 3070137, And 3070138	See Note	GS33538	6

Bearings

Connecting Rod Bearing (Pair)	Diesel and Natural Gas	3016760	CB-1382P	6
		3016761	CB-1382P-.25MM	
		3016762	CB-1382P-.50MM	
		3016763	CB-1382P-.75MM	
Main Bearing Set	Use In Number 4 Position Contains 4 Piece Thrust Washer Set, Diesel and Natural Gas	4025125	MS-1716P	1
		4025126	MS-1716P-.25MM	
		4025127	MS-1716P-.50MM	
		4025128	MS-1716P-.75MM	
	From Engine Serial Number 34853316, Tab Design On Lower Thrust Washer, Diesel and Natural Gas	4025120	MS-2318P	1
		4025121	MS-2318P-.25MM	
		4025122	MS-2318P-.50MM	
		4025123	MS-2318P-.75MM	
Thrust Washer Set	4 Per Package	3822062	TW-457S	1
	Contains OE#s: 4926019(2) And 49260172(2)	See Note	TW-703S	1



PART	NOTES	OE INTERCHANGE NUMBER	PART NUMBER	ORDER QTY
------	-------	-----------------------	-------------	-----------

16 (cont.)	Engine Code: 'L10' 6 Cyl, 10.0L / 611 CID, Bore 125.0mm / 4.921", Stroke 136.0mm / 5.354"; L10 Turbocharged and Turbocharged w/ Aftercooler.	16 (cont.)		
-----------------------	--	-----------------------	--	--

Bearings

Piston Pin Bushing	For Drilled Connecting Rods	3027105	223-3698	6
Camshaft Bearing	Diesel and Natural Gas	2878168	SH-1773	7
Camshaft Bearing Set	Diesel and Natural Gas	2878168	SH-1773S	1

Valve Train & Ancillary

Valve (Intake)	Models To 1991 And Including 1991, Valve Only, With Dual Spring, Single Spring For Industrial Applications (With "+" In Head)	3801356	211-2748	12
	Models 1991 And Newer, With Single Valve Springs, Valve Only	3800638	211-3347	12
Valve (Exhaust)	Models To 1991 And Including 1991, Valve Only, Order Locks Separately, 1.673" Head Diameter, 6.940" Length	3803995	211-2749	12
	Models 1991 And Newer, With Single Valve Springs, Stellite Face, Valve Only	3800639	211-3316	12
Valve Guide	Up To 1991 Models, Intake And Exhaust, With Dual Valve Springs, Tapered Top, Cannot Use Seal, Without Seal Relief, 2.934" Length	3033314	217-3332	24
	Intake And Exhaust, Machined For Seal, .3819" ID, .6504" OD, 2.633" Length, Diesel and Natural Gas	3328785	217-4082	24

Turbochargers

Turbocharger	L10	3803586	183 TC 24276 000	1
	LTA10	3803570	183 TC 25331 000	1
	LTA10	3525238 3803024	286 TC 15235 000	1
	L10	3803109	286 TC 16102 000	1
	LTA10	3801489	286 TC 24275 000	1

Crankshaft

Crankshaft	Short Snout 5 Bolt	3819989	247-5133	1
-------------------	--------------------	---------	-----------------	---

Cooling and Climatization

Thermostat, heavy duty	82° Celcius	146076 205566 3002742 301737	THD 1 82	1
-------------------------------	-------------	---------------------------------------	-----------------	---

17	Engine Code: 'M11' 6 Cyl, 10.8L / 661 CID, Bore 125.0mm / 4.921", Stroke 147.1mm / 5.790"; Turbocharged	17		
-----------	---	-----------	--	--

Cylinder Components

Cylinder Sleeve	Diesel and Natural Gas	3803703	226-4546	6
Ring Set		3803977	S41934	6
Sleeve O-Ring Kit	Diesel and Natural Gas	3047188	223-7200	6



PART	NOTES	OE INTERCHANGE NUMBER	PART NUMBER	ORDER QTY
------	-------	-----------------------	-------------	-----------

17 (cont.)	Engine Code: 'M11' 6 Cyl, 10.8L / 661 CID, Bore 125.0mm / 4.921", Stroke 147.1mm / 5.790"; Turbocharged			17 (cont.)
-----------------------	---	--	--	-----------------------

Engine Gaskets

Engine Cylinder Head Gasket Set	Standard Engines	4089478	HS54146-2	1
Engine Conversion Gasket Set	For STC And Celect Engines, Wide Block, Diesel and Natural Gas	4089998	CS54132	1
Engine Cylinder Head Gasket		4022500	54146	1
Engine Valve Cover Gasket Set	Early Models	3883220	VS50316	1
Engine Push Rod Cover Gasket Set	Late Model, Rocker Housing To Head, Diesel and Natural Gas	4070529	VS50422	1
Valve Stem Seal (Exhaust)	Diesel and Natural Gas, "Shorter" Exhaust Seal	3073510	B45928	12
Engine Oil Pan Gasket Set	Wide Block, Contains Oil Pan Gasket, Oil Filter Mounting Bolts(2), Diesel and Natural Gas	3401290	OS32219	1
Engine Timing Cover Gasket Set	Contains OE#s: Front Crank Seal Kit 3804744, Coolant Pump Drive Seal Kit 3803894, And Accessory Drive Kit 3804304	See Note	JV5017•	1
Engine Timing Cover Seal	Includes Oil Seal and Carrier, Diesel and Natural Gas	3804744	67622•	1
Rear Main Seal		3800968	67623	1

Miscellaneous Gaskets

Accessory Drive Seal	Water Pump Side, External Damper, Diesel and Natural Gas	3803894	67633•	1
Fuel Injection Auxiliary Valve O-ring		145504	72018	1
Injector Tube O-Ring		3007759	GS33571	6
Fuel Injection Nozzle O-Ring	Red, White And Blue, Contains OE#s: 3070136, 3070137, And 3070138	See Note	GS33538	6

Bearings

Connecting Rod Bearing (Pair)	Diesel and Natural Gas	3016760	CB-1382P	6
		3016761	CB-1382P-.25MM	
		3016762	CB-1382P-.50MM	
		3016763	CB-1382P-.75MM	
Main Bearing Set	Use In Number 4 Position Contains 4 Piece Thrust Washer Set, Diesel and Natural Gas	4025125	MS-1716P	1
		4025126	MS-1716P-.25MM	
		4025127	MS-1716P-.50MM	
		4025128	MS-1716P-.75MM	
	From Engine Serial Number 34853316, Tab Design On Lower Thrust Washer, Diesel and Natural Gas	4025120	MS-2318P	1
		4025121	MS-2318P-.25MM	
		4025122	MS-2318P-.50MM	
		4025123	MS-2318P-.75MM	
Thrust Washer Set	4 Per Package	3822062	TW-457S	1
	Contains OE#s: 4926019(2) And 49260172(2)	See Note	TW-703S	1



Sealing Products

PART	NOTES	OE INTERCHANGE NUMBER	PART NUMBER	ORDER QTY
------	-------	-----------------------	-------------	-----------

17 (cont.)	Engine Code: 'M11' 6 Cyl, 10.8L / 661 CID, Bore 125.0mm / 4.921", Stroke 147.1mm / 5.790"; Turbocharged			17 (cont.)
-----------------------------	---	--	--	-----------------------------

Bearings

Piston Pin Bushing	For Non-Drilled Connecting Rods, Diesel and Natural Gas	3896894	223-3699	6
Camshaft Bearing	Diesel and Natural Gas	2878168	SH-1773	7
Camshaft Bearing Set	Diesel and Natural Gas	2878168	SH-1773S	1

Valve Train & Ancillary

Valve (Intake)	Models 1991 And Newer, With Single Valve Springs, Valve Only	3800638	211-3347	12
Valve (Exhaust)	Models 1991 And Newer, With Single Valve Springs, Stellite Face, Valve Only	3800639	211-3316	12
Valve Guide	Up To 1991 Models, Intake And Exhaust, With Dual Valve Springs, Tapered Top, Cannot Use Seal, Without Seal Relief, 2.934" Length	3033314	217-3332	24
	Intake And Exhaust, Machined For Seal, .3819" ID, .6504" OD, 2.633" Length, Diesel and Natural Gas	3328785	217-4082	24

Turbochargers

Turbocharger	Truck And Bus	3590044 3800471	286 TC 21006 000	1
---------------------	---------------	--------------------	-------------------------	---

Crankshaft

Crankshaft		3073707	247-5183*	1
-------------------	--	---------	------------------	---

Cooling and Climatization

Thermostat, heavy duty	82° Celcius	146076 205566 3002742 301737	THD 1 82	1
-------------------------------	-------------	---------------------------------------	-----------------	---

18	Engine Code: 'H4, HR4, HRC' 4 Cyl, 7.3L / 448 CID, Bore 130.2mm / 5.125", Stroke 152.4mm / 6.000"; Naturally Aspirated			18
-----------	--	--	--	-----------

Engine Gaskets

Rear Main Seal	Viton, Wet Housing, With Starter Mounts At 90 Degrees Between #3 And #4 Quadrants	141744	46773	1
	Dry Housing, Teflon	3006737	48068	1

Bearings

Connecting Rod Bearing (Pair)		203670	CB-296P	4
		203671	CB-296P-10	
		203672	CB-296P-20	
		203673	CB-296P-30	
		203674	CB-296P-40	



PART	NOTES	OE INTERCHANGE NUMBER	PART NUMBER	ORDER QTY
------	-------	-----------------------	-------------	-----------

19	Engine Code: 'HR6, H-743, NH-220' 6 Cyl, 12.2L / 743 CID, Bore 130.2mm / 5.125", Stroke 152.4mm / 6.000"			19
-----------	--	--	--	-----------

Cylinder Components

Cylinder Sleeve Assembly	Piston With "GW" Skirt, Straight Pin Bosses And Solid Pin, Beaded, Press-Fit Sleeve With Crevice Seal	AR07383	226-1506	6
Cylinder Sleeve	Piston With "GW" Skirt, Straight Pin Bosses And Solid Pin Beaded, 5.832"/5.834" Upper Block Bore Engines, Older Engines May Require Machining To These Dimensions To Prevent Damage To The Crevice Seal During Installation	184400	226-4419	6
Piston		AR7510	224-1538	6
Ring Set	All Keystone Rings	AR12098	S41314	6
Sleeve O-Ring Kit	Contains OE#s: 215983, 181449, And 216879	See Note	223-7142	6

Engine Gaskets

Engine Conversion Gasket Set		3802075	CS3488K	1
Intake and Exhaust Manifolds Combination Gasket	Contains OE#s: Exhaust Manifold Gasket 3020943(6), Intake Manifold Gasket 3008591(3), And Crossover Gasket 3012972	See Note	MS12242X	1
Engine Oil Pan Gasket Set	Premium MP-15 Material, Contains Oil Pan Gasket, O-Ring, And Suction Flange	3099083	OS21996	1
	Standard Material, Contains Oil Pan Gasket, O-Ring, Suction Flange, And Seal Ring	3349820	OS32201	1
Engine Timing Cover Gasket Set	Contains OE#s: O-Ring 215705, Accessory Drive Seal 3004316, Front Crank Seal 3020186, Front Cover Gasket 4058949, And Front Crank Dust Seal 3076203	See Note	JV5075•	1
Engine Timing Cover Seal	Snub Nosed Crankshaft	3020183	48164	1
Rear Main Seal Set	Contains OE#s: Rear Crankshaft Oil Seal 3006737 And Rear Plate Gasket 3067616	See Note	JV1689	1
Rear Main Seal	Viton, Wet Housing, With Starter Mounts At 90 Degrees Between #3 And #4 Quadrants	141744	46773	1
	Dry Housing, Teflon	3006737	48068	1

Bearings

Connecting Rod Bearing (Pair)		203670	CB-296P	6
		203671	CB-296P-10	
		203672	CB-296P-20	
		203673	CB-296P-30	
		203674	CB-296P-40	
Main Bearing Set	Contains 4 Piece Thrust Washer Set, Contains Lockplates	3801260	MS-1687P	1
		3801261	MS-1687P-10	
		3801262	MS-1687P-20	
		3801263	MS-1687P-30	
Thrust Washer Set	4 Per Package	3067568	TW-369S	1
		Exclusive	TW-369S+10	
		Exclusive	TW-369S+5	
Piston Pin Bushing	Requires Boring, Tapered Bushing	187420	223-3545•	6



PART	NOTES	OE INTERCHANGE NUMBER	PART NUMBER	ORDER QTY
------	-------	-----------------------	-------------	-----------

19 (cont.)	Engine Code: 'HR6, H-743, NH-220' 6 Cyl, 12.2L / 743 CID, Bore 130.2mm / 5.125", Stroke 152.4mm / 6.000"			19 (cont.)
-----------------------------	--	--	--	-----------------------------

Bearings

Piston Pin Bushing		43067	223-3696	6
Camshaft Bearing Set	For Late Small Cam Engines, Four 5/32" Oil Holes, 2.000" Camshaft Bearing Journal Diameter	BM27253	SH-568S	1

Valve Train & Ancillary

Valve Guide		66890	217-3606	24
-------------	--	-------	----------	----

Filters

Spin-on oil filter		3313289	OC 282	1
Spin-on fuel filter		BM68669 BM78669 BM78672 CF105 D156172	KC 28	1

Crankshaft

Crankshaft		3029341	247-5068	1
------------	--	---------	----------	---

20	Engine Code: 'VT-1485' 12 Cyl, 24.4L / 1485 CID, Bore 130.2mm / 5.125", Stroke 152.4mm / 6.000"			20
-----------	---	--	--	-----------

Cylinder Components

Cylinder Sleeve Assembly	Piston With "GW" Skirt, Straight Pin Bosses And Solid Pin, Beaded, Press-Fit Sleeve With Crevice Seal	AR07383	226-1506	12
Cylinder Sleeve	Piston With "GW" Skirt, Straight Pin Bosses And Solid Pin Beaded, 5.832"/5.834" Upper Block Bore Engines, Older Engines May Require Machining To These Dimensions To Prevent Damage To The Crevice Seal During Installation	184400	226-4419	12
Piston		AR7510	224-1538	12
Ring Set	All Keystone Rings	AR12098	S41314	12
Sleeve O-Ring Kit	Contains OE#'s: 215983, 181449, And 216879	See Note	223-7142	12

Valve Train & Ancillary

Valve Guide		66890	217-3606	48
-------------	--	-------	----------	----

21	Engine Code: 'NH-495' 4 Cyl, 8.1L / 495 CID, Bore 130.2mm / 5.125", Stroke 152.4mm / 6.000"			21
-----------	---	--	--	-----------

Cylinder Components

Cylinder Sleeve Assembly	Piston With "GW" Skirt, Straight Pin Bosses And Solid Pin, Beaded, Press-Fit Sleeve With Crevice Seal	AR07383	226-1506	4
Cylinder Sleeve	Piston With "GW" Skirt, Straight Pin Bosses And Solid Pin Beaded, 5.832"/5.834" Upper Block Bore Engines, Older Engines May Require Machining To These Dimensions To Prevent Damage To The Crevice Seal During Installation	184400	226-4419	4



PART	NOTES	OE INTERCHANGE NUMBER	PART NUMBER	ORDER QTY
------	-------	-----------------------	-------------	-----------

21 (cont.)	Engine Code: 'NH-495' 4 Cyl, 8.1L / 495 CID, Bore 130.2mm / 5.125", Stroke 152.4mm / 6.000"	21 (cont.)		
-----------------------	---	-----------------------	--	--

Cylinder Components

Piston		AR7510	224-1538	4
Ring Set	All Keystone Rings	AR12098	S41314	4
Sleeve O-Ring Kit	Contains OE#s: 215983, 181449, And 216879	See Note	223-7142	4

Engine Gaskets

Engine Timing Cover Gasket Set	Contains OE#s: O-Ring 215705, Accessory Drive Seal 3004316, Front Crank Seal 3020186, Front Cover Gasket 4058949, And Front Crank Dust Seal 3076203	See Note	JV5075•	1
Rear Main Seal Set	Contains OE#s: Rear Crankshaft Oil Seal 3006737 And Rear Plate Gasket 3067616	See Note	JV1689	1
Rear Main Seal	Viton, Wet Housing, With Starter Mounts At 90 Degrees Between #3 And #4 Quadrants	141744	46773	1
	Dry Housing, Teflon	3006737	48068	1

Bearings

Connecting Rod Bearing (Pair)		203670	CB-296P	4
		203671	CB-296P-10	
		203672	CB-296P-20	
		203673	CB-296P-30	
		203674	CB-296P-40	
Main Bearing Set	For Engines Oiling Thru Block	3801270	MS-1531P	1
		3801271	MS-1531P-10	
		3801272	MS-1531P-20	
Thrust Washer Set	4 Per Package	3067568	TW-369S	1
		Exclusive	TW-369S+10	
		Exclusive	TW-369S+5	

Valve Train & Ancillary

Valve Guide		66890	217-3606	16
--------------------	--	-------	-----------------	----

22	Engine Code: 'ISX, QSX' 6 Cyl, 15.0L / 912 CID, Bore 137.2mm / 5.400", Stroke 169.0mm / 6.653"	22		
-----------	--	-----------	--	--

Cylinder Components

Cylinder Sleeve	Flat Top, Hardened, 1 O-Ring design, Small Diameter Sealing Area, Blocks With Casting # 4965677, Up To 01/01/10	4089153	226-4596	6
Ring Set	Keystone Top And Second Compression Ring	4089154	S42150	6
	Keystone Top Compression Ring	See Note	S42153	6
Piston Pin		4923748	223-1968	6
Lock Ring	2 Per Package	3064305	223-5540	6
Sleeve O-Ring Kit		3678738	223-7216	6



PART	NOTES	OE INTERCHANGE NUMBER	PART NUMBER	ORDER QTY
------	-------	-----------------------	-------------	-----------

22 (cont.)	Engine Code: 'ISX, QSX' 6 Cyl, 15.0L / 912 CID, Bore 137.2mm / 5.400", Stroke 169.0mm / 6.653"			22 (cont.)
-----------------------	--	--	--	-----------------------

Engine Gaskets

Engine Cylinder Head Gasket Set	Early Non EGR	4955595	HS54775-1	1
	Exhaust Gas Recirculation (EGR) Engines	4955596	HS54775-2	1
Engine Conversion Gasket Set	Early Non EGR	4955590	CS54775-1	1
		4955591	CS54775-2	1
Engine Cylinder Head Gasket		3685834	54775	1
Engine Valve Cover Gasket	Includes Noise Isolators, Early Design, 4026507 And 4026511(8)	See Note	VS0625	1
Valve Stem Seal (Intake)		4026660	B46021	12
Valve Stem Seal (Exhaust)		4026791	B46022	12
Engine Intake Manifold Gasket Set	Contains Intake Manifold Gasket OE#3678770, Turbo Air Bypass Seal OE#3682177	See Note	MS19750	1
Exhaust Manifold Gasket Set	For Horizontal and Mid Mounted Turbochargers, Contains Center Exhaust Manifold Gasket (1) End Exhaust Manifold Gaskets (4), Exhaust Manifold Seals (2)	3682710 3682940 3683940 4907447 4907448	MS19737	1
	Mid And Vertically Mounted Turbochargers, Contains Center Exhaust Manifold Gasket (1) End Exhaust Manifold Gaskets (4)	See Note	MS19740	1
Engine Oil Pan Gasket Set	Isolation Pan Gasket	4026684	OS32376	1
Engine Timing Cover Seal		4955383	67882	1
Rear Main Seal		4965569	67881	1

Miscellaneous Gaskets

Turbocharger Mounting Gasket Set		3684359	GS33617	1
EGR Valve Gasket	Inlet	3104229	G32485	1
		3104230	G32492	1
EGR Cooler Mounting Set	All Gaskets Required To Remove and Replace EGR Cooler	109080 212161 3049221 3066211 3101268 3102314 3104229 3104230 3678603 3678770 3678925 3680324 3682076 3682360 4010519 4952644	GS33613	1



PART	NOTES	OE INTERCHANGE NUMBER	PART NUMBER	ORDER QTY
------	-------	-----------------------	-------------	-----------

22 (cont.)	Engine Code: 'ISX, QSX' 6 Cyl, 15.0L / 912 CID, Bore 137.2mm / 5.400", Stroke 169.0mm / 6.653"			22 (cont.)
-----------------------	---	--	--	-----------------------

Miscellaneous Gaskets

Engine Camshaft Seal	Front	4985661	B32486	1
	Front	3679932	B32490	1
	Front	3679931	B32491	1
Engine Camshaft Housing Gasket	Rear	3679934	B32487	1
	Rear	4985660	B32488	1
	Front	3679930	B32489	1
Engine Oil Cooler Gasket Set		3104232	B32477	1
Fuel Injection Auxiliary Valve O-ring		3102109	72013	1
		3042544	72121	1
		70624	72327	1
		3678846	72621	1
Fuel Injection Nozzle O-Ring	Contains OE#'s: Lower 3347937, Upper Lower 3330538, Upper Mid 3330537, And Upper 3347939	See Note	GS33609	1

Bearings

Connecting Rod Bearing (Pair)	Machined Connecting Rod Only (Connecting Rod 4059429)	4089405	CB-1908P	6
		4090016	CB-1908P-.25MM	
		4090017	CB-1908P-.50MM	
Main Bearing Set		3800298	MS-2297P	1
		4089845	MS-2297P-.25MM	
		4089846	MS-2297P-.50MM	
Thrust Washer Set	4 Per Package	3680202	TW-691S	1
Camshaft Bearing	Left Bank, Injector Camshaft, 4 Required	36 805 80	SH-2136	4
	Left Bank, Injector Camshaft Bushing, 3 Required	36 805 81	SH-2137	3
	Right Bank, Valve Camshaft, 7 Required	3685690	SH-2138	7

Turbochargers

Turbocharger	Enforcer MF S4	4955306 4955306RX	286 TC 21001 000	1
		2881993 4955305	286 TC 21201 000	1
		4089754	286 TC 25444 000	1
Turbocharger Service Kit	For Turbocharger 286 TC 21201 000	See Note	286 TS 21201 000	1

Crankshaft

Crankshaft		4925762	247-5237	1
------------	--	---------	----------	---



PART	NOTES	OE INTERCHANGE NUMBER	PART NUMBER	ORDER QTY
------	-------	-----------------------	-------------	-----------

23	Engine Code: 'N14' 6 Cyl, 14.0L / 855 CID, Bore 139.7mm / 5.500", Stroke 152.4mm / 6.000"; Turbocharged-Aftercooled			23
-----------	---	--	--	-----------

Cylinder Components

Cylinder Sleeve Assembly	For .020"/.040" Version See 226-1908	3803759	226-1903	6
		3803759(20/40)	226-1908	6
	For .020"/.040" Version See 226-1912	3803755	226-1911	6
		3803755(20/40)	226-1912	6
	Steel Crown Articulated Piston, High Compression	3803742	226-2039	6
	Steel Crown Articulated Piston, Low Compression	3803740	226-2040	6
	Steel Crown Articulated Piston	3804636	226-2041	6
Cylinder Sleeve	Standard Sleeve, .355" Flange Thickness, 6.565" Flange Diameter, 6.297" Pilot, Identification Mark: None Below O-Ring Groove, Bare Sleeve OE# 3055099, OE# 3801826 Sleeve Assembly (Includes O-Rings)	See Note	226-4414	6
	.020" Oversized Upper Press Fit Sleeve, Flange Diameter Is .020" Larger, Flange Thickness Is .010" Greater Than Standard Sleeve, .365" Flange Thickness, 6.585" Flange Diameter, 6.297" Pilot, Identification Mark: Square Outer Diameter Groove Below O-Ring Grooves, Bare Sleeve OE# 304635, Sleeve Assembly (Includes O-Rings) OE# 3801387	3046325	226-4477	6
	.020"/.040" Oversize Lower Press Fit Sleeve, .375" Flange Thickness, 6.585" Flange Diameter, 6.337" Pilot, Identification Mark: Radius Outer Diameter Groove Below O-Ring Grooves, Bare Sleeve OE# 3065405, Sleeve Assembly (Includes O-Rings) OE# 3803219	3803219	226-4486	6
Cylinder Block Repair Bushing	Lower Bore Repair Sleeve, 6.255" OD, 1.750" Height, 6.095" ID	Exclusive	223-3601	6
	Counterbore Repair Sleeve, Semi-Finished Inner Diameter, Lower Press Fit, 6.755" OD, .751" Height, 6.545" Counterbore ID, Counterbore Depth .338", 6.273" Pilot ID	202227	223-8133	6
	Counterbore Repair Sleeve, Lower Press Fit, 6.755" OD, .751" Height	3822959	223-8147	6
Piston	Aluminum Piston	3803758	224-3284	6
	Aluminum Piston	3081268	224-3290	6
	Steel Crown Articulated Piston, High Compression, Includes Crown, Skirt, Pin And Locks, Contains Crown OE# 3087634 * Please check CPL numbers	3803741	224-3775	6
	Steel Crown Articulated Piston, Low Compression, Includes Crown, Skirt, Pin And Locks, Contains Crown OE# 3087635 * Please check CPL numbers	3803739	224-3776	6
	Steel Crown Articulated Piston, Includes Crown, Skirt, Pin And Locks, Contains Crown OE# 3865113 * Please check CPL numbers	3804630	224-3777	6
Piston Crown	Steel Crown Articulated Piston, High Compression	3087634	224-3771X	6
	Steel Crown Articulated Piston, Low Compression	3087635	224-3772X	6



PART	NOTES	OE INTERCHANGE NUMBER	PART NUMBER	ORDER QTY
------	-------	-----------------------	-------------	-----------

23 (cont.)	Engine Code: 'N14' 6 Cyl, 14.0L / 855 CID, Bore 139.7mm / 5.500", Stroke 152.4mm / 6.000"; Turbocharged-Aftercooled	23 (cont.)		
-----------------------	---	-----------------------	--	--

Cylinder Components

Piston Crown	Steel Crown Articulated Piston	3865113	224-3773X	6
Piston Skirt		Exclusive	224-3774X	6
Ring Set	3 Ring Premium Plus, For Formula And Highly Loaded Pre-Big CAM IV Engines Operated Mainly At 1800 RPM Or Higher Speeds, Or Those Equipped With Compression Brakes	4089489	S41887•	6
Piston Pin		3064304	223-1960	6
Lock Ring	2 Per Package	3064305	223-5540	6
Sleeve O-Ring Kit		3032874	223-7077•	6
Sealing Shim	.0205" Thick, For Use With 226-4486, 6 Per Package	3065406	223-8012	1

Engine Gaskets

Engine Cylinder Head Gasket Set	Complete Head Set, Celect	4089371	HS54123	1
	Single Cylinder Head Set, Celect, With External Oil Manifolds	4089369	HS54123-1	3
	Single Cylinder Head Set, Celect	4089370	HS54123-2	3
	Single Cylinder Head Set, Celect, Celect Plus	4089372	HS54123-4	3
	Complete Head Set, For Non FFC	4024955	HS54123-5	1
	Complete Head Set, Contains 54123 Head Gaskets, For STC and G855 Engines	4089368	HS5858AH	1
Engine Conversion Gasket Set	Small Shaft Accessory Drive	4025069	CS54123-1	1
	Large Shaft Accessory Drive	4025068	CS54123-2	1
In-frame Overhaul Set	Head Gasket Set 4089372 And Oil Pan Gasket 3349820, Injector O-Rings Included	See Note	EK3539	1
Engine Cylinder Head Gasket	Rubber Edged Molded Head Gasket	4058790	54123	3
Engine Valve Cover Gasket		4058981	VS50320	3
		3066311	VS50321	3
Engine Valve Stem Seal Set	Intake And Exhaust	3064281	B45894	24
Intake and Exhaust Manifolds Combination Gasket	Contains OE#'s: Exhaust Manifold Gasket 3020943(6), Intake Manifold Gasket 3008591(3), And Crossover Gasket 3012972	See Note	MS12242X	1
Engine Oil Pan Gasket Set	Premium MP-15 Material, Contains Oil Pan Gasket, O-Ring, And Suction Flange	3099083	OS21996	1
	Standard Material, Contains Oil Pan Gasket, O-Ring, Suction Flange, And Seal Ring	3349820	OS32201	1
Engine Timing Cover Seal	Snub Nosed Crankshaft	3020183	48164	1
Rear Main Seal Set	Contains OE#'s: Rear Crankshaft Oil Seal 3006737 And Rear Plate Gasket 3067616	See Note	JV1689	1
Rear Main Seal	Viton, Wet Housing, With Starter Mounts At 90 Degrees Between #3 And #4 Quadrants	141744	46773	1



PART	NOTES	OE INTERCHANGE NUMBER	PART NUMBER	ORDER QTY
------	-------	-----------------------	-------------	-----------

23 (cont.)	Engine Code: 'N14' 6 Cyl, 14.0L / 855 CID, Bore 139.7mm / 5.500", Stroke 152.4mm / 6.000"; Turbocharged-Aftercooled			23 (cont.)
-----------------------	---	--	--	-----------------------

Miscellaneous Gaskets

Jacobs Brake Gasket Set		4920093	VS50579	3
Accessory Drive Seal		3803720	67658	1
Turbocharger Gasket		3069177	GS30376	1
Fuel Injection Nozzle O-Ring	Red, White And Blue, Contains OE#'s: 3070136, 3070137, And 3070138	See Note	GS33538	6

Bearings

Connecting Rod Bearing (Pair)		3055145	CB-1616P	6
		3055146	CB-1616P-10	
		3055147	CB-1616P-20	
Main Bearing Set	Contains 4 Piece Thrust Washer Set, Contains Lockplates	3801260	MS-1687P	1
		3801261	MS-1687P-10	
		3801262	MS-1687P-20	
		3801263	MS-1687P-30	
Thrust Washer Set	4 Per Package	3067568	TW-369S	1
		Exclusive	TW-369S+10	
		Exclusive	TW-369S+5	
Piston Pin Bushing		3064295	223-3701	6
Camshaft Bearing Set	For Late Big Cam Engines, 2.500" Camshaft Bearing Journal Diameter	3801106	SH-1529S	1

Valve Train & Ancillary

Valve (Intake)	Valve Only, Bare Valve OE# 3068519	3803360	211-4283•	12
	Valve Only, Bare Valve OE# 3084045	3803854	211-4284•	12
Valve (Exhaust)	Valve Only, Bare Valve OE# 3166410	3800891	211-4282	12
	Valve Only, Bare Valve OE# 3078399	3803770	211-4285	12
	Valve Only, Bare Valve OE# 3069672	3803726	211-4286	12
Valve Guide		3064312	217-4092	24

Turbochargers

Turbocharger	NTA14	3803583 3804800	286 TC 24555 000	1
	N14, Truck	3803584 3804801	286 TC 24556 000	1
		3803553	286 TC 24557 000	1

Crankshaft

Crankshaft		3064291	247-5178	1
------------	--	---------	----------	---



PART	NOTES	OE INTERCHANGE NUMBER	PART NUMBER	ORDER QTY
------	-------	-----------------------	-------------	-----------

24	Engine Code: 'NT-855-Natural Gas' 6 Cyl, 14.0L / 855 CID, Bore 139.7mm / 5.500", Stroke 152.4mm / 6.000"; Turbocharged			24
-----------	--	--	--	-----------

Cylinder Components

Cylinder Sleeve Assembly	Includes Piston 166630 And Liner 3055099, Requires Piston Coolers, 12.0:0 CR Natural Gas	See Note	226-1863	6
Cylinder Sleeve	Standard Sleeve, .355" Flange Thickness, 6.565" Flange Diameter, 6.297" Pilot, Identification Mark: None Below O-Ring Groove, Bare Sleeve OE# 3055099, OE# 3801826 Sleeve Assembly (Includes O-Rings)	See Note	226-4414	6
	.020" Oversized Upper Press Fit Sleeve, Flange Diameter Is .020" Larger, Flange Thickness Is .010" Greater Than Standard Sleeve, .365" Flange Thickness, 6.585" Flange Diameter, 6.297" Pilot, Identification Mark: Square Outer Diameter Groove Below O-Ring Grooves, Bare Sleeve OE# 304635, Sleeve Assembly (Includes O-Rings) OE# 3801387	3046325	226-4477	6
	.020"/.040" Oversize Lower Press Fit Sleeve, .375" Flange Thickness, 6.585" Flange Diameter, 6.337" Pilot, Identification Mark: Radius Outer Diameter Groove Below O-Ring Grooves, Bare Sleeve OE# 3065405, Sleeve Assembly (Includes O-Rings) OE# 3803219	3803219	226-4486	6
Cylinder Block Repair Bushing	Lower Bore Repair Sleeve, 6.255" OD, 1.750" Height, 6.095" ID	Exclusive	223-3601	6
	Counterbore Repair Sleeve, Semi-Finished Inner Diameter, Lower Press Fit, 6.755" OD, .751" Height, 6.545" Counterbore ID, Counterbore Depth .338", 6.273" Pilot ID	202227	223-8133	6
	Counterbore Repair Sleeve, Lower Press Fit, 6.755" OD, .751" Height	3822959	223-8147	6
Piston		AR3560	224-3269	6
Ring Set	3 Ring Premium Plus, For Formula And Highly Loaded Pre-Big CAM IV Engines Operated Mainly At 1800 RPM Or Higher Speeds, Or Those Equipped With Compression Brakes	4089489	S41887•	6
Sleeve O-Ring Kit		3032874	223-7077•	6

Engine Gaskets

Engine Cylinder Head Gasket Set	Complete Head Set, Contains 54123 Head Gaskets, For STC and G855 Engines	4089368	HS5858AH	1
Engine Valve Cover Gasket		4058981	VS50320	3
		3066311	VS50321	3
Engine Timing Cover Seal	Crankshaft, Early Models, Tapered Nose	3010457	47543	1
Rear Main Seal	Dry Housing, Teflon	3006737	48068	1

Miscellaneous Gaskets

Engine Coolant Thermostat Seal		186780	GS27706	1
---------------------------------------	--	--------	----------------	---

Bearings

Connecting Rod Bearing (Pair)	3.3160"/3.3165" Connecting Rod Housing Bore, Big Cam Connecting Rod Bearings	214950	CB-1226P	6
		214951	CB-1226P-10	



PART	NOTES	OE INTERCHANGE NUMBER	PART NUMBER	ORDER QTY
------	-------	-----------------------	-------------	-----------

24 (cont.)	Engine Code: 'NT-855-Natural Gas' 6 Cyl, 14.0L / 855 CID, Bore 139.7mm / 5.500", Stroke 152.4mm / 6.000"; Turbocharged			24 (cont.)
-----------------------------	--	--	--	-----------------------------

Bearings

Connecting Rod Bearing (Pair)		214952	CB-1226P-20	6
		214953	CB-1226P-30	
		214954	CB-1226P-40	
	3.2725"/3.2730" Connecting Rod Housing Bore, Small Cam Connecting Rod Bearings	203660	CB-625P	
		203661	CB-625P-10	
		203662	CB-625P-20	
203663		CB-625P-30		
Main Bearing Set	Contains 4 Piece Thrust Washer Set, Contains Lockplates	3801260	MS-1687P	1
		3801261	MS-1687P-10	
		3801262	MS-1687P-20	
		3801263	MS-1687P-30	
Thrust Washer Set	4 Per Package	3067568	TW-369S	1
		Exclusive	TW-369S+10	
		Exclusive	TW-369S+5	
Piston Pin Bushing	Requires Boring, Tapered Bushing	187420	223-3545•	6
Camshaft Bearing Set	For Late Big Cam Engines, 2.500" Camshaft Bearing Journal Diameter	3801106	SH-1529S	1
	For Late Small Cam Engines, Four 5/32" Oil Holes, 2.000" Camshaft Bearing Journal Diameter	BM27253	SH-568S	1

Valve Train & Ancillary

Valve Guide	Do Not Use Component In New Big Cam IV Or 88NT Engines	3006456	217-3916	24
--------------------	--	---------	-----------------	----

Camshaft & Timing Components

Camshaft	19.050MM/0.750" Inch Key	3801030	229-2451•	1
-----------------	--------------------------	---------	------------------	---

Crankshaft

Crankshaft	Bull Nose	3608833	247-5001	1
	Tapered Nose	3029340	247-5049	1

25	Engine Code: 'V-903' 8 Cyl, 14.8L / 903 CID, Bore 139.7mm / 5.500", Stroke 120.7mm / 4.750"; Ford Tractor			25
-----------	---	--	--	-----------

Cylinder Components

Cylinder Sleeve Assembly	Beaded, Part Number 224-2091 Uses The 0.700" Inner Diameter Piston Pin And Must Not Be Used With 1.00" Inner Diameter Pins, Piston With , Press-Fit Sleeve With Crevice Seal, Tapered Pin Bosses	AR11909	226-1571	8
Cylinder Sleeve	Beaded, Press-Fit Sleeve With Crevice Seal	AR8069	226-4456	8
Piston	Piston With , Tapered Pin Bosses, 15.5:1 CR	3019287	224-2091	8
Ring Set	3 Ring Piston, Chrome Ductile Iron	4089793	S41885	8
Sleeve O-Ring Kit	Contains OE#'s: 3032874(2) And 215090	See Note	223-7158	8



PART	NOTES	OE INTERCHANGE NUMBER	PART NUMBER	ORDER QTY
------	-------	-----------------------	-------------	-----------

25 (cont.)	Engine Code: 'V-903' 8 Cyl, 14.8L / 903 CID, Bore 139.7mm / 5.500", Stroke 120.7mm / 4.750"; Ford Tractor			25 (cont.)
-----------------------	---	--	--	-----------------------

Engine Gaskets

Engine Cylinder Head Gasket		212224	3934•	2
Engine Valve Stem Seal Set	4 Per Package, Intake And Exhaust	156641	B45977	16
Engine Oil Pan Gasket Set		196949	OS21794	1

Miscellaneous Gaskets

Injector Tube O-Ring		3007759	GS33571	8
Fuel Injection Nozzle O-Ring		193736	GS33337	1

Bearings

Connecting Rod Bearing (Pair)		189770	CB-1073P	8
		189771	CB-1073P-10	
		189772	CB-1073P-20	
Main Bearing Set	Contains 4 Piece Thrust Washer Set, Contains Dowel Pins	AR03640	MS-1265P	1
		AR03641	MS-1265P-10	
		AR03642	MS-1265P-20	
		AR03643	MS-1265P-30	
Thrust Washer Set	4 Per Package	159960	TW-449S	1
Camshaft Bearing Set	Includes OE#s: 200790(3) And 200780(2)	See Note	SH-1382S	1

Valve Train & Ancillary

Valve Guide		138937	217-3210	32
Valve Seat Insert (Intake And Exhaust)		3017759	218-3732	32
		3032287	218-3732.010	

Filters

Spin-on oil filter		3313289	OC 282	1
Spin-on fuel filter		BM68669 BM78669 BM78672 CF105 D156172	KC 28	1

26	Engine Code: 'V-1710' 12 Cyl, 28.0L / 1710 CID, Bore 139.7mm / 5.500", Stroke 152.4mm / 6.000"			26
-----------	--	--	--	-----------

Cylinder Components

Cylinder Sleeve	Standard Sleeve, .355" Flange Thickness, 6.565" Flange Diameter, 6.297" Pilot, Identification Mark: None Below O-Ring Groove, Bare Sleeve OE# 3055099, OE# 3801826 Sleeve Assembly (Includes O-Rings)	See Note	226-4414	12
Cylinder Block Repair Bushing	Lower Bore Repair Sleeve, 6.255" OD, 1.750" Height, 6.095" ID	Exclusive	223-3601	12



PART	NOTES	OE INTERCHANGE NUMBER	PART NUMBER	ORDER QTY
------	-------	-----------------------	-------------	-----------

26 (cont.)	Engine Code: 'V-1710' 12 Cyl, 28.0L / 1710 CID, Bore 139.7mm / 5.500", Stroke 152.4mm / 6.000"			26 (cont.)
-----------------------------	--	--	--	-----------------------------

Cylinder Components

Sleeve O-Ring Kit		3032874	223-7077•	12
-------------------	--	---------	-----------	----

Bearings

Connecting Rod Bearing (Pair)		200600	CB-965P	12
		200601	CB-965P-10	
		200602	CB-965P-20	

Valve Train & Ancillary

Valve (Intake & Exhaust)	1.870" Head Diameter, High Nickel Content Valve, Late Style, Letter "N" In Head, Order Locks Separately, Valve Only	3040830	211-2689	24
Valve Guide	Do Not Use Component In New Big Cam IV Or 88NT Engines	3006456	217-3916	24

Filters

Spin-on oil filter		3313289	OC 282	1
--------------------	--	---------	--------	---

Turbochargers

Turbocharger		3529032 3803108	183 TC 24563 000	1
--------------	--	--------------------	------------------	---

27	Engine Code: 'NT-855 ' 6 Cyl, 14.0L / 855 CID, Bore 139.7mm / 5.500", Stroke 152.4mm / 6.000"; Turbocharged-Aftercooled			27
-----------	---	--	--	-----------

Cylinder Components

Cylinder Sleeve Assembly	Premium Sleeve Assembly, Standard Sleeve	3801872	226-1646	6
	Premium Plus Sleeve Assembly, Standard Sleeve	3801796	226-1703	6
	Premium Plus Sleeve Assembly, Standard Sleeve	3801771	226-1745	6
	Premium Plus Sleeve Assembly, Standard Sleeve	3801782	226-1746	6
	Premium Sleeve Assembly, Standard Sleeve	3801795	226-1747	6
	Premium Plus Sleeve Assembly, Standard Sleeve	3801765	226-1748	6
	Premium Plus Sleeve Assembly, Standard Sleeve	3801768	226-1749	6
	Premium Plus Sleeve Assembly, Standard Sleeve	3801777	226-1750	6
	Premium Plus Sleeve Assembly, Standard Sleeve	3801775	226-1760	6
	Premium Sleeve Assembly, Standard Sleeve	3801764	226-1769	6
	Premium Sleeve Assembly, Standard Sleeve	3801774	226-1770	6
	Premium Sleeve Assembly, Standard Sleeve	3801776	226-1771	6
	Premium Sleeve Assembly, Standard Sleeve	3801779	226-1772	6
	Premium Sleeve Assembly, Standard Sleeve	3801780	226-1773	6
	Premium Sleeve Assembly, Standard Sleeve	3801781	226-1774	6
	Premium Plus Sleeve Assembly, Standard Sleeve	3801873	226-1775	6
	.020"/.040" Oversize Lower Press Fit Sleeve, Premium Plus Sleeve Assembly	3803213	226-1792	6



PART	NOTES	OE INTERCHANGE NUMBER	PART NUMBER	ORDER QTY
------	-------	-----------------------	-------------	-----------

27 (cont.)	Engine Code: 'NT-855 ' 6 Cyl, 14.0L / 855 CID, Bore 139.7mm / 5.500", Stroke 152.4mm / 6.000"; Turbocharged-Aftercooled	27 (cont.)
-----------------------	---	-----------------------

Cylinder Components

Cylinder Sleeve Assembly	.020"/.040" Oversize Lower Press Fit Sleeve, Premium Plus Sleeve Assembly	3803214	226-1793	6
	.020"/.040" Oversize Lower Press Fit Sleeve, Premium Plus Sleeve Assembly	3803212	226-1794	6
	.020"/.040" Oversize Lower Press Fit Sleeve, Premium Plus Sleeve Assembly	3803211	226-1796	6
	Dual Ni-Resist Piston Sleeve Assembly, Standard Sleeve	3803346	226-1821	6
	.020"/.040" Oversize Lower Press Fit Sleeve, Dual Ni-Resist Piston Sleeve Assembly	3803219	226-1822	6
	Dual Ni-Resist Piston Sleeve Assembly, Standard Sleeve	3801817	226-1831	6
	.020"/.040" Oversize Lower Press Fit Sleeve, Dual Ni-Resist Piston Sleeve Assembly	3803216	226-1832	6
	Dual Ni-Resist Piston Sleeve Assembly, Standard Sleeve	3801824	226-1833	6
	.020"/.040" Oversize Lower Press Fit Sleeve, Dual Ni-Resist Piston Sleeve Assembly	3803215	226-1834	6
	Dual Ni-Resist Piston Sleeve Assembly, Standard Sleeve	3801823	226-1835	6
	.020"/.040" Oversize Lower Press Fit Sleeve, Dual Ni-Resist Piston Sleeve Assembly	3803217	226-1836	6
	Dual Ni-Resist Piston Sleeve Assembly, Standard Sleeve	3801822	226-1837	6
	Dual Ni-Resist Piston Sleeve Assembly, Standard Sleeve	3801746	226-1839	6
	.020"/.040" Oversize Lower Press Fit Sleeve, Dual Ni-Resist Piston Sleeve Assembly	3803209	226-1840	6
	Dual Ni-Resist Piston Sleeve Assembly, For 0.020"/0.040" Version See 226-1842, Standard Sleeve	3801956	226-1841	6
	.020"/.040" Oversize Lower Press Fit Sleeve, Dual Ni-Resist Piston Sleeve Assembly, Piston OE# 3052794, Sleeve OE# 3065405, Ring OE# 4089811	See Note	226-1842	6
	.020"/.040" Oversize Lower Press Fit Sleeve	3801956	226-1847	6
	.020"/.040" Oversize Lower Press Fit Sleeve	3803221	226-1848	6
	.020"/.040" Oversize Lower Press Fit Sleeve, Premium Plus Sleeve Assembly	3803209	226-1857	6
	.020"/.040" Oversize Lower Press Fit Sleeve	3801780	226-1860	6
.020"/.040" Oversize Lower Press Fit Sleeve, Contains OE# 3801535 Piston and 3803219 Liner with O-Rings	See Note	226-1862	6	
.020"/.040" Oversize Lower Press Fit Sleeve, Premium Plus Sleeve Assembly	3803210	226-1873	6	
.020"/.040" Oversize Lower Press Fit Sleeve	3803228	226-1874	6	
Premium Plus Sleeve Assembly, Standard Sleeve	3801797	226-1880	6	
.020"/.040" Oversize Lower Press Fit Sleeve, Contains OE# 3801876 Piston and 3803219 Liner with O-Rings	See Note	226-1883	6	
.020"/.040" Oversize Lower Press Fit Sleeve	3801779	226-1884	6	
3 Ring Piston Single NI Upgraded Rings, C3 Premium Plus Sleeve Assembly, Standard Sleeve	3804444	226-1905	6	

PART	NOTES	OE INTERCHANGE NUMBER	PART NUMBER	ORDER QTY
------	-------	-----------------------	-------------	-----------

27 (cont.)	Engine Code: 'NT-855 ' 6 Cyl, 14.0L / 855 CID, Bore 139.7mm / 5.500", Stroke 152.4mm / 6.000"; Turbocharged-Aftercooled			27 (cont.)
-----------------------	---	--	--	-----------------------

Cylinder Components (cont.)

Cylinder Sleeve Assembly	.020"/.040" Oversize Lower Press Fit Sleeve, 3 Ring Piston Upgraded Rings, C3 Premium Plus Sleeve Assembly	3804474	226-1907	6
Cylinder Sleeve	Standard Sleeve, .355" Flange Thickness, 6.565" Flange Diameter, 6.297" Pilot, Identification Mark: None Below O-Ring Groove, Bare Sleeve OE# 3055099, OE# 3801826 Sleeve Assembly (Includes O-Rings)	See Note	226-4414	6
	.020" Oversized Upper Press Fit Sleeve, Flange Diameter Is .020" Larger, Flange Thickness Is .010" Greater Than Standard Sleeve, .365" Flange Thickness, 6.585" Flange Diameter, 6.297" Pilot, Identification Mark: Square Outer Diameter Groove Below O-Ring Grooves, Bare Sleeve OE# 304635, Sleeve Assembly (Includes O-Rings) OE# 3801387	3046325	226-4477	6
	.020"/.040" Oversize Lower Press Fit Sleeve, .375" Flange Thickness, 6.585" Flange Diameter, 6.337" Pilot, Identification Mark: Radius Outer Diameter Groove Below O-Ring Grooves, Bare Sleeve OE# 3065405, Sleeve Assembly (Includes O-Rings) OE# 3803219	3803219	226-4486	6
Cylinder Block Repair Bushing	Lower Bore Repair Sleeve, 6.255" OD, 1.750" Height, 6.095" ID	Exclusive	223-3601	6
	Counterbore Repair Sleeve, Semi-Finished Inner Diameter, Lower Press Fit, 6.755" OD, .751" Height, 6.545" Counterbore ID, Counterbore Depth .338", 6.273" Pilot ID	202227	223-8133	6
	Counterbore Repair Sleeve, Lower Press Fit, 6.755" OD, .751" Height	3822959	223-8147	6
Piston		3017349	224-2144	6
		3028685	224-2197	6
		3801535	224-2262	6
		3804414	224-2339	6
		3801876	224-2340	6
		3801766	224-2341	6
		3801703	224-2342	6
		3801393	224-2343	6
		3801773	224-2344	6
		3803344	224-2743	6
		3801954	224-2818	6
		3801534	224-2819	6
		3801820	224-2820	6
		3801819	224-2821	6
		3801818	224-2822	6
	3801744	224-2823	6	



PART	NOTES	OE INTERCHANGE NUMBER	PART NUMBER	ORDER QTY
------	-------	-----------------------	-------------	-----------

27 (cont.)	Engine Code: 'NT-855 ' 6 Cyl, 14.0L / 855 CID, Bore 139.7mm / 5.500", Stroke 152.4mm / 6.000"; Turbocharged-Aftercooled			27 (cont.)
-----------------------	---	--	--	-----------------------

Cylinder Components (cont.)

Piston	.984" Bowl, Standard Engines	3917707	224-3012	6
		3801533	224-3249	6
	Aluminum Piston	3803758	224-3284	6
		3804414	224-3289	6
	Aluminum Piston	3081268	224-3290	6
Ring Set	3 Ring Premium Plus, For Formula And Highly Loaded Pre-Big CAM IV Engines Operated Mainly At 1800 RPM Or Higher Speeds, Or Those Equipped With Compression Brakes	4089489	S41887•	6
	4 Ring Premium, For Engines Primarily Operated At Higher Speeds (2100 RPM), Seldom Highly Loaded At Lower Speeds, Steel Oil Ring	4089810	S41888	6
	4 Ring Premium Plus, For Formula And Highly Loaded Pre-Big CAM IV Engines Operated Mainly At 1800 RPM Or Higher Speeds, Or Those Equipped With Compression Brakes, Steel Oil Ring	4089811	S41889	6
Sleeve O-Ring Kit		3032874	223-7077•	6
Sealing Shim	.0205" Thick, For Use With 226-4486, 6 Per Package	3065406	223-8012	1
	.0200" Thick, For Use With 226-4414, 6 Per Package	3054948	223-8014	1

Engine Gaskets

Engine Cylinder Head Gasket Set	Single Cylinder Head Set, Contains 54224 Head Gaskets, For Non FFC	4024957	HS5858-1	3
	Single Cylinder Head Set, Contains 54123 Head Gaskets, Small Cam, Big Cam I, II, III	4024958	HS5858-15	3
	Complete Head Set, Contains 54123 Head Gaskets, For, Big Cam IV, NTC-400 And Below With Fixed Timing	4024920	HS5858-16	1
	Complete Head Set, Contains 54224 Head Gaskets, For, Small Cam, Big Cam I, II, III	3804276	HS5858-3	1
	Similar To HS5858-3 With N14 Celastic Head Gasket	4024945 4024946	HS5858-4	1
	Complete Head Set	4024918	HS5858A	1
	Complete Head Set, Contains 54123 Head Gaskets, For STC and G855 Engines	4089368	HS5858AH	1
	Complete Head Set, Contains 54123 Head Gaskets, For, STC/MVT Big Cam IV	4024919	HS5858B	1
Engine Conversion Gasket Set		3014459	CS5858-13	1
		3801464	CS5858-2	1
	88 BCIV	3803041	CS5858-3	1
	NTC 270-290-300-350-400 Big Cam I and II Engines	3801468	CS5858-4	1
	NTC 270-300-350-400 Big Cam III Engine	3801235	CS5858-5	1
	NTC 270-300-350-400 Big Cam IV Standard	3801454	CS5858-6	1
		3801339 3801463	CS5858-7	1

PART	NOTES	OE INTERCHANGE NUMBER	PART NUMBER	ORDER QTY
------	-------	-----------------------	-------------	-----------

27 (cont.)	Engine Code: 'NT-855 ' 6 Cyl, 14.0L / 855 CID, Bore 139.7mm / 5.500", Stroke 152.4mm / 6.000"; Turbocharged-Aftercooled			27 (cont.)
-----------------------------	---	--	--	-----------------------------

Engine Gaskets

Engine Conversion Gasket Set	Liner O-Rings Not Included	3801470	CS5858-9•	1
In-frame Overhaul Set	For, Small Cam, Big Cam I, II, III, Head Gasket Set 3804276 And Oil Pan Gasket 3099083	See Note	EK3518-1	1
	Head Gasket Set 3804276 with Head Gasket 4058790 And Oil Pan Gasket 3099083, Contains 54123 Head Gaskets	See Note	EK3518-2	1
	Contains OE#'s: Head Gasket Set 3801332 And Pan Gasket 3804303	See Note	EK3520-1	1
	Contains OE#'s: Head Gasket Set 3801754 And Pan Gasket 3804303	See Note	EK3522VR	1
	Contains OE#'s: Head Gasket Set 3803040 And Pan Gasket 3804303	See Note	EK3523VR	1
Engine Cylinder Head Gasket	Rubber Edged Molded Head Gasket	4058790	54123	3
	Old 855 Style Head Gasket, Not To Be Used On N14 Applications	3074982	54224	3
Engine Valve Cover Gasket Set	Rocker Housing To Head	3017750	VS28794	1
	Late Design, Tuff-Cork, Valve Cover To Rocker Housing	3054841	VS38793TC	1
	Big Cam IV	3058532	VS50424	1
Engine Valve Cover Gasket		4058981	VS50320	3
		3066311	VS50321	3
Engine Push Rod Cover Gasket Set	Big Cam IV	3049187	VS50420	1
Engine Valve Stem Seal Set	4 Per Package, Intake And Exhaust	156641	B45977	12
Intake and Exhaust Manifolds Combination Gasket	Contains OE#'s: Exhaust Manifold Gasket 3020943(6), Intake Manifold Gasket 3008591(3), And Crossover Gasket 3012972	See Note	MS12242X	1
Engine Oil Pan Gasket Set	Premium MP-15 Material, Contains Oil Pan Gasket, O-Ring, And Suction Flange	3099083	OS21996	1
	Standard Material, Contains Oil Pan Gasket, O-Ring, Suction Flange, And Seal Ring	3349820	OS32201	1
Engine Timing Cover Seal	Crankshaft, Early Models, Tapered Nose	3010457	47543	1
	Snub Nosed Crankshaft	3020183	48164	1
Rear Main Seal Set	Contains OE#'s: Rear Crankshaft Oil Seal 3006737 And Rear Plate Gasket 3067616	See Note	JV1689	1
Rear Main Seal	Viton, Wet Housing, With Starter Mounts At 90 Degrees Between #3 And #4 Quadrants	141744	46773	1
	Dry Housing, Teflon	3006737	48068	1

Miscellaneous Gaskets

Engine Coolant Thermostat Seal		186780	GS27706	1
Accessory Drive Seal	NH/NT Camshaft Seal	3004316	47542	1



PART	NOTES	OE INTERCHANGE NUMBER	PART NUMBER	ORDER QTY
------	-------	-----------------------	-------------	-----------

27 (cont.)	Engine Code: 'NT-855 ' 6 Cyl, 14.0L / 855 CID, Bore 139.7mm / 5.500", Stroke 152.4mm / 6.000"; Turbocharged-Aftercooled	27 (cont.)
-----------------------	---	-----------------------

Miscellaneous Gaskets

Turbocharger Gasket		3069177	GS30376	1
Fuel Injection Auxiliary Valve O-ring	Thermostat Seal, Gasket Material: Victo-Tech	43463A	72222	1
Injector Tube O-Ring		3007759	GS33571	6

Bearings

Connecting Rod Bearing (Pair)	3.3160"/3.3165" Connecting Rod Housing Bore, Big Cam Connecting Rod Bearings	214950	CB-1226P	6
		214951	CB-1226P-10	
		214952	CB-1226P-20	
		214953	CB-1226P-30	
		214954	CB-1226P-40	
	3.2725"/3.2730" Connecting Rod Housing Bore, Small Cam Connecting Rod Bearings	203660	CB-625P	6
		203661	CB-625P-10	
		203662	CB-625P-20	
		203663	CB-625P-30	
Main Bearing Set	Contains 4 Piece Thrust Washer Set, Contains Lockplates	3801260	MS-1687P	1
		3801261	MS-1687P-10	
		3801262	MS-1687P-20	
		3801263	MS-1687P-30	
Thrust Washer Set	4 Per Package	3067568	TW-369S	1
		Exclusive	TW-369S+10	
		Exclusive	TW-369S+5	
Piston Pin Bushing	Requires Boring, Tapered Bushing	187420	223-3545•	6
Camshaft Bearing Set	For Late Big Cam Engines, 2.500" Camshaft Bearing Journal Diameter	3801106	SH-1529S	1
	For Late Small Cam Engines, Four 5/32" Oil Holes, 2.000" Camshaft Bearing Journal Diameter	BM27253	SH-568S	1

Valve Train & Ancillary

Valve (Exhaust)	1.870" Head Diameter, Order Locks Separately, Stellite Face, Valve Only, With Letter "S" Or "J" In Head	145701	211-1945	12
Valve (Intake & Exhaust)	1.870" Head Diameter, High Nickel Content Valve, Late Style, Letter "N" In Head, Order Locks Separately, Valve Only	3040830	211-2689	24
Valve Guide	Do Not Use Component In New Big Cam IV Or 88NT Engines	3006456	217-3916	24
Valve Seat Insert (Intake And Exhaust)		3017759	218-3732	24
		3032287	218-3732.010	
Oil Pump	Small Cam And Big Cam I	3609837	601-8035	1

Filters

Spin-on oil filter		3313289	OC 282	1
---------------------------	--	---------	---------------	---



PART	NOTES	OE INTERCHANGE NUMBER	PART NUMBER	ORDER QTY
------	-------	-----------------------	-------------	-----------

27 (cont.)	Engine Code: 'NT-855 ' 6 Cyl, 14.0L / 855 CID, Bore 139.7mm / 5.500", Stroke 152.4mm / 6.000"; Turbocharged-Aftercooled			27 (cont.)
-----------------------------	---	--	--	-----------------------------

Filters

Spin-on fuel filter		BM68669 BM78669 BM78672 CF105 D156172	KC 28	1
---------------------	--	---	-------	---

Turbochargers

Turbocharger		3522865 3801613	183 TC 24517 000	1
		3522872 3801599	183 TC 24518 000	1
		3522867 3801614	183 TC 24519 000	1
		3529040	183 TC 24562 000	1
		3529032 3803108	183 TC 24563 000	1
		3525998 3801918	183 TC 24564 000	1
		3801591	286 TC 24516 000	1
		3803553	286 TC 24557 000	1

Crankshaft

Crankshaft	Bull Nose	3608833	247-5001	1
	Tapered Nose	3029340	247-5049	1

28	Engine Code: 'V-785' 8 Cyl, 12.9L / 785 CID, Bore 139.7mm / 5.500", Stroke 104.8mm / 4.125"			28
-----------	---	--	--	-----------

Cylinder Components

Ring Set	3 Ring Piston, Chrome Ductile Iron	4089793	S41885	8
	4 Ring Premium, For Engines Primarily Operated At Higher Speeds (2100 RPM), Seldom Highly Loaded At Lower Speeds, Steel Oil Ring	4089810	S41888	8

Miscellaneous Gaskets

Injector Tube O-Ring		3007759	GS33571	8
----------------------	--	---------	---------	---

Bearings

Piston Pin Bushing	Requires Boring, Tapered Bushing	187420	223-3545*	8
--------------------	----------------------------------	--------	-----------	---

Valve Train & Ancillary

Valve Guide		138937	217-3210	16
-------------	--	--------	----------	----



* For our latest product offerings go to <http://catalog.mahle-aftermarket.com/us/>

PART	NOTES	OE INTERCHANGE NUMBER	PART NUMBER	ORDER QTY
------	-------	-----------------------	-------------	-----------

29	Engine Code: 'V-588' 6 Cyl, 9.6L / 588 CID, Bore 139.7mm / 5.500", Stroke 104.8mm / 4.125"			29
-----------	---	--	--	-----------

Cylinder Components

Ring Set	3 Ring Piston, Chrome Ductile Iron	4089793	S41885	6
----------	------------------------------------	---------	--------	---

Miscellaneous Gaskets

Injector Tube O-Ring		3007759	GS33571	6
----------------------	--	---------	---------	---

Bearings

Piston Pin Bushing	Requires Boring, Tapered Bushing	187420	223-3545•	6
--------------------	----------------------------------	--------	-----------	---

Valve Train & Ancillary

Valve Guide		138937	217-3210	12
-------------	--	--------	----------	----

30	Engine Code: 'K38 ' 12 Cyl, 37.7L / 2301 CID, Bore 158.8mm / 6.250", Stroke 158.8mm / 6.250"			30
-----------	---	--	--	-----------

Cylinder Components

Cylinder Sleeve	Bare Sleeve Reference OE#3022157, Flange Diameter 190.355MM/7.493", Flange Thickness 13.400MM/0.527", 4 O-Ring Design, Kit Includes O-Rings	3007525	226-4544	12
-----------------	---	---------	----------	----

Piston	15.5:1 CR, Offset Pin	3631245	224-3313	12
	13.9:1 CR, Offset Pin	3631241	224-3333	12
	13.8:1 CR, Offset Pin	3631246	224-3334	12

Ring Set	Keystone Top Compression Ring, Not For Nitrided Sleeves	3631248	S41882•	12
----------	---	---------	---------	----

Sleeve O-Ring Kit	3 O-Ring Set, Contains OE#'s: 3081489, 3011076, And 3014668	See Note	223-7183	12
-------------------	---	----------	----------	----

Engine Gaskets

Engine Conversion Gasket Set	For KTA2300C, KTA38, KTTA38 Engines Only	3804301	CS4963C	1
------------------------------	--	---------	---------	---

Bearings

Connecting Rod Bearing (Pair)		3047390	CB-1619P	12
		3047391	CB-1619P-10	
		3047392	CB-1619P-20	

Main Bearing Set	Contains 2 Piece Thrust Washer Set	AR12250	MS-2018P	1
		AR12251	MS-2018P-10	

Piston Pin Bushing		3043909	223-3700	12
--------------------	--	---------	----------	----

Filters

Spin-on oil filter		3313289	OC 282	1
--------------------	--	---------	--------	---



PART	NOTES	OE INTERCHANGE NUMBER	PART NUMBER	ORDER QTY
------	-------	-----------------------	-------------	-----------

31	Engine Code: 'K19 ' 6 Cyl, 18.8L / 1150 CID, Bore 158.8mm / 6.250", Stroke 158.8mm / 6.250"			31
-----------	---	--	--	-----------

Cylinder Components

Cylinder Sleeve	Bare Sleeve Reference OE# 4009220 , Flange Diameter 188.214MM/7.410", Flange Thickness 13.400MM/ 0.527", 4 O-Ring Design, Kit Includes O-Rings	4024767	226-4559	6
	Bare Sleeve Reference OE# 4009233, 1.524MM/060" Oversize Flange Diameter (Flange Diameter 189.76MM/ 7.470", Flange Thickness 13.400MM/0.527"), 4 O-Ring Design, Kit Includes O-Rings	4024775	226-4561	6
Piston	15.5:1 CR, Offset Pin * Please check CPL numbers	3631245	224-3313	6
	13.9:1 CR, Offset Pin * Please check CPL numbers	3631241	224-3333	6
	13.8:1 CR, Offset Pin * Please check CPL numbers	3631246	224-3334	6
Ring Set	Keystone Top Compression Ring, Not For Nitrided Sleeves	3631248	S41882*	6
Sleeve O-Ring Kit	4 O-Ring Set, Contains OE#'s: 3011076, 3014668, 3081489, And 4000504	4024779	223-7209	6

Engine Gaskets

Engine Cylinder Head Gasket Set		3800727	HS4963	1
		3800728	HS4963A*	1
Engine Conversion Gasket Set	With 2 Piece Gear Cover	4089390	CS4963	1
	With 1 Piece Gear Cover	4089391	CS4963A	1

Bearings

Connecting Rod Bearing (Pair)		205840	CB-1357P	6
		205841	CB-1357P-10	
		205842	CB-1357P-20	
Main Bearing Set	Contains 4 Piece Thrust Washer Set	AR12270	MS-1625P	1
		AR12271	MS-1625P-10	
		AR12272	MS-1625P-20	
Piston Pin Bushing		3043909	223-3700	6
Camshaft Bearing		3002834	SH-2165	7

Valve Train & Ancillary

Valve (Intake)		3803515	211-3343	12
Valve (Exhaust)		3803529	211-3311	12
Valve Guide		3018818	217-3446	24
		3202210	217-4073	24

Filters

Spin-on oil filter		3313289	OC 282	1
---------------------------	--	---------	---------------	---



PART	NOTES	OE INTERCHANGE NUMBER	PART NUMBER	ORDER QTY
------	-------	-----------------------	-------------	-----------

31 (cont.)	Engine Code: 'K19 ' 6 Cyl, 18.8L / 1150 CID, Bore 158.8mm / 6.250", Stroke 158.8mm / 6.250"			31 (cont.)
-----------------------	---	--	--	-----------------------

Filters

Spin-on fuel filter		BM68669 BM78669 BM78672 CF105 D156172	KC 28	1
---------------------	--	---	--------------	---

Crankshaft

Crankshaft	Without Gear	3096362	247-5139	1
	Gear Included In Box, Not Installed	3347569	247-5220	1

32	Engine Code: 'K50' 16 Cyl, 50.3L / 3068 CID, Bore 158.8mm / 6.250", Stroke 158.8mm / 6.250"			32
-----------	---	--	--	-----------

Cylinder Components

Cylinder Sleeve	Bare Sleeve Reference OE#3022157, Flange Diameter 190.355MM/7.493", Flange Thickness 13.400MM/0.527", 4 O-Ring Design, Kit Includes O-Rings	3007525	226-4544	16
Piston	15.5:1 CR, Offset Pin * Please check CPL numbers	3631245	224-3313	16
	13.9:1 CR, Offset Pin * Please check CPL numbers	3631241	224-3333	16
	13.8:1 CR, Offset Pin * Please check CPL numbers	3631246	224-3334	16
Ring Set	Keystone Top Compression Ring, Not For Nitrided Sleeves	3631248	S41882•	16
Sleeve O-Ring Kit	3 O-Ring Set, Contains OE#s: 3081489, 3011076, And 3014668	See Note	223-7183	16

Bearings

Connecting Rod Bearing (Pair)		3047390	CB-1619P	16
		3047391	CB-1619P-10	
		3047392	CB-1619P-20	
Main Bearing Set	Contains 2 Piece Thrust Washer Set	3018210	MS-2019P	1
		3018211	MS-2019P-10	

Filters

Spin-on oil filter		3313289	OC 282	1
--------------------	--	---------	---------------	---

Crankshaft

Crankshaft		4098998	247-5180•	1
------------	--	---------	------------------	---



CUMMINS CYLINDER SLEEVE ASSEMBLY COMPONENT INTERCHANGES

MAHLE

Bore	Part No.	OE Interchange Number	Qty
4.490	226-1894		
Cylinder Sleeve:	226-4496	3802370 3907792	1
Sleeve O-Ring Kit:	223-7201	3907177	1
Piston:	224-3012	3917707	1
Ring Set:	S41677	3802429	1
4.490	226-1899		
Cylinder Sleeve:	226-4547	3802407 3919937	1
Sleeve O-Ring Kit:	223-7201	3907177	1
Piston:	224-3012	3917707	1
Ring Set:	S41677	3802429	1
4.490	226-1917		
Cylinder Sleeve:	226-4547	3802407 3919937	1
Sleeve O-Ring Kit:	223-7201	3907177	1
Piston:	224-3293	3802657	1
Ring Set:	S41677	3802429	1
4.490	226-1947		
Cylinder Sleeve:	226-4547	3802407 3919937	1
Sleeve O-Ring Kit:	223-7201	3907177	1
Piston:	224-3326	3919930	1
Ring Set:	S41677	3802429	1
4.490	226-1948		
Cylinder Sleeve:	226-4496	3802370 3907792	1
Sleeve O-Ring Kit:	223-7201	3907177	1
Piston:	224-3325	3923163	1
Ring Set:	S41677	3802429	1
4.490	226-1950		
Cylinder Sleeve:	226-4496	3802370 3907792	1
Sleeve O-Ring Kit:	223-7201	3907177	1
Piston:	224-3326	3919930	1
Ring Set:	S41677	3802429	1
4.490	226-1951		
Cylinder Sleeve:	226-4547	3802407	1

Bore	Part No.	OE Interchange Number	Qty
		3919937	
Sleeve O-Ring Kit:	223-7201	3907177	1
Piston:	224-3325	3923163	1
Ring Set:	S41677	3802429	1
4.490	226-2035		
Cylinder Sleeve:	226-4566	3800328 3948095	1
Sleeve O-Ring Kit:	223-7201	3907177	1
Piston:	224-3293	3802657	1
Ring Set:	S41677	3802429	1
4.490	226-2058		
Cylinder Sleeve:	226-4566	3800328 3948095	1
Sleeve O-Ring Kit:	223-7201	3907177	1
Piston:	224-3012	3917707	1
Ring Set:	S41677	3802429	1
4.490	226-2070		
Cylinder Sleeve:	226-4566	3800328 3948095	1
Sleeve O-Ring Kit:	223-7201	3907177	1
Ring Set:	S41677	3802429	1
4.500	226-1916		
Cylinder Sleeve:	226-4496	3802370 3907792	1
Sleeve O-Ring Kit:	223-7201	3907177	1
Piston:	224-3293	3802657	1
Ring Set:	S41677	3802429	1
4.921	226-1851		
Cylinder Sleeve:	226-4546	3803703	1
Sleeve O-Ring Kit:	223-7200	3047188	1
Piston:	224-2271	3803965	1
Ring Set:	S41371	3803961	1
4.921	226-1852		
Cylinder Sleeve:	226-4546	3803703	1
Sleeve O-Ring Kit:	223-7200	3047188	1
Piston:	224-3276	3803967	1
Ring Set:	S41371	3803961	1

VICTOR REINZ®
Sealing Products



MAHLE®
ORIGINAL

CUMMINS CYLINDER SLEEVE ASSEMBLY COMPONENT INTERCHANGES

MAHLE

Bore	Part No.	OE Interchange Number	Qty
5.125	226-1506		
Cylinder Sleeve:	226-4419	184400	1
Sleeve O-Ring Kit:	223-7142	181449 215983 216879	1
Piston:	224-1538	AR7510	1
Ring Set:	S41314	AR12098	1

Bore	Part No.	OE Interchange Number	Qty
5.500	226-1571		
Cylinder Sleeve:	226-4456	AR8069	1
Sleeve O-Ring Kit:	223-7158	215090 3032874	1
Piston:	224-2091	3019287	1
Ring Set:	S41885	4089793	1

Bore	Part No.	OE Interchange Number	Qty
5.500	226-1646		
Cylinder Sleeve:	226-4414	3055099 3801826	1
Sleeve O-Ring Kit:	223-7077	3032874	1
Piston:	224-2144	3017349	1
Ring Set:	S41888	4089810	1

Bore	Part No.	OE Interchange Number	Qty
5.500	226-1703		
Cylinder Sleeve:	226-4414	3055099 3801826	1
Sleeve O-Ring Kit:	223-7077	3032874	1
Piston:	224-2197	3028685	1
Ring Set:	S41889	4089811	1

Bore	Part No.	OE Interchange Number	Qty
5.500	226-1745		
Cylinder Sleeve:	226-4414	3055099 3801826	1
Sleeve O-Ring Kit:	223-7077	3032874	1
Piston:	224-2344	3801773	1
Ring Set:	S41889	4089811	1

Bore	Part No.	OE Interchange Number	Qty
5.500	226-1746		
Cylinder Sleeve:	226-4414	3055099 3801826	1
Sleeve O-Ring Kit:	223-7077	3032874	1
Piston:	224-2343	3801393	1
Ring Set:	S41889	4089811	1

Bore	Part No.	OE Interchange Number	Qty
5.500	226-1747		
Cylinder Sleeve:	226-4414	3055099	1

Bore	Part No.	OE Interchange Number	Qty
		3801826	
Sleeve O-Ring Kit:	223-7077	3032874	1
Piston:	224-2342	3801703	1
Ring Set:	S41888	4089810	1

Bore	Part No.	OE Interchange Number	Qty
5.500	226-1748		
Cylinder Sleeve:	226-4414	3055099 3801826	1
Sleeve O-Ring Kit:	223-7077	3032874	1
Piston:	224-2341	3801766	1
Ring Set:	S41889	4089811	1

Bore	Part No.	OE Interchange Number	Qty
5.500	226-1749		
Cylinder Sleeve:	226-4414	3055099 3801826	1
Sleeve O-Ring Kit:	223-7077	3032874	1
Piston:	224-2339	3804414	1
Ring Set:	S41889	4089811	1

Bore	Part No.	OE Interchange Number	Qty
5.500	226-1750		
Cylinder Sleeve:	226-4414	3055099 3801826	1
Sleeve O-Ring Kit:	223-7077	3032874	1
Piston:	224-2340	3801876	1
Ring Set:	S41889	4089811	1

Bore	Part No.	OE Interchange Number	Qty
5.500	226-1760		
Cylinder Sleeve:	226-4414	3055099 3801826	1
Sleeve O-Ring Kit:	223-7077	3032874	1
Piston:	224-2262	3801535	1
Ring Set:	S41889	4089811	1

Bore	Part No.	OE Interchange Number	Qty
5.500	226-1769		
Cylinder Sleeve:	226-4414	3055099 3801826	1
Sleeve O-Ring Kit:	223-7077	3032874	1
Piston:	224-2341	3801766	1
Ring Set:	S41888	4089810	1

Bore	Part No.	OE Interchange Number	Qty
5.500	226-1770		
Cylinder Sleeve:	226-4414	3055099 3801826	1
Sleeve O-Ring Kit:	223-7077	3032874	1
Piston:	224-2262	3801535	1
Ring Set:	S41888	4089810	1

MAHLE
ORIGINAL



VICTOR REINZ

Sealing Products

CUMMINS CYLINDER SLEEVE ASSEMBLY COMPONENT INTERCHANGES

MAHLE

Bore	Part No.	OE Interchange Number	Qty
5.500 226-1771			
Cylinder Sleeve:	226-4414	3055099 3801826	1
Sleeve O-Ring Kit:	223-7077	3032874	1
Piston:	224-2340	3801876	1
Ring Set:	S41888	4089810	1
5.500 226-1772			
Cylinder Sleeve:	226-4414	3055099 3801826	1
Sleeve O-Ring Kit:	223-7077	3032874	1
Piston:	224-2339	3804414	1
Ring Set:	S41888	4089810	1
5.500 226-1773			
Cylinder Sleeve:	226-4414	3055099 3801826	1
Sleeve O-Ring Kit:	223-7077	3032874	1
Piston:	224-2344	3801773	1
Ring Set:	S41888	4089810	1
5.500 226-1774			
Cylinder Sleeve:	226-4414	3055099 3801826	1
Sleeve O-Ring Kit:	223-7077	3032874	1
Piston:	224-2343	3801393	1
Ring Set:	S41888	4089810	1
5.500 226-1775			
Cylinder Sleeve:	226-4414	3055099 3801826	1
Sleeve O-Ring Kit:	223-7077	3032874	1
Piston:	224-2144	3017349	1
Ring Set:	S41889	4089811	1
5.500 226-1792			
Cylinder Sleeve:	226-4486	3803219	1
Sleeve O-Ring Kit:	223-7077	3032874	1
Piston:	224-2339	3804414	1
Ring Set:	S41889	4089811	1
5.500 226-1793			
Cylinder Sleeve:	226-4486	3803219	1
Sleeve O-Ring Kit:	223-7077	3032874	1
Piston:	224-2344	3801773	1
Ring Set:	S41889	4089811	1

Bore	Part No.	OE Interchange Number	Qty
5.500 226-1794			
Cylinder Sleeve:	226-4486	3803219	1
Sleeve O-Ring Kit:	223-7077	3032874	1
Piston:	224-2340	3801876	1
Ring Set:	S41889	4089811	1
5.500 226-1796			
Cylinder Sleeve:	226-4486	3803219	1
Sleeve O-Ring Kit:	223-7077	3032874	1
Piston:	224-2341	3801766	1
Ring Set:	S41889	4089811	1
5.500 226-1821			
Cylinder Sleeve:	226-4414	3055099 3801826	1
Sleeve O-Ring Kit:	223-7077	3032874	1
Piston:	224-2743	3803344	1
Ring Set:	S41889	4089811	1
5.500 226-1822			
Cylinder Sleeve:	226-4486	3803219	1
Sleeve O-Ring Kit:	223-7077	3032874	1
Piston:	224-2743	3803344	1
Ring Set:	S41889	4089811	1
5.500 226-1831			
Cylinder Sleeve:	226-4414	3055099 3801826	1
Sleeve O-Ring Kit:	223-7077	3032874	1
Piston:	224-2819	3801534	1
Ring Set:	S41889	4089811	1
5.500 226-1832			
Cylinder Sleeve:	226-4486	3803219	1
Sleeve O-Ring Kit:	223-7077	3032874	1
Piston:	224-2819	3801534	1
Ring Set:	S41889	4089811	1
5.500 226-1833			
Cylinder Sleeve:	226-4414	3055099 3801826	1
Sleeve O-Ring Kit:	223-7077	3032874	1
Piston:	224-2820	3801820	1
Ring Set:	S41889	4089811	1

VICTOR REINZ®
Sealing Products



MAHLE®
ORIGINAL

CUMMINS CYLINDER SLEEVE ASSEMBLY COMPONENT INTERCHANGES

MAHLE

Bore	Part No.	OE Interchange Number	Qty
5.500 226-1834			
Cylinder Sleeve:	226-4486	3803219	1
Sleeve O-Ring Kit:	223-7077	3032874	1
Piston:	224-2820	3801820	1
Ring Set:	S41889	4089811	1
5.500 226-1835			
Cylinder Sleeve:	226-4414	3055099 3801826	1
Sleeve O-Ring Kit:	223-7077	3032874	1
Piston:	224-2821	3801819	1
Ring Set:	S41889	4089811	1
5.500 226-1836			
Cylinder Sleeve:	226-4486	3803219	1
Sleeve O-Ring Kit:	223-7077	3032874	1
Piston:	224-2821	3801819	1
Ring Set:	S41889	4089811	1
5.500 226-1837			
Cylinder Sleeve:	226-4414	3055099 3801826	1
Sleeve O-Ring Kit:	223-7077	3032874	1
Piston:	224-2822	3801818	1
Ring Set:	S41889	4089811	1
5.500 226-1839			
Cylinder Sleeve:	226-4414	3055099 3801826	1
Sleeve O-Ring Kit:	223-7077	3032874	1
Piston:	224-2823	3801744	1
Ring Set:	S41889	4089811	1
5.500 226-1840			
Cylinder Sleeve:	226-4486	3803219	1
Sleeve O-Ring Kit:	223-7077	3032874	1
Piston:	224-2823	3801744	1
Ring Set:	S41889	4089811	1
5.500 226-1841			
Cylinder Sleeve:	226-4414	3055099 3801826	1
Sleeve O-Ring Kit:	223-7077	3032874	1
Piston:	224-2818	3801954	1
Ring Set:	S41889	4089811	1

Bore	Part No.	OE Interchange Number	Qty
5.500 226-1842			
Cylinder Sleeve:	226-4486	3803219	1
Sleeve O-Ring Kit:	223-7077	3032874	1
Piston:	224-2818	3801954	1
Ring Set:	S41889	4089811	1
5.500 226-1847			
Cylinder Sleeve:	226-4486	3803219	1
Sleeve O-Ring Kit:	223-7077	3032874	1
Piston:	224-2341	3801766	1
Ring Set:	S41888	4089810	1
5.500 226-1848			
Cylinder Sleeve:	226-4486	3803219	1
Sleeve O-Ring Kit:	223-7077	3032874	1
Piston:	224-2342	3801703	1
Ring Set:	S41889	4089811	1
5.500 226-1857			
Cylinder Sleeve:	226-4486	3803219	1
Sleeve O-Ring Kit:	223-7077	3032874	1
Piston:	224-2197	3028685	1
Ring Set:	S41889	4089811	1
5.500 226-1860			
Cylinder Sleeve:	226-4486	3803219	1
Sleeve O-Ring Kit:	223-7077	3032874	1
Piston:	224-2344	3801773	1
Ring Set:	S41888	4089810	1
5.500 226-1862			
Cylinder Sleeve:	226-4486	3803219	1
Sleeve O-Ring Kit:	223-7077	3032874	1
Piston:	224-2262	3801535	1
Ring Set:	S41888	4089810	1
5.500 226-1863			
Cylinder Sleeve:	226-4414	3055099 3801826	1
Sleeve O-Ring Kit:	223-7077	3032874	1
Piston:	224-3269	AR3560	1
Ring Set:	S41888	4089810	1

MAHLE
ORIGINAL



VICTOR REINZ

Sealing Products

CUMMINS CYLINDER SLEEVE ASSEMBLY COMPONENT INTERCHANGES

MAHLE

Bore	Part No.	OE Interchange Number	Qty
5.500 226-1873			
Cylinder Sleeve:	226-4486	3803219	1
Sleeve O-Ring Kit:	223-7077	3032874	1
Piston:	224-2262	3801535	1
Ring Set:	S41889	4089811	1
5.500 226-1874			
Cylinder Sleeve:	226-4486	3803219	1
Sleeve O-Ring Kit:	223-7077	3032874	1
Piston:	224-2343	3801393	1
Ring Set:	S41888	4089810	1
5.500 226-1880			
Cylinder Sleeve:	226-4414	3055099 3801826	1
Sleeve O-Ring Kit:	223-7077	3032874	1
Piston:	224-3249	3801533	1
Ring Set:	S41889	4089811	1
5.500 226-1883			
Cylinder Sleeve:	226-4486	3803219	1
Sleeve O-Ring Kit:	223-7077	3032874	1
Piston:	224-2340	3801876	1
Ring Set:	S41888	4089810	1
5.500 226-1884			
Cylinder Sleeve:	226-4486	3803219	1
Sleeve O-Ring Kit:	223-7077	3032874	1
Piston:	224-2339	3804414	1
Ring Set:	S41888	4089810	1
5.500 226-1903			
Cylinder Sleeve:	226-4414	3055099 3801826	1
Sleeve O-Ring Kit:	223-7077	3032874	1
Piston:	224-3284	3803758	1
Ring Set:	S41887	4089489	1
5.500 226-1905			
Cylinder Sleeve:	226-4414	3055099 3801826	1
Sleeve O-Ring Kit:	223-7077	3032874	1
Piston:	224-3289	3804414	1
Ring Set:	S41887	4089489	1

Bore	Part No.	OE Interchange Number	Qty
5.500 226-1907			
Cylinder Sleeve:	226-4486	3803219	1
Sleeve O-Ring Kit:	223-7077	3032874	1
Piston:	224-3289	3804414	1
Ring Set:	S41887	4089489	1
5.500 226-1908			
Cylinder Sleeve:	226-4486	3803219	1
Sleeve O-Ring Kit:	223-7077	3032874	1
Piston:	224-3284	3803758	1
Ring Set:	S41887	4089489	1
5.500 226-1911			
Cylinder Sleeve:	226-4414	3055099 3801826	1
Sleeve O-Ring Kit:	223-7077	3032874	1
Piston:	224-3290	3081268	1
Piston Pin:	223-1960	3064304	1 1
Lock Ring:	223-5540	3064305	2
Ring Set:	S41887	4089489	1
5.500 226-1912			
Cylinder Sleeve:	226-4486	3803219	1
Sleeve O-Ring Kit:	223-7077	3032874	1
Piston:	224-3290	3081268	1
Piston Pin:	223-1960	3064304	1 1
Lock Ring:	223-5540	3064305	1
Ring Set:	S41887	4089489	1
5.500 226-2039			
Cylinder Sleeve:	226-4414	3055099 3801826	1
Sleeve O-Ring Kit:	223-7077	3032874	1
Piston:	224-3775	3803741	1
Piston Pin:	223-1960	3064304	1 1
Lock Ring:	223-5540	3064305	2
Ring Set:	S41887	4089489	1

VICTOR REINZ®
Sealing Products



MAHLE®
ORIGINAL

CUMMINS CYLINDER SLEEVE ASSEMBLY COMPONENT INTERCHANGES

MAHLE

Bore	Part No.	OE Interchange Number	Qty
5.500	226-2040		
Cylinder Sleeve:	226-4414	3055099 3801826	1
Sleeve O-Ring Kit:	223-7077	3032874	1
Piston:	224-3776	3803739	1
Piston Pin:	223-1960	3064304	1 1
Lock Ring:	223-5540	3064305	2
Ring Set:	S41887	4089489	1
5.500	226-2041		
Cylinder Sleeve:	226-4414	3055099 3801826	1
Sleeve O-Ring Kit:	223-7077	3032874	1
Piston:	224-3777	3804630	1
Piston Pin:	223-1960	3064304	1 1
Lock Ring:	223-5540	3064305	2
Ring Set:	S41887	4089489	1

MAHLE[®]
ORIGINAL



VICTOR REINZ[®]

Sealing Products

Model	No. Cyls.	Liter	CID	Bore (mm)	Bore (IN)	Stroke (mm)	Stroke (IN)	Line No.
12V-71	12	14.0	852	108.0	4.250	127.0	5.0	4
16V-71	16	18.6	1136	108.0	4.250	127.0	5.0	5
3-53	3	2.6	159	98.4	3.875	114.3	4.5	1
4-53	4	3.5	212	98.4	3.875	114.3	4.5	2
4-71	4	4.7	284	108.0	4.250	127.0	5.0	7
6-71	6	7.0	426	108.0	4.250	127.0	5.0	9
60 Series (11.1L)	6	11.1	677	130.0	5.118	139.0	5.5	10
60 Series (12.7L)	6	12.7	778	130.0	5.118	160.0	6.3	11
60 Series (14.0L)	6	14.0	855	133.1	5.240	167.9	6.6	12
6V-53	6	5.2	318	98.4	3.875	114.3	4.5	3
8.2L	8	8.2	500	108.0	4.250	111.9	4.4	8
8V-71	8	9.3	568	108.0	4.250	127.0	5.0	6

LINE #	NOTES	PART DESCRIPTION	OVERHAUL	QTY	IN-FRAME	QTY
1	Engine Code: '3-53' 3 Cyl, 2.6L / 159 CID, Bore 98.4mm / 3.875", Stroke 114.3mm / 4.500"; Supercharged					1
1.1	21:1 CR Naturally Aspirated Engines Late Design Contains Trunk Style Piston Contains Piston With .468" Deep Bowl OE Main Bearing Number(s) 8924357 OE Rod Bearing Number(s) 5149452	Kit Number	468-1018		468-5018	
		Cylinder Sleeve Assembly	226-1477	3	226-1477	3
		Main Bearings (Single, Pair)	MB-1897P	4	MB-1897P	4
		Undersizes	P-10		P-10	
		Connecting Rod Bearing (Pair)	CB-1265P	3	CB-1265P	3
		Undersizes	P-10-20		P-10-20	
		Thrust Washer Set	TW-412S	1	TW-412S	1
		Engine Full Gasket Set / Engine Cylinder Head Gasket Set	FS12232A	1	HS12232X	1
		Engine Timing Cover Seal	46289	1		
		Rear Main Seal	SS48005	1		
1.2	17.0:1 CR Naturally Aspirated Engines OE Main Bearing Number(s) 8924357 OE Rod Bearing Number(s) 5149452	Kit Number	468-1021		468-5021	
		Cylinder Sleeve Assembly	226-1478	3	226-1478	3
		Main Bearings (Single, Pair)	MB-1897P	4	MB-1897P	4
		Undersizes	P-10		P-10	
		Connecting Rod Bearing (Pair)	CB-1265P	3	CB-1265P	3
		Undersizes	P-10-20		P-10-20	
		Thrust Washer Set	TW-412S	1	TW-412S	1
		Engine Full Gasket Set / Engine Cylinder Head Gasket Set	FS12232A	1	HS12232X	1
		Engine Timing Cover Seal	46289	1		
		Rear Main Seal	SS48005	1		

2	Engine Code: '4-53' 4 Cyl, 3.5L / 212 CID, Bore 98.4mm / 3.875", Stroke 114.3mm / 4.500"; Supercharged					2
2.1	21:1 CR Naturally Aspirated Engines Late Design Contains Trunk Style Piston OE Main Bearing Number(s) 8924357 OE Rod Bearing Number(s) 5149452	Kit Number	468-1019		468-5019	
		Cylinder Sleeve Assembly	226-1477	4	226-1477	4
		Main Bearing Set	MS-502P	1	MS-502P	1
		Undersizes	P-10		P-10	
		Connecting Rod Bearing (Pair)	CB-1265P	4	CB-1265P	4
		Undersizes	P-10-20		P-10-20	
		Engine Full Gasket Set / Engine Cylinder Head Gasket Set	FS12232B	1	HS12232	1
		Engine Timing Cover Seal / Engine Oil Pan Gasket Set	46289	1	OS31584	1
		Rear Main Seal	SS48005	1		

LINE #	NOTES	PART DESCRIPTION	OVERHAUL	QTY	IN-FRAME	QTY
2	Engine Code: '4-53' 4 Cyl, 3.5L / 212 CID, Bore 98.4mm / 3.875", Stroke 114.3mm / 4.500"; Supercharged					2
2.2	17.0:1 CR Naturally Aspirated Engines OE Main Bearing Number(s) 8924357 OE Rod Bearing Number(s) 5149452	Kit Number	468-1022		468-5022	
		Cylinder Sleeve Assembly	226-1478	4	226-1478	4
		Main Bearing Set	MS-502P	1	MS-502P	1
		Undersizes	P-10		P-10	
		Connecting Rod Bearing (Pair)	CB-1265P	4	CB-1265P	4
		Undersizes	P-10-20		P-10-20	
		Engine Full Gasket Set / Engine Cylinder Head Gasket Set	FS12232B	1	HS12232	1
		Engine Timing Cover Seal / Engine Oil Pan Gasket Set	46289	1	OS31584	1
		Rear Main Seal	SS48005	1		
3	Engine Code: '6V-53' 6 Cyl, 5.2L / 318 CID, Bore 98.4mm / 3.875", Stroke 114.3mm / 4.500"					3
3.1	21:1 CR Naturally Aspirated Engines Late Design From Engine Serial Number 6D-17961 Contains Trunk Style Piston Contains Piston With .468" Deep Bowl 7 Oil Holes In Upper Half Bearing OE Rod Bearing Number(s) 5197975 OE Main Bearing Number(s); 5198410	Kit Number	468-1000		468-5000	
		Cylinder Sleeve Assembly	226-1477	6	226-1477	6
		Main Bearing Set	MS-885P	1	MS-885P	1
		Undersizes	P-10-20		P-10-20	
		Connecting Rod Bearing (Pair)	CB-674P	6	CB-674P	6
		Undersizes	P-10		P-10	
		Engine Full Gasket Set / Engine Cylinder Head Gasket Set	FS12232C	1	HS12232X	2
		Engine Timing Cover Seal	46289	1		
		Rear Main Seal	SS48005	1		
3.2	17.0:1 CR Naturally Aspirated Engines Early Design Thru Engine Serial Number 6D-17960 Contains Piston With .421" Shallow Bowl 1 Oil Hole In Upper Half Bearing OE Rod Bearing Number(s) 5197975 OE Main Bearing Number(s); 5195927	Kit Number	468-1024		468-5024	
		Cylinder Sleeve Assembly	226-1478	6	226-1478	6
		Main Bearing Set	MS-506P	1	MS-506P	1
		Undersizes	P-10-20		P-10-20	
		Connecting Rod Bearing (Pair)	CB-674P	6	CB-674P	6
		Undersizes	P-10		P-10	
		Engine Full Gasket Set / Engine Cylinder Head Gasket Set	FS12232C	1	HS12232X	2
		Engine Timing Cover Seal	46289	1		
		Rear Main Seal	SS48005	1		

LINE #	NOTES	PART DESCRIPTION	OVERHAUL	QTY	IN-FRAME	QTY
3	Engine Code: '6V-53' 6 Cyl, 5.2L / 318 CID, Bore 98.4mm / 3.875", Stroke 114.3mm / 4.500"					3
3.3	17.0:1 CR Naturally Aspirated Engines Early Design From Engine Serial Number 6D-17961 Contains Piston With .421" Shallow Bowl 7 Oil Holes In Upper Half Bearing OE Rod Bearing Number(s) 5197975 OE Main Bearing Number(s); 5198410	Kit Number	468-1025		468-5025	
		Cylinder Sleeve Assembly	226-1478	6	226-1478	6
		Main Bearing Set	MS-885P	1	MS-885P	1
		Undersizes	P-10-20		P-10-20	
		Connecting Rod Bearing (Pair)	CB-674P	6	CB-674P	6
		Undersizes	P-10		P-10	
		Engine Full Gasket Set / Engine Cylinder Head Gasket Set	FS12232C	1	HS12232X	2
		Engine Timing Cover Seal	46289	1		
		Rear Main Seal	SS48005	1		
3.4	21:1 CR Naturally Aspirated Engines Late Design Thru Engine Serial Number 6D-17960 Contains Trunk Style Piston Contains Piston With .468" Deep Bowl 1 Oil Hole In Upper Half Bearing OE Rod Bearing Number(s) 5197975 OE Main Bearing Number(s); 5195927	Kit Number	468-1026		468-5026	
		Cylinder Sleeve Assembly	226-1477	6	226-1477	6
		Main Bearing Set	MS-506P	1	MS-506P	1
		Undersizes	P-10-20		P-10-20	
		Connecting Rod Bearing (Pair)	CB-674P	6	CB-674P	6
		Undersizes	P-10		P-10	
		Engine Full Gasket Set / Engine Cylinder Head Gasket Set	FS12232C	1	HS12232X	2
		Engine Timing Cover Seal	46289	1		
		Rear Main Seal	SS48005	1		

4	Engine Code: '12V-71' 12 Cyl, 14.0L / 852 CID, Bore 108.0mm / 4.250", Stroke 127.0mm / 5.000"					4
4.1	18.7:1 CR Naturally Aspirated Engines 4 Valve Cylinder Head 1.05" Port Height Sleeve Contains Trunk Style Piston For Aluminum Valve Cover OE Sleeve Assembly Number(s) 23505306#2, 23505306#3 OE Rod Bearing Number(s) 5149572 OE Main Bearing Number(s); 5149565	Kit Number	468-1060			
		Cylinder Sleeve Assembly	226-1633	12		
		Oversizes	STD-010			
		Main Bearings (Single, Pair)	MB-2687P	7		
		Undersizes	P-10-20-30			
		Connecting Rod Bearing (Pair)	CB-555P	12		
		Undersizes	P-10-20-30			
		Thrust Washer Set	TW-402S	1		
		Engine Full Gasket Set	FS12197K	1		
		Engine Valve Cover Gasket Set	VS39864	2		
		Engine Timing Cover Seal	47095	1		
		Rear Main Seal	SS47870	1		

LINE #	NOTES	PART DESCRIPTION	OVERHAUL	QTY	IN-FRAME	QTY
4	Engine Code: '12V-71' 12 Cyl, 14.0L / 852 CID, Bore 108.0mm / 4.250", Stroke 127.0mm / 5.000"					4
4.2	18.7:1 CR Naturally Aspirated Engines Contains Crosshead Piston 1.05" Port Height Sleeve For Aluminum Valve Cover OE Sleeve Assembly Number(s) 23522947 OE Rod Bearing Number(s) 5149572 OE Main Bearing Number(s); 5149565	Kit Number	468-1061			
		Cylinder Sleeve Assembly	226-1946	12		
		Main Bearings (Single, Pair)	MB-2687P	7		
		Undersizes	P-10-20-30			
		Connecting Rod Bearing (Pair)	CB-555P	12		
		Undersizes	P-10-20-30			
		Thrust Washer Set	TW-402S	1		
		Engine Full Gasket Set	FS12197K	1		
		Engine Valve Cover Gasket Set	VS39864	2		
		Engine Timing Cover Seal	47095	1		
		Rear Main Seal	SS47870	1		
4.3	Turbocharged Engines 17.0:1 CR Contains Crosshead Piston 1.05" Port Height Sleeve For Aluminum Valve Cover OE Sleeve Assembly Number(s) 23522953 OE Rod Bearing Number(s) 5149572 OE Main Bearing Number(s); 5149565	Kit Number	468-1063			
		Cylinder Sleeve Assembly	226-1945	12		
		Oversizes	STD-010			
		Main Bearings (Single, Pair)	MB-2687P	7		
		Undersizes	P-10-20-30			
		Connecting Rod Bearing (Pair)	CB-555P	12		
		Undersizes	P-10-20-30			
		Thrust Washer Set	TW-402S	1		
		Engine Full Gasket Set	FS12197K	1		
		Engine Valve Cover Gasket Set	VS39864	2		
		Engine Timing Cover Seal	47095	1		
Rear Main Seal	SS47870	1				
5	Engine Code: '16V-71' 16 Cyl, 18.6L / 1136 CID, Bore 108.0mm / 4.250", Stroke 127.0mm / 5.000"					5
5.1	18.7:1 CR Naturally Aspirated Engines Contains Trunk Style Piston 1.05" Port Height Sleeve 4 Valve Cylinder Head For Steel Valve Cover OE Sleeve Assembly Number(s) 23505306#2, 23505306#3 OE Rod Bearing Number(s) 5149572 OE Main Bearing Number(s); 5149565	Kit Number	468-5065			
		Cylinder Sleeve Assembly		226-1633	16	
		Oversizes		STD-010		
		Main Bearings (Single, Pair)		MB-2687P	10	
		Undersizes		P-10-20-30		
		Connecting Rod Bearing (Pair)		CB-555P	16	
		Undersizes		P-10-20-30		
		Thrust Washer Set		TW-402S	1	
		Engine Cylinder Head Gasket Set		HS12197J	4	
		Engine Valve Cover Gasket Set		VS39859	4	

LINE #	NOTES	PART DESCRIPTION	OVERHAUL	QTY	IN-FRAME	QTY
5	Engine Code: '16V-71' 16 Cyl, 18.6L / 1136 CID, Bore 108.0mm / 4.250", Stroke 127.0mm / 5.000"					5
5.2	18.7:1 CR Naturally Aspirated Engines Contains Crosshead Piston 1.05" Port Height Sleeve For Steel Valve Cover OE Sleeve Assembly Number(s) 23522947 OE Rod Bearing Number(s) 5149572 OE Main Bearing Number(s); 5149565	Kit Number			468-5066	
		Cylinder Sleeve Assembly			226-1946	16
		Oversizes			STD-010	
		Main Bearings (Single, Pair)			MB-2687P	10
		Undersizes			P-10-20-30	
		Connecting Rod Bearing (Pair)			CB-555P	16
		Undersizes			P-10-20-30	
		Thrust Washer Set			TW-402S	1
		Engine Cylinder Head Gasket Set			HS12197J	4
Engine Valve Cover Gasket Set			VS39859	4		
5.3	Turbocharged Engines 17.0:1 CR Contains Crosshead Piston 1.05" Port Height Sleeve For Steel Valve Cover OE Sleeve Assembly Number(s) 23522953 OE Rod Bearing Number(s) 5149572 OE Main Bearing Number(s); 5149565	Kit Number			468-5068	
		Cylinder Sleeve Assembly			226-1945	16
		Oversizes			STD-010	
		Main Bearings (Single, Pair)			MB-2687P	10
		Undersizes			P-10-20-30	
		Connecting Rod Bearing (Pair)			CB-555P	16
		Undersizes			P-10-20-30	
		Thrust Washer Set			TW-402S	1
		Engine Cylinder Head Gasket Set			HS12197J	4
Engine Valve Cover Gasket Set			VS39859	4		

6	Engine Code: '8V-71' 8 Cyl, 9.3L / 568 CID, Bore 108.0mm / 4.250", Stroke 127.0mm / 5.000"					6
6.1	18.7:1 CR Naturally Aspirated Engines 1.05" Port Height Sleeve Contains Crosshead Piston For Aluminum Valve Cover OE Sleeve Assembly Number(s) 23522947 OE Rod Bearing Number(s) 5149572 OE Main Bearing Number(s); 5149565	Kit Number		468-1007		468-5007
		Cylinder Sleeve Assembly	226-1946	8	226-1946	8
		Oversizes	STD-010		STD-001-010	
		Main Bearing Set	MS-1386P	1	MS-1386P	1
		Undersizes	P-10-20-30		P-10-20-30	
		Connecting Rod Bearing (Pair)	CB-555P	8	CB-555P	8
		Undersizes	P-10-20-30		P-10-20-30	
		Engine Full Gasket Set / Engine Cylinder Head Gasket Set	FS12197JT	1	HS12197B	2
		Engine Valve Cover Gasket Set	VS39863	2	VS39863	2
		Engine Timing Cover Seal / Engine Oil Pan Gasket Set	47095	1	OS31790	1
Rear Main Seal	SS47870	1				

LINE #	NOTES	PART DESCRIPTION	OVERHAUL	QTY	IN-FRAME	QTY
6	Engine Code: '8V-71' 8 Cyl, 9.3L / 568 CID, Bore 108.0mm / 4.250", Stroke 127.0mm / 5.000"					6
6.2	Turbocharged Engines 17.0:1 CR Contains Crosshead Piston 1.05" Port Height Sleeve For Aluminum Valve Cover OE Sleeve Assembly Number(s) 23522953 OE Rod Bearing Number(s) 5149572 OE Main Bearing Number(s); 5149565	Kit Number	468-1008		468-5008	
		Cylinder Sleeve Assembly	226-1945	8	226-1945	8
		Oversizes	STD-010		STD-010	
		Main Bearing Set	MS-1386P	1	MS-1386P	1
		Undersizes	P-10-20-30		P-10-20-30	
		Connecting Rod Bearing (Pair)	CB-555P	8	CB-555P	8
		Undersizes	P-10-20-30		P-10-20-30	
		Engine Full Gasket Set / Engine Cylinder Head Gasket Set	FS12197JT	1	HS12197B	2
		Engine Valve Cover Gasket Set	VS39863	2	VS39863	2
		Engine Timing Cover Seal / Engine Oil Pan Gasket Set	47095	1	OS31790	1
		Rear Main Seal	SS47870	1		
6.3	18.7:1 CR Naturally Aspirated Engines 4 Valve Cylinder Head Excludes Coach Contains Trunk Style Piston 1.05" Port Height Sleeve For Aluminum Valve Cover OE Sleeve Assembly Number(s) 23505306#2, 23505306#3 OE Rod Bearing Number(s) 5149572 OE Main Bearing Number(s); 5149565	Kit Number	468-1053		468-5053	
		Cylinder Sleeve Assembly	226-1633	8	226-1633	8
		Oversizes	STD-010		STD-010	
		Main Bearing Set	MS-1386P	1	MS-1386P	1
		Undersizes	P-10-20-30		P-10-20-30	
		Connecting Rod Bearing (Pair)	CB-555P	8	CB-555P	8
		Undersizes	P-10-20-30		P-10-20-30	
		Engine Full Gasket Set / Engine Cylinder Head Gasket Set	FS12197JT	1	HS12197B	2
		Engine Valve Cover Gasket Set	VS39863	2	VS39863	2
		Engine Timing Cover Seal / Engine Oil Pan Gasket Set	47095	1	OS31790	1
		Rear Main Seal	SS47870	1		
6.4	18.7:1 CR Naturally Aspirated Engines Contains Crosshead Piston 1.05" Port Height Sleeve For Steel Valve Cover OE Sleeve Assembly Number(s) 23522947 OE Rod Bearing Number(s) 5149572 OE Main Bearing Number(s); 5149565	Kit Number	468-1055		468-5055	
		Cylinder Sleeve Assembly	226-1946	8	226-1946	8
		Oversizes	STD-010		STD-010	
		Main Bearing Set	MS-1386P	1	MS-1386P	1
		Undersizes	P-10-20-30		P-10-20-30	
		Connecting Rod Bearing (Pair)	CB-555P	8	CB-555P	8
		Undersizes	P-10-20-30		P-10-20-30	
		Engine Full Gasket Set / Engine Cylinder Head Gasket Set	FS12197JT	1	HS12197B	2
		Engine Timing Cover Seal / Engine Oil Pan Gasket Set	47095	1	OS31790	1
		Rear Main Seal	SS47870	1		

LINE #	NOTES	PART DESCRIPTION	OVERHAUL	QTY	IN-FRAME	QTY
6	Engine Code: '8V-71' 8 Cyl, 9.3L / 568 CID, Bore 108.0mm / 4.250", Stroke 127.0mm / 5.000"					6
6.5	Turbocharged Engines 17.0:1 CR Contains Crosshead Piston 1.05" Port Height Sleeve For Steel Valve Cover OE Sleeve Assembly Number(s) 23522953 OE Rod Bearing Number(s) 5149572 OE Main Bearing Number(s); 5149565	Kit Number	468-1058		468-5058	
		Cylinder Sleeve Assembly	226-1945	8	226-1945	8
		Oversizes	STD-010		STD-010	
		Main Bearing Set	MS-1386P	1	MS-1386P	1
		Undersizes	P-10-20-30		P-10-20-30	
		Connecting Rod Bearing (Pair)	CB-555P	8	CB-555P	8
		Undersizes	P-10-20-30		P-10-20-30	
		Engine Full Gasket Set / Engine Cylinder Head Gasket Set	FS12197JT	1	HS12197B	2
		Engine Timing Cover Seal / Engine Oil Pan Gasket Set	47095	1	OS31790	1
		Rear Main Seal	SS47870	1		

7	Engine Code: '4-71' 4 Cyl, 4.7L / 284 CID, Bore 108.0mm / 4.250", Stroke 127.0mm / 5.000"					7
7.1	18.7:1 CR Naturally Aspirated Engines High Block Contains Trunk Style Piston For Aluminum Valve Cover OE Sleeve Assembly Number(s) 23505306#2, 23505306#3 OE Rod Bearing Number(s) 23511129 OE Main Bearing Number(s); 5192874	Kit Number			468-5033	
		Cylinder Sleeve Assembly			226-1633	4
		Oversizes			STD-010	
		Main Bearings (Single, Pair)			MB-1276P	5
		Undersizes			P-10-20	
		Connecting Rod Bearing (Pair)			CB-1596P	4
		Undersizes			P-10-20	
		Thrust Washer Set			TW-411S	1
		Engine Cylinder Head Gasket Set			HS12197B	1
		Engine Valve Cover Gasket Set			VS39863	1
Engine Oil Pan Gasket Set			OS31771	1		
7.2	18.7:1 CR Naturally Aspirated Engines High Block Contains Trunk Style Piston For Steel Valve Cover OE Sleeve Assembly Number(s) 23505306#2, 23505306#3 OE Rod Bearing Number(s) 23511129 OE Main Bearing Number(s); 5192874	Kit Number			468-5034	
		Cylinder Sleeve Assembly			226-1633	4
		Oversizes			STD-010	
		Main Bearings (Single, Pair)			MB-1276P	5
		Undersizes			P-10-20	
		Connecting Rod Bearing (Pair)			CB-1596P	4
		Undersizes			P-10-20	
		Thrust Washer Set			TW-411S	1
		Engine Cylinder Head Gasket Set			HS12197B	1
		Engine Oil Pan Gasket Set			OS31771	1

LINE #	NOTES	PART DESCRIPTION	OVERHAUL	QTY	IN-FRAME	QTY
7	Engine Code: '4-71' 4 Cyl, 4.7L / 284 CID, Bore 108.0mm / 4.250", Stroke 127.0mm / 5.000"					7
7.3	Naturally Aspirated Engines 18.7:1 CR High Block Contains Crosshead Piston For Aluminum Valve Cover OE Sleeve Assembly Number(s) 23522947 OE Rod Bearing Number(s) 23511129 OE Main Bearing Number(s); 5192874	Kit Number			468-5035	
		Cylinder Sleeve Assembly			226-1946	4
		Oversizes			STD-001-010	
		Main Bearings (Single, Pair)			MB-1276P	5
		Undersizes			P-10-20	
		Connecting Rod Bearing (Pair)			CB-1596P	4
		Undersizes			P-10-20	
		Thrust Washer Set			TW-411S	1
		Engine Cylinder Head Gasket Set			HS12197B	1
		Engine Valve Cover Gasket Set			VS39863	1
Engine Oil Pan Gasket Set			OS31771	1		
7.4	18.7:1 CR Naturally Aspirated Engines High Block Contains Crosshead Piston For Steel Valve Cover OE Sleeve Assembly Number(s) 23522947 OE Rod Bearing Number(s) 23511129 OE Main Bearing Number(s); 5192874	Kit Number			468-5036	
		Cylinder Sleeve Assembly			226-1946	4
		Oversizes			STD-010	
		Main Bearings (Single, Pair)			MB-1276P	5
		Undersizes			P-10-20	
		Connecting Rod Bearing (Pair)			CB-1596P	4
		Undersizes			P-10-20	
		Thrust Washer Set			TW-411S	1
		Engine Cylinder Head Gasket Set			HS12197B	1
		Engine Oil Pan Gasket Set			OS31771	1
8	Engine Code: '8.2L' 8 Cyl, 8.2L / 500 CID, Bore 108.0mm / 4.250", Stroke 111.9mm / 4.406"					8
8.1	18.3:1 CR Naturally Aspirated Engines OE Rod Bearing Number(s) 8921714 OE Main Bearing Number(s); 8921712, 8922948	Kit Number		468-1014	468-5014	
		Rebore Kit	225-3501	8	225-3501	8
		Main Bearing Set	MS-1566P	1	MS-1566P	1
		Undersizes	P-10-20		P-10-20	
		Connecting Rod Bearing (Pair)	CB-1288P	8	CB-1288P	8
		Undersizes	P-10-20-30		P-10-20-30	
		Engine Cylinder Head Gasket Set	HS3983	1	HS3983	1
		Engine Conversion Gasket Set / Engine Oil Pan Gasket Set	CS3983	1	OS30938	1
		Rear Main Seal	47913	1		

LINE #	NOTES	PART DESCRIPTION	OVERHAUL	QTY	IN-FRAME	QTY
8	Engine Code: '8.2L' 8 Cyl, 8.2L / 500 CID, Bore 108.0mm / 4.250", Stroke 111.9mm / 4.406"					8
8.2	17.0:1 CR Turbocharged Engines OE Rod Bearing Number(s) 8921714 OE Main Bearing Number(s); 8921712, 8922948	Kit Number	468-1015		468-5015	
		Rebore Kit	225-3502	8	225-3502	8
		Main Bearing Set	MS-1566P	1	MS-1566P	1
		Undersizes	P-10-20		P-10-20	
		Connecting Rod Bearing (Pair)	CB-1288P	8	CB-1288P	8
		Undersizes	P-10-20-30		P-10-20-30	
		Engine Cylinder Head Gasket Set	HS3983	1	HS3983	1
		Engine Conversion Gasket Set / Engine Oil Pan Gasket Set	CS3983	1	OS30938	1
		Rear Main Seal	47913	1		

LINE #	NOTES	PART DESCRIPTION	OVERHAUL	QTY	IN-FRAME	QTY
9	Engine Code: '6-71' 6 Cyl, 7.0L / 426 CID, Bore 108.0mm / 4.250", Stroke 127.0mm / 5.000"; Supercharged					9
9.1	18.7:1 CR Naturally Aspirated Engines Contains Crosshead Piston For Steel Valve Cover OE Sleeve Assembly Number(s) 23522947 OE Rod Bearing Number(s) 23511129 OE Main Bearing Number(s); 5192874	Kit Number	468-1003		468-5003	
		Cylinder Sleeve Assembly	226-1946	6	226-1946	6
		Oversizes	STD-001-010		STD-001-010	
		Main Bearing Set	MS-271P	1	MS-271P	1
		Undersizes	P-10-20		P-10-20	
		Connecting Rod Bearing (Pair)	CB-1596P	6	CB-1596P	6
		Undersizes	P-10-20		P-10-20	
		Engine Full Gasket Set / Engine Cylinder Head Gasket Set	FS12197H	1	HS12197H	1
		Engine Valve Cover Gasket Set	VS39866	1	VS39866	1
		Engine Timing Cover Seal / Engine Oil Pan Gasket Set	47095	1	OS31977	1
Rear Main Seal	SS47870	1				

LINE #	NOTES	PART DESCRIPTION	OVERHAUL	QTY	IN-FRAME	QTY
9	Engine Code: '6-71' 6 Cyl, 7.0L / 426 CID, Bore 108.0mm / 4.250", Stroke 127.0mm / 5.000"; Supercharged					9
9.2	Turbocharged Engines 17.0:1 CR Contains Crosshead Piston 1.05" Port Height Sleeve For Steel Valve Cover OE Sleeve Assembly Number(s) 23522953 OE Rod Bearing Number(s) 23511129 OE Main Bearing Number(s); 5192874	Kit Number	468-1016		468-5016	
		Cylinder Sleeve Assembly	226-1945	6	226-1945	6
		Oversizes	STD-010		STD-010	
		Main Bearing Set	MS-271P	1	MS-271P	1
		Undersizes	P-10-20		P-10-20	
		Connecting Rod Bearing (Pair)	CB-1596P	6	CB-1596P	6
		Undersizes	P-10-20		P-10-20	
		Engine Full Gasket Set / Engine Cylinder Head Gasket Set	FS12197H	1	HS12197H	1
		Engine Valve Cover Gasket Set	VS39866	1	VS39866	1
		Engine Timing Cover Seal / Engine Oil Pan Gasket Set	47095	1	OS31977	1
Rear Main Seal	SS47870	1				
9.3	18.7:1 CR Naturally Aspirated Engines Contains Crosshead Piston For Aluminum Valve Cover OE Sleeve Assembly Number(s) 23522947 OE Rod Bearing Number(s) 23511129 OE Main Bearing Number(s); 5192874	Kit Number	468-1041		468-5041	
		Cylinder Sleeve Assembly	226-1946	6	226-1946	6
		Oversizes	STD-010		STD-010	
		Main Bearing Set	MS-271P	1	MS-271P	1
		Undersizes	P-10-20		P-10-20	
		Connecting Rod Bearing (Pair)	CB-1596P	6	CB-1596P	6
		Undersizes	P-10-20		P-10-20	
		Engine Full Gasket Set / Engine Cylinder Head Gasket Set	FS12197H	1	HS12197H	1
		Engine Valve Cover Gasket Set	VS39864	1	VS39864	1
		Engine Timing Cover Seal / Engine Oil Pan Gasket Set	47095	1	OS31977	1
Rear Main Seal	SS47870	1				
9.4	18.7:1 CR Naturally Aspirated Engines Contains Trunk Style Piston For Aluminum Valve Cover OE Sleeve Assembly Number(s) 23505306#2, 23505306#3 OE Rod Bearing Number(s) 23511129 OE Main Bearing Number(s); 5192874	Kit Number	468-1042		468-5042	
		Cylinder Sleeve Assembly	226-1633	6	226-1633	6
		Oversizes	STD-010		STD-010	
		Main Bearing Set	MS-271P	1	MS-271P	1
		Undersizes	P-10-20		P-10-20	
		Connecting Rod Bearing (Pair)	CB-1596P	6	CB-1596P	6
		Undersizes	P-10-20		P-10-20	
		Engine Full Gasket Set / Engine Cylinder Head Gasket Set	FS12197H	1	HS12197H	1
		Engine Valve Cover Gasket Set	VS39864	1	VS39864	1
		Engine Timing Cover Seal / Engine Oil Pan Gasket Set	47095	1	OS31977	1
Rear Main Seal	46843	1				

LINE #	NOTES	PART DESCRIPTION	OVERHAUL	QTY	IN-FRAME	QTY
9	Engine Code: '6-71' 6 Cyl, 7.0L / 426 CID, Bore 108.0mm / 4.250", Stroke 127.0mm / 5.000"; Supercharged					9
9.5	18.7:1 CR Naturally Aspirated Engines Contains Trunk Style Piston For Steel Valve Cover 4 Valve Cylinder Head OE Sleeve Assembly Number(s) 23505306#2, 23505306#3 OE Rod Bearing Number(s) 23511129 OE Main Bearing Number(s); 5192874	Kit Number	468-1043		468-5043	
		Cylinder Sleeve Assembly	226-1633	6	226-1633	6
		Oversizes	STD-010		STD-010	
		Main Bearing Set	MS-271P	1	MS-271P	1
		Undersizes	P-10-20		P-10-20	
		Connecting Rod Bearing (Pair)	CB-1596P	6	CB-1596P	6
		Undersizes	P-10-20		P-10-20	
		Engine Full Gasket Set / Engine Cylinder Head Gasket Set	FS12197H	1	HS12197H	1
		Engine Valve Cover Gasket Set	VS39866	1	VS39866	1
		Engine Timing Cover Seal / Engine Oil Pan Gasket Set	47095	1	OS31977	1
		Rear Main Seal	46843	1		

10	Engine Code: '60 Series (11.1L)' 6 Cyl, 11.1L / 677 CID, Bore 130.0mm / 5.118", Stroke 139.0mm / 5.472"; SOHC					10
10.1	Contains OE# 23532555 Sleeve Assembly Wide Bearing Top Liner Cooling-Liner 2.5MM Top Ring OE Main Bearing Number(s) 8929670, 8929680 OE Rod Bearing Number(s) 23515581	Kit Number	468-1128		468-5128	
		Cylinder Sleeve Assembly	226-1933	6	226-1933	6
		Main Bearing Set	MS-2093P	1	MS-2093P	1
		Undersizes	P-10-20		P-10-20	
		Connecting Rod Bearing (Pair)	CB-1792P	6	CB-1792P	6
		Undersizes	P-25MM		P-25MM	
		Thrust Washer Set	TW-600S	1	TW-600S	1
		Camshaft Bearing	SH-1986	7	SH-1986	7
		Engine Full Gasket Set / Engine Cylinder Head Gasket Set	FS54157	1	HS54157	1
		Engine Cylinder Head Bolt Set	GS33539	1	GS33539	1
		Engine Valve Cover Gasket Set	VS50278	1	VS50278	1
		Engine Oil Pan Gasket Set	OS32204	1	OS32204	1
		Fuel Injector Seal Kit	GS33448	6	GS33448	6

LINE #	NOTES	PART DESCRIPTION	OVERHAUL	QTY	IN-FRAME	QTY
10	Engine Code: '60 Series (11.1L)' 6 Cyl, 11.1L / 677 CID, Bore 130.0mm / 5.118", Stroke 139.0mm / 5.472"; SOHC					10
10.2	Basic Kit Contains OE# 23532555 Sleeve Assembly Wide Bearing OE Main Bearing Number(s) 8929670, 8929680 OE Rod Bearing Number(s) 23515581	Kit Number	468-1129		468-5129	
		Cylinder Sleeve Assembly	226-1933	6	226-1933	6
		Main Bearing Set	MS-2093P	1	MS-2093P	1
		Undersizes	P-10-20		P-10-20	
		Connecting Rod Bearing (Pair)	CB-1792P	6	CB-1792P	6
		Undersizes	P-25MM		P-25MM	
		Thrust Washer Set	TW-600S	1	TW-600S	1
		Engine Full Gasket Set / Engine Cylinder Head Gasket Set	FS54157	1	HS54157	1
		Engine Oil Pan Gasket Set	OS32204	1	OS32204	1
10.3	Basic Kit Contains OE#: 23532590 Sleeve Assembly Wide Bearing OE Main Bearing Number(s) 8929670, 8929680 OE Rod Bearing Number(s) 23515581	Kit Number	468-1131		468-5131	
		Cylinder Sleeve Assembly	226-2094	6	226-2094	6
		Main Bearing Set	MS-2093P	1	MS-2093P	1
		Undersizes	P-10-20		P-10-20	
		Connecting Rod Bearing (Pair)	CB-1792P	6	CB-1792P	6
		Undersizes	P-25MM		P-25MM	
		Thrust Washer Set	TW-600S	1	TW-600S	1
		Engine Full Gasket Set / Engine Cylinder Head Gasket Set	FS54157	1	HS54157	1
		Engine Oil Pan Gasket Set	OS32204	1	OS32204	1
Optional	OS32382	1	OS32382	1		
10.4	Basic Kit Contains OE#: 23532590 Sleeve Assembly Narrow Bearing OE Main Bearing Number(s) 8929670, 8929680 OE Rod Bearing Number(s) 8929710	Kit Number	468-1132		468-5132	
		Cylinder Sleeve Assembly	226-2094	6	226-2094	6
		Main Bearing Set	MS-2093P	1	MS-2093P	1
		Undersizes	P-10-20		P-10-20	
		Connecting Rod Bearing (Pair)	CB-1662P	6	CB-1662P	6
		Undersizes	P-10		P-10	
		Thrust Washer Set	TW-600S	1	TW-600S	1
		Engine Full Gasket Set / Engine Cylinder Head Gasket Set	FS54157	1	HS54157	1
		Engine Oil Pan Gasket Set	OS32204	1	OS32204	1
Optional	OS32382	1	OS32382	1		

LINE #	NOTES	PART DESCRIPTION	OVERHAUL	QTY	IN-FRAME	QTY
11	Engine Code: '60 Series (12.7L)' 6 Cyl, 12.7L / 778 CID, Bore 130.0mm / 5.118", Stroke 160.0mm / 6.299"; Turbocharged, SOHC					11
11.1	Premium Kit Contains OE# 23532561 Sleeve Assembly 17.5:1 CR 22MM Piston Pin 2.5MM Top Ring OE Main Bearing Number(s) 8929670, 8929680 OE Rod Bearing Number(s) 23526142	Kit Number	468-1094	468-5094		
		Cylinder Sleeve Assembly	226-1990	6	226-1990	6
		Main Bearing Set	MS-2093P	1	MS-2093P	1
		Undersizes	P-10-20		P-10-20	
		Connecting Rod Bearing (Pair)	CB-1836P	6	CB-1836P	6
		Undersizes	P-25MM-50MM		P-25MM-50MM	
		Thrust Washer Set	TW-600S	1	TW-600S	1
		Camshaft Bearing	SH-1986	7	SH-1986	7
		Engine Full Gasket Set / Engine Cylinder Head Gasket Set	FS54157	1	HS54157	1
		Engine Cylinder Head Bolt Set	GS33539	1	GS33539	1
		Engine Valve Cover Gasket Set	VS50278	1	VS50278	1
		Engine Oil Pan Gasket Set	OS32204	1	OS32204	1
		Fuel Injector Seal Kit	GS33448	6	GS33448	6
		Engine Timing Cover Seal	67745	1		
Rear Main Seal	67744	1				
11.2	Basic Kit Contains OE# 23532561 Sleeve Assembly 17.5:1 CR 22MM Piston Pin 2.5MM Top Ring OE Main Bearing Number(s) 8929670, 8929680 OE Rod Bearing Number(s) 23526142	Kit Number	468-1095	468-5095		
		Cylinder Sleeve Assembly	226-1990	6	226-1990	6
		Main Bearing Set	MS-2093P	1	MS-2093P	1
		Undersizes	P-10-20		P-10-20	
		Connecting Rod Bearing (Pair)	CB-1836P	6	CB-1836P	6
		Undersizes	P-25MM-50MM		P-25MM-50MM	
		Thrust Washer Set	TW-600S	1	TW-600S	1
		Engine Full Gasket Set / Engine Cylinder Head Gasket Set	FS54157	1	HS54157	1
		Engine Oil Pan Gasket Set	OS32204	1	OS32204	1
		11.3	Basic Kit Contains OE# 23532883 Sleeve Assembly 17.5:1 CR 26MM Piston Pin 2.5MM Top Ring OE Main Bearing Number(s) 8929670, 8929680 OE Rod Bearing Number(s) 23526142	Kit Number	468-1096	468-5096
Cylinder Sleeve Assembly	226-1991			6	226-1991	6
Main Bearing Set	MS-2093P			1	MS-2093P	1
Undersizes	P-10-20				P-10-20	
Connecting Rod Bearing (Pair)	CB-1836P			6	CB-1836P	6
Undersizes	P-25MM-50MM				P-25MM-50MM	
Thrust Washer Set	TW-600S			1	TW-600S	1
Engine Full Gasket Set / Engine Cylinder Head Gasket Set	FS54157			1	HS54157	1
Engine Oil Pan Gasket Set	OS32204			1	OS32204	1

LINE #	NOTES	PART DESCRIPTION	OVERHAUL	QTY	IN-FRAME	QTY
11	Engine Code: '60 Series (12.7L)' 6 Cyl, 12.7L / 778 CID, Bore 130.0mm / 5.118", Stroke 160.0mm / 6.299"; Turbocharged, SOHC					11
11.4	Basic Kit Contains OE# 23532562 Sleeve Assembly 16.5:1 CR 22MM Piston Pin 2.5MM Top Ring OE Main Bearing Number(s) 8929670, 8929680 OE Rod Bearing Number(s) 23526142	Kit Number	468-1097		468-5097	
		Cylinder Sleeve Assembly	226-1992	6	226-1992	6
		Main Bearing Set	MS-2093P	1	MS-2093P	1
		Undersizes	P-10-20		P-10-20	
		Connecting Rod Bearing (Pair)	CB-1836P	6	CB-1836P	6
		Undersizes	P-25MM-50MM		P-25MM-50MM	
		Thrust Washer Set	TW-600S	1	TW-600S	1
		Engine Full Gasket Set / Engine Cylinder Head Gasket Set	FS54157	1	HS54157	1
		Engine Oil Pan Gasket Set	OS32204	1	OS32204	1
		11.5	Basic Kit Contains OE# 23532885 Sleeve Assembly 16.5:1 CR 26MM Piston Pin 2.5MM Top Ring OE Main Bearing Number(s) 8929670, 8929680 OE Rod Bearing Number(s) 23526142	Kit Number	468-1098	
Cylinder Sleeve Assembly	226-1993			6	226-1993	6
Main Bearing Set	MS-2093P			1	MS-2093P	1
Undersizes	P-10-20				P-10-20	
Connecting Rod Bearing (Pair)	CB-1836P			6	CB-1836P	6
Undersizes	P-25MM-50MM				P-25MM-50MM	
Thrust Washer Set	TW-600S			1	TW-600S	1
Engine Full Gasket Set / Engine Cylinder Head Gasket Set	FS54157			1	HS54157	1
Engine Oil Pan Gasket Set	OS32204			1	OS32204	1
11.6	Premium Kit Contains OE# 23532883 Sleeve Assembly 17.5:1 CR 26MM Piston Pin 2.5MM Top Ring OE Main Bearing Number(s) 8929670, 8929680 OE Rod Bearing Number(s) 23526142			Kit Number	468-1099	
		Cylinder Sleeve Assembly	226-1991	6	226-1991	6
		Main Bearing Set	MS-2093P	1	MS-2093P	1
		Undersizes	P-10-20		P-10-20	
		Connecting Rod Bearing (Pair)	CB-1836P	6	CB-1836P	6
		Undersizes	P-25MM-50MM		P-25MM-50MM	
		Thrust Washer Set	TW-600S	1	TW-600S	1
		Camshaft Bearing	SH-1986	7	SH-1986	7
		Engine Full Gasket Set / Engine Cylinder Head Gasket Set	FS54157	1	HS54157	1
		Engine Cylinder Head Bolt Set	GS33539	1	GS33539	1
		Engine Valve Cover Gasket Set	VS50278	1	VS50278	1
		Engine Oil Pan Gasket Set	OS32204	1	OS32204	1
		Fuel Injector Seal Kit	GS33448	6	GS33448	6
		Engine Timing Cover Seal	67745	1		
		Rear Main Seal	67744	1		

LINE #	NOTES	PART DESCRIPTION	OVERHAUL	QTY	IN-FRAME	QTY
11	Engine Code: '60 Series (12.7L)'					11
		6 Cyl, 12.7L / 778 CID, Bore 130.0mm / 5.118", Stroke 160.0mm / 6.299"; Turbocharged, SOHC				
11.7	Premium Kit Contains OE# 23532562 Sleeve Assembly 16.5:1 CR 22MM Piston Pin 2.5MM Top Ring OE Main Bearing Number(s) 8929670, 8929680 OE Rod Bearing Number(s) 23526142	Kit Number	468-1100	468-5100		
		Cylinder Sleeve Assembly	226-1992	6	226-1992	6
		Main Bearing Set	MS-2093P	1	MS-2093P	1
		Undersizes	P-10-20		P-10-20	
		Connecting Rod Bearing (Pair)	CB-1836P	6	CB-1836P	6
		Undersizes	P-25MM-50MM		P-25MM-50MM	
		Thrust Washer Set	TW-600S	1	TW-600S	1
		Camshaft Bearing	SH-1986	7	SH-1986	7
		Engine Full Gasket Set / Engine Cylinder Head Gasket Set	FS54157	1	HS54157	1
		Engine Cylinder Head Bolt Set	GS33539	1	GS33539	1
		Engine Valve Cover Gasket Set	VS50278	1	VS50278	1
		Optional	VS50404	1	VS50404	1
		Engine Oil Pan Gasket Set	OS32204	1	OS32204	1
		Optional	OS32382	1	OS32382	1
		Fuel Injector Seal Kit	GS33448	6	GS33448	6
		Engine Timing Cover Seal	67745	1		
		Rear Main Seal	67744	1		
11.8	Premium Kit Contains OE# 23532885 Sleeve Assembly 16.5:1 CR 26MM Piston Pin 2.5MM Top Ring OE Main Bearing Number(s) 8929670, 8929680 OE Rod Bearing Number(s) 23526142	Kit Number	468-1101	468-5101		
		Cylinder Sleeve Assembly	226-1993	6	226-1993	6
		Main Bearing Set	MS-2093P	1	MS-2093P	1
		Undersizes	P-10-20		P-10-20	
		Connecting Rod Bearing (Pair)	CB-1836P	6	CB-1836P	6
		Undersizes	P-25MM-50MM		P-25MM-50MM	
		Thrust Washer Set	TW-600S	1	TW-600S	1
		Camshaft Bearing	SH-1986	7	SH-1986	7
		Engine Full Gasket Set / Engine Cylinder Head Gasket Set	FS54157	1	HS54157	1
		Engine Cylinder Head Bolt Set	GS33539	1	GS33539	1
		Engine Valve Cover Gasket Set	VS50278	1	VS50278	1
		Engine Oil Pan Gasket Set	OS32204	1	OS32204	1
		Fuel Injector Seal Kit	GS33448	6	GS33448	6
		Engine Timing Cover Seal	67745	1		
		Rear Main Seal	67744	1		

LINE #	NOTES	PART DESCRIPTION	OVERHAUL	QTY	IN-FRAME	QTY
11	Engine Code: '60 Series (12.7L)' 6 Cyl, 12.7L / 778 CID, Bore 130.0mm / 5.118", Stroke 160.0mm / 6.299"; Turbocharged, SOHC					11
11.9	Contains OE# 23532555 Sleeve Assembly Wide Bearing Top Liner Cooling-Liner 2.5MM Top Ring OE Main Bearing Number(s) 8929670, 8929680 OE Rod Bearing Number(s) 23515581	Kit Number	468-1128	468-5128		
		Cylinder Sleeve Assembly	226-1933	6	226-1933	6
		Main Bearing Set	MS-2093P	1	MS-2093P	1
		Undersizes	P-10-20		P-10-20	
		Connecting Rod Bearing (Pair)	CB-1792P	6	CB-1792P	6
		Undersizes	P-25MM		P-25MM	
		Thrust Washer Set	TW-600S	1	TW-600S	1
		Camshaft Bearing	SH-1986	7	SH-1986	7
		Engine Full Gasket Set / Engine Cylinder Head Gasket Set	FS54157	1	HS54157	1
		Engine Cylinder Head Bolt Set	GS33539	1	GS33539	1
		Engine Valve Cover Gasket Set	VS50278	1	VS50278	1
		Engine Oil Pan Gasket Set	OS32204	1	OS32204	1
		Fuel Injector Seal Kit	GS33448	6	GS33448	6
		11.10	Basic Kit Contains OE# 23532555 Sleeve Assembly Wide Bearing OE Main Bearing Number(s) 8929670, 8929680 OE Rod Bearing Number(s) 23515581	Kit Number	468-1129	468-5129
Cylinder Sleeve Assembly	226-1933			6	226-1933	6
Main Bearing Set	MS-2093P			1	MS-2093P	1
Undersizes	P-10-20				P-10-20	
Connecting Rod Bearing (Pair)	CB-1792P			6	CB-1792P	6
Undersizes	P-25MM				P-25MM	
Thrust Washer Set	TW-600S			1	TW-600S	1
Engine Full Gasket Set / Engine Cylinder Head Gasket Set	FS54157			1	HS54157	1
Engine Oil Pan Gasket Set	OS32204			1	OS32204	1
11.11	Basic Kit Contains OE#: 23532590 Sleeve Assembly Wide Bearing OE Main Bearing Number(s) 8929670, 8929680 OE Rod Bearing Number(s) 23515581			Kit Number	468-1131	468-5131
		Cylinder Sleeve Assembly	226-2094	6	226-2094	6
		Main Bearing Set	MS-2093P	1	MS-2093P	1
		Undersizes	P-10-20		P-10-20	
		Connecting Rod Bearing (Pair)	CB-1792P	6	CB-1792P	6
		Undersizes	P-25MM		P-25MM	
		Thrust Washer Set	TW-600S	1	TW-600S	1
		Engine Full Gasket Set / Engine Cylinder Head Gasket Set	FS54157	1	HS54157	1
		Engine Oil Pan Gasket Set	OS32204	1	OS32204	1
		Optional	OS32382	1	OS32382	1

LINE #	NOTES	PART DESCRIPTION	OVERHAUL	QTY	IN-FRAME	QTY
11	Engine Code: '60 Series (12.7L)' 6 Cyl, 12.7L / 778 CID, Bore 130.0mm / 5.118", Stroke 160.0mm / 6.299"; Turbocharged, SOHC					11
11.12	Basic Kit Contains OE#: 23532590 Sleeve Assembly Narrow Bearing OE Main Bearing Number(s) 8929670, 8929680 OE Rod Bearing Number(s) 8929710	Kit Number	468-1132	468-5132		
		Cylinder Sleeve Assembly	226-2094	6	226-2094	6
		Main Bearing Set	MS-2093P	1	MS-2093P	1
		Undersizes	P-10-20		P-10-20	
		Connecting Rod Bearing (Pair)	CB-1662P	6	CB-1662P	6
		Undersizes	P-10		P-10	
		Thrust Washer Set	TW-600S	1	TW-600S	1
		Engine Full Gasket Set / Engine Cylinder Head Gasket Set	FS54157	1	HS54157	1
		Engine Oil Pan Gasket Set	OS32204	1	OS32204	1
		Optional	OS32382	1	OS32382	1

12	Engine Code: '60 Series (14.0L)' 6 Cyl, 14.0L / 855 CID, Bore 133.1mm / 5.240", Stroke 167.9mm / 6.610"; Turbocharged, SOHC					12
12.1	Basic Kit Contains OE# 23530661 Sleeve Assembly 17.5:1 CR Bushingless OE Main Bearing Number(s) 8929670, 8929680 OE Rod Bearing Number(s) 23526141	Kit Number	468-1104	468-5104		
		Cylinder Sleeve Assembly	226-2043	6	226-2043	6
		Main Bearing Set	MS-2093P	1	MS-2093P	1
		Undersizes	P-10-20		P-10-20	
		Connecting Rod Bearing (Pair)	CB-1902P	6	CB-1902P	6
		Undersizes	P-25MM-50MM		P-25MM-50MM	
		Thrust Washer Set	TW-600S	1	TW-600S	1
		Engine Full Gasket Set / Engine Cylinder Head Gasket Set	FS54157-A	1	HS54157	1
		Engine Oil Pan Gasket Set	OS32204	1	OS32204	1
		Optional	OS32382	1	OS32382	1
12.2	Basic Kit Contains OE# 23530663 Sleeve Assembly 16.0:1 CR Oval Piston Design Bushingless OE Main Bearing Number(s) 8929670, 8929680 OE Rod Bearing Number(s) 23526141	Kit Number	468-1105	468-5105		
		Cylinder Sleeve Assembly	226-2044	6	226-2044	6
		Main Bearing Set	MS-2093P	1	MS-2093P	1
		Undersizes	P-10-20		P-10-20	
		Connecting Rod Bearing (Pair)	CB-1902P	6	CB-1902P	6
		Undersizes	P-25MM-50MM		P-25MM-50MM	
		Thrust Washer Set	TW-600S	1	TW-600S	1
		Engine Full Gasket Set / Engine Cylinder Head Gasket Set	FS54157-A	1	HS54157	1
		Engine Oil Pan Gasket Set	OS32204	1	OS32204	1
		Optional	OS32382	1	OS32382	1

LINE #	NOTES	PART DESCRIPTION	OVERHAUL	QTY	IN-FRAME	QTY
12	Engine Code: '60 Series (14.0L)' 6 Cyl, 14.0L / 855 CID, Bore 133.1mm / 5.240", Stroke 167.9mm / 6.610"; Turbocharged, SOHC					12
12.3	Basic Kit Contains OE# 23530665 Sleeve Assembly 16.0:1 CR Cut Back Design OE Main Bearing Number(s) 8929670, 8929680 OE Rod Bearing Number(s) 23526141	Kit Number	468-1106		468-5106	
		Cylinder Sleeve Assembly	226-2045	6	226-2045	6
		Main Bearing Set	MS-2093P	1	MS-2093P	1
		Undersizes	P-10-20		P-10-20	
		Connecting Rod Bearing (Pair)	CB-1902P	6	CB-1902P	6
		Undersizes	P-25MM-50MM		P-25MM-50MM	
		Thrust Washer Set	TW-600S	1	TW-600S	1
		Engine Full Gasket Set / Engine Cylinder Head Gasket Set	FS54157-A	1	HS54157	1
		Engine Oil Pan Gasket Set	OS32204	1	OS32204	1
		Optional	OS32382	1	OS32382	1
12.4	Basic Kit Contains OE# 23533452 Sleeve Assembly 15.1:1 CR Marine 3MM Top Ring OE Main Bearing Number(s) 8929670, 8929680 OE Rod Bearing Number(s) 23526141	Kit Number	468-1107		468-5107	
		Cylinder Sleeve Assembly	226-2046	6	226-2046	6
		Main Bearing Set	MS-2093P	1	MS-2093P	1
		Undersizes	P-10-20		P-10-20	
		Connecting Rod Bearing (Pair)	CB-1902P	6	CB-1902P	6
		Undersizes	P-25MM-50MM		P-25MM-50MM	
		Thrust Washer Set	TW-600S	1	TW-600S	1
		Engine Full Gasket Set / Engine Cylinder Head Gasket Set	FS54157-A	1	HS54157	1
		Engine Oil Pan Gasket Set	OS32204	1	OS32204	1
		Optional	OS32382	1	OS32382	1
12.5	Basic Kit Contains OE# 23530661 Sleeve Assembly 17.5:1 CR Bushingless With Machined Notches In Bearing Caps OE Main Bearing Number(s) 8929670 OE Rod Bearing Number(s) 23526141	Kit Number	468-1108		468-5108	
		Cylinder Sleeve Assembly	226-2043	6	226-2043	6
		Main Bearing Set	MS-2310P	1	MS-2310P	1
		Undersizes	P-10-20		P-10-20	
		Connecting Rod Bearing (Pair)	CB-1902P	6	CB-1902P	6
		Undersizes	P-25MM-50MM		P-25MM-50MM	
		Thrust Washer Set	TW-696S	1	TW-696S	1
		Engine Full Gasket Set / Engine Cylinder Head Gasket Set	FS54157-A	1	HS54157	1
		Engine Oil Pan Gasket Set	OS32204	1	OS32204	1
		Optional	OS32382	1	OS32382	1

LINE #	NOTES	PART DESCRIPTION	OVERHAUL	QTY	IN-FRAME	QTY
12	Engine Code: '60 Series (14.0L)'					12
		6 Cyl, 14.0L / 855 CID, Bore 133.1mm / 5.240", Stroke 167.9mm / 6.610"; Turbocharged, SOHC				
12.6	Basic Kit Contains OE# 23530663 Sleeve Assembly With Machined Notches In Bearing Caps 16.0:1 CR Oval Piston Design Bushingless OE Main Bearing Number(s) 8929670 OE Rod Bearing Number(s) 23526141	Kit Number	468-1109	468-5109		
		Cylinder Sleeve Assembly	226-2044	6	226-2044	6
		Main Bearing Set	MS-2310P	1	MS-2310P	1
		Undersizes	P-10-20		P-10-20	
		Connecting Rod Bearing (Pair)	CB-1902P	6	CB-1902P	6
		Undersizes	P-25MM-50MM		P-25MM-50MM	
		Thrust Washer Set	TW-696S	1	TW-696S	1
		Engine Full Gasket Set / Engine Cylinder Head Gasket Set	FS54157-A	1	HS54157	1
		Engine Oil Pan Gasket Set	OS32204	1	OS32204	1
		Optional	OS32382	1	OS32382	1
12.7	Basic Kit Contains OE# 23530665 Sleeve Assembly With Machined Notches In Bearing Caps 16.0:1 CR Cut Back Design OE Main Bearing Number(s) 8929670 OE Rod Bearing Number(s) 23526141	Kit Number	468-1110	468-5110		
		Cylinder Sleeve Assembly	226-2045	6	226-2045	6
		Main Bearing Set	MS-2310P	1	MS-2310P	1
		Undersizes	P-10-20		P-10-20	
		Connecting Rod Bearing (Pair)	CB-1902P	6	CB-1902P	6
		Undersizes	P-25MM-50MM		P-25MM-50MM	
		Thrust Washer Set	TW-696S	1	TW-696S	1
		Engine Full Gasket Set / Engine Cylinder Head Gasket Set	FS54157-A	1	HS54157	1
		Engine Oil Pan Gasket Set	OS32204	1	OS32204	1
		Optional	OS32382	1	OS32382	1
12.8	Basic Kit Contains OE# 23533452 Sleeve Assembly With Machined Notches In Bearing Caps 15.1:1 CR Marine 3MM Top Ring OE Main Bearing Number(s) 8929670 OE Rod Bearing Number(s) 23526141	Kit Number	468-1111	468-5111		
		Cylinder Sleeve Assembly	226-2046	6	226-2046	6
		Main Bearing Set	MS-2310P	1	MS-2310P	1
		Undersizes	P-10-20		P-10-20	
		Connecting Rod Bearing (Pair)	CB-1902P	6	CB-1902P	6
		Undersizes	P-25MM-50MM		P-25MM-50MM	
		Thrust Washer Set	TW-696S	1	TW-696S	1
		Engine Full Gasket Set / Engine Cylinder Head Gasket Set	FS54157-A	1	HS54157	1
		Engine Oil Pan Gasket Set	OS32204	1	OS32204	1
		Optional	OS32382	1	OS32382	1

LINE #	NOTES	PART DESCRIPTION	OVERHAUL	QTY	IN-FRAME	QTY
12	Engine Code: '60 Series (14.0L)' 6 Cyl, 14.0L / 855 CID, Bore 133.1mm / 5.240", Stroke 167.9mm / 6.610"; Turbocharged, SOHC					12
12.9	Basic Kit Contains OE# 23530661 Sleeve Assembly Without Machined Notches In Bearing Caps 17.5:1 CR Bushingleess OE Main Bearing Number(s) 8929670 OE Rod Bearing Number(s) 23526141	Kit Number	468-1112		468-5112	
		Cylinder Sleeve Assembly	226-2043	6	226-2043	6
		Main Bearing Set	MS-2313P	1	MS-2313P	1
		Undersizes	P-10-20		P-10-20	
		Connecting Rod Bearing (Pair)	CB-1902P	6	CB-1902P	6
		Undersizes	P-25MM-50MM		P-25MM-50MM	
		Thrust Washer Set	TW-700S	1	TW-700S	1
		Engine Full Gasket Set / Engine Cylinder Head Gasket Set	FS54157-A	1	HS54157	1
		Engine Oil Pan Gasket Set	OS32204	1	OS32204	1
		Optional	OS32382	1	OS32382	1
12.10	Basic Kit Contains OE# 23530663 Sleeve Assembly Without Machined Notches In Bearing Caps 16.0:1 CR Oval Piston Design Bushingleess OE Main Bearing Number(s) 8929670 OE Rod Bearing Number(s) 23526141	Kit Number	468-1113		468-5113	
		Cylinder Sleeve Assembly	226-2044	6	226-2044	6
		Main Bearing Set	MS-2313P	1	MS-2313P	1
		Undersizes	P-10-20		P-10-20	
		Connecting Rod Bearing (Pair)	CB-1902P	6	CB-1902P	6
		Undersizes	P-25MM-50MM		P-25MM-50MM	
		Thrust Washer Set	TW-700S	1	TW-700S	1
		Engine Full Gasket Set / Engine Cylinder Head Gasket Set	FS54157-A	1	HS54157	1
		Engine Oil Pan Gasket Set	OS32204	1	OS32204	1
		Optional	OS32382	1	OS32382	1
12.11	Basic Kit Contains OE# 23530665 Sleeve Assembly Without Machined Notches In Bearing Caps 16.0:1 CR Cut Back Design OE Main Bearing Number(s) 8929670 OE Rod Bearing Number(s) 23526141	Kit Number	468-1114		468-5114	
		Cylinder Sleeve Assembly	226-2045	6	226-2045	6
		Main Bearing Set	MS-2313P	1	MS-2313P	1
		Undersizes	P-10-20		P-10-20	
		Connecting Rod Bearing (Pair)	CB-1902P	6	CB-1902P	6
		Undersizes	P-25MM-50MM		P-25MM-50MM	
		Thrust Washer Set	TW-700S	1	TW-700S	1
		Engine Full Gasket Set / Engine Cylinder Head Gasket Set	FS54157-A	1	HS54157	1
		Engine Oil Pan Gasket Set	OS32204	1	OS32204	1
		Optional	OS32382	1	OS32382	1

LINE #	NOTES	PART DESCRIPTION	OVERHAUL	QTY	IN-FRAME	QTY
12	Engine Code: '60 Series (14.0L)'					12
		6 Cyl, 14.0L / 855 CID, Bore 133.1mm / 5.240", Stroke 167.9mm / 6.610"; Turbocharged, SOHC				
12.12	Basic Kit Contains OE# 23533452 Sleeve Assembly Without Machined Notches In Bearing Caps 15.1:1 CR Marine 3MM Top Ring OE Main Bearing Number(s) 8929670 OE Rod Bearing Number(s) 23526141	Kit Number	468-1115		468-5115	
		Cylinder Sleeve Assembly	226-2046	6	226-2046	6
		Main Bearing Set	MS-2313P	1	MS-2313P	1
		Undersizes	P-10-20		P-10-20	
		Connecting Rod Bearing (Pair)	CB-1902P	6	CB-1902P	6
		Undersizes	P-25MM-50MM		P-25MM-50MM	
		Thrust Washer Set	TW-700S	1	TW-700S	1
		Engine Full Gasket Set / Engine Cylinder Head Gasket Set	FS54157-A	1	HS54157	1
		Engine Oil Pan Gasket Set	OS32204	1	OS32204	1
		Optional	OS32382	1	OS32382	1
12.13	Premium Kit Contains OE# 23530661 Sleeve Assembly 17.5:1 CR Bushingless OE Main Bearing Number(s) 8929670, 8929680 OE Rod Bearing Number(s) 23526141	Kit Number	468-1116		468-5116	
		Cylinder Sleeve Assembly	226-2043	6	226-2043	6
		Main Bearing Set	MS-2093P	1	MS-2093P	1
		Undersizes	P-10-20		P-10-20	
		Connecting Rod Bearing (Pair)	CB-1902P	6	CB-1902P	6
		Undersizes	P-25MM-50MM		P-25MM-50MM	
		Thrust Washer Set	TW-600S	1	TW-600S	1
		Camshaft Bearing	SH-1986	7	SH-1986	7
		Engine Full Gasket Set / Engine Cylinder Head Gasket Set	FS54157-A	1	HS54157	1
		Engine Cylinder Head Bolt Set	GS33539	1	GS33539	1
		Engine Valve Cover Gasket Set	VS50278	1	VS50278	1
		Optional	VS50404	1	VS50404	1
		Engine Oil Pan Gasket Set	OS32204	1	OS32204	1
		Optional	OS32382	1	OS32382	1
		Engine Timing Cover Seal / Fuel Injector Seal Kit	67745	1	GS33633	6
Rear Main Seal	67744	1				

LINE #	NOTES	PART DESCRIPTION	OVERHAUL	QTY	IN-FRAME	QTY
12	Engine Code: '60 Series (14.0L)' 6 Cyl, 14.0L / 855 CID, Bore 133.1mm / 5.240", Stroke 167.9mm / 6.610"; Turbocharged, SOHC					12
12.14	Premium Kit Contains OE# 23530663 Sleeve Assembly 16.0:1 CR Oval Piston Design Bushingless OE Main Bearing Number(s) 8929670, 8929680 OE Rod Bearing Number(s) 23526141	Kit Number	468-1117		468-5117	
		Cylinder Sleeve Assembly	226-2044	6	226-2044	6
		Main Bearing Set	MS-2093P	1	MS-2093P	1
		Undersizes	P-10-20		P-10-20	
		Connecting Rod Bearing (Pair)	CB-1902P	6	CB-1902P	6
		Undersizes	P-25MM-50MM		P-25MM-50MM	
		Thrust Washer Set	TW-600S	1	TW-600S	1
		Camshaft Bearing	SH-1986	7	SH-1986	7
		Engine Full Gasket Set / Engine Cylinder Head Gasket Set	FS54157-A	1	HS54157	1
		Engine Cylinder Head Bolt Set	GS33539	1	GS33539	1
		Engine Valve Cover Gasket Set	VS50278	1	VS50278	1
		Optional	VS50404	1	VS50404	1
		Engine Oil Pan Gasket Set	OS32204	1	OS32204	1
		Optional	OS32382	1	OS32382	1
		Engine Timing Cover Seal / Fuel Injector Seal Kit	67745	1	GS33633	6
Rear Main Seal	67744	1				
12.15	Premium Kit Contains OE# 23530665 Sleeve Assembly 16.0:1 CR Cut Back Design OE Main Bearing Number(s) 8929670, 8929680 OE Rod Bearing Number(s) 23526141	Kit Number	468-1118		468-5118	
		Cylinder Sleeve Assembly	226-2045	6	226-2045	6
		Main Bearing Set	MS-2093P	1	MS-2093P	1
		Undersizes	P-10-20		P-10-20	
		Connecting Rod Bearing (Pair)	CB-1902P	6	CB-1902P	6
		Undersizes	P-25MM-50MM		P-25MM-50MM	
		Thrust Washer Set	TW-600S	1	TW-600S	1
		Camshaft Bearing	SH-1986	7	SH-1986	7
		Engine Full Gasket Set / Engine Cylinder Head Gasket Set	FS54157-A	1	HS54157	1
		Engine Cylinder Head Bolt Set	GS33539	1	GS33539	1
		Engine Valve Cover Gasket Set	VS50278	1	VS50278	1
		Optional	VS50404	1	VS50404	1
		Engine Oil Pan Gasket Set	OS32204	1	OS32204	1
		Optional	OS32382	1	OS32382	1
		Engine Timing Cover Seal / Fuel Injector Seal Kit	67745	1	GS33633	6
Rear Main Seal	67744	1				

LINE #	NOTES	PART DESCRIPTION	OVERHAUL	QTY	IN-FRAME	QTY
12	Engine Code: '60 Series (14.0L)'					12
		6 Cyl, 14.0L / 855 CID, Bore 133.1mm / 5.240", Stroke 167.9mm / 6.610"; Turbocharged, SOHC				
12.16	Premium Kit Contains OE# 23533452 Sleeve Assembly 15.1:1 CR Marine 3MM Top Ring OE Main Bearing Number(s) 8929670, 8929680 OE Rod Bearing Number(s) 23526141	Kit Number	468-1119		468-5119	
		Cylinder Sleeve Assembly	226-2046	6	226-2046	6
		Main Bearing Set	MS-2093P	1	MS-2093P	1
		Undersizes	P-10-20		P-10-20	
		Connecting Rod Bearing (Pair)	CB-1902P	6	CB-1902P	6
		Undersizes	P-25MM-50MM		P-25MM-50MM	
		Thrust Washer Set	TW-600S	1	TW-600S	1
		Camshaft Bearing	SH-1986	7	SH-1986	7
		Engine Full Gasket Set / Engine Cylinder Head Gasket Set	FS54157-A	1	HS54157	1
		Engine Cylinder Head Bolt Set	GS33539	1	GS33539	1
		Engine Valve Cover Gasket Set	VS50278	1	VS50278	1
		Optional	VS50404	1	VS50404	1
		Engine Oil Pan Gasket Set	OS32204	1	OS32204	1
		Optional	OS32382	1	OS32382	1
		Engine Timing Cover Seal / Fuel Injector Seal Kit	67745	1	GS33633	6
		Rear Main Seal	67744	1		
12.17	Premium Kit Contains OE# 23530661 Sleeve Assembly With Machined Notches In Bearing Caps 17.5:1 CR Bushingless OE Main Bearing Number(s) 8929670 OE Rod Bearing Number(s) 23526141	Kit Number	468-1120		468-5120	
		Cylinder Sleeve Assembly	226-2043	6	226-2043	6
		Main Bearing Set	MS-2310P	1	MS-2310P	1
		Undersizes	P-10-20		P-10-20	
		Connecting Rod Bearing (Pair)	CB-1902P	6	CB-1902P	6
		Undersizes	P-25MM-50MM		P-25MM-50MM	
		Thrust Washer Set	TW-696S	1	TW-696S	1
		Camshaft Bearing	SH-1986	7	SH-1986	7
		Engine Full Gasket Set / Engine Cylinder Head Gasket Set	FS54157-A	1	HS54157	1
		Engine Cylinder Head Bolt Set	GS33539	1	GS33539	1
		Engine Valve Cover Gasket Set	VS50278	1	VS50278	1
		Optional	VS50404	1	VS50404	1
		Engine Oil Pan Gasket Set	OS32204	1	OS32204	1
		Optional	OS32382	1	OS32382	1
		Engine Timing Cover Seal / Fuel Injector Seal Kit	67745	1	GS33633	6
		Rear Main Seal	67744	1		

LINE #	NOTES	PART DESCRIPTION	OVERHAUL	QTY	IN-FRAME	QTY
12	Engine Code: '60 Series (14.0L)' 6 Cyl, 14.0L / 855 CID, Bore 133.1mm / 5.240", Stroke 167.9mm / 6.610"; Turbocharged, SOHC					12
12.18	Premium Kit Contains OE# 23530663 Sleeve Assembly With Machined Notches In Bearing Caps 16.0:1 CR Bushingless Oval Piston Design OE Main Bearing Number(s) 8929670 OE Rod Bearing Number(s) 23526141	Kit Number	468-1121		468-5121	
		Cylinder Sleeve Assembly	226-2044	6	226-2044	6
		Main Bearing Set	MS-2310P	1	MS-2310P	1
		Undersizes	P-10-20		P-10-20	
		Connecting Rod Bearing (Pair)	CB-1902P	6	CB-1902P	6
		Undersizes	P-25MM-50MM		P-25MM-50MM	
		Thrust Washer Set	TW-696S	1	TW-696S	1
		Camshaft Bearing	SH-1986	7	SH-1986	7
		Engine Full Gasket Set / Engine Cylinder Head Gasket Set	FS54157-A	1	HS54157	1
		Engine Cylinder Head Bolt Set	GS33539	1	GS33539	1
		Engine Valve Cover Gasket Set	VS50278	1	VS50278	1
		Optional	VS50404	1	VS50404	1
		Engine Oil Pan Gasket Set	OS32204	1	OS32204	1
		Optional	OS32382	1	OS32382	1
		Engine Timing Cover Seal / Fuel Injector Seal Kit	67745	1	GS33633	6
		Rear Main Seal	67744	1		
12.19	Premium Kit Contains OE# 23530665 Sleeve Assembly With Machined Notches In Bearing Caps 16.0:1 CR Cut Back Design OE Main Bearing Number(s) 8929670 OE Rod Bearing Number(s) 23526141	Kit Number	468-1122		468-5122	
		Cylinder Sleeve Assembly	226-2045	6	226-2045	6
		Main Bearing Set	MS-2310P	1	MS-2310P	1
		Undersizes	P-10-20		P-10-20	
		Connecting Rod Bearing (Pair)	CB-1902P	6	CB-1902P	6
		Undersizes	P-25MM-50MM		P-25MM-50MM	
		Thrust Washer Set	TW-696S	1	TW-696S	1
		Camshaft Bearing	SH-1986	7	SH-1986	7
		Engine Full Gasket Set / Engine Cylinder Head Gasket Set	FS54157-A	1	HS54157	1
		Engine Cylinder Head Bolt Set	GS33539	1	GS33539	1
		Engine Valve Cover Gasket Set	VS50278	1	VS50278	1
		Optional	VS50404	1	VS50404	1
		Engine Oil Pan Gasket Set	OS32204	1	OS32204	1
		Optional	OS32382	1	OS32382	1
		Engine Timing Cover Seal / Fuel Injector Seal Kit	67745	1	GS33633	6
		Rear Main Seal	67744	1		

LINE #	NOTES	PART DESCRIPTION	OVERHAUL	QTY	IN-FRAME	QTY
12	Engine Code: '60 Series (14.0L)'					12
		6 Cyl, 14.0L / 855 CID, Bore 133.1mm / 5.240", Stroke 167.9mm / 6.610"; Turbocharged, SOHC				
12.20	Premium Kit Contains OE# 23533452 Sleeve Assembly With Machined Notches In Bearing Caps 15.1:1 CR Marine 3MM Top Ring OE Main Bearing Number(s) 8929670 OE Rod Bearing Number(s) 23526141	Kit Number	468-1123		468-5123	
		Cylinder Sleeve Assembly	226-2046	6	226-2046	6
		Main Bearing Set	MS-2310P	1	MS-2310P	1
		Undersizes	P-10-20		P-10-20	
		Connecting Rod Bearing (Pair)	CB-1902P	6	CB-1902P	6
		Undersizes	P-25MM-50MM		P-25MM-50MM	
		Thrust Washer Set	TW-696S	1	TW-696S	1
		Camshaft Bearing	SH-1986	7	SH-1986	7
		Engine Full Gasket Set / Engine Cylinder Head Gasket Set	FS54157-A	1	HS54157	1
		Engine Cylinder Head Bolt Set	GS33539	1	GS33539	1
		Engine Valve Cover Gasket Set	VS50278	1	VS50278	1
		Optional	VS50404	1	VS50404	1
		Engine Oil Pan Gasket Set	OS32204	1	OS32204	1
		Optional	OS32382	1	OS32382	1
		Engine Timing Cover Seal / Fuel Injector Seal Kit	67745	1	GS33633	6
Rear Main Seal	67744	1				
12.21	Premium Kit Contains OE# 23530661 Sleeve Assembly Without Machined Notches In Bearing Caps 17.5:1 CR Bushingless OE Main Bearing Number(s) 8929670 OE Rod Bearing Number(s) 23526141	Kit Number	468-1124		468-5124	
		Cylinder Sleeve Assembly	226-2043	6	226-2043	6
		Main Bearing Set	MS-2313P	1	MS-2313P	1
		Undersizes	P-10-20		P-10-20	
		Connecting Rod Bearing (Pair)	CB-1902P	6	CB-1902P	6
		Undersizes	P-25MM-50MM		P-25MM-50MM	
		Thrust Washer Set	TW-700S	1	TW-700S	1
		Camshaft Bearing	SH-1986	7	SH-1986	7
		Engine Full Gasket Set / Engine Cylinder Head Gasket Set	FS54157-A	1	HS54157	1
		Engine Cylinder Head Bolt Set	GS33539	1	GS33539	1
		Engine Valve Cover Gasket Set	VS50278	1	VS50278	1
		Optional	VS50404	1	VS50404	1
		Engine Oil Pan Gasket Set	OS32204	1	OS32204	1
		Optional	OS32382	1	OS32382	1
		Engine Timing Cover Seal / Fuel Injector Seal Kit	67745	1	GS33633	6
Rear Main Seal	67744	1				

LINE #	NOTES	PART DESCRIPTION	OVERHAUL	QTY	IN-FRAME	QTY
12	Engine Code: '60 Series (14.0L)'					12
		6 Cyl, 14.0L / 855 CID, Bore 133.1mm / 5.240", Stroke 167.9mm / 6.610"; Turbocharged, SOHC				
12.22	Premium Kit Contains OE# 23530663 Sleeve Assembly Without Machined Notches In Bearing Caps 16.0:1 CR Bushingless Oval Piston Design OE Main Bearing Number(s) 8929670 OE Rod Bearing Number(s) 23526141	Kit Number	468-1125	468-5125		
		Cylinder Sleeve Assembly	226-2044	6	226-2044 6	
		Main Bearing Set	MS-2313P	1	MS-2313P 1	
		Undersizes	P-10-20		P-10-20	
		Connecting Rod Bearing (Pair)	CB-1902P	6	CB-1902P 6	
		Undersizes	P-25MM-50MM		P-25MM-50MM	
		Thrust Washer Set	TW-700S	1	TW-700S 1	
		Camshaft Bearing	SH-1986	7	SH-1986 7	
		Engine Full Gasket Set / Engine Cylinder Head Gasket Set	FS54157-A	1	HS54157 1	
		Engine Cylinder Head Bolt Set	GS33539	1	GS33539 1	
		Engine Valve Cover Gasket Set	VS50278	1	VS50278 1	
		Optional	VS50404	1	VS50404 1	
		Engine Oil Pan Gasket Set	OS32204	1	OS32204 1	
		Optional	OS32382	1	OS32382 1	
		Engine Timing Cover Seal / Fuel Injector Seal Kit	67745	1	GS33633 6	
		Rear Main Seal	67744	1		
12.23	Premium Kit Contains OE# 23530665 Sleeve Assembly Without Machined Notches In Bearing Caps 16.0:1 CR Cut Back Design OE Main Bearing Number(s) 8929670 OE Rod Bearing Number(s) 23526141	Kit Number	468-1126	468-5126		
		Cylinder Sleeve Assembly	226-2045	6	226-2045 6	
		Main Bearing Set	MS-2313P	1	MS-2313P 1	
		Undersizes	P-10-20		P-10-20	
		Connecting Rod Bearing (Pair)	CB-1902P	6	CB-1902P 6	
		Undersizes	P-25MM-50MM		P-25MM-50MM	
		Thrust Washer Set	TW-700S	1	TW-700S 1	
		Camshaft Bearing	SH-1986	7	SH-1986 7	
		Engine Full Gasket Set / Engine Cylinder Head Gasket Set	FS54157-A	1	HS54157 1	
		Engine Cylinder Head Bolt Set	GS33539	1	GS33539 1	
		Engine Valve Cover Gasket Set	VS50278	1	VS50278 1	
		Optional	VS50404	1	VS50404 1	
		Engine Oil Pan Gasket Set	OS32204	1	OS32204 1	
		Optional	OS32382	1	OS32382 1	
		Engine Timing Cover Seal / Fuel Injector Seal Kit	67745	1	GS33633 6	
		Rear Main Seal	67744	1		

LINE #	NOTES	PART DESCRIPTION	OVERHAUL	QTY	IN-FRAME	QTY
12	Engine Code: '60 Series (14.0L)'					12
		6 Cyl, 14.0L / 855 CID, Bore 133.1mm / 5.240", Stroke 167.9mm / 6.610"; Turbocharged, SOHC				
12.24	Premium Kit Contains OE# 23533452 Sleeve Assembly Without Machined Notches In Bearing Caps 15.1:1 CR Marine 3MM Top Ring OE Main Bearing Number(s) 8929670 OE Rod Bearing Number(s) 23526141	Kit Number	468-1127		468-5127	
		Cylinder Sleeve Assembly	226-2046	6	226-2046	6
		Main Bearing Set	MS-2313P	1	MS-2313P	1
		Undersizes	P-10-20		P-10-20	
		Connecting Rod Bearing (Pair)	CB-1902P	6	CB-1902P	6
		Undersizes	P-25MM-50MM		P-25MM-50MM	
		Thrust Washer Set	TW-700S	1	TW-700S	1
		Camshaft Bearing	SH-1986	7	SH-1986	7
		Engine Full Gasket Set / Engine Cylinder Head Gasket Set	FS54157-A	1	HS54157	1
		Engine Cylinder Head Bolt Set	GS33539	1	GS33539	1
		Engine Valve Cover Gasket Set	VS50278	1	VS50278	1
		Optional	VS50404	1	VS50404	1
		Engine Oil Pan Gasket Set	OS32204	1	OS32204	1
		Optional	OS32382	1	OS32382	1
		Engine Timing Cover Seal / Fuel Injector Seal Kit	67745	1	GS33633	6
		Rear Main Seal	67744	1		
12.25	Premium Kit Contains OE# 23538831 Sleeve Assembly Contains Monotherm Piston OE# 23537126 OE Main Bearing Number(s) 8929670 OE Rod Bearing Number(s) 23526141	Kit Number	468-1133		468-5133	
		Cylinder Sleeve Assembly	226-2099	6	226-2099	6
		Main Bearing Set	MS-2310P	1	MS-2310P	1
		Undersizes	P-10-20		P-10-20	
		Main Bearing Set	MS-2346P	1	MS-2346P	1
		Connecting Rod Bearing (Pair)	CB-1902P	6	CB-1902P	6
		Undersizes	P-25MM-50MM		P-25MM-50MM	
		Thrust Washer Set	TW-696S	1	TW-696S	1
		Camshaft Bearing	SH-1986	7	SH-1986	7
		Engine Full Gasket Set / Engine Cylinder Head Gasket Set	FS54157-A	1	HS54157	1
		Engine Cylinder Head Bolt Set	GS33539	1	GS33539	1
		Engine Valve Cover Gasket Set	VS50404	1	VS50404	1
		Engine Oil Pan Gasket Set	OS32382	1	OS32382	1
		Engine Timing Cover Seal / Fuel Injector Seal Kit	67745	1	GS33633	6
		Rear Main Seal	68007	1		

LINE #	NOTES	PART DESCRIPTION	OVERHAUL	QTY	IN-FRAME	QTY
12	Engine Code: '60 Series (14.0L)' 6 Cyl, 14.0L / 855 CID, Bore 133.1mm / 5.240", Stroke 167.9mm / 6.610"; Turbocharged, SOHC					12
12.26	Basic Kit Contains OE# 23538831 Sleeve Assembly Contains Monotherm Piston OE# 23537126 OE Main Bearing Number(s) 8929670 OE Rod Bearing Number(s) 23526141	Kit Number	468-1134		468-5134	
		Cylinder Sleeve Assembly	226-2099	6	226-2099	6
		Main Bearing Set	MS-2310P	1	MS-2310P	1
		Undersizes	P-10-20		P-10-20	
		Main Bearing Set	MS-2346P	1	MS-2346P	1
		Connecting Rod Bearing (Pair)	CB-1902P	6	CB-1902P	6
		Undersizes	P-25MM-50MM		P-25MM-50MM	
		Thrust Washer Set	TW-696S	1	TW-696S	1
		Engine Full Gasket Set / Engine Cylinder Head Gasket Set	FS54157-A	1	HS54157	1
		Engine Oil Pan Gasket Set	OS32382	1	OS32382	1
		Fuel Injector Seal Kit			GS33633	6

Model	No. Cyls.	Liter	CID	Bore (mm)	Bore (IN)	Stroke (mm)	Stroke (IN)	Line No.
12V-149	12	29.3	1788	146.1	5.750	146.1	5.8	24
12V-71	12	14.0	852	108.0	4.250	127.0	5.0	11
12V-92	12	18.1	1104	122.9	4.840	127.0	5.0	19
16V-149	16	39.1	2384	146.1	5.750	146.1	5.8	25
16V-71	16	18.6	1136	108.0	4.250	127.0	5.0	6
16V-92	16	24.1	1472	122.9	4.840	127.0	5.0	16
2-53	2	1.7	106	98.4	3.875	114.3	4.5	4
2-71	2	2.3	142	108.0	4.250	127.0	5.0	5
3-53	3	2.6	159	98.4	3.875	114.3	4.5	1
3-71	3	3.5	213	108.0	4.250	127.0	5.0	7
4-53	4	3.5	212	98.4	3.875	114.3	4.5	2
4-71	4	4.7	284	108.0	4.250	127.0	5.0	8
40 Series	6	7.6	466	109.2	4.300	135.9	5.4	14
40 Series	6	8.7	530	116.6	4.590	135.9	5.4	15
50 Series	4	8.5	519	130.0	5.118	139.0	5.5	20
6-71	6	7.0	426	108.0	4.250	127.0	5.0	9
60 Series (11.1L)	6	11.1	677	130.0	5.118	139.0	5.5	21
60 Series (12.7L)	6	12.7	778	130.0	5.118	160.0	6.3	22
60 Series (14.0L)	6	14.0	855	133.1	5.240	167.9	6.6	23
6V-53	6	5.2	318	98.4	3.875	114.3	4.5	3
6V-71	6	7.0	426	108.0	4.250	127.0	5.0	10
6V-92	6	9.0	552	122.9	4.840	127.0	5.0	17
8.2L	8	8.2	500	108.0	4.250	111.9	4.4	13
8V-71	8	9.3	568	108.0	4.250	127.0	5.0	12
8V-92	8	12.1	736	122.9	4.840	127.0	5.0	18

PART	NOTES	OE INTERCHANGE NUMBER	PART NUMBER	ORDER QTY
------	-------	-----------------------	-------------	-----------

1	Engine Code: '3-53' 3 Cyl, 2.6L / 159 CID, Bore 98.4mm / 3.875", Stroke 114.3mm / 4.500"; Supercharged			1
----------	--	--	--	----------

Cylinder Components

Cylinder Sleeve Assembly	21:1 CR, Naturally Aspirated Engines, Contains Trunk Style Piston, Late Design, Contains High Brinell Sleeve, Contains Piston With .468" Deep Bowl, 4 Valve Cylinder Head	5198899 5198904	226-1477	3
	Naturally Aspirated Engines, Early Design, Contains High Brinell Sleeve, Contains Piston With .421" Shallow Bowl, 2 Valve Cylinder Head, Trunk Style Piston	5198903	226-1478	3
Cylinder Sleeve	.840" Port Height	5132803	226-4415	3
Piston	21:1 CR, Naturally Aspirated Engines, Trunk Style Piston, Late Design, Cast Iron, 3.172" Compression Distance, 4 Valve Cylinder Head	5198877	224-2486	3
	Trunk Style Piston, Early Design, With .468" Deep Bowl, 2 Valve Cylinder Head	5195931	224-3282	3
Ring Set	Naturally Aspirated Engines, Sleeved Engine, XE60 Oil Rings, Chrome Carbon Steel	5198902	S41154	3
	Turbocharged Engines, Sleeved Engine, Use With Trunk Style Piston, 1-1/2" Pin Diameter	5149359	S41449	3
Sleeve O-Ring Kit		5121256	223-7140	3

Engine Gaskets

Engine Full Gasket Set	Does Not Include Front And Rear Crankshaft Seals	23517623	FS12232A	1
Engine Cylinder Head Gasket Set	Single-Head Head Set, Contains Valve Cover Gasket	5199811	HS12232X	1
Engine Valve Cover Gasket Set	Cork, For Stamped Steel Valve Cover	5147994	VS38767	1
Valve Stem Seal (Exhaust)		8921209	B45767	6
Engine Timing Cover Seal		5116224	46289	1
Rear Main Seal	Single Lip, Standard Size	5116229	47905	1
	Single Lip, Oversize Seal, Includes OE# 23516636 Wear Sleeve	5196852	SS48005	1

Bearings

Connecting Rod Bearing (Pair)		5149452	CB-1265P	3
		5149454	CB-1265P-10	
		5149455	CB-1265P-20	
Main Bearings (Single, Pair)	Naturally Aspirated Engines	8924357	MB-1897P	4
		8924359	MB-1897P-10	
Thrust Washer Set	4 Per Package	5116197	TW-412S	1
Thrust Washer (Individual)		5116197	MB-2522W	4
Piston Pin Bushing	Use With Trunk Style Piston, 2 Per Rod, Requires Boring, 1.500" Pin Diameter	5106990	223-3634	6
Camshaft Bearing Set	Contains Camshaft And Balance Shaft Bearings	5198209	SH-699S	1



* For our latest product offerings go to <http://catalog.mahle-aftermarket.com/us/>

PART	NOTES	OE INTERCHANGE NUMBER	PART NUMBER	ORDER QTY
------	-------	-----------------------	-------------	-----------

1 (cont.)	Engine Code: '3-53' 3 Cyl, 2.6L / 159 CID, Bore 98.4mm / 3.875", Stroke 114.3mm / 4.500"; Supercharged			1 (cont.)
----------------------------	--	--	--	----------------------------

Valve Train & Ancillary

Valve (Exhaust)	Naturally Aspirated Engines, 2 Valve Cylinder Head	5195948	211-1863	6
Valve Guide (Exhaust)	Turbocharged Engines, 4 Valve Cylinder Head	5131961	217-4007	12
Valve Seat Insert	1.156" Counter Bore	8921501 8921502	218-7817	12

2	Engine Code: '4-53' 4 Cyl, 3.5L / 212 CID, Bore 98.4mm / 3.875", Stroke 114.3mm / 4.500"; Supercharged			2
----------	--	--	--	----------

Cylinder Components

Cylinder Sleeve Assembly	21:1 CR, Naturally Aspirated Engines, Contains Trunk Style Piston, Late Design, Contains High Brinell Sleeve, Contains Piston With .468" Deep Bowl, 4 Valve Cylinder Head	5198899 5198904	226-1477	4
	Naturally Aspirated Engines, Early Design, Contains High Brinell Sleeve, Contains Piston With .421" Shallow Bowl, 2 Valve Cylinder Head, Trunk Style Piston	5198903	226-1478	4
Cylinder Sleeve	.840" Port Height	5132803	226-4415	4
Piston	21:1 CR, Naturally Aspirated Engines, Trunk Style Piston, Late Design, Cast Iron, 3.172" Compression Distance, 4 Valve Cylinder Head	5198877	224-2486	4
	Trunk Style Piston, Early Design, With .468" Deep Bowl, 2 Valve Cylinder Head	5195931	224-3282	4
Ring Set	Naturally Aspirated Engines, Sleeved Engine, XE60 Oil Rings, Chrome Carbon Steel	5198902	S41154	4
	Turbocharged Engines, Sleeved Engine, Use With Trunk Style Piston, 1-1/2" Pin Diameter	5149359	S41449	4
Sleeve O-Ring Kit		5121256	223-7140	4

Engine Gaskets

Engine Full Gasket Set	Does Not Include Front And Rear Crankshaft Seals	23517624	FS12232B	1
Engine Cylinder Head Gasket Set	Single-Head Head Set	5199812	HS12232	1
Engine Valve Cover Gasket Set	Cork, For Stamped Steel Valve Cover	5147506	VS39855	1
Valve Stem Seal (Exhaust)		8921209	B45767	8
Engine Oil Pan Gasket Set		5116257	OS31584	1
Engine Timing Cover Seal		5116224	46289	1
Rear Main Seal	Single Lip, Standard Size	5116229	47905	1
	Single Lip, Oversize Seal, Includes OE# 23516636 Wear Sleeve	5196852	SS48005*	1

Bearings

Connecting Rod Bearing (Pair)		5149452	CB-1265P	4
--------------------------------------	--	---------	-----------------	---

PART	NOTES	OE INTERCHANGE NUMBER	PART NUMBER	ORDER QTY
------	-------	-----------------------	-------------	-----------

2 (cont.)	Engine Code: '4-53' 4 Cyl, 3.5L / 212 CID, Bore 98.4mm / 3.875", Stroke 114.3mm / 4.500"; Supercharged			2 (cont.)
----------------------------	--	--	--	----------------------------

Bearings

Connecting Rod Bearing (Pair)		5149454	CB-1265P-10	
		5149455	CB-1265P-20	
Main Bearing Set	Naturally Aspirated Engines, Contains 4 Piece Thrust Washer Set	8924357	MS-502P	1
		8924359	MS-502P-10	
Main Bearings (Single, Pair)	Naturally Aspirated Engines	8924357	MB-1897P	5
		8924359	MB-1897P-10	
Thrust Washer Set	4 Per Package	5116197	TW-412S	1
Thrust Washer (Individual)		5116197	MB-2522W	4
Piston Pin Bushing	Use With Trunk Style Piston, 2 Per Rod, Requires Boring, 1.500" Pin Diameter	5106990	223-3634	8
Camshaft Bearing Set	Contains Camshaft And Balance Shaft Bearings	5198984	SH-700S	1

Valve Train & Ancillary

Valve (Exhaust)	Naturally Aspirated Engines, 2 Valve Cylinder Head	5195948	211-1863	8
Valve Guide (Exhaust)	Turbocharged Engines, 4 Valve Cylinder Head	5131961	217-4007	16
Valve Seat Insert	1.156" Counter Bore	8921501 8921502	218-7817	16

3	Engine Code: '6V-53' 6 Cyl, 5.2L / 318 CID, Bore 98.4mm / 3.875", Stroke 114.3mm / 4.500"			3
----------	---	--	--	----------

Cylinder Components

Cylinder Sleeve Assembly	21:1 CR, Naturally Aspirated Engines, Contains Trunk Style Piston, Late Design, Contains High Brinell Sleeve, Contains Piston With .468" Deep Bowl, 4 Valve Cylinder Head	5198899 5198904	226-1477	6
	Naturally Aspirated Engines, Early Design, Contains High Brinell Sleeve, Contains Piston With .421" Shallow Bowl, 2 Valve Cylinder Head, Trunk Style Piston	5198903	226-1478	6
Cylinder Sleeve	.840" Port Height	5132803	226-4415	6
Piston	21:1 CR, Naturally Aspirated Engines, Trunk Style Piston, Late Design, Cast Iron, 3.172" Compression Distance, 4 Valve Cylinder Head	5198877	224-2486	6
	Trunk Style Piston, Early Design, With .468" Deep Bowl, 2 Valve Cylinder Head	5195931	224-3282	6
Ring Set	Naturally Aspirated Engines, Sleeved Engine, XE60 Oil Rings, Chrome Carbon Steel	5198902	S41154	6
	Turbocharged Engines, Sleeved Engine, Use With Trunk Style Piston, 1-1/2" Pin Diameter	5149359	S41449	6
Sleeve O-Ring Kit		5121256	223-7140	6

Engine Gaskets

Engine Full Gasket Set	Does Not Include Front And Rear Crankshaft Seals	23512690	FS12232C	1
Engine Cylinder Head Gasket Set	Single-Head Head Set, Contains Valve Cover Gasket	5199811	HS12232X	2



PART	NOTES	OE INTERCHANGE NUMBER	PART NUMBER	ORDER QTY
------	-------	-----------------------	-------------	-----------

3
(cont.)Engine Code: '6V-53'
6 Cyl, 5.2L / 318 CID, Bore 98.4mm / 3.875", Stroke 114.3mm / 4.500"3
(cont.)

Engine Gaskets

Engine Valve Cover Gasket Set	Cork, For Stamped Steel Valve Cover	5147994	VS38767	2
Engine Timing Cover Seal		5116224	46289	1
Rear Main Seal	Single Lip, Standard Size	5116229	47905	1
	Single Lip, Oversize Seal, Includes OE# 23516636 Wear Sleeve	5196852	SS48005•	1

Bearings

Connecting Rod Bearing (Pair)		5197975	CB-674P	6
		5197977	CB-674P-10	
Main Bearing Set	Use In Number 4 Position Contains Thrust Washer Set	5195927	MS-506P•	1
		5196685	MS-506P-10	
		5196686	MS-506P-20	
	Use In Number 4 Position Contains Thrust Washer Set, 7 Oil Holes In Upper Half Bearing	5198410	MS-885P	1
		5198412	MS-885P-10	
		5198413	MS-885P-20	
Main Bearings (Single, Pair)		5195927	MB-1931P	4
		5196685	MB-1931P-10	
		5196686	MB-1931P-20	
	7 Oil Holes In Upper Half Bearing	5198410	MB-2474P	4
		5198412	MB-2474P-10	
		5198413	MB-2474P-20	
Thrust Washer Set	4 Per Package	5159353	TW-411S	1
Thrust Washer (Individual)		5159353	MB-2524W	4
Piston Pin Bushing	Use With Trunk Style Piston, 2 Per Rod, Requires Boring, 1.500" Pin Diameter	5106990	223-3634	12
Camshaft Bearing Set	Contains Camshaft And Balance Shaft Bearings	5197944	SH-701S	1

Valve Train & Ancillary

Valve (Exhaust)	Naturally Aspirated Engines, 2 Valve Cylinder Head	5195948	211-1863	12
Valve Guide (Exhaust)	Turbocharged Engines, 4 Valve Cylinder Head	5131961	217-4007	24
Valve Seat Insert	1.156" Counter Bore	8921501	218-7817	24
		8921502		

Crankshaft

Crankshaft	.010" Undersize, Remanufactured	23504732 23504732(.010)	247-5125	1
------------	---------------------------------	----------------------------	----------	---

PART	NOTES	OE INTERCHANGE NUMBER	PART NUMBER	ORDER QTY
------	-------	-----------------------	-------------	-----------

4	Engine Code: '2-53' 2 Cyl, 1.7L / 106 CID, Bore 98.4mm / 3.875", Stroke 114.3mm / 4.500"			4
----------	--	--	--	----------

Cylinder Components

Cylinder Sleeve Assembly	21:1 CR, Naturally Aspirated Engines, Contains Trunk Style Piston, Late Design, Contains High Brinell Sleeve, Contains Piston With .468" Deep Bowl, 4 Valve Cylinder Head	5198899 5198904	226-1477	2
	Naturally Aspirated Engines, Early Design, Contains High Brinell Sleeve, Contains Piston With .421" Shallow Bowl, 2 Valve Cylinder Head, Trunk Style Piston	5198903	226-1478	2
Cylinder Sleeve	.840" Port Height	5132803	226-4415	2
Piston	21:1 CR, Naturally Aspirated Engines, Trunk Style Piston, Late Design, Cast Iron, 3.172" Compression Distance, 4 Valve Cylinder Head	5198877	224-2486	2
	Trunk Style Piston, Early Design, With .468" Deep Bowl, 2 Valve Cylinder Head	5195931	224-3282	2
Ring Set	Naturally Aspirated Engines, Sleeved Engine, XE60 Oil Rings, Chrome Carbon Steel	5198902	S41154	2
Sleeve O-Ring Kit		5121256	223-7140	2

Engine Gaskets

Valve Stem Seal (Exhaust)		8921209	B45767	4
Rear Main Seal	Single Lip, Standard Size	5116229	47905	1
	Single Lip, Oversize Seal, Includes OE# 23516636 Wear Sleeve	5196852	SS48005	1

Bearings

Connecting Rod Bearing (Pair)		5149452	CB-1265P	2
		5149454	CB-1265P-10	
		5149455	CB-1265P-20	
Main Bearings (Single, Pair)	Naturally Aspirated Engines	8924357	MB-1897P	3
		8924359	MB-1897P-10	
Thrust Washer Set	4 Per Package	5116197	TW-412S	1
Thrust Washer (Individual)		5116197	MB-2522W	4

Valve Train & Ancillary

Valve (Exhaust)	Naturally Aspirated Engines, 2 Valve Cylinder Head	5195948	211-1863	4
Valve Guide (Exhaust)	Turbocharged Engines, 4 Valve Cylinder Head	5131961	217-4007	8
Valve Seat Insert	1.156" Counter Bore	8921501	218-7817	8
		8921502		

5	Engine Code: '2-71' 2 Cyl, 2.3L / 142 CID, Bore 108.0mm / 4.250", Stroke 127.0mm / 5.000"; Supercharged			5
----------	---	--	--	----------

Cylinder Components

Ring Set	Except N65 Injectors, Chrome Steel Top Ring, Chrome Second Ring	5193477	SC80061	2
-----------------	---	---------	----------------	---



PART	NOTES	OE INTERCHANGE NUMBER	PART NUMBER	ORDER QTY
------	-------	-----------------------	-------------	-----------

5
(cont.)

Engine Code: '2-71'
2 Cyl, 2.3L / 142 CID, Bore 108.0mm / 4.250", Stroke 127.0mm / 5.000"; Supercharged

5
(cont.)

Engine Gaskets

Rear Main Seal	Single Lip	5114335	46843	1
	Oversize Seal, Includes Wear Sleeve	5197860	SS47870	1

Bearings

Connecting Rod Bearing (Pair)		23511129	CB-1596P	2
		23511133	CB-1596P-10	
		23511135	CB-1596P-20	
Main Bearings (Single, Pair)		5192874	MB-1276P	3
		5192876	MB-1276P-10	
		5192877	MB-1276P-20	
Thrust Washer Set	4 Per Package	5159353	TW-411S	1
Thrust Washer (Individual)		5159353	MB-2524W	4
Piston Pin Bushing	Use With Trunk Style Piston, 2 Per Rod, Requires Boring	5157274	223-3462	4

Crankshaft

Crankshaft	.010" Undersize, Remanufactured	5144188	247-5190	1
------------	---------------------------------	---------	----------	---

6

Engine Code: '16V-71'
16 Cyl, 18.6L / 1136 CID, Bore 108.0mm / 4.250", Stroke 127.0mm / 5.000"

6

Cylinder Components

Cylinder Sleeve Assembly	Naturally Aspirated Engines, Contains Trunk Style Piston, Contains High Brinell Sleeve, Sleeve Has 1.05" Port Height, N65 Injectors Special Order Engines, Requires New Cylinder Sleeve Insert Rings, Replace In Complete Sets, Sleeve Hardened To 40-45 Rockwell "C", Flange Annealed To 20-35 Rockwell "C"	23505306#2	226-1633	16
		23505306#3		
		5149263	226-1633.010	
	Turbocharged Engines, Contains High Brinell Sleeve, Contains Crosshead Piston, Sleeve Has 1.05" Port Height	23522953	226-1945	16
		23522491	226-1945.010	
	Naturally Aspirated Engines, Contains Crosshead Piston, Contains High Brinell Sleeve, Sleeve Has 1.05" Port Height, With The Sealing Ring In The Crown, Hardened	23522947	226-1946	16
23522521		226-1946.001		
23522951		226-1946.010		
Cylinder Sleeve	.950" Port Height, High Brinell Sleeve	23502024	226-4464	16
		23502025		
	1.05" Port Height, High Brinell Sleeve	23502020	226-4466	16
		23502021 23502022		
	5193733	226-4466.010		
Piston	18.7:1 CR, Naturally Aspirated Engines, Crosshead Style Piston, 4 Valve Cylinder Head	23522497	224-2260	16
	17.0:1 CR, Turbocharged Engines, Crosshead Style Piston, 2 Piece Piston	23522495	224-2360	16

PART	NOTES	OE INTERCHANGE NUMBER	PART NUMBER	ORDER QTY
------	-------	-----------------------	-------------	-----------

6 (cont.)	Engine Code: '16V-71' 16 Cyl, 18.6L / 1136 CID, Bore 108.0mm / 4.250", Stroke 127.0mm / 5.000"			6 (cont.)
----------------------	--	--	--	----------------------

Cylinder Components

Piston	18.7:1 CR, Trunk Style Piston, 2 Valve Cylinder Head, N65 Injectors Special Order Engines, Recessed Head	5149234	224-2485	16
Ring Set	Use With Trunk Style Piston, N65 Injectors, Chrome Steel Compression Ring	23514970	S40653	16
	Turbocharged Engines, Use With Trunk Style Piston, Chrome Steel Compression Ring	23514971	S41659	16
	Use With Crosshead Piston, Keystone Top Compression Ring, Chrome Steel Compression Ring	23522955	S41900	16

Engine Gaskets

Engine Cylinder Head Gasket Set	Valve Cover Gasket Not Included	5196381	HS12197J•	4
Engine Valve Cover Gasket Set	For Steel Valve Cover, 2 Sets Required For Engine With Jacobs Engine Brake	5143406	VS39859	4
	For Aluminum Valve Cover, 2 Sets Required For Engine With Jacobs Engine Brake	5104081	VS39863	4
Valve Stem Seal (Exhaust)		8921209	B45767	64
Engine Timing Cover Seal	Single Lip	5114335	46843	1
	Oversize Seal, Includes Wear Sleeve	5197860	SS47870	1
Rear Main Seal	Single Lip	8926762	46844	1
		8926761 8929750	47913	1

Bearings

Connecting Rod Bearing (Pair)		5149572	CB-555P	16
		5149575	CB-555P-10	
		5149577	CB-555P-20	
		5149579	CB-555P-30	
Main Bearings (Single, Pair)	Turbocharged Engines	5149565	MB-2687P	10
		5149567	MB-2687P-10	
		5149568	MB-2687P-20	
		8922118	MB-2687P-30	
Thrust Washer Set	4 Per Package	5117005	TW-402S	1
Thrust Washer (Individual)		5117005	MB-2523W	4
Piston Pin Bushing	Use With Trunk Style Piston, 2 Per Rod, Requires Boring	5157274	223-3462	32
Camshaft Bearing	Steel Bushing In Center Hole Not Included	5196026	SH-525	12
Camshaft Thrust Washer		5111424	SH-477W	8

Valve Train & Ancillary

Valve (Exhaust)		23500501	211-2462	64
Valve Guide	2.375" Length, Machined For Seal	5129919	217-3946	64



PART	NOTES	OE INTERCHANGE NUMBER	PART NUMBER	ORDER QTY
------	-------	-----------------------	-------------	-----------

6 (cont.)	Engine Code: '16V-71' 16 Cyl, 18.6L / 1136 CID, Bore 108.0mm / 4.250", Stroke 127.0mm / 5.000"			6 (cont.)
---------------------	---	--	--	---------------------

Valve Train & Ancillary

Valve Seat Insert	4 Valve Cylinder Head	5101101	218-7373	64
--------------------------	-----------------------	---------	-----------------	----

7	Engine Code: '3-71' 3 Cyl, 3.5L / 213 CID, Bore 108.0mm / 4.250", Stroke 127.0mm / 5.000"; Supercharged			7
----------	--	--	--	----------

Cylinder Components

Cylinder Sleeve Assembly	Naturally Aspirated Engines, Contains Trunk Style Piston, Contains High Brinell Sleeve, Sleeve Has 1.05" Port Height, N65 Injectors Special Order Engines, Requires New Cylinder Sleeve Insert Rings, Replace In Complete Sets, Sleeve Hardened To 40-45 Rockwell "C", Flange Annealed To 20-35 Rockwell "C"	23505306#2 23505306#3	226-1633	3
		5149263	226-1633.010	
		Naturally Aspirated Engines, Contains Crosshead Piston, Contains High Brinell Sleeve, Sleeve Has 1.05" Port Height, With The Sealing Ring In The Crown, Hardened	23522947	226-1946
23522521	226-1946.001			
23522951	226-1946.010			
Cylinder Sleeve	1.05" Port Height, High Brinell Sleeve	23502020 23502021 23502022	226-4466	3
		5193733	226-4466.010	
Piston	18.7:1 CR, Naturally Aspirated Engines, Crosshead Style Piston, 4 Valve Cylinder Head	23522497	224-2260	3
	18.7:1 CR, Trunk Style Piston, 2 Valve Cylinder Head, N65 Injectors Special Order Engines, Recessed Head	5149234	224-2485	3
Ring Set	Use With Trunk Style Piston, N65 Injectors, Chrome Steel Compression Ring	23514970	S40653	3
	Use With Crosshead Piston, Keystone Top Compression Ring, Chrome Steel Compression Ring	23522955	S41900	3
	Except N65 Injectors, Chrome Steel Top Ring, Chrome Second Ring	5193477	SC80061	3

Engine Gaskets

Engine Cylinder Head Gasket Set	Rubber Valve Cover Gasket Included	5192924 5193116 5196380	HS12197A	1
Engine Valve Cover Gasket Set	For Steel Valve Cover, 2 Sets Required For Engine With Jacobs Engine Brake	5143405	VS39858	1
	For Aluminum Valve Cover, 2 Sets Required For Engine With Jacobs Engine Brake	5104018	VS39862	1
Valve Stem Seal (Exhaust)		8921209	B45767	12
Engine Timing Cover Seal		23514608 5115454	47095•	1
Rear Main Seal	Single Lip	5114335	46843	1
	Oversize Seal, Includes Wear Sleeve	5197860	SS47870	1



PART	NOTES	OE INTERCHANGE NUMBER	PART NUMBER	ORDER QTY
------	-------	-----------------------	-------------	-----------

7 (cont.)	Engine Code: '3-71' 3 Cyl, 3.5L / 213 CID, Bore 108.0mm / 4.250", Stroke 127.0mm / 5.000"; Supercharged			7 (cont.)
----------------------------	---	--	--	----------------------------

Bearings

Connecting Rod Bearing (Pair)		23511129	CB-1596P	3
		23511133	CB-1596P-10	
		23511135	CB-1596P-20	
Main Bearings (Single, Pair)		5192874	MB-1276P	4
		5192876	MB-1276P-10	
		5192877	MB-1276P-20	
Thrust Washer Set	4 Per Package	5159353	TW-411S	1
Thrust Washer (Individual)		5159353	MB-2524W	4
Piston Pin Bushing	Use With Trunk Style Piston, 2 Per Rod, Requires Boring	5157274	223-3462	6
Camshaft Bearing	Contains Steel Bushing In Center Hole	5196022	SH-468	2
Camshaft Thrust Washer		5111424	SH-477W	4

Valve Train & Ancillary

Valve (Exhaust)		23500501	211-2462	12
Valve Seat Insert	4 Valve Cylinder Head	5101101	218-7373	12

8	Engine Code: '4-71' 4 Cyl, 4.7L / 284 CID, Bore 108.0mm / 4.250", Stroke 127.0mm / 5.000"			8
----------	---	--	--	----------

Cylinder Components

Cylinder Sleeve Assembly	Naturally Aspirated Engines, Contains Trunk Style Piston, Contains High Brinell Sleeve, Sleeve Has 1.05" Port Height, N65 Injectors Special Order Engines, Requires New Cylinder Sleeve Insert Rings, Replace In Complete Sets, Sleeve Hardened To 40-45 Rockwell "C", Flange Annealed To 20-35 Rockwell "C"	23505306#2	226-1633	4
		23505306#3		
		5149263	226-1633.010	
	Turbocharged Engines, Contains High Brinell Sleeve, Contains Crosshead Piston, Sleeve Has 1.05" Port Height	23522953	226-1945	4
		23522491	226-1945.010	
	Naturally Aspirated Engines, Contains Crosshead Piston, Contains High Brinell Sleeve, Sleeve Has 1.05" Port Height, With The Sealing Ring In The Crown, Hardened	23522947	226-1946	4
23522521		226-1946.001		
23522951		226-1946.010		
Cylinder Sleeve	1.05" Port Height, High Brinell Sleeve	23502020	226-4466	4
		23502021		
		23502022		
		5193733		
Piston	18.7:1 CR, Naturally Aspirated Engines, Crosshead Style Piston, 4 Valve Cylinder Head	23522497	224-2260	4
	17.0:1 CR, Turbocharged Engines, Crosshead Style Piston, 2 Piece Piston	23522495	224-2360	4



PART	NOTES	OE INTERCHANGE NUMBER	PART NUMBER	ORDER QTY
------	-------	-----------------------	-------------	-----------

8
(cont.)Engine Code: '4-71'
4 Cyl, 4.7L / 284 CID, Bore 108.0mm / 4.250", Stroke 127.0mm / 5.000"8
(cont.)

Cylinder Components

Piston	18.7:1 CR, Trunk Style Piston, 2 Valve Cylinder Head, N65 Injectors Special Order Engines, Recessed Head	5149234	224-2485	4
Ring Set	Use With Trunk Style Piston, N65 Injectors, Chrome Steel Compression Ring	23514970	S40653	4
	Use With Crosshead Piston, Keystone Top Compression Ring, Chrome Steel Compression Ring	23522955	S41900	4
	Except N65 Injectors, Chrome Steel Top Ring, Chrome Second Ring	5193477	SC80061	4

Engine Gaskets

Engine Cylinder Head Gasket Set	Rubber Valve Cover Gasket Included	5198676	HS12197B	1
Engine Valve Cover Gasket Set	For Steel Valve Cover, 2 Sets Required For Engine With Jacobs Engine Brake	5143406	VS39859	1
	2 Sets Required For Engine With Jacobs Engine Brake For Aluminum Valve Cover, 2 Sets Required For Engine With Jacobs Engine Brake	5104081	VS39863	1
Valve Stem Seal (Exhaust)		8921209	B45767	16
Engine Oil Pan Gasket Set		5150116	OS31771	1
Engine Timing Cover Seal		23514608 5115454	47095•	1
Rear Main Seal	Single Lip	5114335	46843	1
	Oversize Seal, Includes Wear Sleeve	5197860	SS47870	1

Bearings

Connecting Rod Bearing (Pair)		23511129	CB-1596P	4
		23511133	CB-1596P-10	
		23511135	CB-1596P-20	
Main Bearings (Single, Pair)		5192874	MB-1276P	5
		5192876	MB-1276P-10	
		5192877	MB-1276P-20	
Thrust Washer Set	4 Per Package	5159353	TW-411S	1
Thrust Washer (Individual)		5159353	MB-2524W	4
Piston Pin Bushing	Use With Trunk Style Piston, 2 Per Rod, Requires Boring	5157274	223-3462	8
Camshaft Bearing	Contains Steel Bushing In Center Hole	5196022	SH-468	3
Camshaft Thrust Washer		5111424	SH-477W	4

Valve Train & Ancillary

Valve (Exhaust)		23500501	211-2462	16
-----------------	--	----------	----------	----

PART	NOTES	OE INTERCHANGE NUMBER	PART NUMBER	ORDER QTY
------	-------	-----------------------	-------------	-----------

8 (cont.)	Engine Code: '4-71' 4 Cyl, 4.7L / 284 CID, Bore 108.0mm / 4.250", Stroke 127.0mm / 5.000"			8 (cont.)
----------------------------	---	--	--	----------------------------

Valve Train & Ancillary

Valve Guide	2.375" Length, Machined For Seal	5129919	217-3946	16
Valve Seat Insert	4 Valve Cylinder Head	5101101	218-7373	16

9	Engine Code: '6-71' 6 Cyl, 7.0L / 426 CID, Bore 108.0mm / 4.250", Stroke 127.0mm / 5.000"; Supercharged			9
----------	---	--	--	----------

Cylinder Components

Cylinder Sleeve Assembly	Naturally Aspirated Engines, Contains Trunk Style Piston, Contains High Brinell Sleeve, Sleeve Has 1.05" Port Height, N65 Injectors Special Order Engines, Requires New Cylinder Sleeve Insert Rings, Replace In Complete Sets, Sleeve Hardened To 40-45 Rockwell "C", Flange Annealed To 20-35 Rockwell "C"	23505306#2 23505306#3	226-1633	6			
		5149263	226-1633.010				
	Turbocharged Engines, Contains High Brinell Sleeve, Contains Crosshead Piston, Sleeve Has 1.05" Port Height	23522953	226-1945	6			
		23522491	226-1945.010				
	Naturally Aspirated Engines, Contains Crosshead Piston, Contains High Brinell Sleeve, Sleeve Has 1.05" Port Height, With The Sealing Ring In The Crown, Hardened	23522947	226-1946	6			
		23522521	226-1946.001				
23522951		226-1946.010					
Cylinder Sleeve	1.05" Port Height, High Brinell Sleeve	23502020 23502021 23502022	226-4466	6			
		5193733	226-4466.010				
		Piston	18.7:1 CR, Naturally Aspirated Engines, Crosshead Style Piston, 4 Valve Cylinder Head		23522497	224-2260	6
			17.0:1 CR, Turbocharged Engines, Crosshead Style Piston, 2 Piece Piston		23522495	224-2360	6
18.7:1 CR, Trunk Style Piston, 2 Valve Cylinder Head, N65 Injectors Special Order Engines, Recessed Head	5149234		224-2485	6			
Ring Set	Use With Trunk Style Piston, N65 Injectors, Chrome Steel Compression Ring	23514970	S40653	6			
	Use With Crosshead Piston, Keystone Top Compression Ring, Chrome Steel Compression Ring	23522955	S41900	6			
	Except N65 Injectors, Chrome Steel Top Ring, Chrome Second Ring	5193477	SC80061	6			

Engine Gaskets

Engine Full Gasket Set	Valve Cover Gasket Not Included, Crankshaft Seals not Included	23512676	FS12197H•	1
Engine Cylinder Head Gasket Set	Valve Cover Gasket Not Included	5195742	HS12197H	1
Engine Valve Cover Gasket Set	For Aluminum Valve Cover, 2 Sets Required For Engine With Jacobs Engine Brake	5104019	VS39864	1
	Neoprene, For Steel Valve Cover, 2 Sets Required For Engine With Jacobs Engine Brake	5143407	VS39866	1



* For our latest product offerings go to <http://catalog.mahle-aftermarket.com/us/>

PART	NOTES	OE INTERCHANGE NUMBER	PART NUMBER	ORDER QTY
------	-------	-----------------------	-------------	-----------

9
(cont.)

Engine Code: '6-71'
6 Cyl, 7.0L / 426 CID, Bore 108.0mm / 4.250", Stroke 127.0mm / 5.000"; Supercharged

9
(cont.)

Engine Gaskets

Valve Stem Seal (Exhaust)		8921209	B45767	24
Engine Oil Pan Gasket Set		5150117	OS31977	1
Engine Timing Cover Seal		23514608 5115454	47095•	1
Rear Main Seal	Single Lip	5114335	46843	1
	Oversize Seal, Includes Wear Sleeve	5197860	SS47870	1

Bearings

Connecting Rod Bearing (Pair)		23511129	CB-1596P	6
		23511133	CB-1596P-10	
		23511135	CB-1596P-20	
Main Bearing Set	Contains 4 Piece Thrust Washer Set	5192874	MS-271P	1
		5192876	MS-271P-10	
		5192877	MS-271P-20	
Main Bearings (Single, Pair)		5192874	MB-1276P	7
		5192876	MB-1276P-10	
		5192877	MB-1276P-20	
Thrust Washer Set	4 Per Package	5159353	TW-411S	1
Thrust Washer (Individual)		5159353	MB-2524W	4
Piston Pin Bushing	Use With Trunk Style Piston, 2 Per Rod, Requires Boring	5157274	223-3462	12
Camshaft Bearing	Contains Steel Bushing In Center Hole	5196022	SH-468	5
	Steel Bushing In Center Hole Not Included	5196026	SH-525	5
Camshaft Thrust Washer		5111424	SH-477W	4

Valve Train & Ancillary

Valve (Exhaust)		23500501	211-2462	24
Valve Guide	2.375" Length, Machined For Seal	5129919	217-3946	24
Valve Seat Insert	4 Valve Cylinder Head	5101101	218-7373	24

10

Engine Code: '6V-71'
6 Cyl, 7.0L / 426 CID, Bore 108.0mm / 4.250", Stroke 127.0mm / 5.000"

10

Cylinder Components

Cylinder Sleeve Assembly	Naturally Aspirated Engines, Contains Trunk Style Piston, Contains High Brinell Sleeve, Sleeve Has 1.05" Port Height, N65 Injectors Special Order Engines, Requires New Cylinder Sleeve Insert Rings, Replace In Complete Sets, Sleeve Hardened To 40-45 Rockwell "C", Flange Annealed To 20-35 Rockwell "C"	23505306#2 23505306#3	226-1633	6
		5149263	226-1633.010	
		23522953	226-1945	6

PART	NOTES	OE INTERCHANGE NUMBER	PART NUMBER	ORDER QTY
------	-------	-----------------------	-------------	-----------

10 (cont.)	Engine Code: '6V-71' 6 Cyl, 7.0L / 426 CID, Bore 108.0mm / 4.250", Stroke 127.0mm / 5.000"			10 (cont.)
-----------------------	--	--	--	-----------------------

Cylinder Components

Cylinder Sleeve Assembly	Turbocharged Engines, Contains High Brinell Sleeve, Contains Crosshead Piston, Sleeve Has 1.05" Port Height	23522491	226-1945.010	
	Naturally Aspirated Engines, Contains Crosshead Piston, Contains High Brinell Sleeve, Sleeve Has 1.05" Port Height, With The Sealing Ring In The Crown, Hardened	23522947	226-1946	6
		23522521	226-1946.001	
		23522951	226-1946.010	
Cylinder Sleeve	.950" Port Height, High Brinell Sleeve	23502024 23502025	226-4464	6
	1.05" Port Height, High Brinell Sleeve	23502020 23502021 23502022	226-4466	6
		5193733	226-4466.010	
Piston	18.7:1 CR, Naturally Aspirated Engines, Crosshead Style Piston, 4 Valve Cylinder Head	23522497	224-2260	6
	17.0:1 CR, Turbocharged Engines, Crosshead Style Piston, 2 Piece Piston	23522495	224-2360	6
	18.7:1 CR, Trunk Style Piston, 2 Valve Cylinder Head, N65 Injectors Special Order Engines, Recessed Head	5149234	224-2485	6
Ring Set	Use With Trunk Style Piston, N65 Injectors, Chrome Steel Compression Ring	23514970	S40653	6
	Turbocharged Engines, Use With Trunk Style Piston, Chrome Steel Compression Ring	23514971	S41659	6
	Use With Crosshead Piston, Keystone Top Compression Ring, Chrome Steel Compression Ring	23522955	S41900	6

Engine Gaskets

Engine Cylinder Head Gasket Set	Rubber Valve Cover Gasket Included	5192924 5193116 5196380	HS12197A	2	
	Engine Valve Cover Gasket Set	For Steel Valve Cover, 2 Sets Required For Engine With Jacobs Engine Brake	5143405	VS39858	2
		For Aluminum Valve Cover, 2 Sets Required For Engine With Jacobs Engine Brake	5104018	VS39862	2
Valve Stem Seal (Exhaust)		8921209	B45767	24	
Engine Timing Cover Seal		23514608 5115454	47095•	1	
Rear Main Seal	Single Lip	5114335	46843	1	
	Single Lip	8926762	46844	1	
		8926761 8929750	47913	1	
		Oversize Seal, Includes Wear Sleeve	5197860	SS47870	1

Miscellaneous Gaskets

Engine Coolant Thermostat Seal		5132155	GS27706	1
---------------------------------------	--	---------	----------------	---



PART	NOTES	OE INTERCHANGE NUMBER	PART NUMBER	ORDER QTY
------	-------	-----------------------	-------------	-----------

10 (cont.)	Engine Code: '6V-71' 6 Cyl, 7.0L / 426 CID, Bore 108.0mm / 4.250", Stroke 127.0mm / 5.000"			10 (cont.)
-----------------------------	---	--	--	-----------------------------

Bearings

Connecting Rod Bearing (Pair)		5149572	CB-555P	6
		5149575	CB-555P-10	
		5149577	CB-555P-20	
		5149579	CB-555P-30	
Main Bearing Set	Use In Number 4 Position Contains 4 Piece Thrust Washer Set, Turbocharged Engines	5149565	MS-1385P	1
		5149567	MS-1385P-10	
		5149568	MS-1385P-20	
		8922118	MS-1385P-30	
Main Bearings (Single, Pair)	Turbocharged Engines	5149565	MB-2687P	4
		5149567	MB-2687P-10	
		5149568	MB-2687P-20	
		8922118	MB-2687P-30	
Thrust Washer Set	4 Per Package	5117005	TW-402S	1
Thrust Washer (Individual)		5117005	MB-2523W	4
Piston Pin Bushing	Use With Trunk Style Piston, 2 Per Rod, Requires Boring	5157274	223-3462	12
Camshaft Bearing	Steel Bushing In Center Hole Not Included	5196026	SH-525	4
Camshaft Thrust Washer		5111424	SH-477W	4

Valve Train & Ancillary

Valve (Exhaust)		23500501	211-2462	24
Valve Guide	2.375" Length, Machined For Seal	5129919	217-3946	24
Valve Seat Insert	4 Valve Cylinder Head	5101101	218-7373	24

Crankshaft

Crankshaft	.010" Undersize	5146733(.010)	247-5006	1
		5146733	247-5023	1
	.010" Undersize, Remanufactured	5146733(.010)	247-5113	1

11	Engine Code: '12V-71' 12 Cyl, 14.0L / 852 CID, Bore 108.0mm / 4.250", Stroke 127.0mm / 5.000"			11
-----------	--	--	--	-----------

Cylinder Components

Cylinder Sleeve Assembly	Naturally Aspirated Engines, Contains Trunk Style Piston, Contains High Brinell Sleeve, Sleeve Has 1.05" Port Height, N65 Injectors Special Order Engines, Requires New Cylinder Sleeve Insert Rings, Replace In Complete Sets, Sleeve Hardened To 40-45 Rockwell "C", Flange Annealed To 20-35 Rockwell "C"	23505306#2	226-1633	12
		23505306#3		
		5149263	226-1633.010	
	Turbocharged Engines, Contains High Brinell Sleeve, Contains Crosshead Piston, Sleeve Has 1.05" Port Height	23522953	226-1945	12
		23522491	226-1945.010	



PART	NOTES	OE INTERCHANGE NUMBER	PART NUMBER	ORDER QTY
------	-------	-----------------------	-------------	-----------

11 (cont.)	Engine Code: '12V-71' 12 Cyl, 14.0L / 852 CID, Bore 108.0mm / 4.250", Stroke 127.0mm / 5.000"			11 (cont.)
-----------------------	---	--	--	-----------------------

Cylinder Components

Cylinder Sleeve Assembly	Naturally Aspirated Engines, Contains Crosshead Piston, Contains High Brinell Sleeve, Sleeve Has 1.05" Port Height, With The Sealing Ring In The Crown, Hardened	23522947	226-1946	12
		23522521	226-1946.001	
		23522951	226-1946.010	
Cylinder Sleeve	.950" Port Height, High Brinell Sleeve	23502024	226-4464	12
		23502025		
	1.05" Port Height, High Brinell Sleeve	23502020	226-4466	12
		23502021 23502022		
	5193733	226-4466.010		
Piston	18.7:1 CR, Naturally Aspirated Engines, Crosshead Style Piston, 4 Valve Cylinder Head	23522497	224-2260	12
	17.0:1 CR, Turbocharged Engines, Crosshead Style Piston, 2 Piece Piston	23522495	224-2360	12
	18.7:1 CR, Trunk Style Piston, 2 Valve Cylinder Head, N65 Injectors Special Order Engines, Recessed Head	5149234	224-2485	12
Ring Set	Use With Trunk Style Piston, N65 Injectors, Chrome Steel Compression Ring	23514970	S40653	12
	Turbocharged Engines, Use With Trunk Style Piston, Chrome Steel Compression Ring	23514971	S41659	12
	Use With Crosshead Piston, Keystone Top Compression Ring, Chrome Steel Compression Ring	23522955	S41900	12

Engine Gaskets

Engine Full Gasket Set	Valve Cover Gasket Not Included, Crankshaft Seals not Included	23512681	FS12197K	1
Engine Valve Cover Gasket Set	For Aluminum Valve Cover, 2 Sets Required For Engine With Jacobs Engine Brake	5104019	VS39864	2
	Neoprene, For Steel Valve Cover, 2 Sets Required For Engine With Jacobs Engine Brake	5143407	VS39866	2
Valve Stem Seal (Exhaust)		8921209	B45767	48
Engine Timing Cover Seal		23514608 5115454	47095•	1
Rear Main Seal	Single Lip	5114335	46843	1
	Single Lip	8926762	46844	1
		8926761 8929750	47913	1
	Oversize Seal, Includes Wear Sleeve	5197860	SS47870	1

Bearings

Connecting Rod Bearing (Pair)		5149572	CB-555P	12
		5149575	CB-555P-10	
		5149577	CB-555P-20	
		5149579	CB-555P-30	



PART	NOTES	OE INTERCHANGE NUMBER	PART NUMBER	ORDER QTY
------	-------	-----------------------	-------------	-----------

11 (cont.) Engine Code: '12V-71'
12 Cyl, 14.0L / 852 CID, Bore 108.0mm / 4.250", Stroke 127.0mm / 5.000"

11 (cont.)

Bearings

Main Bearings (Single, Pair)	Turbocharged Engines	5149565	MB-2687P	7
		5149567	MB-2687P-10	
		5149568	MB-2687P-20	
		8922118	MB-2687P-30	
Thrust Washer Set	4 Per Package	5117005	TW-402S	1
Thrust Washer (Individual)		5117005	MB-2523W	4
Piston Pin Bushing	Use With Trunk Style Piston, 2 Per Rod, Requires Boring	5157274	223-3462	24
Camshaft Bearing	Steel Bushing In Center Hole Not Included	5196026	SH-525	10
Camshaft Thrust Washer		5111424	SH-477W	4

Valve Train & Ancillary

Valve (Exhaust)		23500501	211-2462	48
Valve Guide	2.375" Length, Machined For Seal	5129919	217-3946	48
Valve Seat Insert	4 Valve Cylinder Head	5101101	218-7373	48

Crankshaft

Crankshaft		23502165	247-5014	1
------------	--	----------	-----------------	---

12 Engine Code: '8V-71'
8 Cyl, 9.3L / 568 CID, Bore 108.0mm / 4.250", Stroke 127.0mm / 5.000"

12

Cylinder Components

Cylinder Sleeve Assembly	Naturally Aspirated Engines, Contains Trunk Style Piston, Contains High Brinell Sleeve, Sleeve Has 1.05" Port Height, N65 Injectors Special Order Engines, Requires New Cylinder Sleeve Insert Rings, Replace In Complete Sets, Sleeve Hardened To 40-45 Rockwell "C", Flange Annealed To 20-35 Rockwell "C"	23505306#2	226-1633	8
		23505306#3		
		5149263	226-1633.010	
		Turbocharged Engines, Contains High Brinell Sleeve, Contains Crosshead Piston, Sleeve Has 1.05" Port Height	23522953	
23522491	226-1945.010			
Cylinder Sleeve	.950" Port Height, High Brinell Sleeve	23502024	226-4464	8
		23502025		
	1.05" Port Height, High Brinell Sleeve	23502020	226-4466	8
		23502021 23502022		
Piston	18.7:1 CR, Naturally Aspirated Engines, Crosshead Style Piston, 4 Valve Cylinder Head	23522497	224-2260	8
		17.0:1 CR, Turbocharged Engines, Crosshead Style Piston, 2 Piece Piston	23522495	224-2360

PART	NOTES	OE INTERCHANGE NUMBER	PART NUMBER	ORDER QTY
------	-------	-----------------------	-------------	-----------

12 (cont.)	Engine Code: '8V-71' 8 Cyl, 9.3L / 568 CID, Bore 108.0mm / 4.250", Stroke 127.0mm / 5.000"			12 (cont.)
-----------------------	--	--	--	-----------------------

Cylinder Components

Piston	18.7:1 CR, Trunk Style Piston, 2 Valve Cylinder Head, N65 Injectors Special Order Engines, Recessed Head	5149234	224-2485	8
Ring Set	Use With Trunk Style Piston, N65 Injectors, Chrome Steel Compression Ring	23514970	S40653	8
	Turbocharged Engines, Use With Trunk Style Piston, Chrome Steel Compression Ring	23514971	S41659	8
	Use With Crosshead Piston, Keystone Top Compression Ring, Chrome Steel Compression Ring	23522955	S41900	8

Engine Gaskets

Engine Full Gasket Set	Excludes Coach, Valve Cover Gasket Not Included, Crankshaft Seals not Included	23512680	FS12197JT•	1
Engine Cylinder Head Gasket Set	Rubber Valve Cover Gasket Included	5198676	HS12197B	2
	Valve Cover Gasket Not Included	5196381	HS12197J•	2
Engine Valve Cover Gasket Set	For Steel Valve Cover, 2 Sets Required For Engine With Jacobs Engine Brake	5143406	VS39859	2
	For Aluminum Valve Cover, 2 Sets Required For Engine With Jacobs Engine Brake	5104081	VS39863	2
Valve Stem Seal (Exhaust)		8921209	B45767	16
Engine Oil Pan Gasket Set	For Engine With Stamped Steel Oil Pan	5117231	OS31790	1
Engine Timing Cover Seal		23514608 5115454	47095•	1
Rear Main Seal	Single Lip	5114335	46843	1
	Single Lip	8926762	46844	1
		8926761 8929750	47913	1
	Oversize Seal, Includes Wear Sleeve	5197860	SS47870	1

Miscellaneous Gaskets

Engine Coolant Thermostat Seal		5132155	GS27706	1
---------------------------------------	--	---------	----------------	---

Bearings

Connecting Rod Bearing (Pair)		5149572	CB-555P	8
		5149575	CB-555P-10	
		5149577	CB-555P-20	
		5149579	CB-555P-30	
Main Bearing Set	Contains 4 Piece Thrust Washer Set, Turbocharged Engines	5149565	MS-1386P	1
		5149567	MS-1386P-10	
		5149568	MS-1386P-20	
		8922118	MS-1386P-30	



PART	NOTES	OE INTERCHANGE NUMBER	PART NUMBER	ORDER QTY
------	-------	-----------------------	-------------	-----------

12
(cont.) Engine Code: '8V-71'
8 Cyl, 9.3L / 568 CID, Bore 108.0mm / 4.250", Stroke 127.0mm / 5.000"

12
(cont.)

Bearings

Main Bearings (Single, Pair)	Turbocharged Engines	5149565	MB-2687P	5
		5149567	MB-2687P-10	
		5149568	MB-2687P-20	
		8922118	MB-2687P-30	
Thrust Washer Set	4 Per Package	5117005	TW-402S	1
Thrust Washer (Individual)		5117005	MB-2523W	4
Piston Pin Bushing	Use With Trunk Style Piston, 2 Per Rod, Requires Boring	5157274	223-3462	16
Camshaft Bearing	Steel Bushing In Center Hole Not Included	5196026	SH-525	6
Camshaft Thrust Washer		5111424	SH-477W	4

Valve Train & Ancillary

Valve (Exhaust)		23500501	211-2462	32
Valve Guide	2.375" Length, Machined For Seal	5129919	217-3946	32
Valve Seat Insert	4 Valve Cylinder Head	5101101	218-7373	32

Crankshaft

Crankshaft	.010" Undersize	5103264(.010)	247-5005•	1
		5103264	247-5024	1
	.010" Undersize, Remanufactured	5103264(.010)	247-5114	1

13 Engine Code: '8.2L'
8 Cyl, 8.2L / 500 CID, Bore 108.0mm / 4.250", Stroke 111.9mm / 4.406"

13

Cylinder Components

Piston		8921605	224-3501	8
		8922452	224-3501.010	
		Exclusive	224-3501.030	
		Exclusive	224-3501.040	
	Turbocharged Engines	8925818	224-3502	8
		892581830	224-3502.030	
Rebore Kit	Contains OE# 8921605 Piston, And 8921721 Ring Set	See Note	225-3501	8
	Turbocharged Engines, Contains OE# 8925818 Piston, And 8921722 Ring Set	See Note	225-3502	8
Ring Set	Chrome Ductile Compression Ring	8921721	S41294	8
		8923919	S41294.020	
	Turbocharged Engines, Keystone Top Compression Ring, Chrome Ductile Second Ring	8921722	S41895	8
		8923920	S41895.020	

Engine Gaskets

Engine Cylinder Head Gasket Set	Includes 11 Bolt Valve Cover Gaskets	8924127	HS3983•	1
---------------------------------	--------------------------------------	---------	----------------	---

PART	NOTES	OE INTERCHANGE NUMBER	PART NUMBER	ORDER QTY
------	-------	-----------------------	-------------	-----------

13 (cont.)	Engine Code: '8.2L' 8 Cyl, 8.2L / 500 CID, Bore 108.0mm / 4.250", Stroke 111.9mm / 4.406"	13 (cont.)		
-----------------------------	---	-----------------------------	--	--

Engine Gaskets

Engine Conversion Gasket Set	Crankshaft Seals not Included, One Piece Silicone Oil Pan Gasket Not Included	Exclusive	CS3983	1
Engine Cylinder Head Gasket		8923848	3983•	2
Engine Valve Cover Gasket Set	With 11 Bolt Holes	8920271	VS39363	1
	With 9 Bolt holes	8926675	VS50070	1
Engine Valve Stem Seal Set	Intake And Exhaust	23500480	B45737	16
Engine Intake Manifold Gasket Set	Contains OE# 8921883(2), 8920219(2), 8920085, 8920246 And 8920247(2)	See Note	MS15328	1
Exhaust Manifold Gasket Set		8921817	MS15523	1
Engine Oil Pan Gasket Set	Excludes One Piece Silicone Gasket	5149728	OS30938	1
	Includes One Piece Silicone Gasket, With 13 Bolt Holes	8922786	OS32035	1
Engine Timing Cover Seal		8920200	47912	1
Rear Main Seal		8926761 8929750	47913	1

Miscellaneous Gaskets

Engine Coolant Thermostat Seal	Water Outlet	8924813	C31542•	1
---------------------------------------	--------------	---------	----------------	---

Bearings

Connecting Rod Bearing (Pair)		8921714	CB-1288P	8
		8924703	CB-1288P-10	
		23525859	CB-1288P-20	
		892171430	CB-1288P-30	
Main Bearing Set	Contains OE#: 8921712(4) And Thrust Bearing 8922948	See Note	MS-1566P	1
		See Note	MS-1566P-10	
		See Note	MS-1566P-20	
Piston Pin Bushing	Requires Boring	8920078	223-3579	8
Camshaft Bearing Set		8922110	SH-2181S	1

Valve Train & Ancillary

Valve (Intake)	Valve Only, Bare Valve OE# 8920119	23502068	211-2552	8
Valve (Exhaust)	Valve Only, Bare Valve OE# 8921347	23502067	211-2551	8
Valve Guide	.3440" ID, .5640 OD, 2.875 Length	Exclusive	217-3254	16

14	Engine Code: '40 Series' 6 Cyl, 7.6L / 466 CID, Bore 109.2mm / 4.300", Stroke 135.9mm / 5.350"; Navistar	14		
-----------	--	-----------	--	--

Cylinder Components

Cylinder Sleeve Assembly	From S/N 933834-1126948 , 230 Standard Torque 210, 230, 250 High Torque	1824966C92	226-1962	6
---------------------------------	---	------------	-----------------	---



PART	NOTES	OE INTERCHANGE NUMBER	PART NUMBER	ORDER QTY
------	-------	-----------------------	-------------	-----------

14 (cont.)	Engine Code: '40 Series' 6 Cyl, 7.6L / 466 CID, Bore 109.2mm / 4.300", Stroke 135.9mm / 5.350"; Navistar	14 (cont.)		
-----------------------	--	-----------------------	--	--

Cylinder Components

Cylinder Sleeve	Overall Length 239.5MM/9.429"	1815674C1	226-4567	6
Piston	From S/N 933834-1126948 , 230 Standard Torque 210, 230, 250 High Torque	1823313C1	224-3350	6
Ring Set	3 Ring, 2 Top Rings Keystone, Wide Gap, 2@ 0.125", 1@ 0.157"	1817247C91	S41781	6
Sleeve O-Ring Kit		1822322C93	223-7211	6

Engine Gaskets

Engine Cylinder Head Gasket Set		1824970C99 1830720C94	HS54189•	1
Engine Conversion Gasket Set	Contains OE # Oil Pan Gasket 1826587C1	1830374C97 1874865C92	CS54511•	1
In-frame Overhaul Set	Covers OE # Head Set 1830720C94 / 1894141C92 And Oil Pan Gasket 1826587C1	See Note	EK3527	1
Engine Cylinder Head Gasket		1817562C4	54189•	1
Engine Valve Cover Gasket Set		1825602C91	VS50517	1
Engine Valve Stem Seal Set	Intake And Exhaust, 0.565"/0.575" Guide Outside Diameter, For 0.312" Valve Stem Diameter, 6 Per Package	1822245C1	B45913	12
	Intake And Exhaust, For 0.375" Stem Diameter, 6 Per Package, Cost is Per Each Seal	1823925C1	B45987•	12
Exhaust Manifold Gasket Set		1825436C1	MS19824	1
Engine Oil Pan Gasket Set		1826587C1	OS32226	1
Engine Timing Cover Gasket Set	Includes Wear Sleeve	690437C95	SS47537•	1
Rear Main Seal		1817867C92	67815	1

Bearings

Connecting Rod Bearing (Pair)		1822389C91	CB-1659P	6
		1822486C91	CB-1659P-10	
		1822487C91	CB-1659P-20	
Main Bearing Set	Standard Set Contains OE# 1822321C91(6) And 1822379C91(1)	See Note	MS-2096P•	1
		See Note	MS-2096P-10	
		See Note	MS-2096P-20	
Camshaft Bearing Set	Contains OE#s: 675424C1, 675020C2, 675021C2 And 1830059C1	680117C3	SH-994S	1

Valve Train & Ancillary

Valve (Intake)	1.786" Head Diameter, 5.992" Length, 0.3722" Stem Diameter, 30° Seat	1823875C3	211-4155	6
Valve (Exhaust)	1.786" Head Diameter, 5.992" Length, 0.3714" Stem Diameter, 45° Seat	1824840C1	211-4154	6



PART	NOTES	OE INTERCHANGE NUMBER	PART NUMBER	ORDER QTY
------	-------	-----------------------	-------------	-----------

14 (cont.)	Engine Code: '40 Series' 6 Cyl, 7.6L / 466 CID, Bore 109.2mm / 4.300", Stroke 135.9mm / 5.350"; Navistar			14 (cont.)
-----------------------------	--	--	--	-----------------------------

Valve Train & Ancillary

Valve Guide (Intake & Exhaust)	0.626" Outside Diameter, 0.3745" Inside Diameter, 2.610" Length	1815264C1	217-4077	12
--------------------------------	---	-----------	----------	----

15	Engine Code: '40 Series' 6 Cyl, 8.7L / 530 CID, Bore 116.6mm / 4.590", Stroke 135.9mm / 5.350"; Navistar			15
-----------	--	--	--	-----------

Engine Gaskets

Engine Cylinder Head Gasket		1817562C4	54189•	1
Engine Oil Pan Gasket Set		1826587C1	OS32226	1

Bearings

Connecting Rod Bearing (Pair)		1822389C91	CB-1659P	6
		1822486C91	CB-1659P-10	
		1822487C91	CB-1659P-20	
Main Bearing Set	Standard Set Contains OE# 1822321C91(6) And 1822379C91(1)	See Note	MS-2096P•	1
		See Note	MS-2096P-10	
		See Note	MS-2096P-20	
Camshaft Bearing Set	Contains OE#'s: 675424C1, 675020C2, 675021C2 And 1830059C1	680117C3	SH-994S	1

Valve Train & Ancillary

Valve (Intake)	1.786" Head Diameter, 5.992" Length, 0.3722" Stem Diameter, 30° Seat	1823875C3	211-4155	6
Valve (Exhaust)	1.786" Head Diameter, 5.992" Length, 0.3714" Stem Diameter, 45° Seat	1824840C1	211-4154	6
Valve Guide (Intake & Exhaust)	0.626" Outside Diameter, 0.3745" Inside Diameter, 2.610" Length	1815264C1	217-4077	12

16	Engine Code: '16V-92' 16 Cyl, 24.1L / 1472 CID, Bore 122.9mm / 4.840", Stroke 127.0mm / 5.000"; Turbocharged			16
-----------	--	--	--	-----------

Cylinder Components

Cylinder Sleeve Assembly	17.0:1 CR, Turbocharged Engines, Contains High Brinell Sleeve, .950" Port Height, Contains Crosshead Piston, 2 Piece Piston	23524341	226-1738	16
	17.0:1 CR, Turbocharged Engines, Contains High Brinell Sleeve, Sleeve Has 1.05" Port Height, Contains Crosshead Piston, 2 Piece Piston	23524339	226-1739	16
Cylinder Sleeve	Turbocharged Engines, High Brinell Sleeve, 1.05" Port Height Sleeve, 30 Degrees	5148505	226-4467	16
	Turbocharged Engines, High Brinell Sleeve, .950" Port Height, 25 Degrees	5107176	226-4470	16
Piston	17.0:1 CR, Turbocharged Engines, Crosshead Style Piston, 2 Piece Piston	5149963	224-2272	16



PART	NOTES	OE INTERCHANGE NUMBER	PART NUMBER	ORDER QTY
------	-------	-----------------------	-------------	-----------

16
(cont.)Engine Code: '16V-92'
16 Cyl, 24.1L / 1472 CID, Bore 122.9mm / 4.840", Stroke 127.0mm / 5.000"; Turbocharged16
(cont.)

Cylinder Components

Ring Set	Turbocharged Engines, Sleeved Engine, Keystone Top Compression Ring	23524349	S41410	16
Sleeve O-Ring Kit		8927189	223-7186	16

Engine Gaskets

Engine Valve Cover Gasket Set	For Steel Valve Cover, 2 Sets Required For Engine With Jacobs Engine Brake	5143406	VS39859	4
	For Aluminum Valve Cover, 2 Sets Required For Engine With Jacobs Engine Brake	5104081	VS39863	4
Valve Stem Seal (Exhaust)		8921209	B45767	64
Engine Timing Cover Seal	Single Lip	5114335	46843	1
	Oversize Seal, Includes Wear Sleeve	5197860	SS47870	1
Rear Main Seal	Single Lip	8926762	46844	1
		8926761 8929750	47913	1

Bearings

Connecting Rod Bearing (Pair)		5149572	CB-555P	16
		5149575	CB-555P-10	
		5149577	CB-555P-20	
		5149579	CB-555P-30	
Main Bearings (Single, Pair)	Turbocharged Engines	5149565	MB-2687P	10
		5149567	MB-2687P-10	
		5149568	MB-2687P-20	
		8922118	MB-2687P-30	
Thrust Washer Set	4 Per Package	5117005	TW-402S	1
Thrust Washer (Individual)		5117005	MB-2523W	4
Camshaft Bearing	Steel Bushing In Center Hole Not Included	5196026	SH-525	12
Camshaft Thrust Washer		5111424	SH-477W	8

Valve Train & Ancillary

Valve (Exhaust)	Valve Only	5106136 5149771	211-2439	64
Valve Guide	2.375" Length, Machined For Seal	5129919	217-3946	64
Valve Seat Insert		5148490	218-7813	64

Turbochargers

Turbocharger		23503042	098 TC 21102 100	1
--------------	--	----------	------------------	---

PART	NOTES	OE INTERCHANGE NUMBER	PART NUMBER	ORDER QTY
------	-------	-----------------------	-------------	-----------

17	Engine Code: '6V-92' 6 Cyl, 9.0L / 552 CID, Bore 122.9mm / 4.840", Stroke 127.0mm / 5.000"; Supercharged			17
-----------	--	--	--	-----------

Cylinder Components

Cylinder Sleeve Assembly	17.0:1 CR, Turbocharged Engines, Contains High Brinell Sleeve, .950" Port Height, Contains Crosshead Piston, 2 Piece Piston	23524341	226-1738	6
	17.0:1 CR, Turbocharged Engines, Contains High Brinell Sleeve, Sleeve Has 1.05" Port Height, Contains Crosshead Piston, 2 Piece Piston	23524339	226-1739	6
Cylinder Sleeve	Turbocharged Engines, High Brinell Sleeve, 1.05" Port Height Sleeve, 30 Degrees	5148505	226-4467	6
	Turbocharged Engines, High Brinell Sleeve, .950" Port Height, 25 Degrees	5107176	226-4470	6
Piston	17.0:1 CR, Turbocharged Engines, Crosshead Style Piston, 2 Piece Piston	5149963	224-2272	6
Ring Set	Turbocharged Engines, Sleeved Engine, Keystone Top Compression Ring	23524349	S41410	6
Sleeve O-Ring Kit		8927189	223-7186	6

Engine Gaskets

Engine Valve Cover Gasket Set	For Steel Valve Cover, 2 Sets Required For Engine With Jacobs Engine Brake	5143405	VS39858	2
	For Aluminum Valve Cover, 2 Sets Required For Engine With Jacobs Engine Brake	5104018	VS39862	2
Valve Stem Seal (Exhaust)		8921209	B45767	24
Engine Timing Cover Seal		23514608 5115454	47095-	1
Rear Main Seal	Single Lip	8926762	46844	1
		8926761 8929750	47913	1

Bearings

Connecting Rod Bearing (Pair)		5149572	CB-555P	6
		5149575	CB-555P-10	
		5149577	CB-555P-20	
		5149579	CB-555P-30	
Main Bearing Set	Use In Number 4 Position Contains 4 Piece Thrust Washer Set, Turbocharged Engines	5149565	MS-1385P	1
		5149567	MS-1385P-10	
		5149568	MS-1385P-20	
		8922118	MS-1385P-30	
Main Bearings (Single, Pair)	Turbocharged Engines	5149565	MB-2687P	4
		5149567	MB-2687P-10	
		5149568	MB-2687P-20	
		8922118	MB-2687P-30	
Thrust Washer Set	4 Per Package	5117005	TW-402S	1
Thrust Washer (Individual)		5117005	MB-2523W	4



PART	NOTES	OE INTERCHANGE NUMBER	PART NUMBER	ORDER QTY
------	-------	-----------------------	-------------	-----------

17
(cont.)Engine Code: '6V-92'
6 Cyl, 9.0L / 552 CID, Bore 122.9mm / 4.840", Stroke 127.0mm / 5.000"; Supercharged17
(cont.)

Bearings

Camshaft Bearing	Steel Bushing In Center Hole Not Included	5196026	SH-525	4
Camshaft Thrust Washer		5111424	SH-477W	4

Valve Train & Ancillary

Valve (Exhaust)	Valve Only	5106136 5149771	211-2439	24
Valve Guide	2.375" Length, Machined For Seal	5129919	217-3946	24
Valve Seat Insert		5148490	218-7813	24

Crankshaft

Crankshaft	Left Hand	8926922	247-5041	1
		8926921	247-5042	1

18

Engine Code: '8V-92'
8 Cyl, 12.1L / 736 CID, Bore 122.9mm / 4.840", Stroke 127.0mm / 5.000"; Supercharged

18

Cylinder Components

Cylinder Sleeve Assembly	17.0:1 CR, Turbocharged Engines, Contains High Brinell Sleeve, .950" Port Height, Contains Crosshead Piston, 2 Piece Piston	23524341	226-1738	8
	17.0:1 CR, Turbocharged Engines, Contains High Brinell Sleeve, Sleeve Has 1.05" Port Height, Contains Crosshead Piston, 2 Piece Piston	23524339	226-1739	8
Cylinder Sleeve	Turbocharged Engines, High Brinell Sleeve, 1.05" Port Height Sleeve, 30 Degrees	5148505	226-4467	8
	Turbocharged Engines, High Brinell Sleeve, .950" Port Height, 25 Degrees	5107176	226-4470	8
Piston	17.0:1 CR, Turbocharged Engines, Crosshead Style Piston, 2 Piece Piston	5149963	224-2272	8
Ring Set	Turbocharged Engines, Sleeved Engine, Keystone Top Compression Ring	23524349	S41410	8
Sleeve O-Ring Kit		8927189	223-7186	8

Engine Gaskets

Engine Valve Cover Gasket Set	For Steel Valve Cover, 2 Sets Required For Engine With Jacobs Engine Brake	5143406	VS39859	2
	For Aluminum Valve Cover, 2 Sets Required For Engine With Jacobs Engine Brake	5104081	VS39863	2
Valve Stem Seal (Exhaust)		8921209	B45767	32
Engine Oil Pan Gasket Set	For Engine With Stamped Steel Oil Pan	5117231	OS31790	1
Engine Timing Cover Seal		23514608 5115454	47095•	1
Rear Main Seal	Single Lip	8926762	46844	1

PART	NOTES	OE INTERCHANGE NUMBER	PART NUMBER	ORDER QTY
------	-------	-----------------------	-------------	-----------

18 (cont.)	Engine Code: '8V-92' 8 Cyl, 12.1L / 736 CID, Bore 122.9mm / 4.840", Stroke 127.0mm / 5.000"; Supercharged			18 (cont.)
-----------------------------	---	--	--	-----------------------------

Engine Gaskets

Rear Main Seal		8926761 8929750	47913	1
-----------------------	--	--------------------	--------------	---

Bearings

Connecting Rod Bearing (Pair)		5149572	CB-555P	8
		5149575	CB-555P-10	
		5149577	CB-555P-20	
		5149579	CB-555P-30	
Main Bearing Set	Contains 4 Piece Thrust Washer Set, Turbocharged Engines	5149565	MS-1386P	1
		5149567	MS-1386P-10	
		5149568	MS-1386P-20	
		8922118	MS-1386P-30	
Main Bearings (Single, Pair)	Turbocharged Engines	5149565	MB-2687P	5
		5149567	MB-2687P-10	
		5149568	MB-2687P-20	
		8922118	MB-2687P-30	
Thrust Washer Set	4 Per Package	5117005	TW-402S	1
Thrust Washer (Individual)		5117005	MB-2523W	4
Camshaft Bearing	Steel Bushing In Center Hole Not Included	5196026	SH-525	6
Camshaft Thrust Washer		5111424	SH-477W	4

Valve Train & Ancillary

Valve (Exhaust)	Valve Only	5106136 5149771	211-2439	32
Valve Guide	2.375" Length, Machined For Seal	5129919	217-3946	32
Valve Seat Insert		5148490	218-7813	32

Crankshaft

Crankshaft	UniRotational, Use In Left Hand And Right Hand	5101677	247-5009	1
	UniRotational, .010" Undersize	5101677(.010)	247-5022	1
	Left Hand	8926924	247-5027	1
	Right Hand	8926923	247-5028	1
	Right Hand, Remanufactured, .010" Undersize	8926923(.010)	247-5116	1
	Right Hand, .020" Undersize	8926923	247-5192	1



PART	NOTES	OE INTERCHANGE NUMBER	PART NUMBER	ORDER QTY
------	-------	-----------------------	-------------	-----------

19	Engine Code: '12V-92' 12 Cyl, 18.1L / 1104 CID, Bore 122.9mm / 4.840", Stroke 127.0mm / 5.000"; Supercharged	19
-----------	--	-----------

Cylinder Components

Cylinder Sleeve Assembly	17.0:1 CR, Turbocharged Engines, Contains High Brinell Sleeve, .950" Port Height, Contains Crosshead Piston, 2 Piece Piston	23524341	226-1738	12
	17.0:1 CR, Turbocharged Engines, Contains High Brinell Sleeve, Sleeve Has 1.05" Port Height, Contains Crosshead Piston, 2 Piece Piston	23524339	226-1739	12
Cylinder Sleeve	Turbocharged Engines, High Brinell Sleeve, 1.05" Port Height Sleeve, 30 Degrees	5148505	226-4467	12
	Turbocharged Engines, High Brinell Sleeve, .950" Port Height, 25 Degrees	5107176	226-4470	12
Piston	17.0:1 CR, Turbocharged Engines, Crosshead Style Piston, 2 Piece Piston	5149963	224-2272	12
Ring Set	Turbocharged Engines, Sleeved Engine, Keystone Top Compression Ring	23524349	S41410	12
Sleeve O-Ring Kit		8927189	223-7186	12

Engine Gaskets

Engine Valve Cover Gasket Set	For Steel Valve Cover, 2 Sets Required For Engine With Jacobs Engine Brake	5143405	VS39858	4
	For Aluminum Valve Cover, 2 Sets Required For Engine With Jacobs Engine Brake	5104018	VS39862	4
Valve Stem Seal (Exhaust)		8921209	B45767	48
Engine Timing Cover Seal	Single Lip	5114335	46843	1
	Oversize Seal, Includes Wear Sleeve	5197860	SS47870	1
Rear Main Seal	Single Lip	8926762	46844	1
		8926761	47913	1
		8929750		

Bearings

Connecting Rod Bearing (Pair)		5149572	CB-555P	12
		5149575	CB-555P-10	
		5149577	CB-555P-20	
		5149579	CB-555P-30	
Main Bearings (Single, Pair)	Turbocharged Engines	5149565	MB-2687P	7
		5149567	MB-2687P-10	
		5149568	MB-2687P-20	
		8922118	MB-2687P-30	
Thrust Washer Set	4 Per Package	5117005	TW-402S	1
Thrust Washer (Individual)		5117005	MB-2523W	4
Camshaft Bearing	Steel Bushing In Center Hole Not Included	5196026	SH-525	10
Camshaft Thrust Washer		5111424	SH-477W	4

PART	NOTES	OE INTERCHANGE NUMBER	PART NUMBER	ORDER QTY
------	-------	-----------------------	-------------	-----------

19 (cont.)	Engine Code: '12V-92' 12 Cyl, 18.1L / 1104 CID, Bore 122.9mm / 4.840", Stroke 127.0mm / 5.000"; Supercharged			19 (cont.)
-----------------------	--	--	--	-----------------------

Valve Train & Ancillary

Valve (Exhaust)	Valve Only	5106136 5149771	211-2439	48
Valve Guide	2.375" Length, Machined For Seal	5129919	217-3946	48
Valve Seat Insert		5148490	218-7813	48

Crankshaft

Crankshaft	Right Hand, Front And Rear, 2 Per Set	8927718 8927719	247-5118	1
------------	---------------------------------------	--------------------	----------	---

20	Engine Code: '50 Series' 4 Cyl, 8.5L / 519 CID, Bore 130.0mm / 5.118", Stroke 139.0mm / 5.472"; SOHC			20
-----------	--	--	--	-----------

Cylinder Components

Cylinder Sleeve Assembly	15.0:1 CR, 2.5MM Top Ring, Top Liner Cooling-Liner	23532555	226-1933•	4
	17.5:1 CR, 22MM Piston Pin, 2.5MM Top Ring, Top Liner Cooling-Liner	23532561	226-1990	4
	16.5:1 CR, 22MM Piston Pin, 2.5MM Top Ring, Top Liner Cooling-Liner	23532562	226-1992	4
Cylinder Sleeve	Top Liner Cooling-Liner	23531249	226-4573	4
Piston	17.5:1 CR, 22MM Piston Pin, Contained Within 226-1990	23530666	224-3627	4
	16.5:1 CR, 22MM Piston Pin, Contained Within 226-1992	23530668	224-3629	4
	15.0:1 CR, 2.5MM Top Ring	23519624	224-3800•	4
Piston Skirt		23521802	224-3583	4
Piston cooling nozzle	Piston Cooling Nozzle Kit	23528493	223-4000	4
Ring Set	2.5MM Top Ring	23503747	S41891	4
	3.5MM Top Ring	23505729	S41892	4
Piston Pin	22MM Piston Pin	23525168	223-1851	4
Lock Ring	2 Per Package	23521781	223-5511	4
Sleeve O-Ring Kit	Contains OE# (1)8929013 and (2)8929176 O-Rings	8929013 8929176	223-7207	4
Piston Pin Bolt	2 Per Package	8929337	223-5512	4

Engine Gaskets

Engine Valve Stem Seal Set		23523930	B45895	16
Engine Timing Cover Seal		23518355	67745	1
Rear Main Seal	Double Lipped Seal, Includes Wear Sleeve	23513578	67744	1
	Includes Wear Sleeve	23516969	68006•	1
		23519651	68007•	1

Miscellaneous Gaskets

Fuel Injector Seal Kit	Contains OE# 23511870, 5234702, 5234699(2), 5104701	See Note	GS33448	4
------------------------	---	----------	---------	---



PART	NOTES	OE INTERCHANGE NUMBER	PART NUMBER	ORDER QTY
------	-------	-----------------------	-------------	-----------

20
(cont.)Engine Code: '50 Series'
4 Cyl, 8.5L / 519 CID, Bore 130.0mm / 5.118", Stroke 139.0mm / 5.472"; SOHC20
(cont.)

Bearings

Connecting Rod Bearing (Pair)	1.704"/43.29mm Wide	8929710	CB-1662P	4
		8929711	CB-1662P-10	
	1.860"/47mm Wide, Wide Version	23515581	CB-1792P•	4
		23515582	CB-1792P-.25MM	
		23515583	CB-1792P-.50MM	
	Drilled Upper & Lower Bearings	23526142	CB-1836P	4
23527065		CB-1836P-.25MM		
23527066		CB-1836P-.50MM		
Main Bearing Set	Requires Thrust Washer Set, Thrust Washer Set Not Included, Contains OE#s: 8929670(4) And 8929680	See Note	MS-2092P	1
		See Note	MS-2092P-10	
		See Note	MS-2092P-20	
Main Bearings (Single, Pair)		8929670	MB-3561P•	4
		8929671	MB-3561P-10	
		8929672	MB-3561P-20	
		8929680	MB-3562P•	1
		8929681	MB-3562P-10	
		8929682	MB-3562P-20	
Thrust Washer Set	2 Per Package	8929085	TW-600S	1
		Exclusive	TW-600S+10	1
Camshaft Bearing		8929690	SH-1986	5

Valve Train & Ancillary

Valve (Intake)	Valve Only, Bare Valve OE# 23529629	23501576 23529629	211-3345	8
Valve (Exhaust)	Valve Only, Bare Valve OE# 23524521	23507504	211-3313	8
Valve Guide		23518571	217-4076	16
Valve Seat Insert (Intake)		8929127	218-8003	8
		8929625	218-8003.010	
Valve Seat Insert (Exhaust)		8929126	218-8002	8
		8929628	218-8002.010	

21

Engine Code: '60 Series (11.1L)'
6 Cyl, 11.1L / 677 CID, Bore 130.0mm / 5.118", Stroke 139.0mm / 5.472"; SOHC

21

Cylinder Components

Cylinder Sleeve Assembly	15.0:1 CR, 2.5MM Top Ring, Top Liner Cooling-Liner	23532555	226-1933•	6
	2.5MM Top Ring	23532590	226-2094•	6
Cylinder Sleeve		23532468	226-4558	6
	Top Liner Cooling-Liner	23531249	226-4573	6
Piston	15.0:1 CR, 2.5MM Top Ring	23519624	224-3800•	6
Ring Set	2.5MM Top Ring	23503747	S41891	6

PART	NOTES	OE INTERCHANGE NUMBER	PART NUMBER	ORDER QTY
------	-------	-----------------------	-------------	-----------

21 (cont.)	Engine Code: '60 Series (11.1L)' 6 Cyl, 11.1L / 677 CID, Bore 130.0mm / 5.118", Stroke 139.0mm / 5.472"; SOHC			21 (cont.)
-----------------------	---	--	--	-----------------------

Cylinder Components

Ring Set	3.5MM Top Ring	23505729	S41892	6
Lock Ring	2 Per Package	23521781	223-5511	6
Sleeve O-Ring Kit	Contains OE# (1)8929013 and (2)8929176 O-Rings	8929013 8929176	223-7207	6
Piston Pin Bolt	2 Per Package	8929337	223-5512	6

Engine Gaskets

Engine Full Gasket Set	Valve Cover Gasket Not Included, Oil Pan Gasket Not Included, Valve Stem Seals Not Included, Front And Rear Crankshaft Seals Not Included	23532720	FS54157	1
Engine Cylinder Head Gasket Set	Valve Cover Gasket Not Included, Valve Stem Seals Not Included	23532333 23536442	HS54157	1
Engine Conversion Gasket Set		Exclusive	CS54157A	1
Engine Cylinder Head Gasket		23532298 23538406	54157	1
Engine Cylinder Head Bolt Set	38 Per Package	23530768	GS33539	1
Engine Valve Cover Gasket Set	Gray, Early Model	23516322	VS50278	1
	Black, Late Model	23522269	VS50404	1
Engine Valve Stem Seal Set		23523930	B45914	24
Exhaust Manifold Gasket Set	3 Per Package	23533983	MS19666	1
Engine Oil Pan Gasket Set	Gray	8929102	OS32204	1
	Black	23522279 23539104	OS32382	1
Engine Timing Cover Seal		23518355	67745	1
Rear Main Seal	Double Lipped Seal, Includes Wear Sleeve	23513578	67744	1
	Includes Wear Sleeve	23516969	68006•	1
		23519651	68007•	1

Miscellaneous Gaskets

Fuel Injector Seal Kit	Contains OE# 23511870, 5234702, 5234699(2), 5104701	See Note	GS33448	6
------------------------	---	----------	---------	---

Bearings

Connecting Rod Bearing (Pair)	1.704"/43.29mm Wide	8929710	CB-1662P	6
		8929711	CB-1662P-10	
	1.860"/47mm Wide, Wide Version	23515581	CB-1792P•	6
		23515582	CB-1792P-.25MM	
23515583	CB-1792P-.50MM			
Main Bearing Set	Requires Thrust Washer Set, Thrust Washer Set Not Included, Contains OE# 8929670(6) And 8929680(1)	See Note	MS-2093P	1
		See Note	MS-2093P-10	



PART	NOTES	OE INTERCHANGE NUMBER	PART NUMBER	ORDER QTY
------	-------	-----------------------	-------------	-----------

21 (cont.)	Engine Code: '60 Series (11.1L)' 6 Cyl, 11.1L / 677 CID, Bore 130.0mm / 5.118", Stroke 139.0mm / 5.472"; SOHC			21 (cont.)
-----------------------------	--	--	--	-----------------------------

Bearings

Main Bearing Set		See Note	MS-2093P-20	
Main Bearings (Single, Pair)		8929670	MB-3561P•	6
		8929671	MB-3561P-10	
		8929672	MB-3561P-20	
		8929680	MB-3562P•	1
		8929681	MB-3562P-10	
		8929682	MB-3562P-20	
Thrust Washer Set	2 Per Package	8929085	TW-600S	1
		Exclusive	TW-600S+10	1
Camshaft Bearing		8929690	SH-1986	7

Valve Train & Ancillary

Valve (Intake)	Valve Only, Bare Valve OE# 23529629	23501576 23529629	211-3345	12
Valve (Exhaust)	Valve Only, Bare Valve OE# 23524521	23507504	211-3313	12
Valve Guide		23518571	217-4076	24
Valve Seat Insert (Intake)		8929127	218-8003	12
		8929625	218-8003.010	
Valve Seat Insert (Exhaust)		8929126	218-8002	12
		8929628	218-8002.010	

Crankshaft

Crankshaft		8929238	247-5069	1
-------------------	--	---------	-----------------	---

22	Engine Code: '60 Series (12.7L)' 6 Cyl, 12.7L / 778 CID, Bore 130.0mm / 5.118", Stroke 160.0mm / 6.299"; Turbocharged, SOHC			22
-----------	--	--	--	-----------

Cylinder Components

Cylinder Sleeve Assembly	15.0:1 CR, 2.5MM Top Ring, Top Liner Cooling-Liner	23532555	226-1933•	6
	17.5:1 CR, 22MM Piston Pin, 2.5MM Top Ring, Top Liner Cooling-Liner	23532561	226-1990	6
	17.5:1 CR, 26MM Piston Pin, 2.5MM Top Ring, Top Liner Cooling-Liner	23532883	226-1991	6
	16.5:1 CR, 22MM Piston Pin, 2.5MM Top Ring, Top Liner Cooling-Liner	23532562	226-1992	6
	16.5:1 CR, 26MM Piston Pin, 2.5MM Top Ring, Top Liner Cooling-Liner	23532885	226-1993	6
	2.5MM Top Ring	23532590	226-2094•	6
Cylinder Sleeve		23532468	226-4558	6
	Top Liner Cooling-Liner	23531249	226-4573	6
Piston	17.5:1 CR, 22MM Piston Pin, Contained Within 226-1990	23530666	224-3627	6



PART	NOTES	OE INTERCHANGE NUMBER	PART NUMBER	ORDER QTY
------	-------	-----------------------	-------------	-----------

22 (cont.)	Engine Code: '60 Series (12.7L)' 6 Cyl, 12.7L / 778 CID, Bore 130.0mm / 5.118", Stroke 160.0mm / 6.299"; Turbocharged, SOHC			22 (cont.)
-----------------------------	---	--	--	-----------------------------

Cylinder Components

Piston	17.5:1 CR, 26MM Piston Pin, Contained Within 226-1991	23532882	224-3628	6
	16.5:1 CR, 22MM Piston Pin, Contained Within 226-1992	23530668	224-3629	6
	16.5:1 CR, 26MM Piston Pin, Contained Within 226-1993	23532884	224-3630	6
	15.0:1 CR, 2.5MM Top Ring	23519624	224-3800•	6
Piston Skirt		23521802	224-3583	6
Piston cooling nozzle	Piston Cooling Nozzle Kit	23528493	223-4000	6
Ring Set	2.5MM Top Ring	23503747	S41891	6
	3.5MM Top Ring	23505729	S41892	6
Piston Pin	26MM Piston Pin	23521649	223-1850	6
	22MM Piston Pin	23525168	223-1851	6
Lock Ring	2 Per Package	23521781	223-5511	6
Sleeve O-Ring Kit	Contains OE# (1)8929013 and (2)8929176 O-Rings	8929013 8929176	223-7207	6
Piston Pin Bolt	2 Per Package	8929337	223-5512	6

Engine Gaskets

Engine Full Gasket Set	Valve Cover Gasket Not Included, Oil Pan Gasket Not Included, Valve Stem Seals Not Included, Front And Rear Crankshaft Seals Not Included	23532720	FS54157	1
	For EGR Engines, Valve Cover Gasket Not Included, Oil Pan Gasket Not Included, Valve Stem Seals Not Included, Front And Rear Crankshaft Seals Not Included	23536443	FS54157-A	1
Engine Cylinder Head Gasket Set	Valve Cover Gasket Not Included, Valve Stem Seals Not Included	23532333 23536442	HS54157	1
Engine Cylinder Head Gasket		23532298 23538406	54157	1
Engine Cylinder Head Bolt Set	38 Per Package	23530768	GS33539	1
Engine Valve Cover Gasket Set	Gray, Early Model	23516322	VS50278	1
	Black, Late Model	23522269	VS50404	1
Engine Valve Stem Seal Set		23523930	B45914	24
Exhaust Manifold Gasket Set	3 Per Package	23533983	MS19666	1
Engine Oil Pan Gasket Set	Gray	8929102	OS32204	1
	Black	23522279 23539104	OS32382	1
Engine Timing Cover Seal		23518355	67745	1
Rear Main Seal	Double Lipped Seal, Includes Wear Sleeve	23513578	67744	1
	Includes Wear Sleeve	23516969	68006•	1
		23519651	68007•	1

Miscellaneous Gaskets

Fuel Injector Seal Kit	Contains OE# 23511870, 5234702, 5234699(2), 5104701	See Note	GS33448	6
------------------------	---	----------	---------	---

PART	NOTES	OE INTERCHANGE NUMBER	PART NUMBER	ORDER QTY
------	-------	-----------------------	-------------	-----------

22
(cont.)Engine Code: '60 Series (12.7L)'
6 Cyl, 12.7L / 778 CID, Bore 130.0mm / 5.118", Stroke 160.0mm / 6.299"; Turbocharged, SOHC22
(cont.)

Bearings

Connecting Rod Bearing (Pair)	1.704"/43.29mm Wide	8929710	CB-1662P	6
		8929711	CB-1662P-10	
	1.860"/47mm Wide, Wide Version	23515581	CB-1792P•	6
		23515582	CB-1792P-.25MM	
		23515583	CB-1792P-.50MM	
	Drilled Upper & Lower Bearings	23526142	CB-1836P	6
		23527065	CB-1836P-.25MM	
		23527066	CB-1836P-.50MM	
		23526141	CB-1902P	6
		23533567	CB-1902P-.25MM	
23533568		CB-1902P-.50MM		
Main Bearing Set	Kit Lower End Bearings EGR	23535280	MH-23535280•	1
	Requires Thrust Washer Set, Thrust Washer Set Not Included, Contains OE# 8929670(6) And 8929680(1)	See Note	MS-2093P	1
		See Note	MS-2093P-10	
		See Note	MS-2093P-20	
	Without Machined Notches In Bearing Caps, Thrust Washer Set Not Included, Contains OE# 8929670(6), 23532926(1) Lower And 23533263(1) Upper	See Note	MS-2313P	1
		See Note	MS-2313P-10	
See Note		MS-2313P-20		
Thrust Kit for 4 Thrust Washers, Contains One Each Upper And Lower Std Thrust Bearings And Four Std Thrust Washers	23535010	MS-2346P•	1	
Main Bearings (Single, Pair)		8929670	MB-3561P•	6
		8929671	MB-3561P-10	
		8929672	MB-3561P-20	
		8929680	MB-3562P•	1
		8929681	MB-3562P-10	
		8929682	MB-3562P-20	
Thrust Washer Set	2 Per Package	8929085	TW-600S	1
		Exclusive	TW-600S+10	1
	With Machined Notches In Bearing Caps, Contains OE# (2)23530554 Front And (2)23530555 Rear Thrust Washers	23533688	TW-696S	1
Camshaft Bearing		8929690	SH-1986	7

Valve Train & Ancillary

Valve (Intake)	Valve Only, Bare Valve OE# 23529629	23501576 23529629	211-3345	12
Valve (Exhaust)	Valve Only, Bare Valve OE# 23524521	23507504	211-3313	12
Valve Guide		23518571	217-4076	24
Valve Seat Insert (Intake)		8929127	218-8003	12
		8929625	218-8003.010	

PART	NOTES	OE INTERCHANGE NUMBER	PART NUMBER	ORDER QTY
------	-------	-----------------------	-------------	-----------

22 (cont.)	Engine Code: '60 Series (12.7L)' 6 Cyl, 12.7L / 778 CID, Bore 130.0mm / 5.118", Stroke 160.0mm / 6.299"; Turbocharged, SOHC			22 (cont.)
-----------------------------	---	--	--	-----------------------------

Valve Train & Ancillary

Valve Seat Insert (Exhaust)		8929126	218-8002	12
		8929628	218-8002.010	

Turbochargers

Turbocharger		23528065	098 TC 21101 000	1
		23504966 23504967	098 TC 24130 000	1
		23503732 23507908	098 TC 24131 000•	1
		23508410	098 TC 24132 000•	1
		23508405 23528029	098 TC 24133 000	1
		23515635 23516431	098 TC 24136 000	1
		23523197	098 TC 24137 000	1
		23528066	098 TC 25592 000	1
		23528059	098 TC 25606 000	1

Crankshaft

Crankshaft		23515599	247-5236	1
------------	--	----------	----------	---

23	Engine Code: '60 Series (14.0L)' 6 Cyl, 14.0L / 855 CID, Bore 133.1mm / 5.240", Stroke 167.9mm / 6.610"; Turbocharged, SOHC			23
-----------	---	--	--	-----------

Cylinder Components

Cylinder Sleeve Assembly	17.5:1 CR, Bushingless	23530661	226-2043	6
	16.0:1 CR, Oval Piston Design, Bushingless	23530663	226-2044	6
	16.0:1 CR, Cut Back Design	23530665	226-2045	6
	15.1:1 CR, Marine, 3MM Top Ring	23533452	226-2046	6
	Contains Monotherm Piston OE# 23537126	23538831	226-2099•	6
Cylinder Sleeve		23531250	226-4583	6
		23537530	226-4632•	6
Piston	17.5:1 CR, Bushingless, Contained Within 226-2043	23530660	224-3738	6
	16.0:1 CR, Oval Piston Design, Contained Within 226-2044	23530662	224-3739	6
	16.0:1 CR, Cut Back Design, Contained Within 226-2045	23530664	224-3740	6
	15.1:1 CR, Marine, 3MM Top Ring, Contained Within 226-2046	23533453	224-3741	6
	Monotherm, Piston OE#: 23537126	23537899	224-3864•	6
Piston Crown	15.0:1 CR	23530595	224-3738X	6
	16.0:1 CR	23530597	224-3739X	6
	16.0:1 CR, Cut Back	23527774	224-3740X	6
	15.1:1 CR, Marine	23530766	224-3741X	6



PART	NOTES	OE INTERCHANGE NUMBER	PART NUMBER	ORDER QTY
------	-------	-----------------------	-------------	-----------

23
(cont.)

Engine Code: '60 Series (14.0L)'
6 Cyl, 14.0L / 855 CID, Bore 133.1mm / 5.240", Stroke 167.9mm / 6.610"; Turbocharged, SOHC

23
(cont.)

Cylinder Components

Piston Skirt		23529997	224-3743X	6
Piston cooling nozzle	Piston Cooling Nozzle Kit	23528493	223-4000	6
Ring Set		23533510	S42132	6
	To be Used With Two Piece Ferrotherm Pistons, And One Piece Monotherm Piston OE# 23533282, Keystone Second Compression Ring	23531252	S42133	6
	To be Used With One-Piece Monotherm Pistons OE#: 23537126 or 23536674, Rectangular Second Compression Ring	23537529	S42262•	6
Piston Pin		23539049	223-1933	6
		23539051	223-1976•	6
Lock Ring	2 Per Package	23521781	223-5511	6
Sleeve O-Ring Kit	Contains OE# (1)8929013 and (2)8929176 O-Rings	8929013 8929176	223-7207	6

Engine Gaskets

Engine Full Gasket Set	Valve Cover Gasket Not Included, Oil Pan Gasket Not Included, Valve Stem Seals Not Included, Front And Rear Crankshaft Seals Not Included	23532720	FS54157	1
	For EGR Engines, Valve Cover Gasket Not Included, Oil Pan Gasket Not Included, Valve Stem Seals Not Included, Front And Rear Crankshaft Seals Not Included	23536443	FS54157-A	1
Engine Cylinder Head Gasket Set	Valve Cover Gasket Not Included, Valve Stem Seals Not Included	23532333 23536442	HS54157	1
Engine Cylinder Head Gasket		23532298 23538406	54157	1
Engine Cylinder Head Bolt Set	38 Per Package	23530768	GS33539	1
Engine Valve Cover Gasket Set	Gray, Early Model	23516322	VS50278	1
	Black, Late Model	23522269	VS50404	1
Engine Valve Stem Seal Set		23523930	B45914	24
Exhaust Manifold Gasket Set	3 Per Package	23533983	MS19666	1
Engine Oil Pan Gasket Set	Gray	8929102	OS32204	1
	Black	23522279 23539104	OS32382	1
Engine Timing Cover Seal		23518355	67745	1
Rear Main Seal	Double Lipped Seal, Includes Wear Sleeve	23513578	67744	1
	Includes Wear Sleeve	23516969	68006•	1
		23519651	68007•	1

Miscellaneous Gaskets

Fuel Injector Seal Kit		23537111	GS33633	6
------------------------	--	----------	---------	---

PART	NOTES	OE INTERCHANGE NUMBER	PART NUMBER	ORDER QTY
------	-------	-----------------------	-------------	-----------

23 (cont.)	Engine Code: '60 Series (14.0L)' 6 Cyl, 14.0L / 855 CID, Bore 133.1mm / 5.240", Stroke 167.9mm / 6.610"; Turbocharged, SOHC			23 (cont.)
-----------------------	---	--	--	-----------------------

Bearings

Connecting Rod Bearing (Pair)		23526141	CB-1902P	6
		23533567	CB-1902P-.25MM	
		23533568	CB-1902P-.50MM	
Main Bearing Set	Kit Lower End Bearings EGR	23535280	MH-23535280•	1
	Requires Thrust Washer Set, Thrust Washer Set Not Included, Contains OE# 8929670(6) And 8929680(1)	See Note	MS-2093P	1
		See Note	MS-2093P-10	
		See Note	MS-2093P-20	
	With Machined Notches In Bearing Caps, Thrust Washer Set Not Included, Contains OE# 8929670(7)	See Note	MS-2310P	1
		See Note	MS-2310P-10	
		See Note	MS-2310P-20	
	Without Machined Notches In Bearing Caps, Thrust Washer Set Not Included, Contains OE# 8929670(6), 23532926(1) Lower And 23533263(1) Upper	See Note	MS-2313P	1
		See Note	MS-2313P-10	
		See Note	MS-2313P-20	
Thrust Kit for 4 Thrust Washers, Contains One Each Upper And Lower Std Thrust Bearings And Four Std Thrust Washers	23535010	MS-2346P•	1	
Main Bearings (Single, Pair)		8929670	MB-3561P•	6
		8929671	MB-3561P-10	
		8929672	MB-3561P-20	
		8929680	MB-3562P•	1
		8929681	MB-3562P-10	
		8929682	MB-3562P-20	
Thrust Washer Set	With Machined Notches In Bearing Caps, Contains OE# (2)23530554 Front And (2)23530555 Rear Thrust Washers	23533688	TW-696S	1
	4 Per Package, Without Machined Notches In Bearing Caps	8929085	TW-700S	1
Camshaft Bearing		8929690	SH-1986	7

Valve Train & Ancillary

Valve Guide		23518571	217-4076	24
Valve Seat Insert (Intake)		8929127	218-8003	12
		8929625	218-8003.010	
Valve Seat Insert (Exhaust)		8929126	218-8002	12
		8929628	218-8002.010	

Crankshaft

Crankshaft		23527225	247-5224	1
-------------------	--	----------	-----------------	---



PART	NOTES	OE INTERCHANGE NUMBER	PART NUMBER	ORDER QTY
------	-------	-----------------------	-------------	-----------

24	Engine Code: '12V-149' 12 Cyl, 29.3L / 1788 CID, Bore 146.1mm / 5.750", Stroke 146.1mm / 5.750"; Turbocharged			24
-----------	---	--	--	-----------

Bearings

Connecting Rod Bearing (Pair)		5198547	CB-1180P	12
-------------------------------	--	---------	----------	----

Crankshaft

Crankshaft		23502366	247-5044	2
	.010" Undersize	23502366	247-5073	2
	.010" Undersize, Remanufactured	23502367(.010)	247-5121	2

25	Engine Code: '16V-149' 16 Cyl, 39.1L / 2384 CID, Bore 146.1mm / 5.750", Stroke 146.1mm / 5.750"; Supercharged			25
-----------	---	--	--	-----------

Engine Gaskets

Engine Valve Stem Seal Set		23523930	B45895	32
Engine Oil Pan Gasket Set	For Engine With Stamped Steel Oil Pan	5117231	OS31790	1

Miscellaneous Gaskets

Engine Coolant Thermostat Seal		5132155	GS27706	1
--------------------------------	--	---------	---------	---

Bearings

Connecting Rod Bearing (Pair)		5198547	CB-1180P	16
-------------------------------	--	---------	----------	----

Crankshaft

Crankshaft		8927993	247-5043	1
------------	--	---------	----------	---

DETROIT DIESEL CYLINDER SLEEVE ASSEMBLY COMPONENT INTERCHANGES

MAHLE

Bore	Part No.	OE Interchange Number	Qty
3.875 226-1477			
Cylinder Sleeve:	226-4415	5132803	1
Sleeve O-Ring Kit:	223-7140	5121256	1
Piston:	224-2486	5198877	1
Ring Set:	S41154	5198902	1
3.875 226-1478			
Cylinder Sleeve:	226-4415	5132803	1
Sleeve O-Ring Kit:	223-7140	5121256	1
Piston:	224-3282	5195931	1
Ring Set:	S41154	5198902	1
4.010 226-1830			
Cylinder Sleeve:	226-4541		1
Sleeve O-Ring Kit:	223-7191		1
Piston:	224-3262		1
Ring Set:	S41515		1
4.250 226-1633			
Cylinder Sleeve:	226-4466	23502020 23502021 23502022	1
Piston:	224-2485	5149234	1
Ring Set:	S40653	23514970	1
4.250 226-1945			
Cylinder Sleeve:	226-4466	23502020 23502021 23502022	1
Piston:	224-2360	23522495	1
Ring Set:	S41900	23522955	1
4.250 226-1946			
Cylinder Sleeve:	226-4466	23502020 23502021 23502022	1
Piston:	224-2260	23522497	1
Ring Set:	S41900	23522955	1
4.300 226-1962			
Cylinder Sleeve:	226-4567	1815674C1	1
Sleeve O-Ring Kit:	223-7211	1822322C93	1
Piston:	224-3350	1823313C1	1
Ring Set:	S41781	1817247C91	1

Bore	Part No.	OE Interchange Number	Qty
4.840 226-1738			
Cylinder Sleeve:	226-4470	5107176	1
Sleeve O-Ring Kit:	223-7186	8927189	1
Piston:	224-2272	5149963	1
Ring Set:	S41410	23524349	1
4.840 226-1739			
Cylinder Sleeve:	226-4467	5148505	1
Sleeve O-Ring Kit:	223-7186	8927189	1
Piston:	224-2272	5149963	1
Ring Set:	S41410	23524349	1
5.118 226-1933			
Cylinder Sleeve:	226-4573	23531249	1
Sleeve O-Ring Kit:	223-7207	8929013 8929176	1
Piston:	224-3800	23519624	1
Ring Set:	S41891	23503747	1
5.118 226-1990			
Cylinder Sleeve:	226-4573	23531249	1
Sleeve O-Ring Kit:	223-7207	8929013 8929176	1
Piston:	224-3627	23530666	1
Piston Pin:	223-1851	23525168	1
Lock Ring:	223-5511	23521781	2
Ring Set:	S41891	23503747	1
5.118 226-1991			
Cylinder Sleeve:	226-4573	23531249	1
Sleeve O-Ring Kit:	223-7207	8929013 8929176	1
Piston:	224-3628	23532882	1
Piston Pin:	223-1850	23521649	1
Lock Ring:	223-5511	23521781	2
Ring Set:	S41891	23503747	1
5.118 226-1992			
Cylinder Sleeve:	226-4573	23531249	1
Sleeve O-Ring Kit:	223-7207	8929013 8929176	1
Piston:	224-3629	23530668	1
Piston Pin:	223-1851	23525168	1
Lock Ring:	223-5511	23521781	2
Ring Set:	S41891	23503747	1

VICTOR REINZ®
Sealing Products



MAHLE®
ORIGINAL

DETROIT DIESEL CYLINDER SLEEVE ASSEMBLY COMPONENT INTERCHANGES

MAHLE

Bore	Part No.	OE Interchange Number	Qty
5.118 226-1993			
Cylinder Sleeve:	226-4573	23531249	1
Sleeve O-Ring Kit:	223-7207	8929013 8929176	1
Piston:	224-3630	23532884	1
Piston Pin:	223-1850	23521649	1
Lock Ring:	223-5511	23521781	2
Ring Set:	S41891	23503747	1

5.118 226-2094			
Cylinder Sleeve:	226-4558	23532468	1
Sleeve O-Ring Kit:	223-7207	8929013 8929176	1
Piston:	224-3800	23519624	1
Ring Set:	S41891	23503747	1

5.240 226-2043			
Cylinder Sleeve:	226-4583	23531250	1
Sleeve O-Ring Kit:	223-7207	8929013 8929176	1
Piston:	224-3738	23530660	1
Piston Pin:	223-1933	23539049	1
Lock Ring:	223-5511	23521781	2
Ring Set:	S42133	23531252	1

5.240 226-2044			
Cylinder Sleeve:	226-4583	23531250	1
Sleeve O-Ring Kit:	223-7207	8929013 8929176	1
Piston:	224-3739	23530662	1
Piston Pin:	223-1933	23539049	1
Lock Ring:	223-5511	23521781	2
Ring Set:	S42133	23531252	1

5.240 226-2045			
Cylinder Sleeve:	226-4583	23531250	1
Sleeve O-Ring Kit:	223-7207	8929013 8929176	1
Piston:	224-3740	23530664	1
Piston Pin:	223-1933	23539049	1
Lock Ring:	223-5511	23521781	2
Ring Set:	S42133	23531252	1

5.240 226-2046			
Cylinder Sleeve:	226-4583	23531250	1
Sleeve O-Ring Kit:	223-7207	8929013	1

Bore	Part No.	OE Interchange Number	Qty
		8929176	
Piston:	224-3741	23533453	1
Piston Pin:	223-1933	23539049	1
Lock Ring:	223-5511	23521781	2
Ring Set:	S42132	23533510	1

5.240 226-2099			
Cylinder Sleeve:	226-4632	23537530	1
Sleeve O-Ring Kit:	223-7207	8929013 8929176	1
Piston:	224-3864	23537899	1
Piston Pin:	223-1976	23539051	1
Ring Set:	S42262	23537529	1

MAHLE
ORIGINAL



VICTOR REINZ

Sealing Products

Model	No. Cyls.	Liter	CID	Bore (mm)	Bore (IN)	Stroke (mm)	Stroke (IN)	Line No.
E7	6	11.9	730	123.8	4.875	165.1	6.5	1
MP8	6	12.8	781	131.0	5.157	158.0	6.2	3
MP8-415C	6	12.8	781	131.0	5.157	158.0	6.2	2
MP8-425E	6	12.8	781	131.0	5.157	158.0	6.2	2
MP8-425M	6	12.8	781	131.0	5.157	158.0	6.2	2
MP8-445C	6	12.8	781	131.0	5.157	158.0	6.2	2
MP8-455E	6	12.8	781	131.0	5.157	158.0	6.2	2
MP8-455M	6	12.8	781	131.0	5.157	158.0	6.2	2
MP8-485C	6	12.8	781	131.0	5.157	158.0	6.2	2
MP8-485E	6	12.8	781	131.0	5.157	158.0	6.2	2
MP8-485M	6	12.8	781	131.0	5.157	158.0	6.2	2

LINE #	NOTES	PART DESCRIPTION	OVERHAUL	QTY	IN-FRAME	QTY
1	Engine Code: 'E7' 6 Cyl, 11.9L / 730 CID, Bore 123.8mm / 4.875", Stroke 165.1mm / 6.500"; 1979-2011					1
1.1	Contains OE# 215SB220A Sleeve Assembly Contains OE# 215SB232A Piston Assembly 16.9:1 CR OE Main Bearing Number(s) 57GC387 OE Rod Bearing Number(s) 62GB2396A, 62GB2396AP1	Kit Number	480-1017			
		Cylinder Sleeve Assembly	226-2078	6		
		Main Bearing Set	MS-1982P	1		
		Undersizes	P-10			
		Connecting Rod Bearing (Pair)	CB-1598P	6		
		Undersizes	P-10-20			
		Engine Cylinder Head Gasket Set	HS54831-3	1		
		Engine Cylinder Head Gasket	CH54164CH	2		
		Engine Conversion Gasket Set	CS54831-3	1		
1.2	E-Tech Engines Contains OE# 215SB219E Sleeve Assembly Contains OE# 215SB231A Piston Assembly 16.5:1 CR OE Main Bearing Number(s) 57GC387 OE Rod Bearing Number(s) 62GB2396A, 62GB2396AP1	Kit Number	480-1018			
		Cylinder Sleeve Assembly	226-2077	6		
		Main Bearing Set	MS-1982P	1		
		Undersizes	P-10			
		Connecting Rod Bearing (Pair)	CB-1598P	6		
		Undersizes	P-10-20			
		Engine Cylinder Head Gasket Set	HS54831-1	1		
		Engine Cylinder Head Gasket	54831	2		
		Engine Conversion Gasket Set	CS54831-2	1		
1.3	Contains OE# 215SB219E Sleeve Assembly Contains OE# 215SB231A Piston Assembly 16.5:1 CR OE Main Bearing Number(s) 57GC387 OE Rod Bearing Number(s) 62GB2396A, 62GB2396AP1	Kit Number	480-1022			
		Cylinder Sleeve Assembly	226-2077	6		
		Main Bearing Set	MS-1982P	1		
		Connecting Rod Bearing (Pair)	CB-1598P	6		
		Undersizes	P-10-20			
		Engine Cylinder Head Gasket Set	HS54831-3	1		
		Engine Cylinder Head Gasket	CH54164CH	2		
		Engine Conversion Gasket Set	CS54831-3	1		

LINE #	NOTES	PART DESCRIPTION	OVERHAUL	QTY	IN-FRAME	QTY
2	Engine Codes: 'MP8-415C, MP8-425E, MP8-425M, MP8-445C, MP8-455E, MP8-455M, MP8-485C, MP8-485E, MP8-485M'					2
	6 Cyl, 12.8L / 781 CID, Bore 131.0mm / 5.157", Stroke 158.0mm / 6.220"; Turbocharged, EPA07 Engines					
2.1	EPA07 Engine Contains OE# 20928630 Sleeve Assembly For Cast Steel Oil Pan OE Rod Bearing Number(s) 20580558 OE Main Bearing Number(s); 20530916	Kit Number			480-5021	
		Cylinder Sleeve Assembly			226-2092	6
		Main Bearing Set			MS-2338P	1
		Undersizes			P-25MM-50MM	
		Connecting Rod Bearing Set			CB-1963AP(6)	1
		Undersizes			P-25MM(6)-50M M(6)	
		Thrust Washer Set			TW-717S	1
		Engine Cylinder Head Gasket Set			HS54894	1
		Engine Oil Pan Gasket Set			OS32430	1

3	Engine Code: 'MP8'					3
	6 Cyl, 12.8L / 781 CID, Bore 131.0mm / 5.157", Stroke 158.0mm / 6.220"; Turbocharged, Euro Emission Standards					
3.1	Engine Euro Contains OE# 21209650 Sleeve Assembly For Cast Steel Oil Pan OE Rod Bearing Number(s) 20580558 OE Main Bearing Number(s); 20530916	Kit Number			480-5020	
		Cylinder Sleeve Assembly			226-2091	6
		Main Bearing Set			MS-2338P	1
		Undersizes			P-25MM-50MM	
		Connecting Rod Bearing Set			CB-1963AP(6)	1
		Undersizes			P-25MM(6)-50M M(6)	
		Thrust Washer Set			TW-717S	1
		Engine Cylinder Head Gasket Set			HS54894	1
		Engine Oil Pan Gasket Set			OS32430	1

Model	No. Cyls.	Liter	CID	Bore (mm)	Bore (IN)	Stroke (mm)	Stroke (IN)	Line No.
E6	6	11.0	672	123.8	4.875	152.4	6.0	2
E7	6	11.9	730	123.8	4.875	165.1	6.5	1
MP8	6	12.8	781	131.0	5.157	158.0	6.2	4
MP8-415C	6	12.8	781	131.0	5.157	158.0	6.2	3
MP8-425E	6	12.8	781	131.0	5.157	158.0	6.2	3
MP8-425M	6	12.8	781	131.0	5.157	158.0	6.2	3
MP8-445C	6	12.8	781	131.0	5.157	158.0	6.2	3
MP8-455E	6	12.8	781	131.0	5.157	158.0	6.2	3
MP8-455M	6	12.8	781	131.0	5.157	158.0	6.2	3
MP8-485C	6	12.8	781	131.0	5.157	158.0	6.2	3
MP8-485E	6	12.8	781	131.0	5.157	158.0	6.2	3
MP8-485M	6	12.8	781	131.0	5.157	158.0	6.2	3

PART	NOTES	OE INTERCHANGE NUMBER	PART NUMBER	ORDER QTY
------	-------	-----------------------	-------------	-----------

1	Engine Code: 'E7' 6 Cyl, 11.9L / 730 CID, Bore 123.8mm / 4.875", Stroke 165.1mm / 6.500"; 1979-2011			1
----------	---	--	--	----------

Cylinder Components

Cylinder Sleeve Assembly	16.5:1 CR, E-Tech Engines, Contains OE# 215SB231A Piston Assembly	215SB219E	226-2077•	6
	16.9:1 CR, Contains OE# 215SB232A Piston Assembly	215SB220A	226-2078•	6
Cylinder Sleeve		20706103 509GC463	226-4615	6
Piston	16.9:1 CR	215SB232A	224-3814•	6
	E-Tech Engines, 16.5:1 CR	215SB231A	224-3827•	6
Piston Skirt		240GC590	224-3816X	6
Ring Set	For Two Piece Articulated Piston, Moly Chrome Carbide Ductile Key Rings	353GC2133	S41678	6
Piston Pin		182GC2223	223-1965	6

Engine Gaskets

Engine Cylinder Head Gasket Set	E-Tech Engines	215SB334A 57GC2178A	HS54831-1	1
	EGR Engines	215SB337A	HS54831-2	1
	Early Models	215SB333 57GC2118B	HS54831-3	1
Engine Conversion Gasket Set	For Engines Built From 12/17/2003 - Up	21089679 57GC3133A	CS54831-1	1
		126SB191A	CS54831-2	1
	Early Models	57GC2119 85134474	CS54831-3	1
Engine Cylinder Head Gasket		57GC2176	54831	2
		57GC2115A	CH54164CH	2
Engine Valve Cover Gasket Set		554GB321	VS50622	1
Engine Valve Stem Seal Set	24 Per Package	446GC328	SS45885	1
Exhaust Manifold Gasket	6 Per Package	573GB257A	MS19846	1
Engine Oil Pan Gasket Set		579GB41E	OS32200	1
	Contains OE# (30)41GC212 Isolator	579GB422	OS32408	1
Engine Timing Cover Seal	Teflon	25633195 446GC310P2	67946	1
Rear Main Seal	Viton, Wet Housing, With Starter Mounts At 90 Degrees Between #3 And #4 Quadrants	446GC238B	46773	1
	Rubber, Includes Wear Sleeve	57GC186A	48041	1

Miscellaneous Gaskets

EGR Valve Gasket		573GB323	G32544	1
Turbocharger Gasket		590GB48	G32545	1
Fuel Injector Seal Kit	Contains (1) 590GB2166, (1) 446GC2124 and (1) 446GC2125	See Note	GS33649	6
		207SB12	GS33650	6



PART	NOTES	OE INTERCHANGE NUMBER	PART NUMBER	ORDER QTY
------	-------	-----------------------	-------------	-----------

1 (cont.)	Engine Code: 'E7' 6 Cyl, 11.9L / 730 CID, Bore 123.8mm / 4.875", Stroke 165.1mm / 6.500"; 1979-2011	1 (cont.)		
----------------------------	---	----------------------------	--	--

Bearings

Connecting Rod Bearing (Pair)		62GB2396A 62GB2396AP1	CB-1598P	6
		62GB2396AP10	CB-1598P-10	
		62GB2396AP20 62GB2396P20	CB-1598P-20	
Main Bearing Set	Contains 4 Piece Thrust Washer Set, Use In Number 4 Position	57GC387	MS-1982P	1
		57GC383P10 57GC387AP10	MS-1982P-10	
Thrust Washer Set	4 Per Package, Position Number 4	57GC2144	TW-582S	1
Camshaft Bearing Set	From 8/87, Late Design	57GC2132	SH-1450S	1
		57GC2129	SH-2141S	1

Valve Train & Ancillary

Valve (Intake)	4 Valve Head, Stem Diameter .373	690GC2210	211-3173	12
Valve (Exhaust)	4 Valve Head, Stem Diameter .372	688GC2378	211-3174	12
Valve Guide (Intake & Exhaust)	4 Valve Head, Stem Diameter .372	714GB222P2	217-4091	24

Turbochargers

Turbocharger	Mack Truck E7 12L, Turbo Family: S300A113	631GC5172AM5 631GC5172M5	193 TC 24277 000	1
	Mack Truck EM6-285, ETSZ-676A Engine, Turbo Family: 4LE-292	631GC5105P7	193 TC 24657 000	1

Crankshaft

Crankshaft		456GC2156	247-5205	1
------------	--	-----------	-----------------	---

2	Engine Code: 'E6' 6 Cyl, 11.0L / 672 CID, Bore 123.8mm / 4.875", Stroke 152.4mm / 6.000"	2		
----------	--	----------	--	--

Cylinder Components

Piston	Dual Ni-Resist Inserts, 4 Valve Cylinder Head	215SB228	224-2258	6
Ring Set	Chrome Ductile Compression Ring, Chrome Second Ring	353GC280B	S41316	6
		353GC2139	S41418	6

Engine Gaskets

Engine Push Rod Cover Gasket Set		601GB31D	VS50421	1
Engine Oil Pan Gasket Set	Segmented 4 Piece Oil Pan Gasket	579GB41C	OS21998	1
Rear Main Seal	Viton, Wet Housing, With Starter Mounts At 90 Degrees Between #3 And #4 Quadrants	446GC238B	46773	1
	Rubber, Includes Wear Sleeve	57GC186A	48041	1



PART	NOTES	OE INTERCHANGE NUMBER	PART NUMBER	ORDER QTY
------	-------	-----------------------	-------------	-----------

2 (cont.)	Engine Code: 'E6' 6 Cyl, 11.0L / 672 CID, Bore 123.8mm / 4.875", Stroke 152.4mm / 6.000"			2 (cont.)
----------------------------	--	--	--	----------------------------

Miscellaneous Gaskets

Engine Coolant Thermostat Seal		447GC216 447GC216A	GS27706	1
---------------------------------------	--	-----------------------	----------------	---

Bearings

Connecting Rod Bearing (Pair)	Used in OE# 367GC4247P2 Connecting Rod	62GB2393P1	CB-1379P	6
		62GB2393P10	CB-1379P-10	
		62GB2393P20	CB-1379P-20	
		62GB2393P30	CB-1379P-30	
	Used in OE# 367GC3219P2 Connecting Rod	62GB2382P1	CB-599P	6
		62GB2382P10	CB-599P-10	
		62GB2382P20	CB-599P-20	
		62GB2382P30	CB-599P-30	
Main Bearing Set	Contains 4 Piece Thrust Washer Set, Use In Number 4 Position, Contains Stepped Dowel Pins	215SB72DP1	MS-954P	1
		215SB72DP2	MS-954P-10	
		215SB72DP3	MS-954P-20	
		215SB72DP4	MS-954P-30	
Thrust Washer Set	.250" Or .375" Dowel Pin Holes, 4.000" Diameter Main Bearing Journals, 4 Per Package, Contains Stepped Dowel Pins, Crankshaft, Position Number 4	57GC279	TW-422S	1
Piston Pin Bushing	Engines With 2.000" Piston Pin Diameter, Requires Boring	187GB138	223-3544	6
Camshaft Bearing Set	From 8/87, Late Design	57GC2132	SH-1450S	1
	Thrust Bearing Kit for Camshaft and Auxiliary Shaft Bearings, Contains Dowel Pins And 2 Thrust Washers 2.500" Inside Diameter, Use With Camshaft Bearing Sets SH-676S, SH-693S, SH-993S, SH-1450S And Auxiliary Shaft Bearing Set SH-563S	701GC11A	SH-566WS	1
	Camshaft With 2.440" Diameter Number 7 Bearing Journal, From 8/87, Late Design, Thru 8/87	57GC268	SH-676S	1
	Early Design, Slotted Bearings In Positions 2 And 5	59GB1109C 59GB1122P1 59GB122B 59GB188CP1	SH-693S	1
	Camshaft With 2.250" Diameter Number 7 Bearing Journal, Late Design, Thru 4/84	57GC266	SH-993S	1
Auxiliary Shaft Bearing Set		57GC267	SH-563S	1

Valve Train & Ancillary

Valve (Intake)	4 Valve Head, Stem Diameter .373	690GC2210	211-3173	12
Valve (Exhaust)	4 Valve Head, Stem Diameter .372	688GC2378	211-3174	12

Turbochargers

Turbocharger	Mack Truck E6 With ETZ-673 Engine, Turbo Family: 4LE-303	631GC463 631GC5103	193 TC 24651 000	1
	Mack Truck E6 With ETZ-673A, ETZ-675 Engine, Turbo Family: 4LE-354	631GC487P1	193 TC 24652 000	1



PART	NOTES	OE INTERCHANGE NUMBER	PART NUMBER	ORDER QTY
------	-------	-----------------------	-------------	-----------

2 (cont.)	Engine Code: 'E6' 6 Cyl, 11.0L / 672 CID, Bore 123.8mm / 4.875", Stroke 152.4mm / 6.000"			2 (cont.)
----------------------	---	--	--	----------------------

Turbochargers

Turbocharger	Mack Truck ENDT-676A, ETSX-675 Engine, Turbo Family: 4LE-292	631GC485A 631GC5100P2	193 TC 24656 000	1
	Mack Truck EM6-285, ETSZ-676A Engine, Turbo Family: 4LE-292	631GC5105P7	193 TC 24657 000	1

3	Engine Codes: 'MP8-415C, MP8-425E, MP8-425M, MP8-445C, MP8-455E, MP8-455M, MP8-485C, MP8-485E, MP8-485M' 6 Cyl, 12.8L / 781 CID, Bore 131.0mm / 5.157", Stroke 158.0mm / 6.220"; Turbocharged, EPA07 Engines			3
----------	---	--	--	----------

Cylinder Components

Cylinder Sleeve Assembly		20928630	226-2092•	6
Cylinder Sleeve		20760235	226-4622•	6
Piston		21041800	224-3859•	6
Piston (Bare)		21041800	224-3859X•	6
Ring Set		20747511	S42231	6
Sleeve O-Ring Kit		270950	223-7222	6

Engine Gaskets

Engine Cylinder Head Gasket Set		21409435	HS54894	1
Engine Cylinder Head Bolt Set	38 Per Package	1547419	GS33689	1
Engine Valve Stem Seal Set	24 Per Package	20864662	SS46065	1
Engine Oil Pan Gasket Set	For Cast Steel Oil Pan	21293367	OS32430•	1

Bearings

Connecting Rod Bearing Set		20580558	CB-1963AP(6)	1
		20711963	CB-1963AP-.25MM(6)	
		20711964	CB-1963AP-.50MM(6)	
Main Bearing Set		20530916	MS-2338P•	1
		20578624	MS-2338P-.25MM	
		20578625	MS-2338P-.50MM	
Thrust Washer Set	4 Per Package	21267844	TW-717S	1

Valve Train & Ancillary

Valve (Intake)		20740798	211-4307•	12
Valve (Exhaust)		20768519	211-4308•	12

Filters

Spin-on oil filter	By-Pass Filter	20843764	OC 282	1
	Long Life	20539275	OC 370	2
Spin-on fuel filter		20972295	KC 300	1



PART	NOTES	OE INTERCHANGE NUMBER	PART NUMBER	ORDER QTY
------	-------	-----------------------	-------------	-----------

3 (cont.)	Engine Codes: 'MP8-415C, MP8-425E, MP8-425M, MP8-445C, MP8-455E, MP8-455M, MP8-485C, MP8-485E, MP8-485M' 6 Cyl, 12.8L / 781 CID, Bore 131.0mm / 5.157", Stroke 158.0mm / 6.220"; Turbocharged, EPA07 Engines	3 (cont.)
----------------------	---	----------------------

Cooling and Climatization

Thermostat, heavy duty	82° Celcius	21412639	THD 3 82	1
------------------------	-------------	----------	----------	---

4	Engine Code: 'MP8' 6 Cyl, 12.8L / 781 CID, Bore 131.0mm / 5.157", Stroke 158.0mm / 6.220"; Turbocharged, Euro Emission Standards	4
----------	---	----------

Cylinder Components

Cylinder Sleeve Assembly		21209650	226-2091	6
Cylinder Sleeve		20760235	226-4622•	6
Piston		21105177	224-3858•	6
Piston (Bare)		21105177	224-3858X	6
Ring Set		20747511	S42231	6
Sleeve O-Ring Kit		270950	223-7222	6

Engine Gaskets

Engine Cylinder Head Gasket Set		21409435	HS54894	1
Engine Cylinder Head Bolt Set	38 Per Package	1547419	GS33689	1
Engine Valve Stem Seal Set	24 Per Package	20864662	SS46065	1
Engine Oil Pan Gasket Set	For Cast Steel Oil Pan	21293367	OS32430•	1

Bearings

Connecting Rod Bearing Set		20580558	CB-1963AP(6)	1
		20711963	CB-1963AP-.25MM(6)	
		20711964	CB-1963AP-.50MM(6)	
Main Bearing Set		20530916	MS-2338P•	1
		20578624	MS-2338P-.25MM	
		20578625	MS-2338P-.50MM	
Thrust Washer Set	4 Per Package	21267844	TW-717S	1

Valve Train & Ancillary

Valve (Intake)		20740798	211-4307•	12
Valve (Exhaust)		20768519	211-4308•	12

Filters

Spin-on oil filter	By-Pass Filter	20843764	OC 282	1
	Long Life	20539275	OC 370	2
Spin-on fuel filter		20972295	KC 300	1



PART	NOTES	OE INTERCHANGE NUMBER	PART NUMBER	ORDER QTY
------	-------	-----------------------	-------------	-----------

4 (cont.)	Engine Code: 'MP8' 6 Cyl, 12.8L / 781 CID, Bore 131.0mm / 5.157", Stroke 158.0mm / 6.220"; Turbocharged, Euro Emission Standards			4 (cont.)
--------------	---	--	--	--------------

Cooling and Climatization

Thermostat, heavy duty	82° Celcius	21412639	THD 3 82	1
------------------------	-------------	----------	----------	---

MACK CYLINDER SLEEVE ASSEMBLY COMPONENT INTERCHANGES

MAHLE

Bore	Part No.	OE Interchange Number	Qty
4.875 226-2077			
Cylinder Sleeve:	226-4615	20706103 509GC463	1
Piston:	224-3827	215SB231A	1
Piston Pin:	223-1965	182GC2223	1
Ring Set:	S41678	353GC2133	1
4.875 226-2078			
Cylinder Sleeve:	226-4615	20706103 509GC463	1
Piston:	224-3814	215SB232A	1
Piston Pin:	223-1965	182GC2223	1
Ring Set:	S41678	353GC2133	1
5.157 226-2091			
Cylinder Sleeve:	226-4622	20760235	1
Sleeve O-Ring Kit:	223-7222	270950	1
Piston:	224-3858	21105177	1
Ring Set:	S42231	20747511	1
5.157 226-2092			
Cylinder Sleeve:	226-4622	20760235	1
Sleeve O-Ring Kit:	223-7222	270950	1
Piston:	224-3859	21041800	1
Ring Set:	S42231	20747511	1

Model	No. Cyls.	Liter	CID	Bore (mm)	Bore (IN)	Stroke (mm)	Stroke (IN)	Line No.
D 2876 LF 03	6	12.8		128.0	5.039	166.0	6.5	1
D 2876 LF 04	6	12.8		128.0	5.039	166.0	6.5	1
D 2876 LF 06	6	12.8		128.0	5.039	166.0	6.5	1
D 2876 LF 07	6	12.8		128.0	5.039	166.0	6.5	1
D 2876 LF 08	6	12.8		128.0	5.039	166.0	6.5	1
D 2876 LF 09	6	12.8		128.0	5.039	166.0	6.5	1
D 2876 LF 10	6	12.8		128.0	5.039	166.0	6.5	1
D 2876 LF 11	6	12.8		128.0	5.039	166.0	6.5	1
D 2876 LF 14	6	12.8		128.0	5.039	166.0	6.5	1
D 2876 LF 17	6	12.8		128.0	5.039	166.0	6.5	1

PART	NOTES	OE INTERCHANGE NUMBER	PART NUMBER	ORDER QTY
1	D 2876 Series 6 Cyl, 12.8L, Bore 128.0mm / 5.039", Stroke 166.0mm / 6.535"			1
Cylinder Components				
Cylinder Sleeve Assembly		Exclusive	226-2018	6
Engine Gaskets				
Engine Full Gasket Set	Contains Front And Rear Crankshaft Seals, Contains Liner O-rings	51 00900 6635	FS54839•	1
Cooling and Climatization				
Thermostat insert		51 06402 0061 51 06402 0064	TX 23 79D	1
		51 06402 0063 51 06402 0066	TX 23 83D	1

Model	No. Cyls.	Liter	CID	Bore (mm)	Bore (IN)	Stroke (mm)	Stroke (IN)	Line No.
OM 366 A	6	6.0	366	97.5	3.839	133.0	5.2	3
OM 366 LA	6	6.0	366	97.5	3.839	133.0	5.2	3
OM 447 LA	6	12.0	732	128.0	5.039	155.0	6.1	9
OM 457 LA	6	12.0	732	128.0	5.039	155.0	6.1	11
OM 460 LA	6	12.8	781	128.0	5.039	166.0	6.5	8
OM 460 LA	6	12.8	781	128.0	5.039	166.0	6.5	10
OM 460 LA	6	12.8	781	128.0	5.039	166.0	6.5	12
OM 612 LA	5	2.7	164	88.0	3.465	88.4	3.5	1
OM 647 LA	5	2.7	164	88.0	3.465	88.4	3.5	2
OM 904 LA	4	4.3	259	102.0	4.016	130.0	5.1	4
OM 906 LA	6	6.4	390	102.0	4.016	130.0	5.1	5
OM 924 LA	4	4.8	293	106.0	4.173	136.0	5.4	7
OM 926 LA	6	7.2	439	106.0	4.173	136.0	5.4	6

LINE #	NOTES	PART DESCRIPTION	OVERHAUL	QTY	IN-FRAME	QTY
1	Engine Code: 'OM 612 LA' 5 Cyl, 2.7L / 164 CID, Bore 88.0mm / 3.465", Stroke 88.4mm / 3.480"; Dodge Sprinter					1
1.1	Straight Rod Contains OE# Piston 611 037 11 01 OE Rod Bearing Number(s) 612 030 00 60 OE Main Bearing Number(s); 602 030 20 40	Kit Number	486-1000		486-5000	
		Piston	224-3364WR	5	224-3364WR	5
		Oversizes	STD-020-040		STD-020-040	
		Main Bearing Set	MS-2248P	1	MS-2248P	1
		Undersizes	P-25MM-50MM		P-25MM-50MM	
		Connecting Rod Bearing (Pair)	CB-1842P	5	CB-1842P	5
		Undersizes	P-25MM-50MM		P-25MM-50MM	
		Thrust Washer Set	TW-620S	1	TW-620S	1
		Engine Full Gasket Set / Engine Cylinder Head Gasket Set	95-3614VR	1	HS54429	1
Engine Oil Pan Gasket Set			OS32263	1		
1.2	Tapered Rod Contains OE# Piston 612 030 04 17 OE Rod Bearing Number(s) 612 030 00 60 OE Main Bearing Number(s); 602 030 20 40	Kit Number	486-1002		486-5002	
		Piston	224-3366WR	5	224-3366WR	5
		Oversizes	STD-020-030-040		STD-020-040	
		Main Bearing Set	MS-2248P	1	MS-2248P	1
		Undersizes	P-25MM-50MM		P-25MM-50MM	
		Connecting Rod Bearing (Pair)	CB-1842P	5	CB-1842P	5
		Undersizes	P-25MM-50MM		P-25MM-50MM	
		Thrust Washer Set	TW-620S	1	TW-620S	1
		Engine Full Gasket Set / Engine Cylinder Head Gasket Set	95-3614VR	1	HS54429	1
Engine Oil Pan Gasket Set			OS32263	1		

2	Engine Code: 'OM 647 LA' 5 Cyl, 2.7L / 164 CID, Bore 88.0mm / 3.465", Stroke 88.4mm / 3.479"; Dodge Sprinter					2
2.1	Tapered Rod Contains OE# Piston 647 030 01 17 OE Rod Bearing Number(s) 612 030 00 60 OE Main Bearing Number(s); 602 030 20 40	Kit Number	486-1035			
		Piston	224-3585WR	5		
		Oversizes	STD-50MM			
		Main Bearing Set	MS-2248P	1		
		Undersizes	P-25MM-50MM			
		Connecting Rod Bearing (Pair)	CB-1842P	5		
		Undersizes	P-25MM-50MM			
		Thrust Washer Set	TW-620S	1		
Engine Full Gasket Set	95-3614VR	1				

LINE #	NOTES	PART DESCRIPTION	OVERHAUL	QTY	IN-FRAME	QTY
3	Engine Codes: 'OM 366 A, OM 366 LA' 6 Cyl, 6.0L / 366 CID, Bore 97.5mm / 3.839", Stroke 133.0mm / 5.236"; Turbocharged					3
3.1	Contains OE# 366 030 00 17 Piston and Repair Sleeve 16.5:1 CR Straight Rod OE Main Bearing Number(s) 366 030 00 40 OE Rod Bearing Number(s) 364 030 03 60	Kit Number	486-1004			
		Cylinder Sleeve	226-4609	6		
		Piston	224-3836	6		
		Ring Set	S42159	6		
		Main Bearing Set	MS-2333P	1		
		Undersizes	P-25MM-50MM-75MM			
		Connecting Rod Bearing Set	CB-1952P(6)	1		
		Undersizes	P-25MM(6)-50M M(6)- 75MM(6)			
		Engine Full Gasket Set	FS54836	1		
3.2	Contains OE# 366 030 73 17 Piston and Repair Sleeve 17.25:1 CR Tapered Rod OE Main Bearing Number(s) 366 030 00 40 OE Rod Bearing Number(s) 364 030 03 60	Kit Number	486-1007			
		Cylinder Sleeve	226-4609	6		
		Piston	224-3837	6		
		Ring Set	S42159	6		
		Main Bearing Set	MS-2333P	1		
		Undersizes	P-25MM-50MM-75MM			
		Connecting Rod Bearing Set	CB-1952P(6)	1		
		Undersizes	P-25MM(6)-50M M(6)- 75MM(6)			
		Engine Full Gasket Set	FS54836	1		
3.3	Contains OE# 366 030 14 18 Piston and Repair Sleeve 18.0:1 CR Tapered Rod OE Main Bearing Number(s) 366 030 00 40 OE Rod Bearing Number(s) 364 030 03 60	Kit Number	486-1012			
		Cylinder Sleeve Assembly	226-2081	6		
		Main Bearing Set	MS-2333P	1		
		Undersizes	P-25MM-50MM-75MM			
		Connecting Rod Bearing Set	CB-1952P(6)	1		
		Undersizes	P-25MM(6)-50M M(6)- 75MM(6)			
		Engine Full Gasket Set	FS54836	1		
3.4	18.0:1 CR Tapered Rod Piston With Compression Height 63.00MM, Chamber Depth 22.20MM, Total Length 108.00MM OE Main Bearing Number(s) 366 030 00 40 OE Rod Bearing Number(s) 364 030 03 60	Kit Number	486-1015			
		Cylinder Sleeve Assembly	226-2082	6		
		Main Bearing Set	MS-2333P	1		
		Undersizes	P-25MM-50MM-75MM			
		Connecting Rod Bearing Set	CB-1952P(6)	1		
		Undersizes	P-25MM(6)-50M M(6)- 75MM(6)			
		Engine Full Gasket Set	FS54836	1		

LINE #	NOTES	PART DESCRIPTION	OVERHAUL	QTY	IN-FRAME	QTY
3	Engine Codes: 'OM 366 A, OM 366 LA' 6 Cyl, 6.0L / 366 CID, Bore 97.5mm / 3.839", Stroke 133.0mm / 5.236"; Turbocharged					3
4	Engine Code: 'OM 904 LA' 4 Cyl, 4.3L / 259 CID, Bore 102.0mm / 4.016", Stroke 130.0mm / 5.118"; Turbocharged-Aftercooled					4
4.1	Contains OE# 906 030 36 17 Piston 40MM Pin Diameter For Plastic Valve Cover OE Rod Bearing Number(s) 926 030 00 60 OE Main Bearing Number(s); 926 030 07 40	Kit Number	486-1016			
		Cylinder Sleeve	226-4606	4		
		Piston	224-3841	4		
		Ring Set	42210	2		
		Main Bearing Set	MS-2282P	1		
		Undersizes	P-25MM-50MM			
		Connecting Rod Bearing Set	CB-1888P(4)	1		
		Undersizes	P-25MM(4)-50M M(4)			
		Engine Cylinder Head Gasket Set	HS54837	1		
4.2	Contains OE# 906 030 40 17 Piston 42MM Pin Diameter For Plastic Valve Cover OE Rod Bearing Number(s) 926 030 00 60 OE Main Bearing Number(s); 926 030 07 40	Kit Number	486-1019			
		Cylinder Sleeve	226-4606	4		
		Piston	224-3842	4		
		Ring Set	42210	2		
		Main Bearing Set	MS-2282P	1		
		Undersizes	P-25MM-50MM			
		Connecting Rod Bearing Set	CB-1888P(4)	1		
		Undersizes	P-25MM(4)-50M M(4)			
		Engine Cylinder Head Gasket Set	HS54837	1		
4.3	Contains OE# 906 030 40 17 Piston 42MM Pin Diameter For Plastic Valve Cover For Cast Steel Oil Pan OE Rod Bearing Number(s) 926 030 00 60 OE Main Bearing Number(s); 926 030 07 40	Kit Number	486-1036	486-5036		
		Cylinder Sleeve	226-4606	4	226-4606	4
		Piston	224-3842	4	224-3842	4
		Ring Set	42210	2	42210	2
		Main Bearing Set	MS-2282P	1	MS-2282P	1
		Undersizes	P-25MM-50MM		P-25MM-50MM	
		Connecting Rod Bearing Set	CB-1888P(4)	1	CB-1888P(4)	1
		Undersizes	P-25MM(4)-50M M(4)		P-25MM(4)-50M M(4)	
		Thrust Washer Set	TW-705S	1	TW-705S	1
		Engine Cylinder Head Gasket Set	HS54837	1	HS54837	1
		Engine Conversion Gasket Set / Engine Oil Pan Gasket Set	CS54837	1	OS32402	1
		Engine Oil Pan Gasket Set	OS32402	1		

LINE #	NOTES	PART DESCRIPTION	OVERHAUL	QTY	IN-FRAME	QTY
4	Engine Code: 'OM 904 LA' 4 Cyl, 4.3L / 259 CID, Bore 102.0mm / 4.016", Stroke 130.0mm / 5.118"; Turbocharged-Aftercooled					4
4.4	Contains OE# 906 030 40 17 Piston 42MM Pin Diameter For Plastic Valve Cover For Plastic Oil Pan OE Rod Bearing Number(s) 926 030 00 60 OE Main Bearing Number(s); 926 030 07 40	Kit Number	486-1037		486-5037	
		Cylinder Sleeve	226-4606	4	226-4606	4
		Piston	224-3842	4	224-3842	4
		Ring Set	42210	2	42210	2
		Main Bearing Set	MS-2282P	1	MS-2282P	1
		Undersizes	P-25MM-50MM		P-25MM-50MM	
		Connecting Rod Bearing Set	CB-1888P(4)	1	CB-1888P(4)	1
		Undersizes	P-25MM(4)-50M M(4)		P-25MM(4)-50M M(4)	
		Thrust Washer Set	TW-705S	1	TW-705S	1
		Engine Cylinder Head Gasket Set	HS54837	1	HS54837	1
		Engine Conversion Gasket Set / Engine Oil Pan Gasket Set	CS54837	1	OS32406	1
		Engine Oil Pan Gasket Set	OS32406	1		
4.5	Contains OE# 906 030 23 18 Piston For Plastic Valve Cover For Cast Steel Oil Pan OE Rod Bearing Number(s) 926 030 00 60 OE Main Bearing Number(s); 926 030 07 40	Kit Number	486-1049		486-5049	
		Cylinder Sleeve	226-4606	4	226-4606	4
		Piston	224-3828WR	4	224-3828WR	4
		Main Bearing Set	MS-2282P	1	MS-2282P	1
		Undersizes	P-25MM-50MM		P-25MM-50MM	
		Connecting Rod Bearing Set	CB-1888P(4)	1	CB-1888P(4)	1
		Undersizes	P-25MM(4)-50M M(4)		P-25MM(4)-50M M(4)	
		Thrust Washer Set	TW-705S	1	TW-705S	1
		Engine Cylinder Head Gasket Set	HS54837	1	HS54837	1
		Engine Conversion Gasket Set / Engine Oil Pan Gasket Set	CS54837	1	OS32402	1
		Engine Oil Pan Gasket Set	OS32402	1		
4.6	Contains OE# 906 030 23 18 Piston For Plastic Valve Cover For Cast Steel Oil Pan OE Rod Bearing Number(s) 926 030 00 60 OE Main Bearing Number(s); 926 030 07 40	Kit Number	486-1050		486-5050	
		Piston	224-3828WR	4	224-3828WR	4
		Oversizes	STD-030MM-060 MM- 090MM		STD-030MM-060 MM- 090MM	
		Main Bearing Set	MS-2282P	1	MS-2282P	1
		Undersizes	P-25MM-50MM		P-25MM-50MM	
		Connecting Rod Bearing Set	CB-1888P(4)	1	CB-1888P(4)	1
		Undersizes	P-25MM(4)-50M M(4)		P-25MM(4)-50M M(4)	
		Thrust Washer Set	TW-705S	1	TW-705S	1
		Engine Cylinder Head Gasket Set	HS54837	1	HS54837	1
		Engine Conversion Gasket Set / Engine Oil Pan Gasket Set	CS54837	1	OS32402	1
		Engine Oil Pan Gasket Set	OS32402	1		

LINE #	NOTES	PART DESCRIPTION	OVERHAUL	QTY	IN-FRAME	QTY
4	Engine Code: 'OM 904 LA' 4 Cyl, 4.3L / 259 CID, Bore 102.0mm / 4.016", Stroke 130.0mm / 5.118"; Turbocharged-Aftercooled					4
5	Engine Code: 'OM 906 LA' 6 Cyl, 6.4L / 390 CID, Bore 102.0mm / 4.016", Stroke 130.0mm / 5.118"; Turbocharged-Aftercooled					5
5.1	Contains OE# 906 030 36 17 Piston 40MM Pin Diameter For Plastic Valve Cover OE Rod Bearing Number(s) 926 030 00 60 OE Main Bearing Number(s); 926 030 07 40	Kit Number	486-1022			
		Cylinder Sleeve	226-4606	6		
		Piston	224-3841	6		
		Ring Set	42210	3		
		Main Bearing Set	MS-2283P	1		
		Undersizes	P-25MM-50MM			
		Connecting Rod Bearing Set	CB-1888P(6)	1		
		Undersizes	P-25MM(6)-50M M(6)			
		Engine Cylinder Head Gasket Set	HS54838	1		
5.2	Contains OE# 906 030 40 17 Piston 42MM Pin Diameter For Plastic Valve Cover OE Rod Bearing Number(s) 926 030 00 60 OE Main Bearing Number(s); 926 030 07 40	Kit Number	486-1025			
		Cylinder Sleeve	226-4606	6		
		Piston	224-3842	6		
		Ring Set	42210	3		
		Main Bearing Set	MS-2283P	1		
		Undersizes	P-25MM-50MM			
		Connecting Rod Bearing Set	CB-1888P(6)	1		
		Undersizes	P-25MM(6)-50M M(6)			
		Engine Cylinder Head Gasket Set	HS54838	1		
5.3	Contains OE# 906 030 40 17 Piston 42MM Pin Diameter For Plastic Valve Cover For Cast Steel Oil Pan OE Rod Bearing Number(s) 926 030 00 60 OE Main Bearing Number(s); 926 030 07 40	Kit Number	486-1038	486-5038		
		Cylinder Sleeve	226-4606	6	226-4606	6
		Piston	224-3842	6	224-3842	6
		Ring Set	42210	3	42210	3
		Main Bearing Set	MS-2283P	1	MS-2283P	1
		Undersizes	P-25MM-50MM		P-25MM-50MM	
		Connecting Rod Bearing Set	CB-1888P(6)	1	CB-1888P(6)	1
		Undersizes	P-25MM(6)-50M M(6)		P-25MM(6)-50M M(6)	
		Thrust Washer Set	TW-705S	1	TW-705S	1
		Engine Cylinder Head Gasket Set	HS54838	1	HS54838	1
		Engine Conversion Gasket Set / Engine Oil Pan Gasket Set	CS54837	1	OS32401	1
		Engine Oil Pan Gasket Set	OS32401	1		

LINE #	NOTES	PART DESCRIPTION	OVERHAUL	QTY	IN-FRAME	QTY
5	Engine Code: 'OM 906 LA' 6 Cyl, 6.4L / 390 CID, Bore 102.0mm / 4.016", Stroke 130.0mm / 5.118"; Turbocharged-Aftercooled					5
5.4	Contains OE# 906 030 40 17 Piston 42MM Pin Diameter For Plastic Valve Cover For Plastic Oil Pan OE Rod Bearing Number(s) 926 030 00 60 OE Main Bearing Number(s); 926 030 07 40	Kit Number	486-1039		486-5039	
		Cylinder Sleeve	226-4606	6	226-4606	6
		Piston	224-3842	6	224-3842	6
		Ring Set	42210	3	42210	3
		Main Bearing Set	MS-2283P	1	MS-2283P	1
		Undersizes	P-25MM-50MM		P-25MM-50MM	
		Connecting Rod Bearing Set	CB-1888P(6)	1	CB-1888P(6)	1
		Undersizes	P-25MM(6)-50M M(6)		P-25MM(6)-50M M(6)	
		Thrust Washer Set	TW-705S	1	TW-705S	1
		Engine Cylinder Head Gasket Set	HS54838	1	HS54838	1
		Engine Conversion Gasket Set / Engine Oil Pan Gasket Set	CS54837	1	OS32407	1
		Engine Oil Pan Gasket Set	OS32407	1		

6	Engine Code: 'OM 926 LA' 6 Cyl, 7.2L / 439 CID, Bore 106.0mm / 4.173", Stroke 136.0mm / 5.354"; Turbocharged-Aftercooled					6
6.1	Contains OE# Piston 926 037 26 01 Contains OE# Ring Set 926 030 08 24 Sputter Bearings OE Rod Bearing Number(s) 926 030 00 60 OE Main Bearing Number(s); 926 030 07 40	Kit Number	486-1034			
		Piston	224-3710	6		
		Ring Set	S42127	3		
		Main Bearing Set	MS-2283P	1		
		Undersizes	P-25MM-50MM			
		Connecting Rod Bearing Set	CB-1895P(6)	1		
		Undersizes	P-25MM(6)-50M M(6)			
		Engine Cylinder Head Gasket Set	HS54743	1		

LINE #	NOTES	PART DESCRIPTION	OVERHAUL	QTY	IN-FRAME	QTY
6	Engine Code: 'OM 926 LA' 6 Cyl, 7.2L / 439 CID, Bore 106.0mm / 4.173", Stroke 136.0mm / 5.354"; Turbocharged-Aftercooled					6
6.2	Contains OE# Piston 926 037 26 01 Contains OE# Ring Set 926 030 08 24 Sputter Bearings For Cast Steel Oil Pan OE Rod Bearing Number(s) 926 030 00 60 OE Main Bearing Number(s); 926 030 07 40	Kit Number	486-1042		486-5042	
		Piston	224-3710	6	224-3710	6
		Ring Set	S42127	3	S42127	3
		Main Bearing Set	MS-2283P	1	MS-2283P	1
		Undersizes	P-25MM-50MM		P-25MM-50MM	
		Connecting Rod Bearing Set	CB-1895P(6)	1	CB-1895P(6)	1
		Undersizes	P-25MM(6)-50MM(6)		P-25MM(6)-50MM(6)	
		Thrust Washer Set	TW-705S	1	TW-705S	1
		Engine Cylinder Head Gasket Set	HS54743	1	HS54743	1
		Engine Conversion Gasket Set / Engine Oil Pan Gasket Set	CS54837	1	OS32401	1
		Engine Oil Pan Gasket Set	OS32401	1		
6.3	Contains OE# Piston 926 037 26 01 Contains OE# Ring Set 926 030 08 24 Sputter Bearings For Plastic Oil Pan OE Rod Bearing Number(s) 926 030 00 60 OE Main Bearing Number(s); 926 030 07 40	Kit Number	486-1043		486-5043	
		Piston	224-3710	6	224-3710	6
		Ring Set	S42127	3	S42127	3
		Main Bearing Set	MS-2283P	1	MS-2283P	1
		Undersizes	P-25MM-50MM		P-25MM-50MM	
		Connecting Rod Bearing Set	CB-1895P(6)	1	CB-1895P(6)	1
		Undersizes	P-25MM(6)-50MM(6)		P-25MM(6)-50MM(6)	
		Thrust Washer Set	TW-705S	1	TW-705S	1
		Engine Cylinder Head Gasket Set	HS54743	1	HS54743	1
		Engine Conversion Gasket Set / Engine Oil Pan Gasket Set	CS54837	1	OS32407	1
		Engine Oil Pan Gasket Set	OS32407	1		
7	Engine Code: 'OM 924 LA' 4 Cyl, 4.8L / 293 CID, Bore 106.0mm / 4.173", Stroke 136.0mm / 5.354"; Turbocharged-Aftercooled					7
7.1	Contains OE# Piston 926 037 26 01 Contains OE# Ring Set 926 030 08 24 Sputter Bearings OE Rod Bearing Number(s) 926 030 00 60 OE Main Bearing Number(s); 926 030 07 40	Kit Number	486-1033			
		Piston	224-3710	4		
		Ring Set	S42127	2		
		Main Bearing Set	MS-2282P	1		
		Undersizes	P-25MM-50MM			
		Connecting Rod Bearing Set	CB-1895P(4)	1		
		Undersizes	P-25MM(4)-50MM(4)			
Engine Cylinder Head Gasket Set	HS54744	1				

LINE #	NOTES	PART DESCRIPTION	OVERHAUL	QTY	IN-FRAME	QTY
7	Engine Code: 'OM 924 LA' 4 Cyl, 4.8L / 293 CID, Bore 106.0mm / 4.173", Stroke 136.0mm / 5.354"; Turbocharged-Aftercooled					7
7.2	Contains OE# Piston 926 037 26 01 Contains OE# Ring Set 926 030 08 24 Sputter Bearings For Cast Steel Oil Pan OE Rod Bearing Number(s) 926 030 00 60 OE Main Bearing Number(s); 926 030 07 40	Kit Number	486-1040	486-5040		
		Piston	224-3710	4	224-3710	4
		Ring Set	S42127	2	S42127	2
		Main Bearing Set	MS-2282P	1	MS-2282P	1
		Undersizes	P-25MM-50MM		P-25MM-50MM	
		Connecting Rod Bearing Set	CB-1895P(4)	1	CB-1895P(4)	1
		Undersizes	P-25MM(4)-50M M(4)		P-25MM(4)-50M M(4)	
		Thrust Washer Set	TW-705S	1	TW-705S	1
		Engine Cylinder Head Gasket Set	HS54744	1	HS54744	1
		Engine Conversion Gasket Set / Engine Oil Pan Gasket Set	CS54837	1	OS32402	1
		Engine Oil Pan Gasket Set	OS32402	1		
7.3	Contains OE# Piston 926 037 26 01 Contains OE# Ring Set 926 030 08 24 Sputter Bearings For Plastic Oil Pan OE Rod Bearing Number(s) 926 030 00 60 OE Main Bearing Number(s); 926 030 07 40	Kit Number	486-1041	486-5041		
		Piston	224-3710	4	224-3710	4
		Ring Set	S42127	2	S42127	2
		Main Bearing Set	MS-2282P	1	MS-2282P	1
		Undersizes	P-25MM-50MM		P-25MM-50MM	
		Connecting Rod Bearing Set	CB-1895P(4)	1	CB-1895P(4)	1
		Undersizes	P-25MM(4)-50M M(4)		P-25MM(4)-50M M(4)	
		Thrust Washer Set	TW-705S	1	TW-705S	1
		Engine Cylinder Head Gasket Set	HS54744	1	HS54744	1
		Engine Conversion Gasket Set / Engine Oil Pan Gasket Set	CS54837	1	OS32406	1
		Engine Oil Pan Gasket Set	OS32406	1		

LINE #	NOTES	PART DESCRIPTION	OVERHAUL	QTY	IN-FRAME	QTY
8	Engine Code: 'OM 460 LA' 6 Cyl, 12.8L / 781 CID, Bore 128.0mm / 5.039", Stroke 166.0mm / 6.535"; Turbocharged, EPA 98 - Engine Models 460.900-923, 460.925, 460.929, 460.931, 460.970-971					8
8.1	Non-Grommet Style Head Gasket OE Main Bearing Number(s) 460 030 00 40 OE Rod Bearing Number(s) 460 030 07 60	Kit Number	486-1044		486-5044	
		Cylinder Sleeve Assembly	226-2095	6	226-2095	6
		Piston cooling nozzle	223-4004	6	223-4004	6
		Main Bearing Set	MS-2332P	1	MS-2332P	1
		Undersizes	P-25MM-50MM		P-25MM-50MM	
		Connecting Rod Bearing (Pair)	CB-1970P	6	CB-1970P	6
		Undersizes	P-25MM		P-25MM	
		Engine Cylinder Head Gasket Set	HS54978	6	HS54978	6
		Intake and Exhaust Manifolds Combination Gasket	MS19914	1	MS19914	1
		Engine Oil Pan Gasket Set	OS32450	1	OS32450	1
		Optional	OS32451	1	OS32451	1
		Engine Conversion Gasket Set	CS54978	1		
8.2	Grommet Style Head Gasket OE Main Bearing Number(s) 460 030 00 40 OE Rod Bearing Number(s) 460 030 07 60	Kit Number	486-1045		486-5045	
		Cylinder Sleeve Assembly	226-2095	6	226-2095	6
		Piston cooling nozzle	223-4004	6	223-4004	6
		Main Bearing Set	MS-2332P	1	MS-2332P	1
		Undersizes	P-25MM-50MM		P-25MM-50MM	
		Connecting Rod Bearing (Pair)	CB-1970P	6	CB-1970P	6
		Undersizes	P-25MM		P-25MM	
		Engine Cylinder Head Gasket Set	HS54979	6	HS54979	6
		Intake and Exhaust Manifolds Combination Gasket	MS19914	1	MS19914	1
		Engine Oil Pan Gasket Set	OS32450	1	OS32450	1
		Optional	OS32451	1	OS32451	1
		Engine Conversion Gasket Set	CS54978	1		

9	Engine Code: 'OM 447 LA' 6 Cyl, 12.0L / 732 CID, Bore 128.0mm / 5.039", Stroke 155.0mm / 6.102"					9
9.1	Piston With Compression Height 89.95MM Chamber Depth 24.00MM Total Length 140.00MM Contains OE# Head Gasket Set 444 010 0220 OE Main Bearing Number(s) 447 030 00 40	Kit Number	486-1029			
		Cylinder Sleeve	226-4607	6		
		Piston	224-3840	6		
		Ring Set	S42220	6		
		Main Bearing Set	MS-2345P	1		
		Undersizes	P-25MM			
		Connecting Rod Bearing Set	CB-1901P	1		
		Engine Cylinder Head Gasket Set	HS54757	6		

LINE #	NOTES	PART DESCRIPTION	OVERHAUL	QTY	IN-FRAME	QTY
9	Engine Code: 'OM 447 LA' 6 Cyl, 12.0L / 732 CID, Bore 128.0mm / 5.039", Stroke 155.0mm / 6.102"					9

10	Engine Code: 'OM 460 LA' 6 Cyl, 12.8L / 781 CID, Bore 128.0mm / 5.039", Stroke 166.0mm / 6.535"; Turbocharged, EPA04 - Engine Models 460.926-927, 460.932-949					10
-----------	--	--	--	--	--	-----------

LINE #	NOTES	Kit Number		486-1046		486-5046	
10.1	Non-Grommet Style Head Gasket To S/N 813071 OE Main Bearing Number(s) 460 030 00 40 OE Rod Bearing Number(s) 460 030 07 60	Cylinder Sleeve Assembly	226-2096	6	226-2096	6	
		Piston cooling nozzle	223-4005	6	223-4005	6	
		Main Bearing Set	MS-2332P	1	MS-2332P	1	
		Undersizes	P-25MM-50MM		P-25MM-50MM		
		Connecting Rod Bearing (Pair)	CB-1970P	6	CB-1970P	6	
		Undersizes	P-25MM		P-25MM		
		Engine Cylinder Head Gasket Set	HS54978	6	HS54978	6	
		Intake and Exhaust Manifolds Combination Gasket	MS19915	1	MS19915	1	
		Engine Oil Pan Gasket Set	OS32450	1	OS32450	1	
		Optional	OS32451	1	OS32451	1	
		Engine Conversion Gasket Set	CS54978	1			
10.2	Non-Grommet Style Head Gasket From S/N 813072 to 866442 OE Main Bearing Number(s) 460 030 00 40 OE Rod Bearing Number(s) 460 030 07 60	Cylinder Sleeve Assembly	226-2097	6	226-2097	6	
		Piston cooling nozzle	223-4006	6	223-4006	6	
		Main Bearing Set	MS-2332P	1	MS-2332P	1	
		Undersizes	P-25MM-50MM		P-25MM-50MM		
		Connecting Rod Bearing (Pair)	CB-1970P	6	CB-1970P	6	
		Undersizes	P-25MM		P-25MM		
		Engine Cylinder Head Gasket Set	HS54978	6	HS54978	6	
		Intake and Exhaust Manifolds Combination Gasket	MS19915	1	MS19915	1	
		Engine Oil Pan Gasket Set	OS32450	1	OS32450	1	
		Optional	OS32451	1	OS32451	1	
		Engine Conversion Gasket Set	CS54978	1			

LINE #	NOTES	PART DESCRIPTION	OVERHAUL	QTY	IN-FRAME	QTY
10	Engine Code: 'OM 460 LA' 6 Cyl, 12.8L / 781 CID, Bore 128.0mm / 5.039", Stroke 166.0mm / 6.535"; Turbocharged, EPA04 - Engine Models 460.926-927, 460.932-949					10
10.3	Grommet Style Head Gasket From S/N 866443 OE Main Bearing Number(s) 460 030 00 40 OE Rod Bearing Number(s) 460 030 07 60	Kit Number	486-1048		486-5048	
		Cylinder Sleeve Assembly	226-2097	6	226-2097	6
		Piston cooling nozzle	223-4006	6	223-4006	6
		Main Bearing Set	MS-2332P	1	MS-2332P	1
		Undersizes	P-25MM-50MM		P-25MM-50MM	
		Connecting Rod Bearing (Pair)	CB-1970P	6	CB-1970P	6
		Undersizes	P-25MM		P-25MM	
		Engine Cylinder Head Gasket Set	HS54979	6	HS54979	6
		Intake and Exhaust Manifolds Combination Gasket	MS19915	1	MS19915	1
		Engine Oil Pan Gasket Set	OS32450	1	OS32450	1
		Optional	OS32451	1	OS32451	1
		Engine Conversion Gasket Set	CS54978	1		

11	Engine Code: 'OM 457 LA' 6 Cyl, 12.0L / 732 CID, Bore 128.0mm / 5.039", Stroke 155.0mm / 6.102"					11
11.1	17.25:1 CR Piston With Compression Height 90.05MM Chamber Depth 18.00MM Total Length 140.05MM For Plastic Valve Cover Contains OE# Head Gasket 460 016 05 20 OE Main Bearing Number(s) 460 030 00 40	Kit Number	486-1031			
		Cylinder Sleeve Assembly	226-2086	6		
		Main Bearing Set	MS-2332P	1		
		Undersizes	P-25MM-50MM			
		Connecting Rod Bearing Set	CB-1951P(6)	1		
		Engine Cylinder Head Gasket Set	HS54742	6		
11.2	17.25:1 CR Piston With Compression Height 90.05MM Chamber Depth 18.00MM Total Length 140.05MM For Cast Steel Valve Cover Contains OE# Head Gasket Set 457 010 31 20 OE Main Bearing Number(s) 460 030 00 40	Kit Number	486-1032			
		Cylinder Sleeve Assembly	226-2086	6		
		Main Bearing Set	MS-2332P	1		
		Undersizes	P-25MM-50MM			
		Connecting Rod Bearing Set	CB-1951P(6)	1		
		Engine Cylinder Head Gasket Set	HS54885	6		

LINE #	NOTES	PART DESCRIPTION	OVERHAUL	QTY	IN-FRAME	QTY
12	Engine Code: 'OM 460 LA' 6 Cyl, 12.8L / 781 CID, Bore 128.0mm / 5.039", Stroke 166.0mm / 6.535"; Turbocharged, EPA07 - Engine Models 460.975-981					12
12.1	Grommet Style Head Gasket OE Main Bearing Number(s) 460 030 00 40 OE Rod Bearing Number(s) 460 030 07 60	Kit Number	486-1048		486-5048	
		Cylinder Sleeve Assembly	226-2097	6	226-2097	6
		Piston cooling nozzle	223-4006	6	223-4006	6
		Main Bearing Set	MS-2332P	1	MS-2332P	1
		Undersizes	P-25MM-50MM		P-25MM-50MM	
		Connecting Rod Bearing (Pair)	CB-1970P	6	CB-1970P	6
		Undersizes	P-25MM		P-25MM	
		Engine Cylinder Head Gasket Set	HS54979	6	HS54979	6
		Intake and Exhaust Manifolds Combination Gasket	MS19915	1	MS19915	1
		Engine Oil Pan Gasket Set	OS32450	1	OS32450	1
		Optional	OS32451	1	OS32451	1
		Engine Conversion Gasket Set	CS54978	1		

Model	No. Cyls.	Liter	CID	Bore (mm)	Bore (IN)	Stroke (mm)	Stroke (IN)	Line No.
OM 352	6	5.7	346	97.0	3.819	128.0	5.0	6
OM 366	6	6.0	366	97.5	3.839	133.0	5.2	7
OM 366 A	6	6.0	366	97.5	3.839	133.0	5.2	7
OM 366 LA	6	6.0	366	97.5	3.839	133.0	5.2	7
OM 447 LA	6	12.0	732	128.0	5.039	155.0	6.1	12
OM 449 A	5	10.0	610	128.0	5.039	155.0	6.1	17
OM 449 LA	5	10.0	610	128.0	5.039	155.0	6.1	17
OM 457 LA	6	12.0	732	128.0	5.039	155.0	6.1	13
OM 460 LA	6	12.8	781	128.0	5.039	166.0	6.5	14
OM 460 LA	6	12.8	781	128.0	5.039	166.0	6.5	15
OM 460 LA	6	12.8	781	128.0	5.039	166.0	6.5	16
OM 612 LA	5	2.7	164	88.0	3.465	88.4	3.5	4
OM 642	6	3.0	182	82.8	3.260	91.9	3.6	1
OM 646 LA	4	2.1	128	88.0	3.465	86.0	3.4	3
OM 647 LA	5	2.7	164	88.0	3.465	88.4	3.5	5
OM 651.940	4	2.1	128	83.0	3.268	97.0	3.8	2
OM 651.955	4	2.1	128	83.0	3.268	97.0	3.8	2
OM 651.956	4	2.1	128	83.0	3.268	97.0	3.8	2
OM 651.957	4	2.1	128	83.0	3.268	97.0	3.8	2
OM 651.960	4	2.1	128	83.0	3.268	97.0	3.8	2
OM 651.961	4	2.2	128	83.0	3.268	97.0	3.8	2
OM 904 LA	4	4.3	259	102.0	4.016	130.0	5.1	8
OM 906 LA	6	6.4	390	102.0	4.016	130.0	5.1	9
OM 924 LA	4	4.8	293	106.0	4.173	136.0	5.4	11
OM 926 LA	6	7.2	439	106.0	4.173	136.0	5.4	10

PART	NOTES	OE INTERCHANGE NUMBER	PART NUMBER	ORDER QTY
------	-------	-----------------------	-------------	-----------

1	Engine Code: 'OM 642' 6 Cyl, 3.0L / 182 CID, Bore 82.8mm / 3.260", Stroke 91.9mm / 3.620"; Turbocharged, Dodge Sprinter; Compression Ratio 18.1:1			1
----------	---	--	--	----------

Cylinder Components

Ring Set		Exclusive	42191	1
		Exclusive	42191.020	
		Exclusive	42191.030	
		Exclusive	42191.040	
		Exclusive	S42191	6
		Exclusive	S42191.020	
		Exclusive	S42191.030	
		Exclusive	S42191.040	

Engine Gaskets

Engine Cylinder Head Gasket Set		Exclusive	HS54816	1
Engine Conversion Gasket Set	Thru 06/2006, Use With Head Set To Make Full Set	Exclusive	CS54816-1	1
	From 07/2006, Use With Head Set To Make Full Set	Exclusive	CS54816-2	1
Engine Cylinder Head Gasket	Material Multi-Layered Steel, Left Head	642 016 51 20	54816	1
	Material Multi-Layered Steel, Right Head	642 016 52 20	54817	1
Engine Valve Stem Seal Set		000 053 46 58 000 053 56 58	B45976	24
Engine Intake Manifold Gasket Set	Material Graphite	642 141 05 80	MS19834	2
Exhaust Manifold Gasket Set		642 142 00 80	MS19833	2
Engine Timing Cover Seal		023 997 84 47	67769	1

Miscellaneous Gaskets

Engine Oil Drain Plug Gasket		007603 012105 N 007603 012102	B32518	1
------------------------------	--	----------------------------------	---------------	---

Filters

Oil filter element	Filter Type Oil Filter Cartridge	6421800010	OX 380D ECO	1
Inline fuel filter	Filter Type In-line Fuel Filter	6420902352 6420920401	KL 490/1D	1
	Filter Type In-line Fuel Filter	6420920201	KL 723D	1

2	Engine Codes: 'OM 651.940, OM 651.955, OM 651.956, OM 651.957, OM 651.960, OM 651.961' 4 Cyl, 2.1L / 128 CID, Bore 83.0mm / 3.268", Stroke 97.0mm / 3.819"			2
----------	---	--	--	----------

Engine Gaskets

Engine Cylinder Head Gasket Set		Exclusive	HS54895•	1
Engine Conversion Gasket Set	Contains Front And Rear Crankshaft Seals	Exclusive	CS54895•	1



PART	NOTES	OE INTERCHANGE NUMBER	PART NUMBER	ORDER QTY
------	-------	-----------------------	-------------	-----------

2 (cont.)	Engine Codes: 'OM 651.940, OM 651.955, OM 651.956, OM 651.957, OM 651.960, OM 651.961' 4 Cyl, 2.1L / 128 CID, Bore 83.0mm / 3.268", Stroke 97.0mm / 3.819"			2 (cont.)
----------------------	---	--	--	----------------------

Engine Gaskets

Engine Cylinder Head Gasket	MLS	651 016 02 20	54895	1
Engine Cylinder Head Bolt Set	10 Per Package	651 016 04 69	GS33694	1
Engine Valve Cover Gasket		651 016 00 21	VS50665	1
Engine Valve Stem Seal Set	16 Per Package	000 053 46 58	SS46066*	1
Engine Intake Manifold Gasket		651 091 00 60	MS19888	1
Exhaust Manifold Gasket		651 142 05 80	MS19889	1
Engine Oil Pan Gasket Set		651 014 00 80	OS32433	1
Engine Timing Cover Seal	Mexico Market Only	014 997 26 46	67973	1
Rear Main Seal	Mexico Market Only	014 997 25 46	67974	1

Miscellaneous Gaskets

Turbocharger Gasket		651 096 04 80	F32602	1
---------------------	--	---------------	--------	---

3	Engine Code: 'OM 646 LA' 4 Cyl, 2.1L / 128 CID, Bore 88.0mm / 3.465", Stroke 86.0mm / 3.386"; Turbocharged-Aftercooled, 211 CDI, 311 CDI			3
----------	---	--	--	----------

Cylinder Components

Ring Set		611 030 00 24 646 030 03 24	42209	1
		Exclusive	42209.010	
		Exclusive	42209.020	
		Exclusive	42209.030	
		Exclusive	42209.040	

Engine Gaskets

Engine Cylinder Head Gasket Set	Mexico Market Only, Valve Cover Gasket Not Included	Exclusive	HS54779A	1
Engine Conversion Gasket Set	Contains Front And Rear Crankshaft Seals	611 010 06 05	CS54779	1
Engine Cylinder Head Gasket	Mexico Market Only, Material Multi-Layered Steel	611 016 11 20	54779	1
Engine Cylinder Head Bolt Set	10 Per Package	611 990 13 22	GS33422B	1
Engine Valve Cover Gasket Set	Mexico Market Only	611 016 02 21 646 016 12 21	VS50574	1



* For our latest product offerings go to <http://catalog.mahle-aftermarket.com/us/>

PART	NOTES	OE INTERCHANGE NUMBER	PART NUMBER	ORDER QTY
------	-------	-----------------------	-------------	-----------

3 (cont.)	Engine Code: 'OM 646 LA' 4 Cyl, 2.1L / 128 CID, Bore 88.0mm / 3.465", Stroke 86.0mm / 3.386"; Turbocharged-Aftercooled, 211 CDI, 311 CDI	3 (cont.)		
----------------------	---	----------------------	--	--

Engine Gaskets

Engine Valve Stem Seal Set	Mexico Market Only, Intake And Exhaust, 16 Per Package	612 050 00 58	B45945A	1
Engine Intake Manifold Gasket Set		611 098 03 80	MS19746	4
Exhaust Manifold Gasket Set		611 142 07 80	MS19744	1
Engine Oil Pan Gasket Set	Mexico Market Only	611 014 02 22	OS32377	1
Engine Timing Cover Seal		023 997 84 47	67769	1
Rear Main Seal Set		611 010 01 14	JV1680	1

Bearings

Connecting Rod Bearing (Pair)		612 030 00 60	CB-1842P	4
		612 030 01 60	CB-1842P-.25MM	
		612 030 02 60	CB-1842P-.50MM	
	Connecting Rod With Housing Bore Resized .002" Larger Than Stock	Exclusive	CB-1843P-.25MM	4
		Exclusive	CB-1843P-.50MM	
Connecting Rod Bearing Set		612 030 00 60	CB-1842P(4)	1
		612 030 01 60	CB-1842P-.25MM(4)	
		612 030 02 60	CB-1842P-.50MM(4)	
Main Bearing Set	Thrust Washer Set Not Included	602 030 20 40	MS-2331P	1
		602 030 21 40	MS-2331P-.25MM	
		602 030 22 40	MS-2331P-.50MM	
Thrust Washer Set	4 Per Package, Position 4	601 030 00 62	TW-620S	1
Piston Pin Bushing	Requires Reaming, 0.875" Pin Bore	611 038 00 50	223-3665	4

Filters

Oil filter element	Filter Type Oil Filter Cartridge	6111800009	OX 153D3 ECO	1
Inline fuel filter	Filter Type In-line Fuel Filter, With Water Level Sensor Preparation	6420920701	KL 228/2D	1
	Filter Type In-line Fuel Filter	6460920501	KL 313	1

4	Engine Code: 'OM 612 LA' 5 Cyl, 2.7L / 164 CID, Bore 88.0mm / 3.465", Stroke 88.4mm / 3.480"; Dodge Sprinter	4		
----------	---	----------	--	--

Cylinder Components

Piston	Rod Type Straight	611 037 11 01	224-3364WR	5
		Exclusive	224-3364WR.020	
		Exclusive	224-3364WR.040	
	Rod Type Tapered	611 030 14 17	224-3366WR	5
		612 030 04 17		
		Exclusive	224-3366WR.020	



PART	NOTES	OE INTERCHANGE NUMBER	PART NUMBER	ORDER QTY
------	-------	-----------------------	-------------	-----------

4 (cont.)	Engine Code: 'OM 612 LA' 5 Cyl, 2.7L / 164 CID, Bore 88.0mm / 3.465", Stroke 88.4mm / 3.480"; Dodge Sprinter			4 (cont.)
----------------------	---	--	--	----------------------

Cylinder Components

Piston		Exclusive	224-3366WR.030	
		Exclusive	224-3366WR.040	
Ring Set		611 030 00 24 646 030 03 24	41932*	1
		Exclusive	41932.010	
		Exclusive	41932.020	
		Exclusive	41932.030	
		Exclusive	41932.040	
		Exclusive	41932.040	

Engine Gaskets

Engine Full Gasket Set		Exclusive	95-3614VR	1
Engine Cylinder Head Gasket Set		612 010 18 20 647 016 01 21	HS54429	1
Engine Conversion Gasket Set	Contains Front And Rear Crankshaft Seals, Use With Head Set To Make Full Set	612 010 14 05	CS54429	1
Engine Cylinder Head Gasket	Material Multi-Layered Steel	647 016 06 20	54429	1
Engine Cylinder Head Bolt Set	12 Per Package	611 990 13 22	GS33422	1
Engine Valve Cover Gasket Set		647 016 01 21	VS50377	1
Engine Valve Stem Seal Set		612 050 00 58	B45945	20
Engine Intake Manifold Gasket Set		612 141 01 80	MS19270	1
Exhaust Manifold Gasket Set	Material Multi-Layered Steel	612 142 03 80	MS19271	1
Engine Oil Pan Gasket Set		612 014 01 22	OS32263	1
Engine Timing Cover Gasket		611 015 01 80	T31767	1
Engine Timing Cover Seal		023 997 84 47	67769	1
Rear Main Seal Set		611 010 01 14	JV1680	1

Bearings

Connecting Rod Bearing (Pair)		612 030 00 60	CB-1842P	5
		612 030 01 60	CB-1842P-.25MM	
		612 030 02 60	CB-1842P-.50MM	
	Connecting Rod With Housing Bore Resized .002" Larger Than Stock	Exclusive	CB-1843P-.25MM	5
		Exclusive	CB-1843P-.50MM	
Connecting Rod Bearing Set		612 030 00 60	CB-1842P(5)	1
		612 030 01 60	CB-1842P-.25MM(5)	
		612 030 02 60	CB-1842P-.50MM(5)	
Main Bearing Set		602 030 20 40	MS-2248P	1



PART	NOTES	OE INTERCHANGE NUMBER	PART NUMBER	ORDER QTY
------	-------	-----------------------	-------------	-----------

4 (cont.)	Engine Code: 'OM 612 LA' 5 Cyl, 2.7L / 164 CID, Bore 88.0mm / 3.465", Stroke 88.4mm / 3.480"; Dodge Sprinter	4 (cont.)		
----------------------------	--	----------------------------	--	--

Bearings

Main Bearing Set	Note Requires Thrust Washer Set, Not Included, Use With Part Number TW-620S	602 030 21 40	MS-2248P-.25MM	
		602 030 22 40	MS-2248P-.50MM	
Thrust Washer Set	4 Per Package, Position 4	601 030 00 62	TW-620S	1
Piston Pin Bushing	Requires Reaming, 0.875" Pin Bore	611 038 00 50	223-3665	5

Filters

Oil filter element	Filter Type Oil Filter Cartridge	6111800009	OX 153D3 ECO	1
Inline fuel filter	Filter Type In-line Fuel Filter	6110920601	KL 100/2	1
	Filter Type In-line Fuel Filter	6120920001	KL 195	1

Turbochargers

Turbocharger	2002-2003 Dodge Sprinter 2500/3500	6120960399	001 TC 15049 000	1
---------------------	------------------------------------	------------	-------------------------	---

5	Engine Code: 'OM 647 LA' 5 Cyl, 2.7L / 164 CID, Bore 88.0mm / 3.465", Stroke 88.4mm / 3.479"; Dodge Sprinter	5		
----------	--	----------	--	--

Cylinder Components

Piston		611 030 10 17	224-3585WR	5	
		646 030 10 17			
Ring Set		647 030 01 17	41932•	1	
		Exclusive			224-3585WR-.50MM
		611 030 00 24			
		646 030 03 24			
		Exclusive			41932.010
		Exclusive			41932.020
Exclusive	41932.030				
Exclusive	41932.040				

Engine Gaskets

Engine Full Gasket Set		Exclusive	95-3614VR	1
Engine Cylinder Head Gasket Set		612 010 18 20 647 016 01 21	HS54429	1
Engine Conversion Gasket Set	Contains Front And Rear Crankshaft Seals, Use With Head Set To Make Full Set	612 010 14 05	CS54429	1
Engine Cylinder Head Gasket	Material Multi-Layered Steel	647 016 06 20	54429	1
Engine Cylinder Head Bolt Set	12 Per Package	611 990 13 22	GS33422	1
Engine Valve Cover Gasket Set		647 016 01 21	VS50377	1
Valve Stem Seal (Intake)		612 050 00 58	B45945	10
Valve Stem Seal (Exhaust)		612 050 00 58	B45945	10



PART	NOTES	OE INTERCHANGE NUMBER	PART NUMBER	ORDER QTY
------	-------	-----------------------	-------------	-----------

5 (cont.)	Engine Code: 'OM 647 LA' 5 Cyl, 2.7L / 164 CID, Bore 88.0mm / 3.465", Stroke 88.4mm / 3.479"; Dodge Sprinter	5 (cont.)		
----------------------	--	----------------------	--	--

Engine Gaskets

Engine Intake Manifold Gasket Set		612 141 01 80	MS19270	1
Exhaust Manifold Gasket Set	Material Multi-Layered Steel	612 142 03 80	MS19271	1
Engine Oil Pan Gasket Set		612 014 01 22	OS32263	1
Engine Timing Cover Gasket		611 015 01 80	T31767	1
Engine Timing Cover Seal		023 997 84 47	67769	1
Rear Main Seal Set		611 010 01 14	JV1680	1

Miscellaneous Gaskets

Engine Water Pump Gasket	Material Rubber Coated Beaded Steel	611 201 02 80	K31768	1
Engine Coolant Outlet Gasket		611 203 03 80	C31769	1

Bearings

Connecting Rod Bearing (Pair)		612 030 00 60	CB-1842P	5
		612 030 01 60	CB-1842P-.25MM	
		612 030 02 60	CB-1842P-.50MM	
	Connecting Rod With Housing Bore Resized .002" Larger Than Stock	Exclusive	CB-1843P-.25MM	5
		Exclusive	CB-1843P-.50MM	
Connecting Rod Bearing Set		612 030 00 60	CB-1842P(5)	1
		612 030 01 60	CB-1842P-.25MM(5)	
		612 030 02 60	CB-1842P-.50MM(5)	
Main Bearing Set	Note Requires Thrust Washer Set, Not Included, Use With Part Number TW-620S	602 030 20 40	MS-2248P	1
		602 030 21 40	MS-2248P-.25MM	
		602 030 22 40	MS-2248P-.50MM	
Thrust Washer Set	4 Per Package, Position 4	601 030 00 62	TW-620S	1
Piston Pin Bushing	Requires Reaming, 0.875" Pin Bore	611 038 00 50	223-3665	5

Valve Train & Ancillary

Valve (Intake)	1.130" Head Diameter, .274" Stem Diameter, 4.096" Total Length, 45 Degree Seat	5117 399AA 628 053 00 01	211-4262	10
Valve (Exhaust)	1.031" Head Diameter, .274" Stem Diameter, 4.114 " Total Length, 45 Degree Seat	5117 402AA 628 053 00 05	211-4263	10

Filters

Oil filter element	Filter Type Oil Filter Cartridge	6111800009	OX 153D3 ECO	1
Inline fuel filter	Filter Type In-line Fuel Filter	6110920601	KL 100/2	1
	Filter Type In-line Fuel Filter	6120920001	KL 195	1

Turbochargers

Turbocharger	2004-2006 Dodge Sprinter 2500/3500	6470900280	001 TC 21102 000	1
--------------	------------------------------------	------------	------------------	---



PART	NOTES	OE INTERCHANGE NUMBER	PART NUMBER	ORDER QTY
------	-------	-----------------------	-------------	-----------

6	Engine Code: 'OM 352' 6 Cyl, 5.7L / 346 CID, Bore 97.0mm / 3.819", Stroke 128.0mm / 5.039"	6
----------	---	----------

Cylinder Components

Cylinder Sleeve		352 011 16 10	226-4609	6
Bearings				
Connecting Rod Bearing Set		364 030 03 60	CB-1952P(6)	1
		364 030 04 60	CB-1952P-.25MM(6)	
		364 030 05 60	CB-1952P-.50MM(6)	
		364 030 07 60	CB-1952P-.75MM(6)	
Main Bearing Set		366 030 00 40	MS-2333P	1
		344 030 10 40	MS-2333P-.25MM	
		344 030 11 40	MS-2333P-.50MM	
		344 030 12 40	MS-2333P-.75MM	
Piston Pin Bushing		352 038 21 50	223-3727	6
Camshaft Bearing Set		344 050 00 51	SH-2188S	1
Filters				
Spin-on fuel filter		A 001 092 03 01	KC 218	1

7	Engine Codes: 'OM 366, OM 366 A, OM 366 LA' 6 Cyl, 6.0L / 366 CID, Bore 97.5mm / 3.839", Stroke 133.0mm / 5.236"; Turbocharged	7
----------	---	----------

Cylinder Components

Cylinder Sleeve Assembly	Contains OE# 366 030 00 17 Piston and Repair Sleeve, 16.5:1 CR, Straight Rod	See Note	226-2079	6
	Contains OE# 366 030 73 17 Piston and Repair Sleeve, 17.25:1 CR, Tapered Rod	See Note	226-2080	6
	Contains OE# 366 030 14 18 Piston and Repair Sleeve, 18.0:1 CR, Tapered Rod	See Note	226-2081	6
	18.0:1 CR, Tapered Rod	See Note	226-2082	6
Cylinder Sleeve		352 011 16 10	226-4609	6
Piston	16.5:1 CR, Straight Rod, Piston With Compression Height 62.80MM, Chamber Depth 22.35MM, Contained Within 226-2079	366 030 00 17	224-3836	6
	17.25:1 CR, Tapered Rod, Piston With Compression Height 62.80MM, Chamber Depth 22.60MM, Total Length 107.80MM, Contained Within 226-2080	366 030 73 17 366 037 73 01	224-3837	6
	18.0:1 CR, Tapered Rod, Piston With Compression Height 63.00MM, Chamber Depth 22.20MM, Total Length 108.00MM, Contained Within 226-2082	Exclusive	224-3838	6
	18.0:1 CR, Tapered Rod, Piston With Compression Height 63.00MM, Chamber Depth 23.00MM, Total Length 108.00MM, Contained Within 226-2081	366 030 14 18	224-3839	6
Ring Set	Mexico Market Only	366 030 00 24 376 030 02 24	3007KM	1
		366 030 00 24 376 030 02 24	S42159*	6



PART	NOTES	OE INTERCHANGE NUMBER	PART NUMBER	ORDER QTY
------	-------	-----------------------	-------------	-----------

7 (cont.)	Engine Codes: 'OM 366, OM 366 A, OM 366 LA' 6 Cyl, 6.0L / 366 CID, Bore 97.5mm / 3.839", Stroke 133.0mm / 5.236"; Turbocharged	7 (cont.)
----------------------------	---	----------------------------

Engine Gaskets

Engine Full Gasket Set	Contains OE# 366 010 61 20 Head Gasket Set and 366 010 44 08 Lower Gasket Set	Exclusive	FS54836	1
Engine Cylinder Head Gasket Set	Contains OE# 346 017 01 60 (6) And 016 997 82 48 (6) Seal Rings	366 010 61 20	HS54836	1
Engine Conversion Gasket Set	Oil Pan Gasket Not Included	366 010 44 08	CS54836	1
Engine Cylinder Head Bolt Set	25 Per Package	366 990 03 01	GS33646	1

Bearings

Connecting Rod Bearing Set		364 030 03 60	CB-1952P(6)	1
		364 030 04 60	CB-1952P-.25MM(6)	
		364 030 05 60	CB-1952P-.50MM(6)	
		364 030 07 60	CB-1952P-.75MM(6)	
Main Bearing Set		366 030 00 40	MS-2333P	1
		344 030 10 40	MS-2333P-.25MM	
		344 030 11 40	MS-2333P-.50MM	
		344 030 12 40	MS-2333P-.75MM	
Piston Pin Bushing		352 038 21 50	223-3727	6
	Tapered Rod	Exclusive	223-3728	6
Camshaft Bearing Set		344 050 00 51	SH-2188S	1

Valve Train & Ancillary

Valve (Intake)	Seat Angle 30 Degrees	366 050 03 26	211-4301	6
	Naturally Aspirated Engines	366 050 02 26	211-4302	6
	Seat Angle 20 Degrees	366 050 12 26	211-4303	6
Valve (Exhaust)		366 050 06 27	211-4299	6
	Naturally Aspirated Engines	366 050 00 27	211-4300	6
		366 050 02 27	211-4306	6

Filters

Fuel filter element		0000901151	KX 49D	1
	Premium	0000901151 3524700092	KX 68D ECO	1

Turbochargers

Turbocharger		376 096 70 99 376 096 71 99	001 TC 31101 000•	1
--------------	--	--------------------------------	-------------------	---

8	Engine Code: 'OM 904 LA' 4 Cyl, 4.3L / 259 CID, Bore 102.0mm / 4.016", Stroke 130.0mm / 5.118"; Turbocharged-Aftercooled	8
----------	---	----------

Cylinder Components

Cylinder Sleeve Assembly	Contains OE# 906 030 36 17 Piston, 40MM Pin Diameter	See Note	226-2083	4
--------------------------	--	----------	----------	---



PART	NOTES	OE INTERCHANGE NUMBER	PART NUMBER	ORDER QTY
------	-------	-----------------------	-------------	-----------

8 (cont.)	Engine Code: 'OM 904 LA' 4 Cyl, 4.3L / 259 CID, Bore 102.0mm / 4.016", Stroke 130.0mm / 5.118"; Turbocharged-Aftercooled			8 (cont.)
----------------------	---	--	--	----------------------

Cylinder Components

Cylinder Sleeve Assembly	Contains OE# 906 030 40 17 Piston, 42MM Pin Diameter	See Note	226-2084•	4
Cylinder Sleeve		906 011 01 10	226-4606	4
Piston		906 030 23 18	224-3828WR	4
		906 030 31 18	224-3828WR-030MM	
		906 030 32 18	224-3828WR-060MM	
		906 030 33 18	224-3828WR-090MM	
	40MM Pin Diameter, Contained Within 226-2083	906 030 32 17 906 030 36 17	224-3841	4
	42MM Pin Diameter, Contained Within 226-2084	906 030 40 17 906 030 60 17	224-3842	4
Ring Set	Set For 2 Cylinders	9060300224	42210	2
		9060300224	S42210•	4

Engine Gaskets

Engine Full Gasket Set	Contains OE# 904 010 45 21 Head Set and 906 010 09 06 Lower Set, Contains Front And Rear Crankshaft Seals, Valve Cover Gasket Not Included, Oil Pan Gasket Not Included, Valve Stem Seals Not Included	See Note	FS54837	1
Engine Cylinder Head Gasket Set	For Plastic Valve Cover, Valve Stem Seals Not Included	904 010 45 21 904 010 80 20	HS54837	1
Engine Conversion Gasket Set	Contains Front And Rear Crankshaft Seals, Oil Pan Gasket Not Included	906 010 09 06 906 010 14 05	CS54837•	1
Engine Cylinder Head Gasket	54837 Standard Head Gasket 1.25MM Thickness, 54881 .30MM Over Thickness Head Gasket	904 016 13 20	54837	1
		See Note	54881	
Engine Cylinder Head Bolt Set	10 Per Package	906 016 07 69	GS33647	1
Engine Valve Cover Gasket Set	For Cast Steel Valve Cover, Contains Valve Cover Grommets OE#: (5) 906 016 00 80	904 016 06 21	VS50617	1
	For Plastic Valve Cover, Contains Valve Cover Grommets OE#: (5) 000 016 00 40	000 016 04 21	VS50621	1
Engine Valve Stem Seal Set	From Engine # 039740 Mexico Market Only, Intake And Exhaust, 100 pack	906 053 03 58 906 053 04 58	B45984	1
	To Engine # 039739 Mexico Market Only, Intake And Exhaust, 100 pack	906 053 01 58	SS46045	1
	To Engine # 039739 12 Per Package, Intake And Exhaust	906 053 01 58	SS46058	1
	From Engine # 039740 12 Per Package, Intake And Exhaust	906 053 03 58 906 053 04 58	SS46059	1
Engine Intake Manifold Gasket		906 141 01 80	MS19753•	2
		904 141 02 08	MS19876	4
Exhaust Manifold Gasket		906 142 11 80 926 142 00 80	MS19752	2



PART	NOTES	OE INTERCHANGE NUMBER	PART NUMBER	ORDER QTY
------	-------	-----------------------	-------------	-----------

8 (cont.)	Engine Code: 'OM 904 LA' 4 Cyl, 4.3L / 259 CID, Bore 102.0mm / 4.016", Stroke 130.0mm / 5.118"; Turbocharged-Aftercooled			8 (cont.)
----------------------	---	--	--	----------------------

Engine Gaskets

Engine Oil Pan Gasket Set	For Cast Steel Oil Pan	904 014 09 22 904 014 10 22	OS32402	1
	For Plastic Oil Pan	904 014 07 22	OS32406	1
Engine Timing Cover Seal		022 997 76 47	67937	1
Rear Main Seal		025 997 50 47	67936	1

Bearings

Connecting Rod Bearing Set	To 170 HP	926 030 00 60	CB-1888P(4)	1
		926 030 02 60	CB-1888P-.25MM(4)	
		926 030 13 60	CB-1888P-.50MM(4)	
	From 170 HP, Sputter Bearings	926 030 00 60	CB-1895P(4)•	1
		926 030 02 60	CB-1895P-.25MM(4)	
926 030 13 60		CB-1895P-.50MM(4)		
Main Bearing Set	Oval Oil Holes	926 030 07 40	MS-2282P	1
		926 030 09 40	MS-2282P-.25MM	
		926 030 10 40	MS-2282P-.50MM	
Thrust Washer Set	2 Per Package	906 033 05 62 906 033 09 62	TW-705S	1
Piston Pin Bushing	42MM Pin Diameter	906 038 06 50	223-3685	4
	42MM Pin Diameter, + 0.50 MM OD	906 038 06 50	223-3686	4
Camshaft Bearing Set		Exclusive	SH-2182S	1

Valve Train & Ancillary

Valve (Intake)		906 050 03 26	211-4305	8
Valve (Exhaust)		906 050 03 27	211-4304	4

Filters

Oil filter element		9061800109	OX 161D ECO	1
Fuel filter element		0000901551	KX 67/2D ECO	1
	Prefilter	0000901351	KX 72D1	1

Turbochargers

Turbocharger		904 096 90 99	001 TC 21101 000•	1
	Oil Drain Tube	904 997 02 82	TURBODRAIN1•	1

Cooling and Climatization

Thermostat insert		004 203 84 75 005 203 28 75	TX 18 71D	1
		004 203 85 75 005 203 27 75	TX 18 79D	1
		004 203 83 75 005 203 26 75	TX 18 83D	1
		002 203 76 76 003 203 69 75	TX 18 87D	1



PART	NOTES	OE INTERCHANGE NUMBER	PART NUMBER	ORDER QTY
------	-------	-----------------------	-------------	-----------

9	Engine Code: 'OM 906 LA' 6 Cyl, 6.4L / 390 CID, Bore 102.0mm / 4.016", Stroke 130.0mm / 5.118"; Turbocharged-Aftercooled	9		
----------	---	----------	--	--

Cylinder Components

Cylinder Sleeve Assembly	Contains OE# 906 030 36 17 Piston, 40MM Pin Diameter	See Note	226-2083	6
	Contains OE# 906 030 40 17 Piston, 42MM Pin Diameter	See Note	226-2084•	6
Cylinder Sleeve		906 011 01 10	226-4606	6
Piston		906 030 23 18	224-3828WR	6
		906 030 31 18	224-3828WR-030MM	
		906 030 32 18	224-3828WR-060MM	
		906 030 33 18	224-3828WR-090MM	
	40MM Pin Diameter, Contained Within 226-2083	906 030 32 17 906 030 36 17	224-3841	6
	42MM Pin Diameter, Contained Within 226-2084	906 030 40 17 906 030 60 17	224-3842	6
Ring Set	Set For 2 Cylinders	9060300224	42210	3
		9060300224	S42210•	6

Engine Gaskets

Engine Full Gasket Set	Contains OE# 906 010 92 21 Head Set and 906 010 09 06 Lower Set, Contains Front And Rear Crankshaft Seals, Valve Cover Gasket Not Included, Oil Pan Gasket Not Included, Valve Stem Seals Not Included	See Note	FS54838	1
Engine Cylinder Head Gasket Set	For Plastic Valve Cover, Valve Stem Seals Not Included	906 010 04 21 906 010 92 21	HS54838•	1
Engine Conversion Gasket Set	Contains Front And Rear Crankshaft Seals, Oil Pan Gasket Not Included	906 010 09 06 906 010 14 05	CS54837•	1
Engine Cylinder Head Gasket	54838 Standard Head Gasket 1.25MM Thickness, 54882 .30MM Over Thickness Head Gasket	906 016 12 20 906 016 14 20	54838•	1
		See Note	54882	
Engine Cylinder Head Bolt Set	14 Per Package	906 016 07 69	GS33648•	1
Engine Valve Cover Gasket Set	To Engine # 519821 For Plastic Valve Cover, Contains Valve Cover Grommets OE#: (7) 000 016 00 40	000 016 05 21	VS50618	1
	For Cast Steel Valve Cover, Contains Valve Cover Grommets OE#: (7) 906 016 00 80	906 016 06 21	VS50619	1
Engine Valve Stem Seal Set	From Engine # 041956 Mexico Market Only, Intake And Exhaust, 100 pack	906 053 03 58 906 053 04 58	B45984	1
	To Engine # 041955 Mexico Market Only, Intake And Exhaust, 100 pack	906 053 01 58	SS46045	1
	To Engine # 041955 18 Per Package, Intake And Exhaust	906 053 01 58	SS46060	1
	From Engine # 041956 18 Per Package, Intake And Exhaust	906 053 03 58 906 053 04 58	SS46061	1
Engine Intake Manifold Gasket		906 141 01 80	MS19753•	3
		904 141 02 08	MS19876	6
Exhaust Manifold Gasket		906 142 11 80 926 142 00 80	MS19752	3



PART	NOTES	OE INTERCHANGE NUMBER	PART NUMBER	ORDER QTY
------	-------	-----------------------	-------------	-----------

9 (cont.)	Engine Code: 'OM 906 LA' 6 Cyl, 6.4L / 390 CID, Bore 102.0mm / 4.016", Stroke 130.0mm / 5.118"; Turbocharged-Aftercooled			9 (cont.)
----------------------	---	--	--	----------------------

Engine Gaskets

Engine Oil Pan Gasket Set	For Cast Steel Oil Pan	906 014 07 22	OS32401	1
	For Plastic Oil Pan	906 014 05 22	OS32407	1
Engine Timing Cover Seal		022 997 76 47	67937	1
Rear Main Seal		025 997 50 47	67936	1

Bearings

Connecting Rod Bearing Set	To 280 HP	926 030 00 60	CB-1888P(6)	1
		926 030 02 60	CB-1888P-.25MM(6)	
		926 030 13 60	CB-1888P-.50MM(6)	
	From 280 HP, Sputter Bearings	926 030 00 60	CB-1895P(6)•	1
		926 030 02 60	CB-1895P-.25MM(6)	
		926 030 13 60	CB-1895P-.50MM(6)	
Main Bearing Set	Oval Oil Holes	926 030 07 40	MS-2283P	1
		926 030 09 40	MS-2283P-.25MM	
		926 030 10 40	MS-2283P-.50MM	
Thrust Washer Set	2 Per Package	906 033 05 62 906 033 09 62	TW-705S	1
Piston Pin Bushing	42MM Pin Diameter	906 038 06 50	223-3685	6
	42MM Pin Diameter, + 0.50 MM OD	906 038 06 50	223-3686	6
Camshaft Bearing Set		Exclusive	SH-2184S	1

Valve Train & Ancillary

Valve (Intake)		906 050 03 26	211-4305	12
Valve (Exhaust)		906 050 03 27	211-4304	6

Filters

Oil filter element		9061800209	OX 174D ECO	1
Fuel filter element		0000901551	KX 67/2D ECO	1
	Prefilter	0000901351	KX 72D1	1

Turbochargers

Turbocharger		9060965199	001 TC 31102 000	1
---------------------	--	------------	-------------------------	---

Cooling and Climatization

Thermostat insert		004 203 84 75 005 203 28 75	TX 18 71D	1
		004 203 85 75 005 203 27 75	TX 18 79D	1
		004 203 83 75 005 203 26 75	TX 18 83D	1
		002 203 76 76 003 203 69 75	TX 18 87D	1



PART	NOTES	OE INTERCHANGE NUMBER	PART NUMBER	ORDER QTY
------	-------	-----------------------	-------------	-----------

10	Engine Code: 'OM 926 LA' 6 Cyl, 7.2L / 439 CID, Bore 106.0mm / 4.173", Stroke 136.0mm / 5.354"; Turbocharged-Aftercooled			10
-----------	---	--	--	-----------

Cylinder Components

Piston	Piston With Compression Height 61.40MM, Chamber Depth 12.56MM, Total Length 98.40MM	See Note	224-3710	6
Ring Set	Set For 2 Cylinders	926 030 08 24	S42127	3

Engine Gaskets

Engine Cylinder Head Gasket Set	Valve Stem Seals Not Included	926 010 03 20 926 010 46 20	HS54743	1
Engine Conversion Gasket Set	Contains Front And Rear Crankshaft Seals, Oil Pan Gasket Not Included	906 010 09 06 906 010 14 05	CS54837•	1
Engine Cylinder Head Gasket	54743 Standard Head Gasket 1.25MM Thickness, 54883 .30MM Over Thickness Head Gasket	926 016 08 20 926 016 12 20	54743•	1
		See Note	54883	
Engine Cylinder Head Bolt Set	14 Per Package	906 016 07 69	GS33648•	1
Engine Valve Cover Gasket Set	To engine # 518971 For Plastic Valve Cover, Contains Valve Cover Grommets OE#: (7) 000 016 00 40	000 016 05 21	VS50618	1
Engine Valve Stem Seal Set	From Engine # 041956 Mexico Market Only, Intake And Exhaust, 100 pack	906 053 03 58 906 053 04 58	B45984	1
	To Engine # 041955 Mexico Market Only, Intake And Exhaust, 100 pack	906 053 01 58	SS46045	1
	To Engine # 041955 18 Per Package, Intake And Exhaust	906 053 01 58	SS46060	1
	From Engine # 041956 18 Per Package, Intake And Exhaust	906 053 03 58 906 053 04 58	SS46061	1
Engine Intake Manifold Gasket		906 141 01 80	MS19753•	3
		904 141 02 08	MS19876	6
Exhaust Manifold Gasket		906 142 11 80 926 142 00 80	MS19752	3
Engine Oil Pan Gasket Set	For Cast Steel Oil Pan	906 014 07 22	OS32401	1
	For Plastic Oil Pan	906 014 05 22	OS32407	1
Engine Timing Cover Seal		022 997 76 47	67937	1
Rear Main Seal		025 997 50 47	67936	1

Bearings

Connecting Rod Bearing Set	To 280 HP	926 030 00 60	CB-1888P(6)	1
		926 030 02 60	CB-1888P-.25MM(6)	
		926 030 13 60	CB-1888P-.50MM(6)	
	From 280 HP, Sputter Bearings	926 030 00 60	CB-1895P(6)•	1
		926 030 02 60	CB-1895P-.25MM(6)	
926 030 13 60		CB-1895P-.50MM(6)		
Main Bearing Set	Oval Oil Holes	926 030 07 40	MS-2283P	1
		926 030 09 40	MS-2283P-.25MM	
		926 030 10 40	MS-2283P-.50MM	



PART	NOTES	OE INTERCHANGE NUMBER	PART NUMBER	ORDER QTY
------	-------	-----------------------	-------------	-----------

10 (cont.)	Engine Code: 'OM 926 LA' 6 Cyl, 7.2L / 439 CID, Bore 106.0mm / 4.173", Stroke 136.0mm / 5.354"; Turbocharged-Aftercooled			10 (cont.)
-----------------------------	--	--	--	-----------------------------

Bearings

Thrust Washer Set	2 Per Package	906 033 05 62 906 033 09 62	TW-705S	1
Piston Pin Bushing	42MM Pin Diameter	906 038 06 50	223-3685	6
	42MM Pin Diameter, + 0.50 MM OD	906 038 06 50	223-3686	6
Camshaft Bearing Set		Exclusive	SH-2184S	1

Valve Train & Ancillary

Valve (Intake)		906 050 03 26	211-4305	12
Valve (Exhaust)		906 050 03 27	211-4304	6

Filters

Oil filter element		9061800209	OX 174D ECO	1
Fuel filter element		0000901551	KX 67/2D ECO	1
	Prefilter	0000901351	KX 72D1	1

Cooling and Climatization

Thermostat insert		004 203 84 75 005 203 28 75	TX 18 71D	1
		004 203 85 75 005 203 27 75	TX 18 79D	1
		004 203 83 75 005 203 26 75	TX 18 83D	1
		002 203 76 76 003 203 69 75	TX 18 87D	1

11	Engine Code: 'OM 924 LA' 4 Cyl, 4.8L / 293 CID, Bore 106.0mm / 4.173", Stroke 136.0mm / 5.354"; Turbocharged-Aftercooled			11
-----------	--	--	--	-----------

Cylinder Components

Piston	Piston With Compression Height 61.40MM, Chamber Depth 12.56MM, Total Length 98.40MM	See Note	224-3710	4
Ring Set	Set For 2 Cylinders	926 030 08 24	S42127	2

Engine Gaskets

Engine Cylinder Head Gasket Set	Valve Stem Seals Not Included	924 010 26 20	HS54744•	1
Engine Conversion Gasket Set	Contains Front And Rear Crankshaft Seals, Oil Pan Gasket Not Included	906 010 09 06 906 010 14 05	CS54837•	1
Engine Cylinder Head Gasket	54744 Standard Head Gasket 1.25MM Thickness, 54884 . 30MM Over Thickness Head Gasket	924 016 07 20 924 016 11 20	54744	1
		See Note	54884	
Engine Cylinder Head Bolt Set	10 Per Package	906 016 07 69	GS33647	1
Engine Valve Cover Gasket Set	To Engine # 519821 For Plastic Valve Cover, Contains Valve Cover Grommets OE#: (5) 000 016 00 40	000 016 04 21	VS50621	1



PART	NOTES	OE INTERCHANGE NUMBER	PART NUMBER	ORDER QTY
------	-------	-----------------------	-------------	-----------

11 (cont.)	Engine Code: 'OM 924 LA' 4 Cyl, 4.8L / 293 CID, Bore 106.0mm / 4.173", Stroke 136.0mm / 5.354"; Turbocharged-Aftercooled	11 (cont.)
-----------------------	---	-----------------------

Engine Gaskets

Engine Valve Stem Seal Set	From Engine # 039740 Mexico Market Only, Intake And Exhaust, 100 pack	906 053 03 58 906 053 04 58	B45984	1
	To Engine # 039739 Mexico Market Only, Intake And Exhaust, 100 pack	906 053 01 58	SS46045	1
	To Engine # 039739 12 Per Package, Intake And Exhaust	906 053 01 58	SS46058	1
	From Engine # 039740 12 Per Package, Intake And Exhaust	906 053 03 58 906 053 04 58	SS46059	1
Engine Intake Manifold Gasket		906 141 01 80	MS19753•	2
		904 141 02 08	MS19876	4
Exhaust Manifold Gasket		906 142 11 80 926 142 00 80	MS19752	2
Engine Oil Pan Gasket Set	For Cast Steel Oil Pan	904 014 09 22 904 014 10 22	OS32402	1
	For Plastic Oil Pan	904 014 07 22	OS32406	1
Engine Timing Cover Seal		022 997 76 47	67937	1
Rear Main Seal		025 997 50 47	67936	1

Bearings

Connecting Rod Bearing Set	To 170 HP	926 030 00 60	CB-1888P(4)	1
		926 030 02 60	CB-1888P-.25MM(4)	
		926 030 13 60	CB-1888P-.50MM(4)	
	From 170 HP, Sputter Bearings	926 030 00 60	CB-1895P(4)•	1
		926 030 02 60	CB-1895P-.25MM(4)	
		926 030 13 60	CB-1895P-.50MM(4)	
Main Bearing Set	Oval Oil Holes	926 030 07 40	MS-2282P	1
		926 030 09 40	MS-2282P-.25MM	
		926 030 10 40	MS-2282P-.50MM	
Thrust Washer Set	2 Per Package	906 033 05 62 906 033 09 62	TW-705S	1
Piston Pin Bushing	42MM Pin Diameter	906 038 06 50	223-3685	4
	42MM Pin Diameter, + 0.50 MM OD	906 038 06 50	223-3686	4
Camshaft Bearing Set		Exclusive	SH-2182S	1

Valve Train & Ancillary

Valve (Intake)		906 050 03 26	211-4305	8
Valve (Exhaust)		906 050 03 27	211-4304	4

Filters

Oil filter element		9061800109	OX 161D ECO	1
Fuel filter element		0000901551	KX 67/2D ECO	1
	Prefilter	0000901351	KX 72D1	1



PART	NOTES	OE INTERCHANGE NUMBER	PART NUMBER	ORDER QTY
------	-------	-----------------------	-------------	-----------

11 (cont.)	Engine Code: 'OM 924 LA' 4 Cyl, 4.8L / 293 CID, Bore 106.0mm / 4.173", Stroke 136.0mm / 5.354"; Turbocharged-Aftercooled			11 (cont.)
-----------------------------	--	--	--	-----------------------------

Turbochargers

Turbocharger		9240961799	001 TC 31103 000•	1
--------------	--	------------	-------------------	---

Cooling and Climatization

Thermostat insert		004 203 84 75 005 203 28 75	TX 18 71D	1
		004 203 85 75 005 203 27 75	TX 18 79D	1
		004 203 83 75 005 203 26 75	TX 18 83D	1
		002 203 76 76 003 203 69 75	TX 18 87D	1

12	Engine Code: 'OM 447 LA' 6 Cyl, 12.0L / 732 CID, Bore 128.0mm / 5.039", Stroke 155.0mm / 6.102"			12
-----------	---	--	--	-----------

Cylinder Components

Cylinder Sleeve Assembly	Piston With Compression Height 89.95MM, Chamber Depth 24.00MM, Total Length 140.00MM	See Note	226-2085•	6
Cylinder Sleeve		447 011 01 10 447 011 02 10	226-4607	6
Piston	Piston With Compression Height 89.95MM, Chamber Depth 24.00MM, Total Length 140.00MM, Contained Within 226-2085	Exclusive	224-3840	6
Ring Set		Exclusive	S42220	6
Sleeve O-Ring Kit		Exclusive	223-7220	6

Engine Gaskets

Engine Cylinder Head Gasket Set		444 010 01 20	HS54757	6
Engine Cylinder Head Gasket		422 016 04 20	54757	6
Engine Cylinder Head Bolt Set	Contains OE# (1) 422 990 02 01, (3) 422 990 03 01 And (2) 422 990 04 01	422 990 02 01 422 990 03 01 422 990 04 01	GS33662	6
Engine Valve Cover Gasket		442 016 07 21	VS50633	6
Engine Valve Stem Seal Set	Mexico Market Only, Intake And Exhaust, 100 pack	422 053 01 96	SS46053	1
Engine Intake Manifold Gasket		442 141 17 80	MS19860	6
Exhaust Manifold Gasket		403 142 03 80	MS19861	6
Engine Oil Pan Gasket Set		447 014 00 22	OS32413	1
Engine Timing Cover Seal	Rubber, ID 105 x OD 130 x Depth 12	014 997 46 47	67960	1
Rear Main Seal	Rubber, ID 120 x OD 140 x Depth 13	013 997 14 47	67959	1



PART	NOTES	OE INTERCHANGE NUMBER	PART NUMBER	ORDER QTY
------	-------	-----------------------	-------------	-----------

12 (cont.)	Engine Code: 'OM 447 LA' 6 Cyl, 12.0L / 732 CID, Bore 128.0mm / 5.039", Stroke 155.0mm / 6.102"			12 (cont.)
-----------------------------	--	--	--	-----------------------------

Bearings

Connecting Rod Bearing Set		457 030 06 60	CB-1901P	1
Main Bearing Set		447 030 00 40	MS-2345P•	1
		447 030 02 40	MS-2345P-.25MM	
Piston Pin Bushing		476 038 00 50	223-3683	6
Camshaft Bearing Set		476 050 00 51	SH-2131S	1

Filters

Oil filter element		0001843825 0021847725	OX 69D	1
Fuel filter element		0000901451 4220900051	KX 65D ECO	1

13	Engine Code: 'OM 457 LA' 6 Cyl, 12.0L / 732 CID, Bore 128.0mm / 5.039", Stroke 155.0mm / 6.102"			13
-----------	--	--	--	-----------

Cylinder Components

Cylinder Sleeve Assembly	17.25:1 CR, Piston With Compression Height 90.05MM, Chamber Depth 18.00MM, Total Length 140.05MM	See Note	226-2086	6
Sleeve O-Ring Kit	Contains OE#: (2) 457 997 05 45 and (1) 457 011 02 59	See Note	223-7221	6

Engine Gaskets

Engine Cylinder Head Gasket Set	For Plastic Valve Cover	See Note	HS54742	6
	For Cast Steel Valve Cover	457 010 31 20	HS54885	6
Engine Conversion Gasket Set		457 010 01 05	CS54863	1
Engine Cylinder Head Gasket	Non-Grommet Style Head Gasket	460 016 05 20	54978•	6
	Grommet Style Head Gasket	460 016 04 20	54979•	6
Engine Cylinder Head Bolt Set	4 Per Package	457 990 02 01 457 990 05 01	GS33663	6
Engine Valve Cover Gasket Set	For Cast Steel Valve Cover	457 016 00 21	VS50634	6
	For Plastic Valve Cover	457 016 01 21	VS50635	6
Engine Valve Stem Seal Set	Mexico Market Only, Intake And Exhaust, 100 pack	000 053 35 58	SS46054	1
	24 Per Package, Intake And Exhaust	000 053 35 58	SS46075•	1
Engine Intake Manifold Gasket Set		457 141 00 80	MS19862	6
Engine Intake Manifold Gasket		457 098 01 80	MS19863	6
		457 142 01 80		
Exhaust Manifold Gasket		541 142 04 80	MS19864	6
Engine Oil Pan Gasket Set	Beaded Paper	457 014 02 22	OS32450•	1
Engine Timing Cover Seal	Rubber, ID 105 x OD 130 x Depth 12	014 997 46 47	67960	1



PART	NOTES	OE INTERCHANGE NUMBER	PART NUMBER	ORDER QTY
------	-------	-----------------------	-------------	-----------

13 (cont.)	Engine Code: 'OM 457 LA' 6 Cyl, 12.0L / 732 CID, Bore 128.0mm / 5.039", Stroke 155.0mm / 6.102"			13 (cont.)
-----------------------------	---	--	--	-----------------------------

Engine Gaskets

Rear Main Seal	Rubber, ID 120 x OD 140 x Depth 13	013 997 14 47	67959	1
----------------	------------------------------------	---------------	-------	---

Bearings

Connecting Rod Bearing Set		457 030 11 60	CB-1951P(6)	1
Main Bearing Set		460 030 00 40	MS-2332P	1
		460 030 03 40	MS-2332P-.25MM	
		460 030 04 40	MS-2332P-.50MM	
Piston Pin Bushing		541 038 00 50	223-3684	6

Filters

Oil filter element		0001802909	OX 348D ECO	1
Fuel filter element		4570900051	KX 80D ECO	1
		5410900151		

14	Engine Code: 'OM 460 LA' 6 Cyl, 12.8L / 781 CID, Bore 128.0mm / 5.039", Stroke 166.0mm / 6.535"; Turbocharged, EPA07 - Engine Models 460.975-981			14
-----------	--	--	--	-----------

Cylinder Components

Cylinder Sleeve Assembly	Piston Cooling Nozzle not Included	460 030 34 37 460 030 35 37	226-2097•	6
Cylinder Sleeve		460 011 20 10	226-4629•	6
Cylinder Sleeve (Bare)		460 011 20 10	226-4629X•	6
Piston		460 030 10 17	224-3869•	6
		460 030 13 17		
Piston cooling nozzle	Contains OE#: (1) 460 180 04 43 Nozzle and (1) 460 990 00 63 Bolt	460 180 04 43	223-4006•	6
Ring Set		460 030 01 24	S42251•	6
		460 030 03 24		
		460 030 04 24		
Sleeve O-Ring Kit	Contains OE#: (1) 460 997 01 45 D-Ring, (2) 457 997 11 45 O-Ring, (1) 457 011 02 59 / 460 011 01 59 Liner Shim	See Note	223-7225•	6

Engine Gaskets

Engine Cylinder Head Gasket Set	Single-Head Head Set, Contains Grommet Style Head Gasket	460 010 12 20	HS54979•	6
Engine Conversion Gasket Set	Contains OE#: 014 997 46 47 Front Crankshaft Seal (ID 105 x OD 130 x Depth 12) and 013 997 14 47 Rear Crankshaft Seal (ID 120 x OD 140 x Depth 13), Includes Wear Sleeve, Oil Pan Gasket Not Included	460 010 05 05 460 010 10 05	CS54978•	1
Engine Cylinder Head Gasket	Grommet Style Head Gasket	460 016 04 20	54979•	6
Engine Cylinder Head Bolt Set	4 Per Package	457 990 02 01 457 990 05 01	GS33663	6
Engine Valve Cover Gasket		460 016 00 21	VS50712•	6
		460 016 01 21		



PART	NOTES	OE INTERCHANGE NUMBER	PART NUMBER	ORDER QTY
------	-------	-----------------------	-------------	-----------

14 (cont.)	Engine Code: 'OM 460 LA' 6 Cyl, 12.8L / 781 CID, Bore 128.0mm / 5.039", Stroke 166.0mm / 6.535"; Turbocharged, EPA07 - Engine Models 460.975-981			14 (cont.)
-----------------------	---	--	--	-----------------------

Engine Gaskets

Engine Valve Stem Seal Set	Mexico Market Only, Intake And Exhaust, 100 pack	000 053 35 58	SS46054	1
	24 Per Package, Intake And Exhaust, Red Seal, Use With OE#: 541 053 27 30 / 541 053 28 30 Valve Guide	000 053 53 58 000 053 58 58	SS46074•	1
	24 Per Package, Intake And Exhaust	000 053 35 58	SS46075•	1
Engine Intake Manifold Gasket		457 098 01 80 457 142 01 80	MS19863	6
Exhaust Manifold Gasket Set		460 142 21 80	MS19913•	3
Intake and Exhaust Manifolds Combination Gasket		460 140 00 09 460 140 07 14	MS19915•	1
Engine Oil Pan Gasket Set	Beaded Paper	457 014 02 22	OS32450•	1
	Material Steel with Edge Molded Rubber	457 014 05 22	OS32451•	1
Engine Timing Cover Seal	Use with Wear Sleeve 67993 (OE# 442 031 00 27) Rubber, ID 105 x OD 130 x Depth 12	014 997 46 47	67960	1
	Wear Sleeve, ID 100 x OD 105 x Depth 24	403 031 07 27 442 031 00 27	67993•	1
	Use with Wear Sleeve 67993 (OE# 442 031 00 27) Teflon, ID 105 x OD 130 x Depth 12	See Note	67995•	1
	Teflon, ID 100 x OD 130 x Depth 11	025 997 39 47	67996•	1
Rear Main Seal	Use with Wear Sleeve 67994 (OE# 403 032 03 09) Rubber, ID 120 x OD 140 x Depth 13	013 997 14 47	67959	1
	Wear Sleeve, ID 115 x OD 120 x Depth 21	403 032 03 09	67994•	1
	Use with Wear Sleeve 67994 (OE# 403 032 03 09) Teflon, ID 120 x OD 140 x Depth 13	See Note	67997•	1
	Teflon, ID 115 x OD 140 x Depth 12	025 997 50 47	67998•	1

Miscellaneous Gaskets

Fuel Injector Seal Kit	Contains OE#: 906 017 08 60 Sealing Sleeve, 541 997 05 45, 541 997 06 45, 541 997 07 45 And 541 997 04 45 O-Rings	See Note	GS33713•	6
-------------------------------	---	----------	-----------------	---

Bearings

Connecting Rod Bearing (Pair)		460 030 07 60	CB-1970P•	6
		542 030 19 60	CB-1970P-.25MM	
Main Bearing Set		460 030 00 40	MS-2332P	1
		460 030 03 40	MS-2332P-.25MM	
		460 030 04 40	MS-2332P-.50MM	

Valve Train & Ancillary

Valve (Intake)		460 053 00 01 541 053 01 01	211-4317•	12
Valve (Exhaust)		457 050 03 27	211-4318•	12

Filters

Oil filter element		0001802909	OX 348D ECO	1
---------------------------	--	------------	--------------------	---



PART	NOTES	OE INTERCHANGE NUMBER	PART NUMBER	ORDER QTY
------	-------	-----------------------	-------------	-----------

14 (cont.)	Engine Code: 'OM 460 LA' 6 Cyl, 12.8L / 781 CID, Bore 128.0mm / 5.039", Stroke 166.0mm / 6.535"; Turbocharged, EPA07 - Engine Models 460.975-981			14 (cont.)
-----------------------	--	--	--	-----------------------

Filters

Fuel filter element		4570900051 5410900151	KX 80D ECO	1
---------------------	--	--------------------------	------------	---

Cooling and Climatization

Thermostat insert		004 203 84 75 005 203 28 75	TX 18 71D	2
		004 203 85 75 005 203 27 75	TX 18 79D	2
		004 203 83 75 005 203 26 75	TX 18 83D	2

15	Engine Code: 'OM 460 LA' 6 Cyl, 12.8L / 781 CID, Bore 128.0mm / 5.039", Stroke 166.0mm / 6.535"; Turbocharged, EPA 98 - Engine Models 460.900-923, 460.925, 460.929, 460.931, 460.970-971			15
-----------	---	--	--	-----------

Cylinder Components

Cylinder Sleeve Assembly	Piston Cooling Nozzle not Included	460 030 22 37 460 030 32 37	226-2095•	6
Cylinder Sleeve		460 011 02 10	226-4627•	6
Cylinder Sleeve (Bare)		460 011 02 10	226-4627X•	6
Piston		460 030 05 17	224-3867•	6
Piston cooling nozzle	Contains OE#: (1) 460 180 00 43 Nozzle and (1) 460 990 00 63 Bolt	460 180 00 43	223-4004•	6
Ring Set		460 030 01 24 460 030 03 24 460 030 04 24	S42251•	6
Sleeve O-Ring Kit	Contains OE#: (2) 457 997 05 45 and (1) 457 011 02 59	See Note	223-7221	6

Engine Gaskets

Engine Cylinder Head Gasket Set	Single-Head Head Set, Contains Non-Grommet Style Head Gasket	457 010 82 20	HS54978•	6
	Single-Head Head Set, Contains Grommet Style Head Gasket	460 010 12 20	HS54979•	6
Engine Conversion Gasket Set	Contains OE#: 014 997 46 47 Front Crankshaft Seal (ID 105 x OD 130 x Depth 12) and 013 997 14 47 Rear Crankshaft Seal (ID 120 x OD 140 x Depth 13), Includes Wear Sleeve, Oil Pan Gasket Not Included	460 010 05 05 460 010 10 05	CS54978•	1
Engine Cylinder Head Gasket	Non-Grommet Style Head Gasket	460 016 05 20	54978•	6
	Grommet Style Head Gasket	460 016 04 20	54979•	6
Engine Cylinder Head Bolt Set	4 Per Package	457 990 02 01 457 990 05 01	GS33663	6
Engine Valve Cover Gasket		460 016 00 21 460 016 01 21	VS50712•	6
Engine Valve Stem Seal Set	Mexico Market Only, Intake And Exhaust, 100 pack	000 053 35 58	SS46054	1
	24 Per Package, Intake And Exhaust, Red Seal, Use With OE#: 541 053 27 30 / 541 053 28 30 Valve Guide	000 053 53 58 000 053 58 58	SS46074•	1



PART	NOTES	OE INTERCHANGE NUMBER	PART NUMBER	ORDER QTY
------	-------	-----------------------	-------------	-----------

15 (cont.)	Engine Code: 'OM 460 LA' 6 Cyl, 12.8L / 781 CID, Bore 128.0mm / 5.039", Stroke 166.0mm / 6.535"; Turbocharged, EPA 98 - Engine Models 460.900-923, 460.925, 460.929, 460.931, 460.970-971			15 (cont.)
-----------------------	--	--	--	-----------------------

Engine Gaskets

Engine Valve Stem Seal Set	24 Per Package, Intake And Exhaust	000 053 35 58	SS46075•	1
Engine Intake Manifold Gasket		457 098 01 80 457 142 01 80	MS19863	6
Exhaust Manifold Gasket		541 142 04 80	MS19864	6
Intake and Exhaust Manifolds Combination Gasket		460 140 01 09 460 140 02 09	MS19914•	1
Engine Oil Pan Gasket Set	Beaded Paper	457 014 02 22	OS32450•	1
	Material Steel with Edge Molded Rubber	457 014 05 22	OS32451•	1
Engine Timing Cover Seal	Use with Wear Sleeve 67993 (OE# 442 031 00 27) Rubber, ID 105 x OD 130 x Depth 12	014 997 46 47	67960	1
	Wear Sleeve, ID 100 x OD 105 x Depth 24	403 031 07 27 442 031 00 27	67993•	1
	Use with Wear Sleeve 67993 (OE# 442 031 00 27) Teflon, ID 105 x OD 130 x Depth 12	See Note	67995•	1
	Teflon, ID 100 x OD 130 x Depth 11	025 997 39 47	67996•	1
Rear Main Seal	Use with Wear Sleeve 67994 (OE# 403 032 03 09) Rubber, ID 120 x OD 140 x Depth 13	013 997 14 47	67959	1
	Wear Sleeve, ID 115 x OD 120 x Depth 21	403 032 03 09	67994•	1
	Use with Wear Sleeve 67994 (OE# 403 032 03 09) Teflon, ID 120 x OD 140 x Depth 13	See Note	67997•	1
	Teflon, ID 115 x OD 140 x Depth 12	025 997 50 47	67998•	1

Miscellaneous Gaskets

Fuel Injector Seal Kit	Contains OE#: 906 017 08 60 Sealing Sleeve, 541 997 05 45, 541 997 06 45, 541 997 07 45 And 541 997 04 45 O-Rings	See Note	GS33713•	6
-------------------------------	---	----------	-----------------	---

Bearings

Connecting Rod Bearing (Pair)		460 030 07 60	CB-1970P•	6
		542 030 19 60	CB-1970P-.25MM	
Main Bearing Set		460 030 00 40	MS-2332P	1
		460 030 03 40	MS-2332P-.25MM	
		460 030 04 40	MS-2332P-.50MM	

Valve Train & Ancillary

Valve (Intake)		457 053 00 01 541 050 02 26	211-4313•	12
		460 053 00 01 541 053 01 01	211-4317•	12
Valve (Exhaust)		541 050 02 27	211-4314	12
		457 050 03 27	211-4318•	12



PART	NOTES	OE INTERCHANGE NUMBER	PART NUMBER	ORDER QTY
------	-------	-----------------------	-------------	-----------

15 (cont.)	Engine Code: 'OM 460 LA' 6 Cyl, 12.8L / 781 CID, Bore 128.0mm / 5.039", Stroke 166.0mm / 6.535"; Turbocharged, EPA 98 - Engine Models 460.900-923, 460.925, 460.929, 460.931, 460.970-971			15 (cont.)
-----------------------	---	--	--	-----------------------

Filters

Oil filter element		0001802909	OX 348D ECO	1
Fuel filter element		4570900051 5410900151	KX 80D ECO	1

Cooling and Climatization

Thermostat insert		004 203 84 75 005 203 28 75	TX 18 71D	2
		004 203 85 75 005 203 27 75	TX 18 79D	2
		004 203 83 75 005 203 26 75	TX 18 83D	2

16	Engine Code: 'OM 460 LA' 6 Cyl, 12.8L / 781 CID, Bore 128.0mm / 5.039", Stroke 166.0mm / 6.535"; Turbocharged, EPA04 - Engine Models 460.926-927, 460.932-949			16
-----------	---	--	--	-----------

Cylinder Components

Cylinder Sleeve Assembly	To S/N 813071 Piston Cooling Nozzle not Included	460 030 13 37 460 030 33 37	226-2096•	6
	From S/N 813072 Piston Cooling Nozzle not Included	460 030 34 37 460 030 35 37	226-2097•	6
Cylinder Sleeve		460 011 20 10	226-4629•	6
Cylinder Sleeve (Bare)		460 011 20 10	226-4629X•	6
Piston	To S/N 813071	460 030 08 17	224-3868•	6
	From S/N 813072	460 030 10 17 460 030 13 17	224-3869•	6
Piston cooling nozzle	Contains OE#: (1) 460 180 03 43 Nozzle and (1) 460 990 00 63 Bolt	460 180 03 43	223-4005•	6
Ring Set		460 030 01 24 460 030 03 24 460 030 04 24	S42251•	6
Sleeve O-Ring Kit	Contains OE#: (1) 460 997 01 45 D-Ring, (2) 457 997 11 45 O-Ring, (1) 457 011 02 59 / 460 011 01 59 Liner Shim	See Note	223-7225•	6

Engine Gaskets

Engine Cylinder Head Gasket Set	To S/N 866442 Single-Head Head Set, Contains Non-Grommet Style Head Gasket	457 010 82 20	HS54978•	6
	From S/N 866443 Single-Head Head Set, Contains Grommet Style Head Gasket	460 010 12 20	HS54979•	6
Engine Conversion Gasket Set	Contains OE#: 014 997 46 47 Front Crankshaft Seal (ID 105 x OD 130 x Depth 12) and 013 997 14 47 Rear Crankshaft Seal (ID 120 x OD 140 x Depth 13), Includes Wear Sleeve, Oil Pan Gasket Not Included	460 010 05 05 460 010 10 05	CS54978•	1
Engine Cylinder Head Gasket	To S/N 866442 Non-Grommet Style Head Gasket	460 016 05 20	54978•	6



PART	NOTES	OE INTERCHANGE NUMBER	PART NUMBER	ORDER QTY
------	-------	-----------------------	-------------	-----------

16 (cont.)	Engine Code: 'OM 460 LA' 6 Cyl, 12.8L / 781 CID, Bore 128.0mm / 5.039", Stroke 166.0mm / 6.535"; Turbocharged, EPA04 - Engine Models 460.926-927, 460.932-949			16 (cont.)
-----------------------	---	--	--	-----------------------

Engine Gaskets

Engine Cylinder Head Gasket	From S/N 866443 Grommet Style Head Gasket	460 016 04 20	54979•	6
Engine Cylinder Head Bolt Set	4 Per Package	457 990 02 01 457 990 05 01	GS33663	6
Engine Valve Cover Gasket		460 016 00 21 460 016 01 21	VS50712•	6
Engine Valve Stem Seal Set	Mexico Market Only, Intake And Exhaust, 100 pack	000 053 35 58	SS46054	1
	24 Per Package, Intake And Exhaust, Red Seal, Use With OE#: 541 053 27 30 / 541 053 28 30 Valve Guide	000 053 53 58 000 053 58 58	SS46074•	1
	24 Per Package, Intake And Exhaust	000 053 35 58	SS46075•	1
Engine Intake Manifold Gasket		457 098 01 80 457 142 01 80	MS19863	6
Exhaust Manifold Gasket Set		460 142 21 80	MS19913•	3
Intake and Exhaust Manifolds Combination Gasket		460 140 00 09 460 140 07 14	MS19915•	1
Engine Oil Pan Gasket Set	Beaded Paper	457 014 02 22	OS32450•	1
	Material Steel with Edge Molded Rubber	457 014 05 22	OS32451•	1
Engine Timing Cover Seal	Use with Wear Sleeve 67993 (OE# 442 031 00 27) Rubber, ID 105 x OD 130 x Depth 12	014 997 46 47	67960	1
	Wear Sleeve, ID 100 x OD 105 x Depth 24	403 031 07 27 442 031 00 27	67993•	1
	Use with Wear Sleeve 67993 (OE# 442 031 00 27) Teflon, ID 105 x OD 130 x Depth 12	See Note	67995•	1
	Teflon, ID 100 x OD 130 x Depth 11	025 997 39 47	67996•	1
	Rear Main Seal	Use with Wear Sleeve 67994 (OE# 403 032 03 09) Rubber, ID 120 x OD 140 x Depth 13	013 997 14 47	67959
	Wear Sleeve, ID 115 x OD 120 x Depth 21	403 032 03 09	67994•	1
	Use with Wear Sleeve 67994 (OE# 403 032 03 09) Teflon, ID 120 x OD 140 x Depth 13	See Note	67997•	1
	Teflon, ID 115 x OD 140 x Depth 12	025 997 50 47	67998•	1

Miscellaneous Gaskets

Fuel Injector Seal Kit	Contains OE#: 906 017 08 60 Sealing Sleeve, 541 997 05 45, 541 997 06 45, 541 997 07 45 And 541 997 04 45 O-Rings	See Note	GS33713•	6
-------------------------------	---	----------	-----------------	---

Bearings

Connecting Rod Bearing (Pair)		460 030 07 60	CB-1970P•	6
		542 030 19 60	CB-1970P-.25MM	
Main Bearing Set		460 030 00 40	MS-2332P	1
		460 030 03 40	MS-2332P-.25MM	
		460 030 04 40	MS-2332P-.50MM	



PART	NOTES	OE INTERCHANGE NUMBER	PART NUMBER	ORDER QTY
------	-------	-----------------------	-------------	-----------

16 (cont.)	Engine Code: 'OM 460 LA' 6 Cyl, 12.8L / 781 CID, Bore 128.0mm / 5.039", Stroke 166.0mm / 6.535"; Turbocharged, EPA04 - Engine Models 460.926-927, 460.932-949			16 (cont.)
-----------------------	--	--	--	-----------------------

Valve Train & Ancillary

Valve (Intake)		460 053 00 01 541 053 01 01	211-4317•	12
Valve (Exhaust)		457 050 03 27	211-4318•	12

Filters

Oil filter element		0001802909	OX 348D ECO	1
Fuel filter element		4570900051 5410900151	KX 80D ECO	1

Cooling and Climatization

Thermostat insert		004 203 84 75 005 203 28 75	TX 18 71D	2
		004 203 85 75 005 203 27 75	TX 18 79D	2
		004 203 83 75 005 203 26 75	TX 18 83D	2

17	Engine Codes: 'OM 449 A, OM 449 LA' 5 Cyl, 10.0L / 610 CID, Bore 128.0mm / 5.039", Stroke 155.0mm / 6.102"			17
-----------	---	--	--	-----------

Cylinder Components

Cylinder Sleeve		447 011 01 10 447 011 02 10	226-4607	5
Ring Set		Exclusive	S42220	5

Engine Gaskets

Engine Cylinder Head Gasket Set		444 010 01 20	HS54757	5
Engine Cylinder Head Gasket		422 016 04 20	54757	5
Engine Cylinder Head Bolt Set	Contains OE# (1) 422 990 02 01, (3) 422 990 03 01 And (2) 422 990 04 01	422 990 02 01 422 990 03 01 422 990 04 01	GS33662	5
Engine Valve Cover Gasket		442 016 07 21	VS50633	5
Engine Valve Stem Seal Set	Mexico Market Only, Intake And Exhaust, 100 pack	422 053 01 96	SS46053	1
Engine Intake Manifold Gasket		442 141 17 80	MS19860	5
Exhaust Manifold Gasket		403 142 03 80	MS19861	5
Engine Timing Cover Seal	Rubber, ID 105 x OD 130 x Depth 12	014 997 46 47	67960	1
Rear Main Seal	Rubber, ID 120 x OD 140 x Depth 13	013 997 14 47	67959	1

Bearings

Piston Pin Bushing		476 038 00 50	223-3683	5
--------------------	--	---------------	----------	---



PART	NOTES	OE INTERCHANGE NUMBER	PART NUMBER	ORDER QTY
------	-------	-----------------------	-------------	-----------

17 (cont.)	Engine Codes: 'OM 449 A, OM 449 LA' 5 Cyl, 10.0L / 610 CID, Bore 128.0mm / 5.039", Stroke 155.0mm / 6.102"	17 (cont.)
-----------------------------	---	-----------------------------

Bearings

Camshaft Bearing Set		Exclusive	SH-2132S	1
----------------------	--	-----------	----------	---

MERCEDES-BENZ CYLINDER SLEEVE ASSEMBLY COMPONENT INTERCHANGES

MAHLE

Bore	Part No.	OE Interchange Number	Qty
3.839 226-2079			
Cylinder Sleeve:	226-4609	352 011 16 10	1
Piston:	224-3836	366 030 00 17	1
Ring Set:	S42159	366 030 00 24 376 030 02 24 366 030 00 24 376 030 02 24	1 1
3.839 226-2080			
Cylinder Sleeve:	226-4609	352 011 16 10	1
Piston:	224-3837	366 030 73 17 366 037 73 01	1
Ring Set:	S42159	366 030 00 24 376 030 02 24 366 030 00 24 376 030 02 24	1 1
3.839 226-2081			
Cylinder Sleeve:	226-4609	352 011 16 10	1
Piston:	224-3839	366 030 14 18	1
Ring Set:	S42159	366 030 00 24 376 030 02 24 366 030 00 24 376 030 02 24	1 1
3.839 226-2082			
Cylinder Sleeve:	226-4609	352 011 16 10	1
Piston:	224-3838		1
Ring Set:	S42159	366 030 00 24 376 030 02 24 366 030 00 24 376 030 02 24	1 1
4.016 226-2083			
Cylinder Sleeve:	226-4606	906 011 01 10	1
Piston:	224-3841	906 030 32 17 906 030 36 17	1
Ring Set:	S42210	9060300224	1
4.016 226-2084			
Cylinder Sleeve:	226-4606	906 011 01 10	1
Piston:	224-3842	906 030 40 17 906 030 60 17	1
Ring Set:	S42210	9060300224	1
5.039 226-2085			
Cylinder Sleeve:	226-4607	447 011 01 10 447 011 02 10	1
Piston:	224-3840		1
Ring Set:	S42220		1

Bore	Part No.	OE Interchange Number	Qty
5.039 226-2095			
Cylinder Sleeve (Bare):	226-4627X	460 011 02 10	1
Sleeve O-Ring Kit:	223-7221	457 011 01 59	1
Piston:	224-3867	460 030 05 17	1
Ring Set:	S42251	460 030 01 24 460 030 03 24 460 030 04 24	1
5.039 226-2096			
Cylinder Sleeve (Bare):	226-4629X	460 011 20 10	1
Sleeve O-Ring Kit:	223-7225	457 011 02 59 457 997 05 45 460 997 01 45	1
Piston:	224-3868	460 030 08 17	1
Ring Set:	S42251	460 030 01 24 460 030 03 24 460 030 04 24	1
5.039 226-2097			
Cylinder Sleeve (Bare):	226-4629X	460 011 20 10	1
Sleeve O-Ring Kit:	223-7225	457 011 02 59 457 997 05 45 460 997 01 45	1
Piston:	224-3869	460 030 10 17 460 030 13 17	1
Ring Set:	S42251	460 030 01 24 460 030 03 24 460 030 04 24	1

VICTOR REINZ®
Sealing Products



MAHLE®
ORIGINAL

Model	No. Cyls.	Liter	CID	Bore (mm)	Bore (IN)	Stroke (mm)	Stroke (IN)	Line No.
6.0L	8	6.0	363	95.0	3.740	105.0	4.1	1
6.4L	8	6.4	390	98.2	3.867	105.0	4.1	2
7.3L IDI	8	7.3	444	104.4	4.111	106.2	4.2	5
7.3L, T444E	8	7.3	444	104.4	4.111	106.2	4.2	4
DT360	6	5.9	360	101.9	4.010	129.2	5.1	3
DT466	6	7.6	466	109.2	4.300	135.9	5.4	7
DT466E	6	7.6	466	109.2	4.300	135.9	5.4	8
DT466E	6	7.6	466	116.6	4.590	118.9	4.7	11
DT466P	6	7.6	466	109.2	4.300	135.9	5.4	6
DT530E	6	8.7	530	116.6	4.590	135.9	5.4	10
I530	6	8.7	530	116.5	4.587	135.9	5.4	9

LINE #	NOTES	PART DESCRIPTION	OVERHAUL	QTY	IN-FRAME	QTY
1	Engine Code: '6.0L' 8 Cyl, 6.0L / 363 CID, Bore 95.0mm / 3.740", Stroke 105.0mm / 4.134"; Turbocharged-Intercooled					1
1.1	03 To S/N 1610 VIN P 18:1 CR Standard Compression 18mm Cylinder Head Dowel Includes Long Cylinder Head Bolts OE Rod Bearing Number(s) 7085756C91	Kit Number	489-1025			
		Piston	224-3454	8		
		Oversizes	STD-020-030-040			
		Ring Set	S41940	8		
		Oversizes	STD-020-030-040			
		Main Bearing Set	MS-2223P	1		
		Undersizes	P-25MM-50MM-75MM			
		Connecting Rod Bearing (Pair)	CB-1814P	8		
		Undersizes	P-25MM-50MM-75MM			
		Engine Cylinder Head Gasket Set	HS54450	1		
		Engine Conversion Gasket Set	CS54450	1		
Engine Cylinder Head Bolt Set	GS33494	2				
1.2	04-10 S/N 1611-Up Standard Compression 18mm Dowel OE Rod Bearing Number(s) 7085756C91	Kit Number	489-1027			
		Piston	224-3503	8		
		Oversizes	STD-010-020-030-040			
		Ring Set	41940	1		
		Oversizes	STD-010-020-030-040			
		Connecting Rod Bearing (Pair)	CB-1814P	8		
		Undersizes	P-25MM-50MM-75MM			
		Main Bearing Set	MS-2223P	1		
		Undersizes	P-25MM-50MM-75MM			
		Engine Cylinder Head Gasket Set	HS54450	1		
		Engine Conversion Gasket Set	CS54450	1		
Engine Cylinder Head Bolt Set	GS33494	2				

LINE #	NOTES	PART DESCRIPTION	OVERHAUL	QTY	IN-FRAME	QTY
1	Engine Code: '6.0L' 8 Cyl, 6.0L / 363 CID, Bore 95.0mm / 3.740", Stroke 105.0mm / 4.134"; Turbocharged-Intercooled					1
1.3	04-10 S/N 1611-Up Standard Compression 20mm Dowel OE Rod Bearing Number(s) 7085756C91	Kit Number	489-1028			
		Piston	224-3503	8		
		Oversizes	STD-010-020-030-040			
		Ring Set	41940	1		
		Oversizes	STD-010-020-030-040			
		Main Bearing Set	MS-2223P	1		
		Undersizes	P-25MM-50MM-75MM			
		Connecting Rod Bearing (Pair)	CB-1814P	8		
		Undersizes	P-25MM-50MM-75MM			
		Engine Cylinder Head Gasket Set	HS54579	1		
Engine Conversion Gasket Set	CS54450	1				
Engine Cylinder Head Bolt Set	GS33494	2				
1.4	2004-2007 Ford F250, F350, F450, F550 & 2004-2010 E250, E350, E450 (20MM Head Dowel) OE Rod Bearing Number(s) 7085756C91	Kit Number	789-1008			
		Piston	224-3503	8		
		Oversizes	STD-010-020-030-040			
		Ring Set	41940	1		
		Oversizes	STD-010-020-030-040			
		Connecting Rod Bearing (Pair)	CB-1814P	8		
		Undersizes	P-25MM-50MM-75MM			
		Main Bearing Set	MS-2223P	1		
		Undersizes	P-25MM-50MM-75MM			
		Engine Cylinder Head Gasket Set	HS54579	1		
Engine Conversion Gasket Set	CS54450	1				

LINE #	NOTES	PART DESCRIPTION	OVERHAUL	QTY	IN-FRAME	QTY
1	Engine Code: '6.0L' 8 Cyl, 6.0L / 363 CID, Bore 95.0mm / 3.740", Stroke 105.0mm / 4.134"; Turbocharged-Intercooled					1
1.5	2004-2007 Ford F250, F350, F450, F550 & 2004-2010 E250, E350, E450 6.0L (18MM Head Dowel) OE Rod Bearing Number(s) 7085756C91	Kit Number	789-1009			
		Piston	224-3503	8		
		Oversizes	STD-010-020-030-040			
		Ring Set	41940	1		
		Oversizes	STD-010-020-030-040			
		Connecting Rod Bearing (Pair)	CB-1814P	8		
		Undersizes	P-25MM-50MM-75MM			
		Main Bearing Set	MS-2223P	1		
		Undersizes	P-25MM-50MM-75MM			
		Engine Cylinder Head Gasket Set	HS54450	1		
Engine Conversion Gasket Set	CS54450	1				
1.6	2003-2004 Ford F250, F350, F450, F550 (18MM Head Dowel) OE Rod Bearing Number(s) 7085756C91	Kit Number	789-1010			
		Piston	224-3454	8		
		Oversizes	STD-020-030-040			
		Ring Set	41940	1		
		Oversizes	STD-020-030-040			
		Connecting Rod Bearing (Pair)	CB-1814P	8		
		Undersizes	P-25MM-50MM-75MM			
		Main Bearing Set	MS-2223P	1		
		Undersizes	P-25MM-50MM-75MM			
		Engine Cylinder Head Gasket Set	HS54450	1		
Engine Conversion Gasket Set	CS54450	1				

LINE #	NOTES	PART DESCRIPTION	OVERHAUL	QTY	IN-FRAME	QTY
2	Engine Code: '6.4L' 8 Cyl, 6.4L / 390 CID, Bore 98.2mm / 3.867", Stroke 105.0mm / 4.134"; Turbocharged, Powerstroke					2
2.1	2008-2010 Ford F250, F350, F450, F550 Vin: R Includes Long Cylinder Head Bolts Includes Short Cylinder Head Bolts OE Main Bearing Number(s) 1843028C93 OE Rod Bearing Number(s) 1873171C91	Kit Number	489-1033			
		Piston	224-3666	8		
		Oversizes	STD-025MM-050MM- 075MM			
		Ring Set	42097	1		
		Oversizes	STD-010-020-030			
		Main Bearing Set	MS-2269P	1		
		Undersizes	P-25MM-50MM-75MM			
		Connecting Rod Bearing (Pair)	CB-1869P	8		
		Undersizes	P-25MM-50MM-75MM			
		Camshaft Bearing Set	SH-1996S	1		
		Engine Cylinder Head Gasket Set	HS54657	1		
		Engine Conversion Gasket Set	CS54657	1		
		Engine Cylinder Head Bolt Set	GS33519	2		
Engine Cylinder Head Bolt Set	GS33495	2				
2.2	2008-2010 Ford F250, F350, F450, F550 Vin: R OE Main Bearing Number(s) 1843028C93 OE Rod Bearing Number(s) 1873171C91	Kit Number	789-1007			
		Piston	224-3666	8		
		Oversizes	STD-025MM-050MM- 075MM			
		Ring Set	42097	1		
		Oversizes	STD-010-020-030			
		Connecting Rod Bearing (Pair)	CB-1869P	8		
		Undersizes	P-25MM-50MM-75MM			
		Main Bearing Set	MS-2269P	1		
		Undersizes	P-25MM-50MM-75MM			
		Camshaft Bearing Set	SH-1996S	1		
		Engine Cylinder Head Gasket Set	HS54657	1		
		Engine Conversion Gasket Set	CS54657	1		

LINE #	NOTES	PART DESCRIPTION	OVERHAUL	QTY	IN-FRAME	QTY
3	Engine Code: 'DT360' 6 Cyl, 5.9L / 360 CID, Bore 101.9mm / 4.010", Stroke 129.2mm / 5.085"; Turbocharged					3
3.1	To S/N 39374 OE Main Bearing Number(s) 1823859C91 OE Rod Bearing Number(s) 1823863C91	Kit Number	489-1010		489-5010	
		Cylinder Sleeve Assembly	226-1830	6	226-1830	6
		Main Bearing Set	MS-1342P	1	MS-1342P	1
		Undersizes	P-10-20		P-10-20	
		Connecting Rod Bearing (Pair)	CB-1394P	6	CB-1394P	6
		Undersizes	P-10-20-30		P-10-20-30	
		Engine Cylinder Head Gasket Set	HS54253	1	HS54253	1
		Engine Conversion Gasket Set / Engine Oil Pan Gasket Set	CS3872	1	OS32197	1
3.2	S/N 39375-Up OE Main Bearing Number(s) 1823859C91 OE Rod Bearing Number(s) 1823863C91	Kit Number	489-1020		489-5020	
		Cylinder Sleeve Assembly	226-1966	6	226-1966	6
		Main Bearing Set	MS-1342P	1	MS-1342P	1
		Undersizes	P-10-20		P-10-20	
		Connecting Rod Bearing (Pair)	CB-1394P	6	CB-1394P	6
		Undersizes	P-10-20-30		P-10-20-30	
		Engine Cylinder Head Gasket Set	HS54253	1	HS54253	1
		Engine Conversion Gasket Set / Engine Oil Pan Gasket Set	CS3872	1	OS32197	1
3.3	S/N 39375-Up, With Boron Sleeve OE Main Bearing Number(s) 1823859C91 OE Rod Bearing Number(s) 1823863C91	Kit Number	489-1024		489-5024	
		Cylinder Sleeve Assembly	226-2071	6	226-2071	6
		Main Bearing Set	MS-1342P	1	MS-1342P	1
		Undersizes	P-10-20		P-10-20	
		Connecting Rod Bearing (Pair)	CB-1394P	6	CB-1394P	6
		Undersizes	P-10-20-30		P-10-20-30	
		Engine Cylinder Head Gasket Set	HS54253	1	HS54253	1
		Engine Conversion Gasket Set / Engine Oil Pan Gasket Set	CS3872	1	OS32197	1

LINE #	NOTES	PART DESCRIPTION	OVERHAUL	QTY	IN-FRAME	QTY
4	Engine Code: '7.3L, T444E'					4
		8 Cyl, 7.3L / 444 CID, Bore 104.4mm / 4.111", Stroke 106.2mm / 4.181"; Turbocharged, Direct Injection				
4.1	Kit Includes Front And Rear Seals Kit Does Not Include Valve Cover Gasket OE Main Bearing Number(s) 1812321C91 OE Rod Bearing Number(s) 1812301C1	Kit Number			489-5014	
		Piston			224-3163	8
		Oversizes			STD-020-030-040	
		Ring Set			41768	1
		Oversizes			STD-020-030-040	
		Connecting Rod Bearing (Pair)			CB-1633P	8
		Undersizes			P-10-20-30	
		Main Bearing Set			MS-2034P	1
		Undersizes			P-10-20-30	
		Engine Cylinder Head Gasket Set			HS54204A	1
		Engine Conversion Gasket Set			CS54204A	1

5	Engine Code: '7.3L IDI'					5
		8 Cyl, 7.3L / 444 CID, Bore 104.4mm / 4.111", Stroke 106.2mm / 4.181"; Indirect Injection				
5.1	.010" Reduced Compression Height Version OE Rod Bearing Number(s) 1802200C3 OE Main Bearing Number(s); 1802220C92	Kit Number			489-5007	
		Piston			224-2908	8
		Oversizes			STD-020-030-040	
		Ring Set			41548	1
		Oversizes			STD-020-030-040	
		Main Bearing Set			MS-1596P	1
		Undersizes			P-10-20-30	
		Connecting Rod Bearing (Pair)			CB-1327P	8
		Undersizes			P-10-20-30	
		Engine Cylinder Head Gasket Set			HS5869	1
		Engine Oil Pan Gasket Set			OS32053	1

LINE #	NOTES	PART DESCRIPTION	OVERHAUL	QTY	IN-FRAME	QTY
6	Engine Code: 'DT466P' 6 Cyl, 7.6L / 466 CID, Bore 109.2mm / 4.300", Stroke 135.9mm / 5.350"; Turbocharged-Intercooled , S/N Prefix 469G					6
6.1	To S/N 888340, All Torques & Horsepowers OE Main Bearing Number(s) 1822321C91, 1822379C91 OE Rod Bearing Number(s) 1822389C91	Kit Number			489-5018	
		Cylinder Sleeve Assembly			226-1960	6
		Main Bearing Set			MS-2096P	1
		Undersizes			P-10-20	
		Connecting Rod Bearing (Pair)			CB-1659P	6
		Undersizes			P-10-20	
		Engine Cylinder Head Gasket Set			HS54511	1
		Engine Oil Pan Gasket Set			OS32226	1
6.2	S/N 888341 To 933833 175, 190, 210, 230 Standard Torque, 195, 210 High Torque OE Main Bearing Number(s) 1822321C91, 1822379C91 OE Rod Bearing Number(s) 1822389C91	Kit Number			489-5019	
		Cylinder Sleeve Assembly			226-1964	6
		Main Bearing Set			MS-2096P	1
		Undersizes			P-10-20	
		Connecting Rod Bearing (Pair)			CB-1659P	6
		Undersizes			P-10-20	
		Engine Cylinder Head Gasket Set			HS54511	1
		Engine Oil Pan Gasket Set			OS32226	1
6.3	From S/N 888341-Up 230, 250 High Torque OE Main Bearing Number(s) 1822321C91, 1822379C91 OE Rod Bearing Number(s) 1822389C91	Kit Number		489-1022		489-5022
		Cylinder Sleeve Assembly	226-2004	6	226-2004	6
		Main Bearing Set	MS-2096P	1	MS-2096P	1
		Undersizes	P-10-20		P-10-20	
		Connecting Rod Bearing (Pair)	CB-1659P	6	CB-1659P	6
		Undersizes	P-10-20		P-10-20	
		Engine Cylinder Head Gasket Set / In-frame Overhaul Set	HS54511	1	EK3528	1
		Engine Conversion Gasket Set	CS54511	1		
		Engine Timing Cover Gasket Set	SS47537	1		
Rear Main Seal	67815	1				

LINE #	NOTES	PART DESCRIPTION	OVERHAUL	QTY	IN-FRAME	QTY
7	Engine Code: 'DT466' 6 Cyl, 7.6L / 466 CID, Bore 109.2mm / 4.300", Stroke 135.9mm / 5.350"; Model A, B, C, S/N Prefixes 466, 467, 468					7
7.1	3 Ring To S/N 74999 Narrow Gap Ring OE Main Bearing Number(s) 1823847C91 OE Rod Bearing Number(s) 681314C2	Kit Number	489-1000	489-5000		
		Cylinder Sleeve Assembly	226-1585	6	226-1585	6
		Main Bearing Set	MS-1343P	1	MS-1343P	1
		Undersizes	P-10-20-30		P-10-20-30	
		Connecting Rod Bearing (Pair)	CB-675P	6	CB-675P	6
		Undersizes	P-10-20-30-40		P-10-20-30-40	
		Engine Cylinder Head Gasket Set / In-frame Overhaul Set	HS3872	1	EK3515VR	1
		Engine Conversion Gasket Set	CS3872	1		
		Rear Main Seal Set	SS47866	1		
7.2	3 Ring S/N 75000 to 439618 1.200" (Narrow) Rod Bearing OE Main Bearing Number(s) 1823847C91 OE Rod Bearing Number(s) 681314C2	Kit Number	489-1001	489-5001		
		Cylinder Sleeve Assembly	226-1919	6	226-1919	6
		Main Bearing Set	MS-1343P	1	MS-1343P	1
		Undersizes	P-10-20-30		P-10-20-30	
		Connecting Rod Bearing (Pair)	CB-675P	6	CB-675P	6
		Undersizes	P-10-20-30-40		P-10-20-30-40	
		Engine Cylinder Head Gasket Set / In-frame Overhaul Set	HS3872	1	EK3515VR	1
		Engine Conversion Gasket Set	CS3872	1		
		Rear Main Seal Set	SS47866	1		
7.3	4 Ring S/N 75000 to 439618 1.200" (Narrow) Rod Bearing OE Main Bearing Number(s) 1823847C91 OE Rod Bearing Number(s) 681314C2	Kit Number	489-1003	489-5003		
		Cylinder Sleeve Assembly	226-1944	6	226-1944	6
		Main Bearing Set	MS-1343P	1	MS-1343P	1
		Undersizes	P-10-20-30		P-10-20-30	
		Connecting Rod Bearing (Pair)	CB-675P	6	CB-675P	6
		Undersizes	P-10-20-30		P-10-20-30	
		Engine Cylinder Head Gasket Set / In-frame Overhaul Set	HS3872	1	EK3515VR	1
		Engine Conversion Gasket Set	CS3872	1		
		Rear Main Seal Set	SS47866	1		

LINE #	NOTES	PART DESCRIPTION	OVERHAUL	QTY	IN-FRAME	QTY
7	Engine Code: 'DT466' 6 Cyl, 7.6L / 466 CID, Bore 109.2mm / 4.300", Stroke 135.9mm / 5.350"; Model A, B, C, S/N Prefixes 466, 467, 468					7
7.4	3 Ring S/N 439619 to New Generation 1.260" (Wide) Rod Bearing OE Main Bearing Number(s) 1823843C91 OE Rod Bearing Number(s) 1808059C92	Kit Number	489-1004		489-5004	
		Cylinder Sleeve Assembly	226-1919	6	226-1919	6
		Main Bearing Set	MS-1642P	1	MS-1642P	1
		Undersizes	P-10-20-30		P-10-20-30	
		Connecting Rod Bearing (Pair)	CB-1365P	6	CB-1365P	6
		Undersizes	P-10-20-30		P-10-20-30	
		Engine Cylinder Head Gasket Set / In-frame Overhaul Set	HS3872	1	EK3515VR	1
		Engine Conversion Gasket Set	CS3872	1		
		Rear Main Seal Set	SS47866	1		
7.5	4 Ring S/N 439619 to New Generation 1.260" (Wide) Rod Bearing OE Main Bearing Number(s) 1823843C91 OE Rod Bearing Number(s) 1808059C92	Kit Number	489-1011		489-5011	
		Cylinder Sleeve Assembly	226-1944	6	226-1944	6
		Main Bearing Set	MS-1642P	1	MS-1642P	1
		Undersizes	P-10-20-30		P-10-20-30	
		Connecting Rod Bearing (Pair)	CB-1365P	6	CB-1365P	6
		Undersizes	P-10-20-30		P-10-20-30	
		Engine Cylinder Head Gasket Set / In-frame Overhaul Set	HS3872	1	EK3515VR	1
		Engine Conversion Gasket Set	CS3872	1		
		Rear Main Seal Set	SS47866	1		

8	Engine Code: 'DT466E' 6 Cyl, 7.6L / 466 CID, Bore 109.2mm / 4.300", Stroke 135.9mm / 5.350"; Turbocharged-Intercooled , S/N Prefix 469H					8
8.1	From S/N 980820-1194038 175, 190, 210 Standard Torque OE Main Bearing Number(s) 1822321C91, 1822379C91 OE Rod Bearing Number(s) 1822389C91	Kit Number			489-5016	
		Cylinder Sleeve Assembly			226-1963	6
		Main Bearing Set			MS-2096P	1
		Undersizes			P-10-20	
		Connecting Rod Bearing (Pair)			CB-1659P	6
		Undersizes			P-10-20	
		Engine Cylinder Head Gasket Set			HS54189	1
		Engine Oil Pan Gasket Set			OS32226	1

LINE #	NOTES	PART DESCRIPTION	OVERHAUL	QTY	IN-FRAME	QTY
8	Engine Code: 'DT466E' 6 Cyl, 7.6L / 466 CID, Bore 109.2mm / 4.300", Stroke 135.9mm / 5.350"; Turbocharged-Intercooled , S/N Prefix 469H					8
8.2	From S/N 933834-1126948 230 Standard Torque 210, 230, 250 High Torque OE Main Bearing Number(s) 1822321C91, 1822379C91 OE Rod Bearing Number(s) 1822389C91	Kit Number			489-5017	
		Cylinder Sleeve Assembly			226-1962	6
		Main Bearing Set			MS-2096P	1
		Undersizes			P-10-20	
		Connecting Rod Bearing (Pair)			CB-1659P	6
		Undersizes			P-10-20	
		Engine Cylinder Head Gasket Set			HS54189	1
		Engine Oil Pan Gasket Set			OS32226	1
8.3	From S/N 1126949- 1194038 230, 250 High Torque OE Main Bearing Number(s) 1822321C91, 1822379C91 OE Rod Bearing Number(s) 1822389C91	Kit Number	489-1023		489-5023	
		Cylinder Sleeve Assembly	226-2005	6	226-2005	6
		Main Bearing Set	MS-2096P	1	MS-2096P	1
		Undersizes	P-10-20		P-10-20	
		Connecting Rod Bearing (Pair)	CB-1659P	6	CB-1659P	6
		Undersizes	P-10-20		P-10-20	
		Engine Cylinder Head Gasket Set / In-frame Overhaul Set	HS54189	1	EK3527	1
		Engine Conversion Gasket Set	CS54511	1		
		Engine Timing Cover Gasket Set	SS47537	1		
Rear Main Seal	67815	1				

9	Engine Code: 'I530' 6 Cyl, 8.7L / 530 CID, Bore 116.5mm / 4.587", Stroke 135.9mm / 5.350"; Turbocharged, 530G S/N Prefix, PLN Fuel System					9
9.1	S/N 981120-1194038, All Below 300 Horsepower OE Main Bearing Number(s) 1822321C91, 1822379C91 OE Rod Bearing Number(s) 1822389C91	Kit Number	489-1032		489-5032	
		Cylinder Sleeve Assembly	226-2068	6	226-2068	6
		Main Bearing Set	MS-2096P	1	MS-2096P	1
		Undersizes	P-10-20		P-10-20	
		Connecting Rod Bearing (Pair)	CB-1659P	6	CB-1659P	6
		Undersizes	P-10-20		P-10-20	
		Engine Cylinder Head Gasket Set / In-frame Overhaul Set	HS54189	1	EK3527	1
		Engine Conversion Gasket Set	CS54511	1		
		Engine Timing Cover Gasket Set	SS47537	1		
Rear Main Seal	67815	1				

LINE #	NOTES	PART DESCRIPTION	OVERHAUL	QTY	IN-FRAME	QTY
10	Engine Code: 'DT530E' 6 Cyl, 8.7L / 530 CID, Bore 116.6mm / 4.590", Stroke 135.9mm / 5.350"; Turbocharged, S/N Prefixes 530H and 531H to 2000000, HEUI Fuel System					10
10.1	S/N Prefix 531H S/N 1194039 to 2000000, All Below 275 Horsepower OE Main Bearing Number(s) 1830725C91, 1830726C91 OE Rod Bearing Number(s) 1842570C92	Kit Number	489-1031		489-5031	
		Cylinder Sleeve Assembly	226-2067	6	226-2067	6
		Main Bearing Set	MS-2252P	1	MS-2252P	1
		Undersizes	P-10-20		P-10-20	
		Connecting Rod Bearing (Pair)	CB-1847P	6	CB-1847P	6
		Undersizes	P-10-20		P-10-20	
		Engine Cylinder Head Gasket Set / In-frame Overhaul Set	HS54189	1	EK3527	1
		Engine Conversion Gasket Set	CS54511	1		
		Engine Timing Cover Gasket Set	SS47537	1		
		Rear Main Seal	67815	1		
10.2	S/N 981120-1194038, All Below 300 Horsepower OE Main Bearing Number(s) 1822321C91, 1822379C91 OE Rod Bearing Number(s) 1822389C91	Kit Number	489-1032		489-5032	
		Cylinder Sleeve Assembly	226-2068	6	226-2068	6
		Main Bearing Set	MS-2096P	1	MS-2096P	1
		Undersizes	P-10-20		P-10-20	
		Connecting Rod Bearing (Pair)	CB-1659P	6	CB-1659P	6
		Undersizes	P-10-20		P-10-20	
		Engine Cylinder Head Gasket Set / In-frame Overhaul Set	HS54189	1	EK3527	1
		Engine Conversion Gasket Set	CS54511	1		
		Engine Timing Cover Gasket Set	SS47537	1		
		Rear Main Seal	67815	1		
11	Engine Code: 'DT466E' 6 Cyl, 7.6L / 466 CID, Bore 116.6mm / 4.590", Stroke 118.9mm / 4.680"; Turbocharged, S/N Prefix 470 1194039 - 2000000					11
11.1	S/N 1194039 To 2,000,000, 230, 250 Standard Torque, 230, 250 High Torque OE Main Bearing Number(s) 1830725C91, 1830726C91 OE Rod Bearing Number(s) 1842570C92	Kit Number	489-1029		489-5029	
		Cylinder Sleeve Assembly	226-2065	6	226-2065	6
		Main Bearing Set	MS-2252P	1	MS-2252P	1
		Undersizes	P-10-20		P-10-20	
		Connecting Rod Bearing (Pair)	CB-1847P	6	CB-1847P	6
		Undersizes	P-10-20		P-10-20	
		Engine Cylinder Head Gasket Set / In-frame Overhaul Set	HS54189	1	EK3527	1
		Engine Conversion Gasket Set	CS54511	1		
		Engine Timing Cover Gasket Set	SS47537	1		
		Rear Main Seal	67815	1		

LINE #	NOTES	PART DESCRIPTION	OVERHAUL	QTY	IN-FRAME	QTY
11	Engine Code: 'DT466E' 6 Cyl, 7.6L / 466 CID, Bore 116.6mm / 4.590", Stroke 118.9mm / 4.680"; Turbocharged, S/N Prefix 470 1194039 - 2000000					11
11.2	S/N 1194039 to 2,000,000, 195, 215 Standard Torque, 195, 215 High Torque OE Main Bearing Number(s) 1830725C91, 1830726C91 OE Rod Bearing Number(s) 1842570C92	Kit Number	489-1030		489-5030	
		Cylinder Sleeve Assembly	226-2066	6	226-2066	6
		Main Bearing Set	MS-2252P	1	MS-2252P	1
		Undersizes	P-10-20		P-10-20	
		Connecting Rod Bearing (Pair)	CB-1847P	6	CB-1847P	6
		Undersizes	P-10-20		P-10-20	
		Engine Cylinder Head Gasket Set / In-frame Overhaul Set	HS54189	1	EK3527	1
		Engine Conversion Gasket Set	CS54511	1		
		Engine Timing Cover Gasket Set	SS47537	1		
Rear Main Seal	67815	1				

Model	No. Cyls.	Liter	CID	Bore (mm)	Bore (IN)	Stroke (mm)	Stroke (IN)	Line No.	Model	No. Cyls.	Liter	CID	Bore (mm)	Bore (IN)	Stroke (mm)	Stroke (IN)	Line No.
9.0L	8	9.0	550	114.6	4.510	109.6	4.3	50	GRD233	6	3.8	233	84.2	3.313	114.3	4.5	3
4-196	4	3.2	196	104.8	4.125	92.9	3.7	26	HD232	6	3.8	233	84.2	3.313	114.3	4.5	3
6.0L	8	6.0	363	95.0	3.740	105.0	4.1	9	I530	6	8.7	530	116.5	4.587	135.9	5.4	52
6.4L	8	6.4	390	98.2	3.867	105.0	4.1	13	MV404	8	6.6	404	104.8	4.125	95.3	3.8	30
6.9L	8	6.9	420	101.6	4.000	106.2	4.2	18	Maxxforce 10	6	9.3	570	117.0	4.606	146.0	5.7	57
7.3L IDI	8	7.3	444	104.4	4.111	106.2	4.2	21	Maxxforce 5	6	4.5	275	95.0	3.740	105.0	4.1	10
7.3L IDI Turbo	8	7.3	444	104.4	4.111	106.2	4.2	20	Maxxforce 7	8	6.4	390	98.2	3.867	105.0	4.1	12
7.3L, T444E	8	7.3	444	104.4	4.111	106.2	4.2	22	Maxxforce 9	6	9.3	570	116.6	4.590	146.1	5.8	55
B152	4	2.5	152	98.4	3.875	81.8	3.2	14	RD372	6	6.1	372	111.1	4.375	104.8	4.1	42
BD220	6	3.6	220	90.5	3.563	93.7	3.7	5	RD406	6	6.7	406	111.1	4.375	114.3	4.5	40
BD240	6	3.9	240	90.5	3.563	102.0	4.0	6	RD450	6	7.4	451	111.1	4.375	127.0	5.0	39
BD264	6	4.3	264	93.7	3.688	104.8	4.1	8	RED318	6	5.2	318	98.4	3.875	114.3	4.5	16
BD308	6	5.0	308	96.9	3.813	114.3	4.5	11	RED361	6	5.9	361	104.8	4.125	114.3	4.5	23
BG220	6	3.6	220	90.5	3.563	93.7	3.7	5	RED401	6	6.6	401	104.8	4.125	127.0	5.0	31
BG241	6	3.9	241	90.5	3.563	102.1	4.0	6	RED450	6	7.4	450	111.1	4.375	127.0	5.0	41
BG265	6	4.3	265	93.7	3.688	104.8	4.1	8	S220	6	3.6	220	90.5	3.563	93.7	3.7	5
BLD269A	6	4.4	269	90.5	3.563	114.3	4.5	4	SD220	6	3.6	220	90.5	3.563	93.7	3.7	5
D150	8	7.6	461	104.8	4.125	109.6	4.3	44	SD240	6	3.9	240	90.5	3.563	102.0	4.0	6
D170	8	9.0	549	114.3	4.500	109.6	4.3	44	UV461	8	7.5	461	104.8	4.125	109.6	4.3	33
D190	8	9.0	549	114.3	4.500	109.6	4.3	44	V266	8	4.3	266	92.1	3.625	81.8	3.2	7
DT360	6	5.9	360	101.9	4.010	129.2	5.1	19	V304	8	5.0	304	98.4	3.875	81.8	3.2	17
DT408	6	6.7	408	109.2	4.300	118.9	4.7	35	V345	8	5.6	345	98.4	3.875	93.0	3.7	15
DT466	6	7.6	466	109.2	4.300	135.9	5.4	36	V392	8	6.4	392	104.8	4.125	93.1	3.7	25
DT466E	6	7.6	466	109.2	4.300	135.9	5.4	38	V400	8	6.6	400	105.8	4.165	92.9	3.7	34
DT466E	6	7.6	466	116.6	4.590	118.9	4.7	56	V401	8	6.6	401	104.8	4.125	95.3	3.8	29
DT466P	6	7.6	466	109.2	4.300	135.9	5.4	37	V478	8	7.8	478	114.3	4.500	95.3	3.8	48
DT530E	6	8.7	530	116.6	4.590	135.9	5.4	54	V537	8	8.8	537	117.5	4.625	101.6	4.0	59
DT570, HT570	6	9.3	570	116.5	4.587	146.1	5.8	53	V605	8	9.9	605	117.5	4.625	114.3	4.5	58
DV462B	8	7.6	461	104.8	4.125	109.6	4.3	27	VS401	8	6.6	401	104.8	4.125	95.3	3.8	29
DV550	8	9.0	549	114.6	4.512	109.6	4.3	51	VS461	8	7.6	461	104.8	4.125	109.5	4.3	28
DV550B	8	9.0	549	114.6	4.512	109.6	4.3	51	VS478	8	7.8	478	114.3	4.500	95.3	3.8	47
DV800	8	13.1	798	135.0	5.313	114.3	4.5	60	VS549	8	9.0	549	114.3	4.500	109.6	4.3	45
DVT573	8	9.4	573	114.3	4.500	114.3	4.5	49									
DVT800	8	13.1	798	135.0	5.313	114.3	4.5	60									
FAC269	6	4.4	269	90.5	3.563	114.3	4.5	4									
FBB401	6	6.6	401	104.8	4.125	127.0	5.0	32									
FBB450	6	7.4	450	111.1	4.375	126.7	5.0	43									
FBC318	6	5.2	318	98.4	3.875	114.3	4.5	16									
FBC361	6	5.9	361	104.8	4.125	114.3	4.5	24									
FTV549	8	9.0	549	114.3	4.500	109.6	4.3	46									
FTVS549	8	9.0	549	114.3	4.500	109.6	4.3	46									
GRD175	6	2.9	175	76.2	3.000	104.8	4.1	1									
GRD214	6	3.5	214	84.1	3.313	104.8	4.1	2									

PART	NOTES	OE INTERCHANGE NUMBER	PART NUMBER	ORDER QTY
------	-------	-----------------------	-------------	-----------

1	Engine Code: 'GRD175' 6 Cyl, 2.9L / 175 CID, Bore 76.2mm / 3.000", Stroke 104.8mm / 4.125"; Includes A Model			1
----------	--	--	--	----------

Miscellaneous Gaskets

Fuel Pump Gasket		59089D	D34545	1
Engine Coolant Outlet Gasket	Material Paper	41991H	C24672	1

Bearings

Camshaft Bearing Set		Exclusive	SH-69S	1
----------------------	--	-----------	--------	---

2	Engine Code: 'GRD214' 6 Cyl, 3.5L / 214 CID, Bore 84.1mm / 3.313", Stroke 104.8mm / 4.125"; Includes A Model			2
----------	--	--	--	----------

Engine Gaskets

Engine Valve Stem Seal Set	Intake And Exhaust, 8 Per Package, Cost is Per Each Seal	111024R1	B45229	8
----------------------------	--	----------	--------	---

Bearings

Camshaft Bearing Set		Exclusive	SH-69S	1
----------------------	--	-----------	--------	---

3	Engine Codes: 'GRD233, HD232' 6 Cyl, 3.8L / 233 CID, Bore 84.2mm / 3.313", Stroke 114.3mm / 4.500"			3
----------	--	--	--	----------

Miscellaneous Gaskets

Engine Coolant Outlet Gasket	Material Paper	41991H	C24672	1
------------------------------	----------------	--------	--------	---

Bearings

Camshaft Bearing Set		Exclusive	SH-69S	1
----------------------	--	-----------	--------	---

Valve Train & Ancillary

Valve Seat Insert	Intake, 1.8175" OD, 1.500" ID, 0.250" Depth, 45° Seat	See Note	218-7623•	6
-------------------	---	----------	-----------	---

4	Engine Codes: 'BLD269A, FAC269' 6 Cyl, 4.4L / 269 CID, Bore 90.5mm / 3.563", Stroke 114.3mm / 4.500"			4
----------	--	--	--	----------

Cylinder Components

Ring Set	4 Ring, Gasoline, LPG	Exclusive	S5529•	6
----------	-----------------------	-----------	--------	---

5	Engine Codes: 'BD220, BG220, S220, SD220' 6 Cyl, 3.6L / 220 CID, Bore 90.5mm / 3.563", Stroke 93.7mm / 3.688"			5
----------	---	--	--	----------

Cylinder Components

Ring Set	4 Ring, Gasoline, LPG	Exclusive	S5529•	6
----------	-----------------------	-----------	--------	---

Engine Gaskets

Engine Cylinder Head Gasket	Material VR2000	164418R3	3153	1
-----------------------------	-----------------	----------	------	---



PART	NOTES	OE INTERCHANGE NUMBER	PART NUMBER	ORDER QTY
------	-------	-----------------------	-------------	-----------

5 (cont.)	Engine Codes: 'BD220, BG220, S220, SD220' 6 Cyl, 3.6L / 220 CID, Bore 90.5mm / 3.563", Stroke 93.7mm / 3.688"			5 (cont.)
----------------------------	--	--	--	----------------------------

Engine Gaskets

Engine Valve Cover Gasket Set		164421R1	VS39723	1
Engine Push Rod Cover Gasket Set		369982R1	PS39682	1
Engine Valve Stem Seal Set	Intake And Exhaust, 8 Per Package, Cost is Per Each Seal	111024R1	B45229	8
Intake and Exhaust Manifolds Combination Gasket		173192R1	MS16022	1
Engine Oil Pan Gasket Set		369984R1	OS31569	1

Miscellaneous Gaskets

Fuel Pump Gasket	Material Paper	Exclusive	D27094	1
Engine Coolant Outlet Gasket	Material Paper	Exclusive	C25487*	1

Bearings

Piston Pin Bushing	Requires Reaming, 0.875" Pin Bore	70012R1	223-3469	6
Camshaft Bearing Set		130476R94	SH-220S	1

Valve Train & Ancillary

Valve Guide		237248R1	217-3747	12
Valve Seat Insert (Intake)	1.755" OD, 1.250" ID, 0.2188" Depth, 45° Seat	See Note	218-7619	6
Valve Seat Insert (Exhaust)	1.567" OD, 1.3125" ID, 0.2188" Depth, 45° Seat	See Note	218-7493	6
Oil Pump		230421R91	601-1087	1

6	Engine Codes: 'BD240, BG241, SD240' 6 Cyl, 3.9L / 240 CID, Bore 90.5mm / 3.563", Stroke 102.0mm / 4.016"; Gasoline, LPG			6
----------	--	--	--	----------

Cylinder Components

Ring Set	4 Ring, Gasoline, LPG	Exclusive	S5529*	6
----------	-----------------------	-----------	--------	---

Engine Gaskets

Engine Cylinder Head Gasket Set		372770R92	HS3153W	1
Engine Conversion Gasket Set		70121R94	CS3153	1
Engine Cylinder Head Gasket	Material VR2000	164418R3	3153	1
Engine Valve Cover Gasket Set		164421R1	VS39723	1
Engine Push Rod Cover Gasket Set		369982R1	PS39682	1



* For our latest product offerings go to <http://catalog.mahle-aftermarket.com/us/>

PART	NOTES	OE INTERCHANGE NUMBER	PART NUMBER	ORDER QTY
------	-------	-----------------------	-------------	-----------

6 (cont.)	Engine Codes: 'BD240, BG241, SD240' 6 Cyl, 3.9L / 240 CID, Bore 90.5mm / 3.563", Stroke 102.0mm / 4.016"; Gasoline, LPG	6 (cont.)		
----------------------------	--	----------------------------	--	--

Engine Gaskets

Engine Valve Stem Seal Set	Intake And Exhaust, 8 Per Package, Cost is Per Each Seal	111024R1	B45229	8
		866834R1	B45356	1
Intake and Exhaust Manifolds Combination Gasket		173192R1	MS16022	1
Engine Oil Pan Gasket Set		369984R1	OS31569	1

Miscellaneous Gaskets

Fuel Pump Gasket	Material Paper	Exclusive	D27094	1
Engine Coolant Outlet Gasket	Material Paper	Exclusive	C25487•	1

Bearings

Piston Pin Bushing	Requires Reaming, 0.875" Pin Bore	70012R1	223-3469	6
Camshaft Bearing Set		130476R94	SH-220S	1

Valve Train & Ancillary

Valve Guide		237248R1	217-3747	12
Valve Seat Insert	1.567" OD, 1.3125" ID, 0.2188" Depth, 45° Seat	See Note	218-7493	6
	1.755" OD, 1.250" ID, 0.2188" Depth, 45° Seat	See Note	218-7619	1
Oil Pump		230421R91	601-1087	1

7	Engine Code: 'V266' 8 Cyl, 4.3L / 266 CID, Bore 92.1mm / 3.625", Stroke 81.8mm / 3.219"	7		
----------	--	----------	--	--

Cylinder Components

Ring Set	Shallow Groove	151861R92	40222	1
		151863R92	40222.020	
		151864R92	40222.030	

Engine Gaskets

Engine Valve Cover Gasket Set	Material Cork-Rubber	151193R4	VS38410	1
Engine Valve Stem Seal Set	Intake And Exhaust, 8 Per Package, Cost is Per Each Seal	111024R1	B45229	16
Engine Oil Pan Gasket Set	Material Cork-Rubber	151067R3	OS30765	1
Engine Timing Cover Gasket Set	Contains Sleeve, Material Silicone	1808751C91	SS49745	1

Miscellaneous Gaskets

Fuel Pump Gasket	Material Paper	Exclusive	D27094	1
Engine Coolant Outlet Gasket	Material Paper	151241R1	C26472	1



PART	NOTES	OE INTERCHANGE NUMBER	PART NUMBER	ORDER QTY
------	-------	-----------------------	-------------	-----------

7 (cont.)	Engine Code: 'V266' 8 Cyl, 4.3L / 266 CID, Bore 92.1mm / 3.625", Stroke 81.8mm / 3.219"			7 (cont.)
----------------------------	--	--	--	----------------------------

Bearings

Connecting Rod Bearing (Pair)		151043R31	CB-581P	8
		151907R31	CB-581P-10	
		151908R31	CB-581P-20	
Main Bearing Set		151854R94	MS-516P	1
		151856R94	MS-516P-10	
		151857R94	MS-516P-20	
Camshaft Bearing Set		151665R94	SH-426S	1

Valve Train & Ancillary

Valve Lifter		217158R92	213-1650	16
Oil Pump		1469335C91	601-1039	1

8	Engine Codes: 'BD264, BG265' 6 Cyl, 4.3L / 264 CID, Bore 93.7mm / 3.688", Stroke 104.8mm / 4.125"			8
----------	--	--	--	----------

Engine Gaskets

Engine Cylinder Head Gasket Set		372770R92	HS3153W	1
Engine Conversion Gasket Set		70121R94	CS3153	1
Engine Cylinder Head Gasket	Material VR2000	164418R3	3153	1
Engine Valve Cover Gasket Set		164421R1	VS39723	1
Engine Push Rod Cover Gasket Set		369982R1	PS39682	1
Engine Valve Stem Seal Set		866834R1	B45356	1
Intake and Exhaust Manifolds Combination Gasket		173192R1	MS16022	1
Engine Oil Pan Gasket Set		369984R1	OS31569	1

Miscellaneous Gaskets

Fuel Pump Gasket	Material Paper	Exclusive	D27094	1
Engine Coolant Outlet Gasket	Material Paper	Exclusive	C25487*	1

Bearings

Piston Pin Bushing	Requires Reaming, 0.875" Pin Bore	70012R1	223-3469	6
Camshaft Bearing Set		130476R94	SH-220S	1

Valve Train & Ancillary

Valve Guide		237248R1	217-3747	12
Valve Seat Insert	1.567" OD, 1.3125" ID, 0.2188" Depth, 45° Seat	See Note	218-7493	6



* For our latest product offerings go to <http://catalog.mahle-aftermarket.com/us/>

PART	NOTES	OE INTERCHANGE NUMBER	PART NUMBER	ORDER QTY
------	-------	-----------------------	-------------	-----------

8 (cont.)	Engine Codes: 'BD264, BG265' 6 Cyl, 4.3L / 264 CID, Bore 93.7mm / 3.688", Stroke 104.8mm / 4.125"			8 (cont.)
----------------------------	--	--	--	----------------------------

Valve Train & Ancillary

Valve Seat Insert	Intake, 1.880" OD, 1.625" ID, 0.250" Depth, 45° Seat	110823R1	218-7687	6
Oil Pump		230421R91	601-1087	1

9	Engine Code: '6.0L' 8 Cyl, 6.0L / 363 CID, Bore 95.0mm / 3.740", Stroke 105.0mm / 4.134"; Turbocharged-Intercooled			9
----------	---	--	--	----------

Cylinder Components

Piston		1840995C1	224-3454	8
		1843282C1	224-3454.020	
		1843283C1	224-3454.030	
		Exclusive	224-3454.040	
	Standard Compression	1843285C2	224-3503	8
		1845520C1	224-3503.010	
		1845521C1	224-3503.020	
		1845522C1	224-3503.030	
Ring Set	Engine Set	1845605C92	41940	1
		1843264C91	41940.010	
		1843266C91	41940.020	
		1843267C91	41940.030	
		Exclusive	41940.040	
		1845605C92	S41940	8
		1843266C91	S41940.020	
		1843267C91	S41940.030	
		Exclusive	S41940.040	

Engine Gaskets

Engine Cylinder Head Gasket Set	18mm Cylinder Head Dowels, Contains Crankcase Head Tube Seals, Crankcase Head Tubes and Cylinder Head Bolts Not Included	1891054C93	HS54450	1
	07-10, 20mm Cylinder Head Dowels, Contains Crankcase Head Tube Seals, Crankcase Head Tubes and Cylinder Head Bolts Not Included, Serial #(s) 299,093 & After, Serial #(s) 3,723,722 & After	1891053C93	HS54579	1
Engine Conversion Gasket Set	Use With Head Set To Make Full Set	1845253C92	CS54450	1
Engine Cylinder Head Gasket	18mm Cylinder Head Dowel, 0.059" Thickness, Includes Cylinder Head Dowels, Material Multi-Layered Steel, Black Diamond Coated Head Gaskets, 1 Per Package	1840463C3	54450A	2
	20mm Cylinder Head Dowel, 0.059" Thickness, Includes Cylinder Head Dowels, Material Multi-Layered Steel, Black Diamond Coated Head Gaskets, 1 Per Package	1850307C1	54579A	2



PART	NOTES	OE INTERCHANGE NUMBER	PART NUMBER	ORDER QTY
------	-------	-----------------------	-------------	-----------

9 (cont.)	Engine Code: '6.0L' 8 Cyl, 6.0L / 363 CID, Bore 95.0mm / 3.740", Stroke 105.0mm / 4.134"; Turbocharged-Intercooled			9 (cont.)
----------------------------	--	--	--	----------------------------

Engine Gaskets

Engine Cylinder Head Bolt Set	10 Per Package, Priced Per Package, 6 Pt Hex Head Bolt, Long Cylinder Head Bolts, Replacement Recommended	1840773C1	GS33494	2
Engine Valve Cover Gasket Set	Contains Valve Cover Gaskets, Valve Cover Grommets, Crankcase Breather Seals, Glow Plug Harness O-Rings, ICP Sensor Seals, Rocker Box Gaskets	1838250C1	VS50395	1
Engine Valve Stem Seal Set	Material Fluoroelastomer, 16 Per Package, Cost is Per Each Seal	1838136C2 1874401C1	B45952	1
Engine Intake Manifold Gasket Set	Master Set - Contains Intake Manifold Gaskets Plus All Miscellaneous Gaskets and Seals Needed for Intake Installation.	Exclusive	MIS19311	1
	Contains (2) 1836542C1 Intake Manifold Gasket and (1) 1840701C93 Gasket Kit	1840701C92	MS19311	1
Exhaust Manifold Gasket Set	Material Multi-Layered Steel	1855240C2	MS19312•	1
Engine Oil Pan Gasket Set	Contains Upper Oil Pan Gasket, Lower Oil Pan Gasket, Oil Pan Rail Gaskets, Oil Pump Pickup Tube Seal, Dipstick Tube O-Ring, Drain Plug Gasket	1873180C92	OS32271	1
Engine Timing Cover Gasket Set	Contains Front Cover Gasket, Front Cover Seal, Intake Manifold to Front Cover Seal, Oil Pump Gaskets, RTV, Thermostat Housing O-Ring, Water Pump Gaskets	Exclusive	JV5066	1
Engine Timing Cover Seal		1837597C1	67726•	1
Rear Main Seal Set	Contains Wear Sleeve and Rear Cover Gasket, Oil Pan Set Not Included, Use With #(s) OS32271	1835733C1 1877453C91	JV1684•	1

Miscellaneous Gaskets

Turbocharger Mounting Gasket Set	Material Paper	1840053C97	GS33576	1
Engine Coolant Outlet Gasket	Thermostat Housing O-Ring Seal	1836779C1	C31801	1
Exhaust Pipe Flange Gasket		1839620C4	F31804•	1
Fuel Injection Nozzle O-Ring	1 Kit Will Service 8 Fuel Injectors	1843682C91	GS33442•	1
Engine Crankcase Breather Seal	Crankcase Breather Gaskets, Services LH Valve Cover	1844156C1	GS33445	1

Bearings

Connecting Rod Bearing (Pair)		7085756C91	CB-1814P	8
		7085757C91	CB-1814P-.25MM	
		7085758C91	CB-1814P-.50MM	
		7085759C91	CB-1814P-.75MM	
Main Bearing Set	To Be Replaced By MS-2269P Family	See Note	MS-2223P•	1
		See Note	MS-2223P-.25MM	
		See Note	MS-2223P-.50MM	
		See Note	MS-2223P-.75MM	



PART	NOTES	OE INTERCHANGE NUMBER	PART NUMBER	ORDER QTY
------	-------	-----------------------	-------------	-----------

9 (cont.)	Engine Code: '6.0L' 8 Cyl, 6.0L / 363 CID, Bore 95.0mm / 3.740", Stroke 105.0mm / 4.134"; Turbocharged-Intercooled			9 (cont.)
----------------------------	--	--	--	----------------------------

Bearings

Main Bearing Set		1843028C93	MS-2269P	1
		1843076C92	MS-2269P-.25MM	
		1843077C92	MS-2269P-.50MM	
		1843078C92	MS-2269P-.75MM	
Piston Pin Bushing	Bearing Install Type: Requires Boring	1834657C1	223-3671•	8

Valve Train & Ancillary

Valve (Intake)	Head Diameter 1.339", Stem Diameter 0.2737". Length 5.058", 30° Seat	1837731C1	211-4276•	1
		Exclusive	211-4276.015	
Valve (Exhaust)	Head Diameter 1.102", Stem Diameter 0.2737", Length 5.059", 37.5° Seat	1837732C1	211-4277•	1
		Exclusive	211-4277.015	

Turbochargers

Turbocharger	2004-2005.5 F & E Series, From Engine Number 094581 or Engine Number 6155637 to Engine Number 6344942, Add-on GS33576	1832255C91 1843761C93	014 TC 26159 100	1
	2003 F & E Series, Add-on GS33576	1845323C94 1856152C91	015 TC 21006 100	
Turbocharger Service Kit	For Turbocharger 015 TC 21006 100	See Note	015 TS 21006 100	1

10	Engine Code: 'Maxxforce 5' 6 Cyl, 4.5L / 275 CID, Bore 95.0mm / 3.740", Stroke 105.0mm / 4.134"; Turbocharged, VT265			10
-----------	--	--	--	-----------

Cylinder Components

Piston	Call Customer Service For MAHLE Original WR Options	1843285C2	224-3880•	6
		1845520C1	224-3880.010	
		1845521C1	224-3880.020	
		1845522C1	224-3880.030	
		Exclusive	224-3880.040	
Ring Set		1845605C92	S41940	6
		1843266C91	S41940.020	
		1843267C91	S41940.030	
		Exclusive	S41940.040	

Engine Gaskets

Engine Timing Cover Seal		1837597C1	67726•	1
Rear Main Seal Set	Contains Wear Sleeve and Rear Cover Gasket, Oil Pan Set Not Included, Use With #(s) OS32271	1835733C1 1877453C91	JV1684•	1

Miscellaneous Gaskets

Engine Oil Cooler Gasket Set		1894288C91	GS33699•	1
------------------------------	--	------------	-----------------	---



PART	NOTES	OE INTERCHANGE NUMBER	PART NUMBER	ORDER QTY
------	-------	-----------------------	-------------	-----------

10 (cont.)	Engine Code: 'Maxxforce 5' 6 Cyl, 4.5L / 275 CID, Bore 95.0mm / 3.740", Stroke 105.0mm / 4.134"; Turbocharged, VT265			10 (cont.)
-----------------------------	--	--	--	-----------------------------

Miscellaneous Gaskets

Exhaust Pipe Flange Gasket		1839620C4	F31804•	1
Cylinder Head Dowel Pin	18mm to 20mm Stepped Dowel Pin, Contains 2 Pieces, Material Steel	1832140C1	GS33593	2
Oil Pump Screen	High Pressure Oil Pump Inlet Screen. Located Under the Oil Cooler.	1838526C2	B32554•	1

Bearings

Connecting Rod Bearing (Pair)		7085756C91	CB-1814P	6
		7085757C91	CB-1814P-.25MM	
		7085758C91	CB-1814P-.50MM	
		7085759C91	CB-1814P-.75MM	
Main Bearing Set	Standard Set Contains 1881271C2(4), 1886078C2(3), 1886079C2(1), .25MM Contains 1840426C1(4), 1840408C2(3), 1870554C1(1), .50MM Set Contains 1840427C1(4), 1840409C2(3), 1870555C1(1), .75MM Contains 1840428C1(4), 1840410C2(3), 1870556C1(1)	See Note	MS-2352P•	1
		See Note	MS-2352P-.25MM	
		See Note	MS-2352P-.50MM	
		See Note	MS-2352P-.75MM	
Piston Pin Bushing	Bearing Install Type: Requires Boring	1834657C1	223-3671•	6
Camshaft Bearing Set		1828127C1	SH-2196S•	1

Valve Train & Ancillary

Valve (Intake)	Head Diameter 1.339", Stem Diameter 0.2737". Length 5.058", 30° Seat	1837731C1	211-4276•	12
		Exclusive	211-4276.015	
Valve (Exhaust)	Head Diameter 1.102", Stem Diameter 0.2737", Length 5.059", 37.5° Seat	1837732C1	211-4277•	12
		Exclusive	211-4277.015	

11	Engine Code: 'BD308' 6 Cyl, 5.0L / 308 CID, Bore 96.9mm / 3.813", Stroke 114.3mm / 4.500"; Gasoline			11
-----------	---	--	--	-----------

Engine Gaskets

Engine Valve Stem Seal Set	Intake And Exhaust, 8 Per Package, Cost is Per Each Seal	111024R1	B45229	8
-----------------------------------	--	----------	---------------	---

Valve Train & Ancillary

Valve Seat Insert	1.755" OD, 1.4375" ID, 0.250" Depth, 45° Seat	See Note	218-7587	8
	Intake, 1.880" OD, 1.625" ID, 0.250" Depth, 45° Seat	110823R1	218-7687	8

12	Engine Code: 'Maxxforce 7' 8 Cyl, 6.4L / 390 CID, Bore 98.2mm / 3.867", Stroke 105.0mm / 4.134"			12
-----------	---	--	--	-----------

Cylinder Components

Piston	Call Customer Service For MAHLE Original WR Options	1886491C1	224-3851•	8
		1894208C1	224-3851-0.25MM	
		1894209C1	224-3851-0.50MM	



PART	NOTES	OE INTERCHANGE NUMBER	PART NUMBER	ORDER QTY
------	-------	-----------------------	-------------	-----------

12 (cont.)	Engine Code: 'Maxxforce 7' 8 Cyl, 6.4L / 390 CID, Bore 98.2mm / 3.867", Stroke 105.0mm / 4.134"			12 (cont.)
-----------------------	--	--	--	-----------------------

Cylinder Components

Piston		1894210C1	224-3851-0.75MM	
Ring Set		7080199C91	42246•	1
		7080200C91	42246.010	
		7080201C91	42246.020	
		7080202C91	42246.030	
		7080199C91	S42246•	8
		7080200C91	S42246.010	
		7080201C91	S42246.020	
		7080202C91	S42246.030	

Engine Gaskets

Engine Valve Cover Gasket Set	Contains Valve Cover Gaskets, Valve Cover Grommets, Crankcase Breather Seal, High Pressure Fuel Line to Cylinder Head Oil Seals, Rocker Box Gaskets, Turbocharger Extension Tube/Crossover Seals	1876724C91	VS50503	1
Engine Valve Stem Seal Set	Material Fluoroelastomer, 16 Per Package, Cost is Per Each Seal	1838136C2 1874401C1	B45952	16
Exhaust Manifold Gasket Set	Material Multi-Layered Steel	1855240C2	MS19312•	1
Engine Timing Cover Seal		1837597C1	67726•	1
		1855083C1	67831•	1

Bearings

Connecting Rod Bearing (Pair)		2510851C91	CB-1958P•	8
		1899566C91	CB-1958P-.25MM	
		Exclusive	CB-1958P-.50MM	
Main Bearing Set		1843028C93	MS-2269P	1
		1843076C92	MS-2269P-.25MM	
		1843077C92	MS-2269P-.50MM	
		1843078C92	MS-2269P-.75MM	
Camshaft Bearing Set		1828127C1	SH-1996S	1

Valve Train & Ancillary

Valve (Intake)		1854006C1	211-4521	8
Valve (Exhaust)		1854007C1	211-4522	8

Filters

Fuel filter		1873917C91 1878042C91	KX 392/D•	1
-------------	--	--------------------------	------------------	---



PART	NOTES	OE INTERCHANGE NUMBER	PART NUMBER	ORDER QTY
------	-------	-----------------------	-------------	-----------

13	Engine Code: '6.4L' 8 Cyl, 6.4L / 390 CID, Bore 98.2mm / 3.867", Stroke 105.0mm / 4.134"; Turbocharged, Powerstroke			13
-----------	---	--	--	-----------

Cylinder Components

Piston		1878410C1	224-3666•	8
		1833993C1	224-3666-0.25MM	
		1833994C1	224-3666-0.50MM	
		1833995C1	224-3666-0.75MM	
Ring Set		1873172C91	42097	1
		1872938C91	42097.010	
		1872939C91	42097.020	
		1872940C91	42097.030	
		1873172C91	S42097•	8
		1872938C91	S42097.010	
		1872939C91	S42097.020	
		1872940C91	S42097.030	

Engine Gaskets

Engine Cylinder Head Gasket Set		1886295C93	HS54657	1
Engine Conversion Gasket Set	Use With Head Set To Make Full Set	Exclusive	CS54657	1
Engine Cylinder Head Gasket	Material Multi-Layered Steel, 0.059" Thickness, Includes Cylinder Head Dowels, Black Diamond Coated Head Gaskets	1875470C2	54657•	2
Engine Cylinder Head Bolt Set	6 Pt Hex Head Bolt, Long Cylinder Head Bolts, Replacement Recommended	1872657C2	GS33495	2
	6 Pt Hex Head Bolt, Short Cylinder Head Bolts, Replacement Optional	1818726C1	GS33519	2
Engine Valve Cover Gasket Set	Contains Valve Cover Gaskets, Valve Cover Grommets, Crankcase Breather Seal, High Pressure Fuel Line to Cylinder Head Oil Seals, Rocker Box Gaskets, Turbocharger Extension Tube/Crossover Seals	1876724C91	VS50503	1
Engine Valve Stem Seal Set	Material Fluoroelastomer, 16 Per Package, Cost is Per Each Seal	1838136C2 1874401C1	B45952	16
Engine Intake Manifold Gasket Set		Exclusive	MIS19637•	1
		1840701C93	MS19637	1
Exhaust Manifold Gasket Set	Material Multi-Layered Steel	1855240C2	MS19312•	1
Engine Oil Pan Gasket Set	Contains Upper Oil Pan Gasket, Lower Oil Pan Gasket, Oil Pan Rail Gaskets, Oil Pump Pickup Tube Seal, Dipstick Tube O-Ring, Drain Plug Gasket	1873180C92	OS32352•	1
Engine Timing Cover Gasket Set	Contains Front Cover Gasket, Front Cover Seal, Heater Return Tube O-Ring, Oil Pump Cover Gasket, Water Pump Gasket	1855083C1	JV5139	1
Engine Timing Cover Seal		1855083C1	67831•	1
Rear Main Seal Set	Contains Wear Sleeve and Rear Cover Gasket, Oil Pan Set Not Included, Use With #(s) OS32271	1835733C1 1877453C91	JV1684•	1



PART	NOTES	OE INTERCHANGE NUMBER	PART NUMBER	ORDER QTY
------	-------	-----------------------	-------------	-----------

13 (cont.)	Engine Code: '6.4L' 8 Cyl, 6.4L / 390 CID, Bore 98.2mm / 3.867", Stroke 105.0mm / 4.134"; Turbocharged, Powerstroke	13 (cont.)
-----------------------	---	-----------------------

Miscellaneous Gaskets

Turbocharger Mounting Gasket Set		1873429C96	GS33566	1
	Master Set Contains All Miscellaneous Gaskets and Seals Needed for Turbocharger Installation	1873429C96	GS33566A	1
Engine Coolant Thermostat Housing Gasket		1854742C1	C32243	1
EGR Valve Gasket		1847321C1	G32614	1
Fuel Injector Seal Kit	Contains Fuel Injector Tube	1873425C93	GS33688	1
Engine Water Pump Gasket		8C3Z 8507-B	K32242	1
Exhaust Pipe Flange Gasket		1848255C3	B32255•	2
		1848254C3	B32256	2
Fuel Injection Nozzle O-Ring	Contains 1834166C1 (8) Fuel Injector O-Rings And 1855345C1(8) Fuel Injector Crush Washers, For Set with Injector Tubing See GS33688	See Note	GS33555•	1

Bearings

Connecting Rod Bearing (Pair)		1873171C91	CB-1869P	8
		1876503C91	CB-1869P-.25MM	
		1876504C91	CB-1869P-.50MM	
		1876505C91	CB-1869P-.75MM	
		1873171C91	CB-1869P(8)	8
		1876503C91	CB-1869P-.25MM(8)	
		1876504C91	CB-1869P-.50MM(8)	
		Exclusive	CB-1876P-.25MM•	8
		Exclusive	CB-1876P-.50MM	
		Exclusive	CB-1876P-.75MM	
Main Bearing Set		1843028C93	MS-2269P	1
		1843076C92	MS-2269P-.25MM	
		1843077C92	MS-2269P-.50MM	
		1843078C92	MS-2269P-.75MM	
Camshaft Bearing Set		1828127C1	SH-1996S	1

Filters

Oil filter element	Filter Type Oil Filter Cartridge	1844588C91	OX 783D ECO•	1
Fuel filter element	Includes Primary And Secondary Fuel Filters	1848522C93	KX 391S•	1

Turbochargers

Turbocharger	2008-2010 F-Series, Add-On GS33566, Low Pressure Turbo	1848301C1	014 TC 21101 100	1
	2008-2010 F-Series, Add-On GS33566, High Pressure Turbo	1848303C3	014 TC 21102 100	1
Turbocharger Service Kit	For Turbochargers 014 TC 21101 100 and 014 TC 21102 100	4307304R91 4307305R91	014 TS 21101 100	1



PART	NOTES	OE INTERCHANGE NUMBER	PART NUMBER	ORDER QTY
------	-------	-----------------------	-------------	-----------

14	Engine Code: 'B152' 4 Cyl, 2.5L / 152 CID, Bore 98.4mm / 3.875", Stroke 81.8mm / 3.219"			14
-----------	---	--	--	-----------

Engine Gaskets

Engine Valve Cover Gasket Set	Material Cork-Rubber	151193R4	VS38410X	1
Engine Valve Stem Seal Set	Intake And Exhaust, 8 Per Package, Cost is Per Each Seal	111024R1	B45229	8
Engine Oil Pan Gasket Set	Material Cork-Rubber	151067R3	OS30765	1
Engine Timing Cover Gasket Set	Contains Sleeve, Material Silicone	1808751C91	SS49745	1

Miscellaneous Gaskets

Fuel Pump Gasket	Material Paper	Exclusive	D27094	1
-------------------------	----------------	-----------	---------------	---

15	Engine Code: 'V345' 8 Cyl, 5.6L / 345 CID, Bore 98.4mm / 3.875", Stroke 93.0mm / 3.660"; Gasoline, LPG, Including Model E			15
-----------	---	--	--	-----------

Cylinder Components

Ring Set	Item Grade: Standard	151867R92	50220	1
		151869R92	50220.020	
		151870R92	50220.030	
		151871R92	50220.040	
		Exclusive	50220.060	
	Moly Cast Iron, Gasoline, LPG	151867R92	S40220	8
		151869R92	S40220.020	
		151870R92	S40220.030	
		151871R92	S40220.040	
		Exclusive	S40220.060	
	Plain, Gasoline, LPG	151867R92	S50220	8
		151869R92	S50220.020	
		151870R92	S50220.030	
		151871R92	S50220.040	
		Exclusive	S50220.060	

Engine Gaskets

Engine Cylinder Head Gasket		151453R2	3175•	2
Engine Valve Cover Gasket Set	Material Cork-Rubber	151193R4	VS38410	1
Engine Valve Stem Seal Set	Intake And Exhaust, 8 Per Package, Cost is Per Each Seal	111024R1	B45229	16
Engine Oil Pan Gasket Set	Material Cork-Rubber	151067R3	OS30765	1
Engine Timing Cover Gasket Set		151114R2	JV825	1
	Contains Sleeve, Material Silicone	1808751C91	SS49745	1



PART	NOTES	OE INTERCHANGE NUMBER	PART NUMBER	ORDER QTY
------	-------	-----------------------	-------------	-----------

15 (cont.)	Engine Code: 'V345' 8 Cyl, 5.6L / 345 CID, Bore 98.4mm / 3.875", Stroke 93.0mm / 3.660"; Gasoline, LPG, Including Model E			15 (cont.)
-----------------------	---	--	--	-----------------------

Miscellaneous Gaskets

Fuel Pump Gasket	Material Paper	Exclusive	D27094	1
Engine Coolant Outlet Gasket	Material Paper	151241R1	C26472	1

Bearings

Connecting Rod Bearing (Pair)		151043R31	CB-581P	8
		151907R31	CB-581P-10	
		151908R31	CB-581P-20	
Main Bearing Set		151854R94	MS-516P	1
		151856R94	MS-516P-10	
		151857R94	MS-516P-20	
Camshaft Bearing Set		151665R94	SH-426S	1

Valve Train & Ancillary

Valve Guide		151798R1	217-3836	16
Valve Lifter		217158R92	213-1650	16
Valve Lock		41339D	216-5144•	16
Oil Pump		1469335C91	601-1039	1

Crankshaft

Crankshaft	With Gear	1809953C91	247-5186•	1
------------	-----------	------------	------------------	---

16	Engine Codes: 'FBC318, RED318' 6 Cyl, 5.2L / 318 CID, Bore 98.4mm / 3.875", Stroke 114.3mm / 4.500"			16
-----------	---	--	--	-----------

Engine Gaskets

Engine Valve Stem Seal Set	Intake And Exhaust, 8 Per Package, Cost is Per Each Seal	111024R1	B45229	8
----------------------------	--	----------	---------------	---

Miscellaneous Gaskets

Engine Coolant Outlet Gasket	Material Paper	Exclusive	C25487•	1
------------------------------	----------------	-----------	----------------	---

17	Engine Code: 'V304' 8 Cyl, 5.0L / 304 CID, Bore 98.4mm / 3.875", Stroke 81.8mm / 3.219"; Gasoline, LPG, Includes E Model			17
-----------	--	--	--	-----------

Cylinder Components

Ring Set	Item Grade: Standard	151867R92	50220	1
		151869R92	50220.020	
		151870R92	50220.030	
		151871R92	50220.040	
		Exclusive	50220.060	
	Moly Cast Iron, Gasoline, LPG	151867R92	S40220	8



PART	NOTES	OE INTERCHANGE NUMBER	PART NUMBER	ORDER QTY
------	-------	-----------------------	-------------	-----------

17 (cont.)	Engine Code: 'V304' 8 Cyl, 5.0L / 304 CID, Bore 98.4mm / 3.875", Stroke 81.8mm / 3.219"; Gasoline, LPG, Includes E Model			17 (cont.)
-----------------------	--	--	--	-----------------------

Cylinder Components

Ring Set		151869R92	S40220.020	8
		151870R92	S40220.030	
		151871R92	S40220.040	
		Exclusive	S40220.060	
	Plain, Gasoline, LPG	151867R92	S50220	
		151869R92	S50220.020	
		151870R92	S50220.030	
		151871R92	S50220.040	
		Exclusive	S50220.060	

Engine Gaskets

Engine Valve Cover Gasket Set	Material Cork-Rubber	151193R4	VS38410	1
Engine Valve Stem Seal Set	Intake And Exhaust, 8 Per Package, Cost is Per Each Seal	111024R1	B45229	16
Engine Oil Pan Gasket Set	Material Cork-Rubber	151067R3	OS30765	1
Engine Timing Cover Gasket Set	Contains Sleeve, Material Silicone	1808751C91	SS49745	1

Miscellaneous Gaskets

Fuel Pump Gasket	Material Paper	Exclusive	D27094	1
Engine Coolant Outlet Gasket	Material Paper	151241R1	C26472	1

Bearings

Connecting Rod Bearing (Pair)		151043R31	CB-581P	8
		151907R31	CB-581P-10	
		151908R31	CB-581P-20	
Main Bearing Set		151854R94	MS-516P	1
		151856R94	MS-516P-10	
		151857R94	MS-516P-20	
Camshaft Bearing Set		151665R94	SH-426S	1

Valve Train & Ancillary

Valve Lifter		217158R92	213-1650	16
--------------	--	-----------	-----------------	----

18	Engine Code: '6.9L' 8 Cyl, 6.9L / 420 CID, Bore 101.6mm / 4.000", Stroke 106.2mm / 4.181"			18
-----------	---	--	--	-----------

Engine Gaskets

Engine Cylinder Head Gasket Set	Intake Manifold Gasket Not Included	1811049C98	HS3789	1
Engine Conversion Gasket Set	88-94, Use With Head Set To Make Full Set	1802213C99	CS5869	1



PART	NOTES	OE INTERCHANGE NUMBER	PART NUMBER	ORDER QTY
------	-------	-----------------------	-------------	-----------

18 (cont.)	Engine Code: '6.9L' 8 Cyl, 6.9L / 420 CID, Bore 101.6mm / 4.000", Stroke 106.2mm / 4.181"	18 (cont.)		
-----------------------	---	-----------------------	--	--

Engine Gaskets

Engine Cylinder Head Gasket	Material Nitroseal	1804259C7	3789G	2
Engine Valve Cover Gasket Set	Contains Valve Cover Gaskets, Material Cork-Rubber, 2 Per Package	1804052C1	VS39471•	1
Engine Valve Stem Seal Set	Intake, Material Fluoroelastomer, 8 Per Package, Cost is Per Each Seal	1815014C1	B45560	1
	Exhaust, Shedder Type, Material Nylon	1811076C1	B45662	1
Engine Oil Pan Gasket Set	Aftermarket Replacement, OE Uses Liquid Gasket On Original Build, Material Cork-Rubber	Exclusive	OS32053	1
Engine Timing Cover Gasket Set	Contains Timing Cover Gaskets, Timing Cover Seal, Water Pump Gasket, Contains (1) 1804009C91 Crankshaft Seal And (1) 1804480C92 Front Cover Set	1804009C91	JV1019•	1
Rear Main Seal Set	Rear Cover Gasket 446501C3 Included	1804010C91	JV547•	1

Miscellaneous Gaskets

Engine Water Pump Gasket		1804136C3	K27163•	1
Engine Coolant Outlet Gasket	Left Side, Material Paper	446448C3	C24550•	1
	Material Paper	1804032C3	C24551•	1
	Upper Outlet O-Ring Seal	1821880C2	C32036•	1

Bearings

Connecting Rod Bearing (Pair)		1802200C3	CB-1327P	8
		1802201C3	CB-1327P-10	
		1802202C3	CB-1327P-20	
		1802203C3	CB-1327P-30	
Main Bearing Set	Standard Set Contains 1802216C92(4)+1802220C92(1) .010" Contains 1802217C92(4)+1802221C92(1) .020" Contains 1802218C92(4)+1802222C92(1)	See Note	MS-1596P	1
		See Note	MS-1596P-10	
		See Note	MS-1596P-20	
Camshaft Bearing Set		1804475C94	SH-1092S	1

Valve Train & Ancillary

Valve Seat Insert (Intake)	1.943" OD, 1.6875" ID, 0.1875" Depth, 45° Seat	See Note	218-7921•	8
Valve Seat Insert (Exhaust)	1.669" OD, 1.372" ID, 0.272" Depth, 37° Seat	1805249C1	218-7920•	8
Oil Pump		1805398C94	601-1957	1

19	Engine Code: 'DT360' 6 Cyl, 5.9L / 360 CID, Bore 101.9mm / 4.010", Stroke 129.2mm / 5.085"; Turbocharged	19		
-----------	--	-----------	--	--

Cylinder Components

Cylinder Sleeve Assembly	From S/N 30001 To 39374	1809920C95	226-1830	6
	S/N 39375-Up	1817250C92	226-1966	6



PART	NOTES	OE INTERCHANGE NUMBER	PART NUMBER	ORDER QTY
------	-------	-----------------------	-------------	-----------

19 (cont.)	Engine Code: 'DT360' 6 Cyl, 5.9L / 360 CID, Bore 101.9mm / 4.010", Stroke 129.2mm / 5.085"; Turbocharged			19 (cont.)
-----------------------	--	--	--	-----------------------

Cylinder Components

Cylinder Sleeve Assembly	S/N 39375-Up With Boron Sleeve	1817250C92	226-2071	6
Cylinder Sleeve	Induction Hardened	1809935C4	226-4541	6
	Unhardened, Boron Material	1809935C4	226-4585•	6
Piston	From S/N 30001 To 39374	1809912C2	224-3262•	6
	S/N 39375-Up	1817178C2	224-3352	6
Ring Set		1817251C91	S41938•	6
Sleeve O-Ring Kit		1809938C1	223-7191	6

Engine Gaskets

Engine Cylinder Head Gasket Set		1817255C95	HS54253	1
Engine Conversion Gasket Set	Consolidated Set , Front And Rear Crankshaft Seals Not Included	1815668C95 674399C97	CS3872	1
Engine Cylinder Head Gasket		1819546C1	54253	1
Engine Valve Stem Seal Set	To S/N 72607 Intake And Exhaust, Oil Shield, 12 Per Package, Cost is Per Each Seal	681234C1	B45607	1
	From S/N 72707 Top Hat Design, 12 Per Package	1815374C1	SS45879	1
Engine Oil Pan Gasket Set		671825C1	OS32197	1
Engine Timing Cover Gasket Set	Includes Wear Sleeve	690437C95	SS47537•	1
Rear Main Seal Set	Single Lip, Includes Wear Sleeve	1809964C92	SS47866•	1

Miscellaneous Gaskets

Engine Coolant Thermostat Gasket Set		675384C1	C31539	1
Fuel Injection Nozzle O-Ring	Engine Set, 6 Per Package	675477C1	GS33490•	1

Bearings

Connecting Rod Bearing (Pair)		1823863C91	CB-1394P	6
		1823864C91	CB-1394P-10	
		1823865C91	CB-1394P-20	
		1823866C91	CB-1394P-30	
Main Bearing Set		1823859C91	MS-1342P	1
		1823860C91	MS-1342P-10	
		1823861C91	MS-1342P-20	
Camshaft Bearing Set	Contains OE#'s: 675424C1, 675020C2, 675021C2 And 1830059C1	680117C3	SH-994S	1



PART	NOTES	OE INTERCHANGE NUMBER	PART NUMBER	ORDER QTY
------	-------	-----------------------	-------------	-----------

19 (cont.)	Engine Code: 'DT360' 6 Cyl, 5.9L / 360 CID, Bore 101.9mm / 4.010", Stroke 129.2mm / 5.085"; Turbocharged			19 (cont.)
-----------------------------	--	--	--	-----------------------------

Valve Train & Ancillary

Valve (Exhaust)	1.455" Head Diameter, 5.678" Length, 0.3713" Stem, 45 Degree	1810086C2	211-3198	6
Valve Guide (Intake & Exhaust)	To S/N 72706 0.626" Outside Diameter, 0.3745" Inside Diameter, 2.750" Length	675439C1	217-3252	12
	From S/N 72707 0.626" Outside Diameter, 0.3745" Inside Diameter, 2.610" Length	1815264C1	217-4077	12

Crankshaft

Crankshaft	With Gear	1809953C91	247-5186•	1
Crank Gear		675406C1	8-3315•	1

20	Engine Code: '7.3L IDI Turbo' 8 Cyl, 7.3L / 444 CID, Bore 104.4mm / 4.111", Stroke 106.2mm / 4.181"; Turbocharged, Indirect Injection			20
-----------	---	--	--	-----------

Cylinder Components

Piston	8 Per Package, Call Customer Service For MAHLE Original WR Options	1816628C2	224-3512HA•	8
		Exclusive	224-3512HA.020	
		Exclusive	224-3512HA.030	
		Exclusive	224-3512HA.040	
Ring Set		Exclusive	S42104	8
		Exclusive	S42104.020	
		Exclusive	S42104.030	
		Exclusive	S42104.040	

Engine Gaskets

Engine Cylinder Head Gasket Set	Without Cylinder Head Bolts, Valve Cover Gaskets Not Included, Fuel Injection O-Rings Not Included, Use with #(s) VS50328 Or VS50329 And GS33440 (8)	1830826C93	HS54204A	1
Engine Conversion Gasket Set	Use With Head Set To Make Full Set, Consolidated Set, 94-03	1831682C91 2587926C91	CS54204A	1
	88-94, Use With Head Set To Make Full Set	1802213C99	CS5869•	1
Engine Cylinder Head Gasket	Material Nitroseal	1809057C3	5869G	2
Engine Cylinder Head Bolt Set	12 Pt (12.7mm/.500" Diameter), 17 Per Package	1809058C2	GS33348•	2
	6 Pt Hex Head Bolt, 18 Per Package	1818092C2	GS33379	2
Engine Valve Cover Gasket Set	Contains Valve Cover Gaskets, Material Cork-Rubber, 2 Per Package	1804052C1	VS39471•	1
	1994-1997	1818350C2	VS50328	2
Engine Valve Stem Seal Set	Material Fluoroelastomer, Top Hat Style, For 0.3125" Stem, 0.562"/0.572" Nominal Guide O.D., 8 Per Package	1816179C91 1820782C91	B45897•	2
Exhaust Manifold Gasket Set	Material Nitroseal, 94-03, 2 Per Package	1814219C1	MS16314•	1



PART	NOTES	OE INTERCHANGE NUMBER	PART NUMBER	ORDER QTY
------	-------	-----------------------	-------------	-----------

20 (cont.)	Engine Code: '7.3L IDI Turbo' 8 Cyl, 7.3L / 444 CID, Bore 104.4mm / 4.111", Stroke 106.2mm / 4.181"; Turbocharged, Indirect Injection			20 (cont.)
-----------------------	---	--	--	-----------------------

Engine Gaskets

Engine Timing Cover Gasket Set	Contains Timing Cover Gaskets, Timing Cover Seal, Water Pump Gasket, Contains (1) 1804009C91 Crankshaft Seal And (1) 1804480C92 Front Cover Set	1804009C91	JV1019•	1
Rear Main Seal Set	Rear Cover Gasket 446501C3 Included	1804010C91	JV547•	1
Rear Main Seal	Contains Repair Sleeve And Gasket, Material Teflon	1822834C91	67628•	1

Miscellaneous Gaskets

Engine Water Pump Gasket		1804136C3	K27163•	1
Engine Coolant Outlet Gasket	Left Side, Material Paper	446448C3	C24550•	1
	Material Paper	1804032C3	C24551•	1

Bearings

Connecting Rod Bearing (Pair)		1802200C3	CB-1327P	8
		1802201C3	CB-1327P-10	
		1802202C3	CB-1327P-20	
		1802203C3	CB-1327P-30	
Main Bearing Set	Standard Set Contains 1802216C92(4)+1802220C92(1) .010" Contains 1802217C92(4)+1802221C92(1) .020" Contains 1802218C92(4)+1802222C92(1)	See Note	MS-1596P	1
		See Note	MS-1596P-10	
		See Note	MS-1596P-20	
Camshaft Bearing Set		1804475C94	SH-1092S	1

Valve Train & Ancillary

Valve Lifter	Hydraulic Roller Type	1804353C91	213-1725	16
Valve Seat Insert (Intake)	1.943" OD, 1.6875" ID, 0.1875" Depth, 45° Seat	See Note	218-7921•	8
Valve Seat Insert (Exhaust)	1.669" OD, 1.372" ID, 0.272" Depth, 37° Seat	1805249C1	218-7920•	8

21	Engine Code: '7.3L IDI' 8 Cyl, 7.3L / 444 CID, Bore 104.4mm / 4.111", Stroke 106.2mm / 4.181"; Indirect Injection			21
-----------	---	--	--	-----------

Cylinder Components

Piston	.010" Reduced Compression Height Version, 8 Per Package, Call Customer Service For MAHLE Original WR Options	1816674C91	224-2908•	8
		1816676C91	224-2908.020	
		1816677C91	224-2908.030	
		Exclusive	224-2908.040	
	8 Per Package, Call Customer Service For MAHLE Original WR Options	1816674C91	224-3508	8
		1816676C91	224-3508.020	
		1816677C91	224-3508.030	
		Exclusive	224-3508.040	
Ring Set	8 Per Package	1813171C92	41548	1
		1813173C92	41548.020	



PART	NOTES	OE INTERCHANGE NUMBER	PART NUMBER	ORDER QTY
------	-------	-----------------------	-------------	-----------

21 (cont.)	Engine Code: '7.3L IDI' 8 Cyl, 7.3L / 444 CID, Bore 104.4mm / 4.111", Stroke 106.2mm / 4.181"; Indirect Injection			21 (cont.)
-----------------------	---	--	--	-----------------------

Cylinder Components

Ring Set		1813174C92	41548.030	8
		Exclusive	41548.040	
		1813171C92	S41548	
		1813173C92	S41548.020	
		1813174C92	S41548.030	
		Exclusive	S41548.040	

Engine Gaskets

Engine Cylinder Head Gasket Set	Without Cylinder Head Bolts, Intake Manifold Gasket Not Included	1809312C95	HS5869•	1
Engine Conversion Gasket Set	88-94, Use With Head Set To Make Full Set	1802213C99	CS5869•	1
Engine Cylinder Head Gasket	Material Nitroseal	1809057C3	5869G	2
Engine Cylinder Head Bolt Set	12 Pt (12.7mm/.500" Diameter), 17 Per Package	1809058C2	GS33348•	2
Engine Valve Cover Gasket Set	Contains Valve Cover Gaskets, Material Cork-Rubber, 2 Per Package	1804052C1	VS39471•	1
Engine Valve Stem Seal Set	Intake, Material Fluoroelastomer, 8 Per Package, Cost is Per Each Seal	1815014C1	B45560	8
	Exhaust, Shedder Type, Material Nylon	1811076C1	B45662	8
Exhaust Manifold Gasket Set	Material Composite, 2 Per Package	1805055C2	MS15369•	1
Engine Oil Pan Gasket Set	Aftermarket Replacement, OE Uses Liquid Gasket On Original Build, Material Cork-Rubber	Exclusive	OS32053	1
Engine Timing Cover Gasket Set	Contains Timing Cover Gaskets, Timing Cover Seal, Water Pump Gasket, Contains (1) 1804009C91 Crankshaft Seal And (1) 1804480C92 Front Cover Set	1804009C91	JV1019•	1
Rear Main Seal Set	Rear Cover Gasket 446501C3 Included	1804010C91	JV547•	1

Miscellaneous Gaskets

Fuel Pump Gasket	Material Paper	Exclusive	D27094	1
Engine Water Pump Gasket		1804136C3	K27163•	1
Engine Coolant Outlet Gasket	Left Side, Material Paper	446448C3	C24550•	1
	Material Paper	1804032C3	C24551•	1

Bearings

Connecting Rod Bearing (Pair)		1802200C3	CB-1327P	8
		1802201C3	CB-1327P-10	
		1802202C3	CB-1327P-20	
		1802203C3	CB-1327P-30	
		Exclusive	CB-1327P-40	
Main Bearing Set	Standard Set Contains 1802216C92(4)+1802220C92(1) .010" Contains 1802217C92(4)+1802221C92(1) .020" Contains 1802218C92(4)+1802222C92(1)	See Note	MS-1596P	1
		See Note	MS-1596P-10	



PART	NOTES	OE INTERCHANGE NUMBER	PART NUMBER	ORDER QTY
------	-------	-----------------------	-------------	-----------

21 (cont.)	Engine Code: '7.3L IDI' 8 Cyl, 7.3L / 444 CID, Bore 104.4mm / 4.111", Stroke 106.2mm / 4.181"; Indirect Injection			21 (cont.)
-----------------------------	---	--	--	-----------------------------

Bearings

Main Bearing Set		See Note	MS-1596P-20	
Camshaft Bearing Set		1804475C94	SH-1092S	1

Valve Train & Ancillary

Valve (Intake)	1.877" Head Diameter, 5.687" Length, 0.3719" Stem, 30° Seat	1804330C2	211-2561•	8
Valve (Exhaust)	1.595" Head Diameter 5.670" Length, 0.3720" Stem, 37° Seat	1811191C3	211-2562•	8
Valve Lifter	Hydraulic Roller Type	1804353C91	213-1725	16
Valve Seat Insert (Intake)	1.943" OD, 1.6875" ID, 0.1875" Depth, 45° Seat	See Note	218-7921•	8
Valve Seat Insert (Exhaust)	1.669" OD, 1.372" ID, 0.272" Depth, 37° Seat	1805249C1	218-7920•	8
Oil Pump		1805398C94	601-1957	1

22	Engine Code: '7.3L, T444E' 8 Cyl, 7.3L / 444 CID, Bore 104.4mm / 4.111", Stroke 106.2mm / 4.181"; Turbocharged, Direct Injection			22
-----------	--	--	--	-----------

Cylinder Components

Piston	8 Per Package, Call Customer Service For MAHLE Original WR Options	1824284C1	224-3163•	8
		1830898C1	224-3163.010	
		1830899C1	224-3163.020	
		1830900C1	224-3163.030	
		Exclusive	224-3163.040	
	Compression Reduced Compression .010", Call Customer Service For MAHLE Original WR Options	1824284C1	224-3409	8
		1830898C1	224-3409.010	
		1830899C1	224-3409.020	
		1830900C1	224-3409.030	
		Exclusive	224-3409.040	
Ring Set	Engine Set	1830949C92	41768	1
		1830951C92	41768.020	
		1830952C92	41768.030	
		Exclusive	41768.040	
		1830949C92	S41768	8
		1830951C92	S41768.020	
		1830952C92	S41768.030	
		Exclusive	S41768.040	



PART	NOTES	OE INTERCHANGE NUMBER	PART NUMBER	ORDER QTY
------	-------	-----------------------	-------------	-----------

22 (cont.)	Engine Code: '7.3L, T444E' 8 Cyl, 7.3L / 444 CID, Bore 104.4mm / 4.111", Stroke 106.2mm / 4.181"; Turbocharged, Direct Injection			22 (cont.)
-----------------------	--	--	--	-----------------------

Engine Gaskets

Engine Cylinder Head Gasket Set	Without Cylinder Head Bolts, Valve Cover Gaskets Not Included, Fuel Injection O-Rings Not Included, Use with #(s) VS50328 Or VS50329 And GS33440 (8)	1830826C93	HS54204A	1
Engine Conversion Gasket Set	Use With Head Set To Make Full Set, Consolidated Set, 94-03	1831682C91 2587926C91	CS54204A	1
Engine Cylinder Head Gasket	Material Nitroseal	1825289C1	54204	2
Engine Cylinder Head Bolt Set	6 Pt Hex Head Bolt, 18 Per Package	1818092C2	GS33379	2
Engine Valve Cover Gasket Set	1994-1997	1818350C2	VS50328	2
	1998-2003	1826703C1	VS50329•	2
Engine Valve Stem Seal Set	Material Fluoroelastomer, Top Hat Style, For 0.3125" Stem, 0.562"/0.572" Nominal Guide O.D., 8 Per Package	1816179C91 1820782C91	B45897•	2
Exhaust Manifold Gasket Set	Material Nitroseal, 94-03, 2 Per Package	1814219C1	MS16314•	1
Engine Timing Cover Gasket Set	Contains High Pressure Oil Pump Mounting Gasket, Oil Pump Inlet Tube Gasket, Oil Pump Cover Gasket, Oil Reservoir Gasket, RTV, Timing Cover Gaskets, Timing Cover Seal, Water Pump Gasket	See Note	JV5059	1
	Contains High Pressure Oil Pump Mounting Gasket, Oil Pump Inlet Tube Gaskets, Oil Reservoir Cover Gaskets, Oil Reservoir Gasket with Screen, RTV, Timing Cover Gaskets, Timing Cover Seal, Water Pump Gasket, 96-03	1831680C94	JV5060	1
Engine Timing Cover Seal		See Note	67631	1
Rear Main Seal	Contains Repair Sleeve And Gasket, Material Teflon	1822834C91	67628•	1

Miscellaneous Gaskets

Turbocharger Mounting Gasket Set	Includes Turbo Mounting Gasket 1822120C1(1)+Drain Back Gasket 1831227C1(1)+O-Ring 1815561C1(2)+O-Ring 1815560C1(2)+O-Ring 181872C1 (1), Material Nitroseal	See Note	GS33656	1
Engine Water Pump Gasket		1831713C1	K31779	1
Engine Coolant Outlet Gasket	Upper Outlet O-Ring Seal	1821880C2	C32036•	1

Bearings

Connecting Rod Bearing (Pair)		1812301C1	CB-1633P	8
		1812302C1	CB-1633P-10	
		1812303C1	CB-1633P-20	
		1812304C1	CB-1633P-30	
		Exclusive	CB-1633P-40	
Main Bearing Set	Standard Set Contains OE# (1) 1812321C91 And (4) 1812325C91, .010" Set Contains OE# (1) 1812322C91 And (4) 1812326C91, .020" Set Contains OE# (1) 1812323C91 And (4) 1812327C91, .030" Set Contains OE# (1) 1812324C91 And (4) 1812328C91	See Note	MS-2034P	1
		See Note	MS-2034P-10	
		See Note	MS-2034P-20	
		See Note	MS-2034P-30	



PART	NOTES	OE INTERCHANGE NUMBER	PART NUMBER	ORDER QTY
------	-------	-----------------------	-------------	-----------

22 (cont.)	Engine Code: '7.3L, T444E' 8 Cyl, 7.3L / 444 CID, Bore 104.4mm / 4.111", Stroke 106.2mm / 4.181"; Turbocharged, Direct Injection			22 (cont.)
-----------------------------	--	--	--	-----------------------------

Bearings

Camshaft Bearing Set		1804475C94	SH-1092S	1
----------------------	--	------------	----------	---

Valve Train & Ancillary

Valve (Intake)	1.877" Head Diameter, 5.687" Length, 0.3719" Stem, 30° Seat	1804330C2	211-2561•	8
Valve (Exhaust)	1.595" Head Diameter 5.670" Length, 0.3720" Stem, 37° Seat	1811191C3	211-2562•	8
Valve Lifter	Hydraulic Roller Type	1804353C91	213-1725	16
Valve Seat Insert	1.755" OD, 1.4375" ID, 0.250" Depth, 45° Seat	See Note	218-7587	8
Valve Seat Insert (Intake)	1.943" OD, 1.6875" ID, 0.1875" Depth, 45° Seat	See Note	218-7921•	8
Valve Seat Insert (Exhaust)	1.669" OD, 1.372" ID, 0.272" Depth, 37° Seat	1805249C1	218-7920•	8
Oil Pump		1815987C92	601-2092	1

Turbochargers

Turbocharger	1998.5 to 1999.5 F-Series, Turbo w/ Pedestal	1825878C92	014 TC 24006 100	1
	1994-1998.5 F-Series, 1995-1998.5 E-Series, A/R Rating 1.15, Turbo w/ Pedestal	1820612C91 1822702C92 1825818C92	014 TC 24007 100	1
	1994-1997 F-Series	1820642C91 1820646C91	144 TC 24008 000	1
	1994-1997 F-Series, A/R Rating 0.84	1820642C92 1820646C92 1822765C91	144 TC 24010 000	1

23	Engine Code: 'RED361' 6 Cyl, 5.9L / 361 CID, Bore 104.8mm / 4.125", Stroke 114.3mm / 4.500"			23
-----------	---	--	--	-----------

Engine Gaskets

Engine Valve Stem Seal Set	Intake And Exhaust, 8 Per Package, Cost is Per Each Seal	111024R1	B45229	8
----------------------------	--	----------	--------	---

Miscellaneous Gaskets

Engine Coolant Outlet Gasket	Material Paper	Exclusive	C25487•	1
------------------------------	----------------	-----------	---------	---

Valve Train & Ancillary

Valve (Intake)	1.940" Head Diameter, 4.880" Length, 0.341" Stem, 45° Seat, 1 Groove	See Note	211-2072•	1
----------------	--	----------	-----------	---

24	Engine Code: 'FBC361' 6 Cyl, 5.9L / 361 CID, Bore 104.8mm / 4.125", Stroke 114.3mm / 4.500"			24
-----------	---	--	--	-----------

Engine Gaskets

Engine Valve Stem Seal Set	Intake And Exhaust, 8 Per Package, Cost is Per Each Seal	111024R1	B45229	8
----------------------------	--	----------	--------	---



PART	NOTES	OE INTERCHANGE NUMBER	PART NUMBER	ORDER QTY
------	-------	-----------------------	-------------	-----------

24 (cont.)	Engine Code: 'FBC361' 6 Cyl, 5.9L / 361 CID, Bore 104.8mm / 4.125", Stroke 114.3mm / 4.500"			24 (cont.)
-----------------------------	---	--	--	-----------------------------

Miscellaneous Gaskets

Engine Coolant Outlet Gasket	Material Paper	Exclusive	C25487•	1
-------------------------------------	----------------	-----------	----------------	---

25	Engine Code: 'V392' 8 Cyl, 6.4L / 392 CID, Bore 104.8mm / 4.125", Stroke 93.1mm / 3.666"; Gasoline, LPG, Including Model E			25
-----------	--	--	--	-----------

Cylinder Components

Ring Set	Gasoline, LPG, Natural Gas, Plasma-Moly Ductile Iron	874897R91	S40801	8
		369671C92 874900R91	S40801.030	
	Gasoline, LPG, Natural Gas, Plasma-Moly Ductile Iron, High Vacuum Operation	446819C92	S41168	8
		446819C92 446822C92	S51168 S51168.030	8

Engine Gaskets

Engine Valve Cover Gasket Set	Material Cork-Rubber	151193R4	VS38410	1
Engine Valve Stem Seal Set	Intake And Exhaust, 8 Per Package, Cost is Per Each Seal	111024R1	B45229	16
Engine Oil Pan Gasket Set	Material Cork-Rubber	151067R3	OS30765	1
Engine Timing Cover Gasket Set	Contains Sleeve, Material Silicone	1808751C91	SS49745	1

Miscellaneous Gaskets

Fuel Pump Gasket	Material Paper	Exclusive	D27094	1
Engine Coolant Outlet Gasket	Material Paper	151241R1	C26472	2

Bearings

Connecting Rod Bearing (Pair)		151043R31	CB-581P	8
		151907R31	CB-581P-10	
		151908R31	CB-581P-20	
Main Bearing Set		151854R94	MS-516P	1
		151856R94	MS-516P-10	
		151857R94	MS-516P-20	
Camshaft Bearing Set		151665R94	SH-426S	1

Valve Train & Ancillary

Valve Lifter		217158R92	213-1650	16
Oil Pump		1469335C91	601-1039	1



PART	NOTES	OE INTERCHANGE NUMBER	PART NUMBER	ORDER QTY
------	-------	-----------------------	-------------	-----------

26	Engine Code: '4-196' 4 Cyl, 3.2L / 196 CID, Bore 104.8mm / 4.125", Stroke 92.9mm / 3.656"			26
-----------	---	--	--	-----------

Cylinder Components

Ring Set	Gasoline, LPG, Natural Gas, Plasma-Moly Ductile Iron, High Vacuum Operation	446819C92	S41168	4
		446819C92	S51168	4
		446822C92	S51168.030	

Bearings

Connecting Rod Bearing (Pair)		294458C12	CB-633P	4
Main Bearing Set		151854R94	MS-516P	1
		151856R94	MS-516P-10	
		151857R94	MS-516P-20	
Camshaft Bearing Set		151665R94	SH-426S	1

27	Engine Code: 'DV462B' 8 Cyl, 7.6L / 461 CID, Bore 104.8mm / 4.125", Stroke 109.6mm / 4.313"			27
-----------	---	--	--	-----------

Engine Gaskets

Engine Oil Pan Gasket Set		448428C1	OS31571	1
Engine Timing Cover Gasket Set	Contains Sleeve, Material Silicone	1808751C91	SS49745	1
Rear Main Seal	Includes Wear Sleeve	317749C92	SS61197•	1

Bearings

Main Bearing Set		480842C91	MS-883P	1
		480843C91	MS-883P-10	
		480844C92	MS-883P-20	
Camshaft Bearing Set		448139C93	SH-681S	1

28	Engine Code: 'VS461' 8 Cyl, 7.6L / 461 CID, Bore 104.8mm / 4.125", Stroke 109.5mm / 4.312"			28
-----------	--	--	--	-----------

Cylinder Components

Ring Set	Gasoline, LPG, Natural Gas, Plasma-Moly Ductile Iron	874897R91	S40801	8
		369671C92	S40801.030	
		874900R91		
	Gasoline, LPG, Natural Gas, Plasma-Moly Ductile Iron, High Vacuum Operation	446819C92	S41168	8
		446819C92	S51168	8
		446822C92	S51168.030	

Engine Gaskets

Engine Oil Pan Gasket Set		448428C1	OS31571	1
---------------------------	--	----------	----------------	---



PART	NOTES	OE INTERCHANGE NUMBER	PART NUMBER	ORDER QTY
------	-------	-----------------------	-------------	-----------

28 (cont.)	Engine Code: 'VS461' 8 Cyl, 7.6L / 461 CID, Bore 104.8mm / 4.125", Stroke 109.5mm / 4.312"			28 (cont.)
-----------------------------	---	--	--	-----------------------------

Bearings

Connecting Rod Bearing (Pair)		133825R91	CB-473P	8
Camshaft Bearing Set		448139C93	SH-681S	1

29	Engine Codes: 'V401, VS401' 8 Cyl, 6.6L / 401 CID, Bore 104.8mm / 4.125", Stroke 95.3mm / 3.750"			29
-----------	---	--	--	-----------

Cylinder Components

Ring Set	Gasoline, LPG, Natural Gas, Plasma-Moly Ductile Iron	874897R91	S40801	8
		369671C92 874900R91	S40801.030	
	Gasoline, LPG, Natural Gas, Plasma-Moly Ductile Iron, High Vacuum Operation	446819C92	S41168	8
		446819C92 446822C92	S51168 S51168.030	8

Engine Gaskets

Engine Push Rod Cover Gasket Set		133577R2	PS38272	1
Engine Valve Stem Seal Set	Intake And Exhaust, 8 Per Package, Cost is Per Each Seal	111024R1	B45229	16
Engine Oil Pan Gasket Set		448428C1	OS31571	1
Engine Timing Cover Gasket Set	Contains Sleeve, Material Silicone	1808751C91	SS49745	1

Miscellaneous Gaskets

Fuel Pump Gasket	Material Paper	Exclusive	D27094	1
Engine Coolant Outlet Gasket	Material Paper	Exclusive	C25487•	1

Bearings

Connecting Rod Bearing (Pair)		133825R91	CB-473P	8
Piston Pin Bushing	Requires Boring	133699R1	223-3502	8
Camshaft Bearing Set		448139C93	SH-681S	1

30	Engine Code: 'MV404' 8 Cyl, 6.6L / 404 CID, Bore 104.8mm / 4.125", Stroke 95.3mm / 3.750"			30
-----------	--	--	--	-----------

Cylinder Components

Ring Set	Gasoline, LPG, Natural Gas, Plasma-Moly Ductile Iron	874897R91	S40801	8
		369671C92 874900R91	S40801.030	



PART	NOTES	OE INTERCHANGE NUMBER	PART NUMBER	ORDER QTY
------	-------	-----------------------	-------------	-----------

30 (cont.)	Engine Code: 'MV404' 8 Cyl, 6.6L / 404 CID, Bore 104.8mm / 4.125", Stroke 95.3mm / 3.750"			30 (cont.)
-----------------------	---	--	--	-----------------------

Cylinder Components

Ring Set	Gasoline, LPG, Natural Gas, Plasma-Moly Ductile Iron, High Vacuum Operation	446819C92	S41168	8
		446819C92	S51168	8
		446822C92	S51168.030	

Miscellaneous Gaskets

Fuel Pump Gasket	Material Paper	Exclusive	D27094	1
------------------	----------------	-----------	---------------	---

Bearings

Connecting Rod Bearing (Pair)		446475C1	CB-1230P	8
		446476C1	CB-1230P-10	
		446478C1	CB-1230P-30	
Piston Pin Bushing	Requires Boring	446474C1	223-3584	8
Camshaft Bearing Set		1804475C94	SH-1092S	1

Valve Train & Ancillary

Valve Lifter		433562C1	213-1679•	1
Oil Pump		446455C91	601-1137	1

31	Engine Code: 'RED401' 6 Cyl, 6.6L / 401 CID, Bore 104.8mm / 4.125", Stroke 127.0mm / 5.000"; Including Models A and B			31
-----------	---	--	--	-----------

Engine Gaskets

Engine Valve Stem Seal Set	Intake And Exhaust, 8 Per Package, Cost is Per Each Seal	111024R1	B45229	16
----------------------------	--	----------	---------------	----

Miscellaneous Gaskets

Engine Coolant Outlet Gasket	Material Paper	Exclusive	C25487•	1
------------------------------	----------------	-----------	----------------	---

32	Engine Code: 'FBB401' 6 Cyl, 6.6L / 401 CID, Bore 104.8mm / 4.125", Stroke 127.0mm / 5.000"			32
-----------	---	--	--	-----------

Miscellaneous Gaskets

Engine Coolant Outlet Gasket	Material Paper	Exclusive	C25487•	1
------------------------------	----------------	-----------	----------------	---

33	Engine Code: 'UV461' 8 Cyl, 7.5L / 461 CID, Bore 104.8mm / 4.125", Stroke 109.6mm / 4.313"			33
-----------	--	--	--	-----------

Engine Gaskets

Engine Push Rod Cover Gasket Set		133577R2	PS38272	1
----------------------------------	--	----------	----------------	---



PART	NOTES	OE INTERCHANGE NUMBER	PART NUMBER	ORDER QTY
------	-------	-----------------------	-------------	-----------

33 (cont.)	Engine Code: 'UV461' 8 Cyl, 7.5L / 461 CID, Bore 104.8mm / 4.125", Stroke 109.6mm / 4.313"			33 (cont.)
-----------------------------	--	--	--	-----------------------------

Engine Gaskets

Engine Oil Pan Gasket Set		448428C1	OS31571	1
---------------------------	--	----------	---------	---

Miscellaneous Gaskets

Engine Coolant Outlet Gasket	Material Paper	Exclusive	C25487•	1
------------------------------	----------------	-----------	---------	---

34	Engine Code: 'V400' 8 Cyl, 6.6L / 400 CID, Bore 105.8mm / 4.165", Stroke 92.9mm / 3.656"			34
-----------	--	--	--	-----------

Bearings

Connecting Rod Bearing (Pair)		Exclusive	CB-819P	8
		Exclusive	CB-819P-10	
		Exclusive	CB-819P-20	
		Exclusive	CB-819P-30	
Main Bearing Set		Exclusive	MS-1041P	1
		Exclusive	MS-1041P-10	
		Exclusive	MS-1041P-20	
		Exclusive	MS-1041P-30	
Camshaft Bearing Set		Exclusive	SH-671S	1

35	Engine Code: 'DT408' 6 Cyl, 6.7L / 408 CID, Bore 109.2mm / 4.300", Stroke 118.9mm / 4.680"; PLN Fuel System, Prefix 408G850654-Up			35
-----------	---	--	--	-----------

Cylinder Components

Cylinder Sleeve	Overall Length 239.5MM/9.429"	1815674C1	226-4567	6
Ring Set	3 Ring, 2 Top Rings Keystone, Wide Gap, 2@ 0.125", 1@ 0.157"	1817247C93	S41781	6
Sleeve O-Ring Kit		1822322C93	223-7211	6

Engine Gaskets

Engine Cylinder Head Gasket Set	Valve Stem Seals Not Included	1822328C96	HS54511•	1
Engine Conversion Gasket Set	Contains OE # Oil Pan Gasket 1826587C1	1830374C97 1874865C92	CS54511•	1
In-frame Overhaul Set	Contains OE# 1822328C95 Head Gasket Set And 1826587C1 Oil Pan Gasket	See Note	EK3528	1
Engine Cylinder Head Gasket		1830327C2	54189•	1
Engine Valve Stem Seal Set	To S/N 956463 Intake And Exhaust, 0.565"/0.575" Guide Outside Diameter, For 0.312" Valve Stem Diameter, 6 Per Package	1822245C1	B45913	2



PART	NOTES	OE INTERCHANGE NUMBER	PART NUMBER	ORDER QTY
------	-------	-----------------------	-------------	-----------

35 (cont.)	Engine Code: 'DT408' 6 Cyl, 6.7L / 408 CID, Bore 109.2mm / 4.300", Stroke 118.9mm / 4.680"; PLN Fuel System, Prefix 408G850654-Up			35 (cont.)
-----------------------	---	--	--	-----------------------

Engine Gaskets

Engine Valve Stem Seal Set	S/N 956464-Up Intake And Exhaust, For 0.375" Stem Diameter, 6 Per Package, Cost is Per Each Seal	1823925C1	B45987•	2
Engine Oil Pan Gasket Set		1826587C1	OS32226	1
Engine Timing Cover Gasket Set	Includes Wear Sleeve	690437C95	SS47537•	1
Rear Main Seal		1817867C92	67815	1

Bearings

Connecting Rod Bearing (Pair)		1822389C91	CB-1659P	6
		1822486C91	CB-1659P-10	
		1822487C91	CB-1659P-20	
Main Bearing Set	Standard Set Contains OE# 1822321C91(6) And 1822379C91(1)	See Note	MS-2096P•	1
		See Note	MS-2096P-10	
		See Note	MS-2096P-20	

36	Engine Code: 'DT466' 6 Cyl, 7.6L / 466 CID, Bore 109.2mm / 4.300", Stroke 135.9mm / 5.350"; Model A, B, C, S/N Prefixes 466, 467, 468			36
-----------	---	--	--	-----------

Cylinder Components

Cylinder Sleeve Assembly	To S/N 74999, 15.4:1 CR, 3 Ring, Narrow Gap Ring	687432C91	226-1585	6
	S/N 75000 to 532980 (1st New Generation), 16.5:1 CR, Requires Valve Cover Breather, Wide Gap	1817645C94	226-1919	6
	S/N 75000 to 532980 (1st New Generation), 16.5:1 CR, 4 Ring, Narrow Gap	1817645C94-4R	226-1944	6
Cylinder Sleeve	Includes Seals	1810504C2	226-4448•	6
Piston	To S/N 74999 15.4:1 CR, 3 Ring, Narrow Gap Ring, Uses S41893 Ring Set, Includes Pin and Locks	684255C2	224-2028	6
	S/N 75000 to 532980 (1st New Generation), 16.5:1 CR, 3 Ring, Uses S41781 Ring Set, Includes Pin and Locks	1817520C2	224-3296	6
	S/N 75000 to 532980 (1st New Generation), 16.5:1 CR, 4 Ring, Uses S41839 Ring Set, Includes Pin and Locks	1817520C2-4R	224-3315	6
Ring Set	3 Ring, 2 Top Rings Keystone, Wide Gap, 2@ 0.125", 1@ 0.157"	1817247C93	S41781	6
	4 Ring Piston	1817247C93-4R	S41839	6
	3 Ring, Narrow Gap, 2@ 0.125", 1@ 0.250"	684269C91	S41893	6
	3 Ring, Wide Gap, 2@ 0.125", 1@ 0.250"	1810358C97	S41894	6
Sleeve O-Ring Kit	675774C2 (3)	680086C1	223-7168•	6



PART	NOTES	OE INTERCHANGE NUMBER	PART NUMBER	ORDER QTY
------	-------	-----------------------	-------------	-----------

36 (cont.)	Engine Code: 'DT466' 6 Cyl, 7.6L / 466 CID, Bore 109.2mm / 4.300", Stroke 135.9mm / 5.350"; Model A, B, C, S/N Prefixes 466, 467, 468	36 (cont.)		
-----------------------	---	-----------------------	--	--

Engine Gaskets

Engine Cylinder Head Gasket Set	Consolidated Set	1808973C96 1817254C96 674398C95	HS3872	1
Engine Conversion Gasket Set	Consolidated Set , Front And Rear Crankshaft Seals Not Included	1815668C95 674399C97	CS3872	1
In-frame Overhaul Set	Contains OE#1808973C91 Head Gasket Set And 671827C4 Oil Pan Gasket	See Note	EK3515VR	1
Engine Cylinder Head Gasket		1819547C1	4884	1
Engine Valve Cover Gasket Set	Includes 677692C2 (6) Rocker Cover Grommets	675109C3	VS39756	1
Engine Valve Stem Seal Set	To S/N 594839 Intake And Exhaust, Oil Shield, 12 Per Package, Cost is Per Each Seal	681234C1	B45607	12
	From S/N 594840 Top Hat Design, 12 Per Package	1815374C1	SS45879	1
Engine Intake Manifold Gasket Set		682199C1	MS16223	1
Exhaust Manifold Gasket Set	6 Per Package	349062C1	MS12459•	1
Engine Oil Pan Gasket Set	Contains OE#s: Pan Gasket 671827C4, Pickup Tube Gasket 671821C1, And Oil Suction Tube Gasket 1802867C1	671827C4	OS20550•	1
Engine Timing Cover Gasket Set	Includes Wear Sleeve	690437C95	SS47537•	1
Rear Main Seal Set	Single Lip, Includes Wear Sleeve	1809964C92	SS47866•	1

Miscellaneous Gaskets

Fuel Injection Auxiliary Valve O-ring	DT466 Oil Cooler Seals 3.53MM Outside Diameter, 31.34MM Inside Diameter	252483R1	72218•	4
Engine Coolant Thermostat Gasket Set		675384C1	C31539	1
Fuel Injection Nozzle O-Ring	Engine Set, 6 Per Package	675477C1	GS33490•	1

Bearings

Connecting Rod Bearing (Pair)	From S/N 439619 Performance	1805059HP	CB-1365H	6
		1805060HP	CB-1365H-10	
	From S/N 439619 1.260" Width (Wide)	1808059C92	CB-1365P	6
		1808060C92	CB-1365P-10	
		1808061C92	CB-1365P-20	
		1808062C92	CB-1365P-30	
	To S/N 439618 Performance	681314C3	CB-675H	6
		681315C3	CB-675H-10	
	To S/N 439618 1.200" Width, (Narrow)	681314C2	CB-675P	6
		681315C2	CB-675P-10	



PART	NOTES	OE INTERCHANGE NUMBER	PART NUMBER	ORDER QTY
------	-------	-----------------------	-------------	-----------

36 (cont.)	Engine Code: 'DT466' 6 Cyl, 7.6L / 466 CID, Bore 109.2mm / 4.300", Stroke 135.9mm / 5.350"; Model A, B, C, S/N Prefixes 466, 467, 468			36 (cont.)
-----------------------	---	--	--	-----------------------

Bearings

Connecting Rod Bearing (Pair)		681315C3		
		687382C2 687382C3	CB-675P-20	
		681316C2 681316C3	CB-675P-30	
		Exclusive	CB-675P-40	
Main Bearing Set	To S/N 439618 1.220" (Narrow), Performance	1812847HP	MS-1343H	1
		1812848HP	MS-1343H-10	
	To S/N 439618 1.220" (Narrow), Crank Forging C1 and C2 , Standard Contains 684570C93(6)+684579C92(1), .010" Contains 684573C93(6)+684582C93(1), .020" Contains 687391C3(6)+687394C3(1), .030" Contains 684576C93(6)+684585C93(1)	1823847C91	MS-1343P	1
		1823848C91	MS-1343P-10	
		1823849C91	MS-1343P-20	
		1823850C91	MS-1343P-30	
	From S/N 439619 Performance	1823843HP	MS-1642H•	1
		1823844HP	MS-1642H-10	
	From S/N 439619 1.294" (Wide), Standard Contains 1808069C92(6)+684579C93(1), .010" Contains 1808070C92(6)+684582C93(1), .020" Contains 1808071C92(6)+687394C3(1), .030" Contains 1808072C92(6)+684585C93(1)	1823843C91	MS-1642P•	1
		1823844C91	MS-1642P-10	
		1823845C91	MS-1642P-20	
		1823846C91	MS-1642P-30	
Piston Pin Bushing	1.7255" Outside Diameter, 1.6258" Inside Diameter, 1.390" Length, Requires Machining	675006C2	223-3595•	6
Camshaft Bearing Set	Contains OE#s: 675424C1, 675020C2, 675021C2 And 1830059C1	680117C3	SH-994S	1

Valve Train & Ancillary

Valve (Intake)	1.970" Head Diameter, 5.806" Length, 0.372" Stem, 30° Seat, 1 Groove	675046C4	211-2355•	6
Valve (Exhaust)	1.600" Head Diameter, 5.803" Length, 0.3712" Stem, 45 ° Seat	676865C4	211-2356•	6
Valve Guide (Intake & Exhaust)	To S/N 594839 0.626" Outside Diameter, 0.3745" Inside Diameter, 2.750" Length	675439C1	217-3252	12
	From S/N 594840 0.626" Outside Diameter, 0.3745" Inside Diameter, 2.610" Length	1815264C1	217-4077	12
Valve Seat Insert (Intake)	.002" Oversize, 2.001" Outside Diameter, 1.712" (Tapered) 0.385" Length	671559C1	218-7878	6
Valve Seat Insert (Exhaust)	.002" Oversize, 1.6285 Outside Diameter 1.348" Inside Diameter (Tapered) 0.365" Length	671563C3	218-7877	6

Crankshaft

Crankshaft	Without Gears	675669C93	247-5048	1
	With Gears	675669C92 675669C93	247-5162•	1
Crank Gear		675406C1	8-3315•	1



PART	NOTES	OE INTERCHANGE NUMBER	PART NUMBER	ORDER QTY
------	-------	-----------------------	-------------	-----------

37	Engine Code: 'DT466P' 6 Cyl, 7.6L / 466 CID, Bore 109.2mm / 4.300", Stroke 135.9mm / 5.350"; Turbocharged-Intercooled , S/N Prefix 469G	37		
-----------	--	-----------	--	--

Cylinder Components

Cylinder Sleeve Assembly	To S/N 888340, All Torques & Horsepowers	1822340C96	226-1960	6
	From S/N 888341-Up 175, 190, 210, 230 Standard Torque, 195, 210 High Torque	1824823C92	226-1964	6
	From S/N 888341-Up 230, 250 High Torque	1824820C93	226-2004•	6
Cylinder Sleeve	Overall Length 239.5MM/9.429"	1815674C1	226-4567	6
Piston	To S/N 888340, All Torques & Horsepowers	1822097C92	224-3348	6
	S/N 888341 To 933833, 175, 19, 210, 230 Standard Torque, 195, 210 High Torque	1824810C1	224-3349•	6
	S/N 888341 To 933833, 230, 250 High Torque	1823930	224-3633	6
Ring Set	To S/N 888340 All Horsepowers And All Torques, From S/N 888341-Up 230, 250 High Torque 3 Ring, 2 Top Rings Keystone, Wide Gap, 2@ 0.125", 1@ 0.157"	1817247C93	S41781	6
	From S/N 888341-Up 175, 190, 210, 230 Standard Torque 195, 210 High Torque 3 Ring, Top Ring Keystone, 1@ 0.125, 1@ 0.117, 1@ 0.156"	1825461C92	S41939•	6
Sleeve O-Ring Kit		1822322C93	223-7211	6

Engine Gaskets

Engine Cylinder Head Gasket Set	Valve Stem Seals Not Included	1822328C96	HS54511•	1
Engine Conversion Gasket Set	Contains OE # Oil Pan Gasket 1826587C1	1830374C97 1874865C92	CS54511•	1
In-frame Overhaul Set	Contains OE# 1822328C95 Head Gasket Set And 1826587C1 Oil Pan Gasket	See Note	EK3528	1
Engine Cylinder Head Gasket		1830327C2	54189•	1
Engine Valve Stem Seal Set	To S/N 956463 Intake And Exhaust, 0.565"/0.575" Guide Outside Diameter, For 0.312" Valve Stem Diameter, 6 Per Package	1822245C1	B45913	12
	Intake And Exhaust, For 0.375" Stem Diameter, 6 Per Package, Cost is Per Each Seal	1823925C1	B45987•	12
Engine Oil Pan Gasket Set		1826587C1	OS32226	1
Engine Timing Cover Gasket Set	Includes Wear Sleeve	690437C95	SS47537•	1
Rear Main Seal		1817867C92	67815	1

Bearings

Connecting Rod Bearing (Pair)		1822389C91	CB-1659P	6
		1822486C91	CB-1659P-10	
		1822487C91	CB-1659P-20	
Main Bearing Set	Standard Set Contains OE# 1822321C91(6) And 1822379C91(1)	See Note	MS-2096P•	1
		See Note	MS-2096P-10	



Sealing Products

PART	NOTES	OE INTERCHANGE NUMBER	PART NUMBER	ORDER QTY
------	-------	-----------------------	-------------	-----------

37 (cont.)	Engine Code: 'DT466P' 6 Cyl, 7.6L / 466 CID, Bore 109.2mm / 4.300", Stroke 135.9mm / 5.350"; Turbocharged-Intercooled , S/N Prefix 469G			37 (cont.)
-----------------------------	---	--	--	-----------------------------

Bearings

Main Bearing Set		See Note	MS-2096P-20	
Camshaft Bearing Set	Contains OE#'s: 675424C1, 675020C2, 675021C2 And 1830059C1	680117C3	SH-994S	1

38	Engine Code: 'DT466E' 6 Cyl, 7.6L / 466 CID, Bore 109.2mm / 4.300", Stroke 135.9mm / 5.350"; Turbocharged-Intercooled , S/N Prefix 469H			38
-----------	---	--	--	-----------

Cylinder Components

Cylinder Sleeve Assembly	From S/N 933834-1126948 , 230 Standard Torque 210, 230, 250 High Torque	1824966C92	226-1962	6
	From S/N 980820-1194038 , 175, 190, 210 Standard Torque	1825690C93	226-1963	6
	From S/N 1126949- 1194038 , 230, 250 High Torque	1830565C91	226-2005•	6
Cylinder Sleeve	Overall Length 239.5MM/9.429"	1815674C1	226-4567	6
Piston	From S/N 933834-1126948 , 230 Standard Torque 210, 230, 250 High Torque	1823313C1	224-3350	6
	From S/N 980820-1194038 , 175, 190, 210 Standard Torque	1825585C2	224-3351•	6
	From S/N 1126949- 1194038 , 230, 250 High Torque	1830375	224-3634•	6
Ring Set	From S/N 933834-1126948, 230 Standard Torque 210, 230, 250 High Torque, From S/N 1126949- 1194038, 230, 250 High Torque 3 Ring, 2 Top Rings Keystone, Wide Gap, 2@ 0.125", 1@ 0.157"	1817247C93	S41781	6
	From S/N 980820-1194038, 175, 190, 210 Standard Torque 3 Ring, Top Ring Keystone, 1@ 0.125, 1@ 0.117, 1@ 0.156"	1825461C92	S41939•	6
Sleeve O-Ring Kit		1822322C93	223-7211	6

Engine Gaskets

Engine Cylinder Head Gasket Set		1830720C96 1894141C92	HS54189•	1
		1889245C95 1889245C96	HS54820	1
Engine Conversion Gasket Set		1842663C93	CS54820	1
In-frame Overhaul Set	Covers OE # Head Set 1830720C94 / 1894141C92 And Oil Pan Gasket 1826587C1	See Note	EK3527	1
Engine Cylinder Head Gasket		1830327C2	54189•	1
Engine Valve Cover Gasket Set		1825602C91	VS50517	1



PART	NOTES	OE INTERCHANGE NUMBER	PART NUMBER	ORDER QTY
------	-------	-----------------------	-------------	-----------

38 (cont.)	Engine Code: 'DT466E' 6 Cyl, 7.6L / 466 CID, Bore 109.2mm / 4.300", Stroke 135.9mm / 5.350"; Turbocharged-Intercooled , S/N Prefix 469H	38 (cont.)
-----------------------	---	-----------------------

Engine Gaskets

Engine Valve Stem Seal Set	Intake And Exhaust, For 0.375" Stem Diameter, 6 Per Package, Cost is Per Each Seal	1823925C1	B45987•	12
Engine Intake Manifold Gasket		1845023C1	G32524	1
		1842033C1	MS19839	1
Exhaust Manifold Gasket Set		1886793C2	MS19838	1
Engine Oil Pan Gasket Set		1826587C1	OS32226	1
	Contains 1836197C1 Oil Pan Gasket, 1841296C1 Gasket Oil Suction Tube, 1814695C1 O-Ring	See Note	OS32403	1
Engine Timing Cover Gasket Set		1842662C91	JV5160	1
	Includes Wear Sleeve	690437C95	SS47537•	1
Rear Main Seal		1817867C92	67815	1
		1841938C1	67938	1

Miscellaneous Gaskets

Turbocharger Mounting Gasket Set		1842623C96	GS33641	1
EGR Valve Gasket		1842351C1	G32527	1
Exhaust Manifold Heat Exchanger Gasket		1842126C91	GS33644	1
Turbocharger Gasket		1833007C1	G32525	1
Engine Oil Cooler Gasket Set		1842124C91	GS33643•	1
Engine Oil Cooler Seal		1842382C2	G32526•	1
Fuel Injector Seal Kit	Services One Injector	1842624C92	GS33640	6
		1842626C96	GS33642	1

Bearings

Connecting Rod Bearing (Pair)	To S/N 1194038	1822389C91	CB-1659P	6
		1822486C91	CB-1659P-10	
		1822487C91	CB-1659P-20	
	S/N 1194039 And Up	1842570C92	CB-1847P	6
		1842900C92	CB-1847P-10	
1842901C92		CB-1847P-20		
Main Bearing Set	To S/N 1194038 Standard Set Contains OE# 1822321C91(6) And 1822379C91(1)	See Note	MS-2096P•	1
		See Note	MS-2096P-10	
		See Note	MS-2096P-20	
	S/N 1194039 And Up Standard Set Contains OE# 1830725C91(6) and 1830726C91 (1)	See Note	MS-2252P	1
		See Note	MS-2252P-10	
		See Note	MS-2252P-20	
Camshaft Bearing Set	Contains OE#s: 675424C1, 675020C2, 675021C2 And 1830059C1	680117C3	SH-994S	1



PART	NOTES	OE INTERCHANGE NUMBER	PART NUMBER	ORDER QTY
------	-------	-----------------------	-------------	-----------

38 (cont.)	Engine Code: 'DT466E' 6 Cyl, 7.6L / 466 CID, Bore 109.2mm / 4.300", Stroke 135.9mm / 5.350"; Turbocharged-Intercooled , S/N Prefix 469H			38 (cont.)
-----------------------	---	--	--	-----------------------

Valve Train & Ancillary

Valve (Intake)	To S/N 1194038 1.786" Head Diameter, 5.992" Length, 0.3722" Stem Diameter, 30° Seat	1823875C3	211-4155	6
	S/N 1194039 And Up 1.970" Head Diameter, 5.992" Length, 0.3722" Stem Diameter, 30° Seat	1826471C2 1842913C1	211-4292•	6
Valve (Exhaust)	1.786" Head Diameter, 5.992" Length, 0.3714" Stem Diameter, 45° Seat	1824840C1	211-4154	6
Valve Guide (Intake & Exhaust)	0.626" Outside Diameter, 0.3745" Inside Diameter, 2.610" Length	1815264C1	217-4077	12

Turbochargers

Turbocharger		1825632C91 1825632C93	144 TC 21003 000•	1
--------------	--	--------------------------	-------------------	---

39	Engine Code: 'RD450' 6 Cyl, 7.4L / 451 CID, Bore 111.1mm / 4.375", Stroke 127.0mm / 5.000"; Gasoline, LPG			39
-----------	---	--	--	-----------

Engine Gaskets

Engine Valve Stem Seal Set	Intake And Exhaust, 8 Per Package, Cost is Per Each Seal	111024R1	B45229	8
----------------------------	--	----------	--------	---

Miscellaneous Gaskets

Engine Coolant Outlet Gasket	Material Paper	Exclusive	C25487•	1
------------------------------	----------------	-----------	---------	---

40	Engine Code: 'RD406' 6 Cyl, 6.7L / 406 CID, Bore 111.1mm / 4.375", Stroke 114.3mm / 4.500"; Gasoline, LPG, Natural Gas			40
-----------	--	--	--	-----------

Engine Gaskets

Engine Valve Stem Seal Set	Intake And Exhaust, 8 Per Package, Cost is Per Each Seal	111024R1	B45229	8
----------------------------	--	----------	--------	---

Miscellaneous Gaskets

Engine Coolant Outlet Gasket	Material Paper	Exclusive	C25487•	1
------------------------------	----------------	-----------	---------	---

41	Engine Code: 'RED450' 6 Cyl, 7.4L / 450 CID, Bore 111.1mm / 4.375", Stroke 127.0mm / 5.000"; Include A Model			41
-----------	--	--	--	-----------

Engine Gaskets

Engine Valve Stem Seal Set	Intake And Exhaust, 8 Per Package, Cost is Per Each Seal	111024R1	B45229	8
----------------------------	--	----------	--------	---



PART	NOTES	OE INTERCHANGE NUMBER	PART NUMBER	ORDER QTY
------	-------	-----------------------	-------------	-----------

41 (cont.)	Engine Code: 'RED450' 6 Cyl, 7.4L / 450 CID, Bore 111.1mm / 4.375", Stroke 127.0mm / 5.000"; Include A Model			41 (cont.)
-----------------------	---	--	--	-----------------------

Miscellaneous Gaskets

Engine Coolant Outlet Gasket	Material Paper	Exclusive	C25487•	1
------------------------------	----------------	-----------	---------	---

42	Engine Code: 'RD372' 6 Cyl, 6.1L / 372 CID, Bore 111.1mm / 4.375", Stroke 104.8mm / 4.125"; Gasoline, LPG			42
-----------	--	--	--	-----------

Engine Gaskets

Engine Valve Stem Seal Set	Intake And Exhaust, 8 Per Package, Cost is Per Each Seal	111024R1	B45229	8
----------------------------	--	----------	--------	---

Miscellaneous Gaskets

Engine Coolant Outlet Gasket	Material Paper	Exclusive	C25487•	1
------------------------------	----------------	-----------	---------	---

43	Engine Code: 'FBB450' 6 Cyl, 7.4L / 450 CID, Bore 111.1mm / 4.375", Stroke 126.7mm / 4.990"			43
-----------	--	--	--	-----------

Miscellaneous Gaskets

Engine Coolant Outlet Gasket	Material Paper	Exclusive	C25487•	1
------------------------------	----------------	-----------	---------	---

44	Engine Codes: 'D150, D170, D190' 8 Cyl, 9.0L / 549 CID, Bore 114.3mm / 4.500", Stroke 109.6mm / 4.313"			44
-----------	---	--	--	-----------

Engine Gaskets

Engine Push Rod Cover Gasket Set		133577R2	PS38272	1
Engine Valve Stem Seal Set	Intake And Exhaust, 8 Per Package, Cost is Per Each Seal	111024R1	B45229	16
Engine Oil Pan Gasket Set		448428C1	OS31571	1
Engine Timing Cover Gasket Set	Contains Sleeve, Material Silicone	1808751C91	SS49745	1
Rear Main Seal	Includes Wear Sleeve	317749C92	SS61197•	1

Miscellaneous Gaskets

Fuel Pump Gasket	Material Paper	Exclusive	D27094	1
------------------	----------------	-----------	--------	---

Bearings

Main Bearing Set		480842C91	MS-883P	1
		480843C91	MS-883P-10	
		480844C92	MS-883P-20	
Camshaft Bearing Set		448139C93	SH-681S	1



PART	NOTES	OE INTERCHANGE NUMBER	PART NUMBER	ORDER QTY
------	-------	-----------------------	-------------	-----------

45	Engine Code: 'VS549' 8 Cyl, 9.0L / 549 CID, Bore 114.3mm / 4.500", Stroke 109.6mm / 4.313"; Gasoline, LPG			45
-----------	---	--	--	-----------

Engine Gaskets

Engine Push Rod Cover Gasket Set		133577R2	PS38272	1
Engine Valve Stem Seal Set	Intake And Exhaust, 8 Per Package, Cost is Per Each Seal	111024R1	B45229	16
Engine Oil Pan Gasket Set		448428C1	OS31571	1
Engine Timing Cover Gasket Set	Contains Sleeve, Material Silicone	1808751C91	SS49745	1

Miscellaneous Gaskets

Fuel Pump Gasket	Material Paper	Exclusive	D27094	1
Engine Coolant Outlet Gasket	Material Paper	Exclusive	C25487*	1

Bearings

Connecting Rod Bearing (Pair)		133825R91	CB-473P	8
Piston Pin Bushing	Requires Boring	133699R1	223-3502	8
Camshaft Bearing Set		448139C93	SH-681S	1

46	Engine Codes: 'FTV549, FTVS549' 8 Cyl, 9.0L / 549 CID, Bore 114.3mm / 4.500", Stroke 109.6mm / 4.313"			46
-----------	---	--	--	-----------

Engine Gaskets

Engine Push Rod Cover Gasket Set		133577R2	PS38272	1
Engine Valve Stem Seal Set	Intake And Exhaust, 8 Per Package, Cost is Per Each Seal	111024R1	B45229	16
Engine Oil Pan Gasket Set		448428C1	OS31571	1
Engine Timing Cover Gasket Set	Contains Sleeve, Material Silicone	1808751C91	SS49745	1

Miscellaneous Gaskets

Fuel Pump Gasket	Material Paper	Exclusive	D27094	1
Engine Coolant Outlet Gasket	Material Paper	Exclusive	C25487*	1

Bearings

Connecting Rod Bearing (Pair)		133825R91	CB-473P	8
Piston Pin Bushing	Requires Boring	133699R1	223-3502	8
Camshaft Bearing Set		448139C93	SH-681S	1



* For our latest product offerings go to <http://catalog.mahle-aftermarket.com/us/>

PART	NOTES	OE INTERCHANGE NUMBER	PART NUMBER	ORDER QTY
------	-------	-----------------------	-------------	-----------

47	Engine Code: 'VS478' 8 Cyl, 7.8L / 478 CID, Bore 114.3mm / 4.500", Stroke 95.3mm / 3.750"	47		
-----------	---	-----------	--	--

Engine Gaskets

Engine Push Rod Cover Gasket Set		133577R2	PS38272	1
Engine Valve Stem Seal Set	Intake And Exhaust, 8 Per Package, Cost is Per Each Seal	111024R1	B45229	16
Engine Oil Pan Gasket Set		448428C1	OS31571	1
Engine Timing Cover Gasket Set	Contains Sleeve, Material Silicone	1808751C91	SS49745	1

Miscellaneous Gaskets

Fuel Pump Gasket	Material Paper	Exclusive	D27094	1
Engine Coolant Outlet Gasket	Material Paper	Exclusive	C25487•	1

Bearings

Connecting Rod Bearing (Pair)		133825R91	CB-473P	8
Piston Pin Bushing	Requires Boring	133699R1	223-3502	8
Camshaft Bearing Set		448139C93	SH-681S	1

48	Engine Code: 'V478' 8 Cyl, 7.8L / 478 CID, Bore 114.3mm / 4.500", Stroke 95.3mm / 3.750"	48		
-----------	--	-----------	--	--

Engine Gaskets

Engine Push Rod Cover Gasket Set		133577R2	PS38272	1
Engine Valve Stem Seal Set	Intake And Exhaust, 8 Per Package, Cost is Per Each Seal	111024R1	B45229	16
Engine Oil Pan Gasket Set		448428C1	OS31571	1
Engine Timing Cover Gasket Set	Contains Sleeve, Material Silicone	1808751C91	SS49745	1

Miscellaneous Gaskets

Fuel Pump Gasket	Material Paper	Exclusive	D27094	1
Engine Coolant Outlet Gasket	Material Paper	Exclusive	C25487•	1

Bearings

Connecting Rod Bearing (Pair)		133825R91	CB-473P	8
Piston Pin Bushing	Requires Boring	133699R1	223-3502	8
Camshaft Bearing Set		448139C93	SH-681S	1



PART	NOTES	OE INTERCHANGE NUMBER	PART NUMBER	ORDER QTY
------	-------	-----------------------	-------------	-----------

49	Engine Code: 'DVT573' 8 Cyl, 9.4L / 573 CID, Bore 114.3mm / 4.500", Stroke 114.3mm / 4.500"	49
-----------	---	-----------

Turbochargers

Turbocharger		684698C91 691059C91	144 TC 21005 000	1
--------------	--	------------------------	------------------	---

50	Engine Code: ' 9.0L' 8 Cyl, 9.0L / 550 CID, Bore 114.6mm / 4.510", Stroke 109.6mm / 4.313"	50
-----------	--	-----------

Cylinder Components

Ring Set	Keystone Top Ring	434466C93	S41416•	8
		434467C93	S41416.010	

Engine Gaskets

Engine Push Rod Cover Gasket Set		133577R2	PS38272	1
Engine Valve Stem Seal Set	Intake And Exhaust, 8 Per Package, Cost is Per Each Seal	111024R1	B45229	16
Engine Oil Pan Gasket Set		448428C1	OS31571	1
Engine Timing Cover Gasket Set	Contains Sleeve, Material Silicone	1808751C91	SS49745	1
Rear Main Seal	Includes Wear Sleeve	317749C92	SS61197•	1

Bearings

Connecting Rod Bearing (Pair)		1700248C92	CB-1266P	8
		1700702C92	CB-1266P-10	
		1700703C92	CB-1266P-20	
		1700704C92	CB-1266P-30	
Main Bearing Set		480842C91	MS-883P	1
		480843C91	MS-883P-10	
		480844C92	MS-883P-20	
Camshaft Bearing Set		448139C93	SH-681S	1

Valve Train & Ancillary

Valve Guide		428046C1	217-3325	1
-------------	--	----------	-----------------	---

51	Engine Codes: 'DV550, DV550B' 8 Cyl, 9.0L / 549 CID, Bore 114.6mm / 4.512", Stroke 109.6mm / 4.313"	51
-----------	---	-----------

Engine Gaskets

Engine Push Rod Cover Gasket Set		133577R2	PS38272	1
Engine Valve Stem Seal Set	Intake And Exhaust, 8 Per Package, Cost is Per Each Seal	111024R1	B45229	16
Engine Oil Pan Gasket Set		448428C1	OS31571	1



PART	NOTES	OE INTERCHANGE NUMBER	PART NUMBER	ORDER QTY
------	-------	-----------------------	-------------	-----------

51 (cont.)	Engine Codes: 'DV550, DV550B' 8 Cyl, 9.0L / 549 CID, Bore 114.6mm / 4.512", Stroke 109.6mm / 4.313"			51 (cont.)
-----------------------	--	--	--	-----------------------

Engine Gaskets

Engine Timing Cover Gasket Set	Contains Sleeve, Material Silicone	1808751C91	SS49745	1
Engine Timing Cover Gasket		348714C1	T30646	1
Rear Main Seal	Includes Wear Sleeve	317749C92	SS61197•	1

Miscellaneous Gaskets

Fuel Pump Gasket	Material Paper	Exclusive	D27094	1
------------------	----------------	-----------	--------	---

Bearings

Main Bearing Set		480842C91	MS-883P	1
		480843C91	MS-883P-10	
		480844C92	MS-883P-20	
Camshaft Bearing Set		448139C93	SH-681S	1

Valve Train & Ancillary

Valve Lock		41339D	216-5144•	16
------------	--	--------	-----------	----

52	Engine Code: 'I530' 6 Cyl, 8.7L / 530 CID, Bore 116.5mm / 4.587", Stroke 135.9mm / 5.350"; Turbocharged, 530G S/N Prefix, PLN Fuel System			52
-----------	--	--	--	-----------

Cylinder Components

Cylinder Sleeve Assembly	S/N Prefix 530H, S/N 981120 To 1194038, All Below 300 Horsepower	1825547C97	226-2068•	6
Cylinder Sleeve	Overall Length 239.497MM/6.444", Late 1 O-Ring Groove	1888652C91	226-4580	6
Piston	S/N 981120 To 1194038, All Below 300 Horsepower	1825593C1	224-3766•	6
Ring Set		1822337C91	S42122	6
		1830723C92	S42123	6
Sleeve O-Ring Kit		1822322C93	223-7211	6

Engine Gaskets

Engine Cylinder Head Gasket Set		1830720C96 1894141C92	HS54189•	1
Engine Conversion Gasket Set	Contains OE # Oil Pan Gasket 1826587C1	1830374C97 1874865C92	CS54511•	1
Engine Cylinder Head Gasket		1830327C2	54189•	1
Engine Valve Cover Gasket Set		1825602C91	VS50517	1
Engine Valve Stem Seal Set	Intake And Exhaust, For 0.375" Stem Diameter, 6 Per Package, Cost is Per Each Seal	1823925C1	B45987•	12
Engine Oil Pan Gasket Set		1826587C1	OS32226	1
Engine Timing Cover Gasket Set	Includes Wear Sleeve	690437C95	SS47537•	1



PART	NOTES	OE INTERCHANGE NUMBER	PART NUMBER	ORDER QTY
------	-------	-----------------------	-------------	-----------

52 (cont.)	Engine Code: 'I530' 6 Cyl, 8.7L / 530 CID, Bore 116.5mm / 4.587", Stroke 135.9mm / 5.350"; Turbocharged, 530G S/N Prefix, PLN Fuel System			52 (cont.)
-----------------------	---	--	--	-----------------------

Engine Gaskets

Rear Main Seal		1817867C92	67815	1
----------------	--	------------	-------	---

Miscellaneous Gaskets

Fuel Injector Seal Kit	Services One Injector	1842624C92	GS33640	6
Fuel Injection Nozzle O-Ring		1833564C92	GS33440•	6

Bearings

Connecting Rod Bearing (Pair)		1822389C91	CB-1659P	6
		1822486C91	CB-1659P-10	
		1822487C91	CB-1659P-20	
Main Bearing Set	Standard Set Contains OE# 1822321C91(6) And 1822379C91(1)	See Note	MS-2096P•	1
		See Note	MS-2096P-10	
		See Note	MS-2096P-20	
Camshaft Bearing Set	Contains OE#'s: 675424C1, 675020C2, 675021C2 And 1830059C1	680117C3	SH-994S	1

Valve Train & Ancillary

Valve (Intake)	1.786" Head Diameter, 5.992" Length, 0.3722" Stem Diameter, 30° Seat	1823875C3	211-4155	6
Valve (Exhaust)	1.786" Head Diameter, 5.992" Length, 0.3714" Stem Diameter, 45° Seat	1824840C1	211-4154	6
Valve Guide (Intake & Exhaust)	0.626" Outside Diameter, 0.3745" Inside Diameter, 2.610" Length	1815264C1	217-4077	12

Turbochargers

Turbocharger		1826344C91	144 TC 21002 000	1
		1826344C93		
		1826344C92	144 TC 21102 000•	1
		2506782C91		

53	Engine Code: 'DT570, HT570' 6 Cyl, 9.3L / 570 CID, Bore 116.5mm / 4.587", Stroke 146.1mm / 5.752"; Turbocharged-Aftercooled, S/N Prefix 570H Below S/N 2000000			53
-----------	--	--	--	-----------

Cylinder Components

Cylinder Sleeve	Overall Length 239.497MM/6.444", Late 1 O-Ring Groove	1888652C91	226-4580	6
-----------------	---	------------	----------	---

Engine Gaskets

Engine Conversion Gasket Set		1842663C93	CS54820	1
Engine Cylinder Head Gasket		1833028C1	54820	1
Engine Valve Stem Seal Set	Intake And Exhaust	1889589C1	B46046	24



PART	NOTES	OE INTERCHANGE NUMBER	PART NUMBER	ORDER QTY
------	-------	-----------------------	-------------	-----------

53 (cont.)	Engine Code: 'DT570, HT570' 6 Cyl, 9.3L / 570 CID, Bore 116.5mm / 4.587", Stroke 146.1mm / 5.752"; Turbocharged-Aftercooled, S/N Prefix 570H Below S/N 2000000			53 (cont.)
-----------------------	--	--	--	-----------------------

Engine Gaskets

Engine Intake Manifold Gasket		1845023C1	G32524	1
Rear Main Seal		1841938C1	67938	1

Miscellaneous Gaskets

EGR Valve Gasket		1842351C1	G32527	1
Turbocharger Gasket		1833007C1	G32525	1
Engine Oil Cooler Seal		1842382C2	G32526•	1

Bearings

Connecting Rod Bearing (Pair)		1842570C92	CB-1847P	6
		1842900C92	CB-1847P-10	
		1842901C92	CB-1847P-20	
Main Bearing Set	Standard Set Contains OE# 1842566C92 (6) And 1842567C92 (1)	See Note	MS-2320P•	1
		See Note	MS-2320P-10	

Turbochargers

Turbocharger		1842337C94 1870932C94	144 TC 21008 000•	1
--------------	--	--------------------------	-------------------	---

54	Engine Code: 'DT530E' 6 Cyl, 8.7L / 530 CID, Bore 116.6mm / 4.590", Stroke 135.9mm / 5.350"; Turbocharged, S/N Prefixes 530H and 531H to 2000000, HEUI Fuel System			54
-----------	--	--	--	-----------

Cylinder Components

Cylinder Sleeve Assembly	S/N Prefix 531H, S/N 1194039 to 2000000, All Below 275 Horsepower	1830715C98	226-2067•	6
	S/N Prefix 530H, S/N 981120 To 1194038, All Below 300 Horsepower	1825547C97	226-2068•	6
Cylinder Sleeve	Overall Length 239.497MM/6.444", Late 1 O-Ring Groove	1888652C91	226-4580	6
Piston	S/N 1194039 to 2000000, All Below 275 Horsepower	1830532C3	224-3724	6
	S/N 981120 To 1194038, All Below 300 Horsepower	1825593C1	224-3766•	6
Ring Set		1822337C91	S42122	6
		1830723C92	S42123	6
Piston Pin	46.355mm/1.825" OD 23.596mm/0.929" ID 96.799mm/3.811 Length	1874253C1	223-1931•	6
Sleeve O-Ring Kit		1822322C93	223-7211	6

Engine Gaskets

Engine Cylinder Head Gasket Set		1830720C96 1894141C92	HS54189•	1
Engine Conversion Gasket Set	Contains OE # Oil Pan Gasket 1826587C1	1830374C97 1874865C92	CS54511•	1
In-frame Overhaul Set	Covers OE # Head Set 1830720C94 / 1894141C92 And Oil Pan Gasket 1826587C1	See Note	EK3527	1



PART	NOTES	OE INTERCHANGE NUMBER	PART NUMBER	ORDER QTY
------	-------	-----------------------	-------------	-----------

54 (cont.)	Engine Code: 'DT530E' 6 Cyl, 8.7L / 530 CID, Bore 116.6mm / 4.590", Stroke 135.9mm / 5.350"; Turbocharged, S/N Prefixes 530H and 531H to 2000000, HEUI Fuel System			54 (cont.)
-----------------------	--	--	--	-----------------------

Engine Gaskets

Engine Timing Cover Gasket Set	Includes Wear Sleeve	690437C95	SS47537•	1
Rear Main Seal		1817867C92	67815	1

Bearings

Connecting Rod Bearing (Pair)	To S/N 1194038	1822389C91	CB-1659P	6
		1822486C91	CB-1659P-10	
		1822487C91	CB-1659P-20	
	S/N 1194039 And Up	1842570C92	CB-1847P	6
		1842900C92	CB-1847P-10	
		1842901C92	CB-1847P-20	
Main Bearing Set	To S/N 1194038 Standard Set Contains OE# 1822321C91(6) And 1822379C91(1)	See Note	MS-2096P•	1
		See Note	MS-2096P-10	
		See Note	MS-2096P-20	
	S/N 1194039 And Up Standard Set Contains OE# 1830725C91(6) and 1830726C91 (1)	See Note	MS-2252P	1
		See Note	MS-2252P-10	
		See Note	MS-2252P-20	

55	Engine Code: 'Maxxforce 9' 6 Cyl, 9.3L / 570 CID, Bore 116.6mm / 4.590", Stroke 146.1mm / 5.750"; Turbocharged-Intercooled			55
-----------	--	--	--	-----------

Cylinder Components

Sleeve O-Ring Kit		1822322C93	223-7211	6
--------------------------	--	------------	-----------------	---

Engine Gaskets

Engine Conversion Gasket Set		1842663C93	CS54820	1
Engine Oil Pan Gasket Set	Contains 1836197C1 Oil Pan Gasket, 1841296C1 Gasket Oil Suction Tube, 1814695C1 O-Ring	See Note	OS32403	1
Engine Timing Cover Gasket Set		1842662C91	JV5160	1
Rear Main Seal		1841938C1	67938	1

Miscellaneous Gaskets

Turbocharger Mounting Gasket Set		1842623C96	GS33641	1
Exhaust Manifold Heat Exchanger Gasket		1842126C91	GS33644	1
Engine Oil Cooler Gasket Set		1842124C91	GS33643•	1
Fuel Injector Seal Kit	Services One Injector	1842624C92	GS33640	6
		1842626C96	GS33642	1



PART	NOTES	OE INTERCHANGE NUMBER	PART NUMBER	ORDER QTY
------	-------	-----------------------	-------------	-----------

55 (cont.)	Engine Code: 'Maxxforce 9' 6 Cyl, 9.3L / 570 CID, Bore 116.6mm / 4.590", Stroke 146.1mm / 5.750"; Turbocharged-Intercooled			55 (cont.)
-----------------------	--	--	--	-----------------------

Bearings

Connecting Rod Bearing (Pair)		1842570C92	CB-1847P	6
		1842900C92	CB-1847P-10	
		1842901C92	CB-1847P-20	
Main Bearing Set	Standard Set Contains OE# 1842566C92 (6) And 1842567C92 (1)	See Note	MS-2320P•	1
		See Note	MS-2320P-10	
Camshaft Bearing Set	Includes OE#'s: 675424C1, 1842054C1(2), And 1842053C1	1875869C92	SH-2195S•	1

56	Engine Code: 'DT466E' 6 Cyl, 7.6L / 466 CID, Bore 116.6mm / 4.590", Stroke 118.9mm / 4.680"; Turbocharged, S/N Prefix 470 1194039 - 2000000			56
-----------	---	--	--	-----------

Cylinder Components

Cylinder Sleeve Assembly	S/N 1194039 To 2,000,000, 230, 250 Standard Torque, 230, 250 High Torque	1836299C96 1836299C97	226-2065	6
	S/N 1194039 to 2,000,000, 215, 195, 215 Standard Torque, 195, 215 High Torque	1836192C98	226-2066	6
Cylinder Sleeve	Overall Length 239.497MM/6.444", Late 1 O-Ring Groove	1888652C91	226-4580	6
Piston	S/N 1194039 To 2,000,000, 230, 250 Standard Torque, 230, 250 High Torque	1833092C2	224-3722•	6
	S/N 1194039 to 2,000,000, 215, 195, 215 Standard Torque, 195, 215 High Torque	1836321C2	224-3723	6
Ring Set		1830723C92	S42123	6
		1830724C92	S42124	6
Piston Pin	46.355mm/1.825" OD 23.596mm/0.929" ID 96.799mm/ 3.811 Length	1874253C1	223-1931•	6
Sleeve O-Ring Kit		1822322C93	223-7211	6

Engine Gaskets

Engine Cylinder Head Gasket Set		1830720C96 1894141C92	HS54189•	1
Engine Conversion Gasket Set	Contains OE # Oil Pan Gasket 1826587C1	1830374C97 1874865C92	CS54511•	1
In-frame Overhaul Set	Covers OE # Head Set 1830720C94 / 1894141C92 And Oil Pan Gasket 1826587C1	See Note	EK3527	1
Engine Cylinder Head Gasket		1830327C2	54189•	1
Engine Valve Cover Gasket Set		1825602C91	VS50517	1
Engine Valve Stem Seal Set	Intake And Exhaust, 0.565"/0.575" Guide Outside Diameter, For 0.312" Valve Stem Diameter, 6 Per Package	1822245C1	B45913	2
	Intake And Exhaust, For 0.375" Stem Diameter, 6 Per Package, Cost is Per Each Seal	1823925C1	B45987•	2



PART	NOTES	OE INTERCHANGE NUMBER	PART NUMBER	ORDER QTY
------	-------	-----------------------	-------------	-----------

56 (cont.)	Engine Code: 'DT466E' 6 Cyl, 7.6L / 466 CID, Bore 116.6mm / 4.590", Stroke 118.9mm / 4.680"; Turbocharged, S/N Prefix 470 1194039 - 2000000			56 (cont.)
-----------------------	--	--	--	-----------------------

Engine Gaskets

Engine Oil Pan Gasket Set		1826587C1	OS32226	1
Engine Timing Cover Gasket Set	Includes Wear Sleeve	690437C95	SS47537•	1
Rear Main Seal		1817867C92	67815	1

Miscellaneous Gaskets

Fuel Injector Seal Kit	Services One Injector	1842624C92	GS33640	6
Fuel Injection Auxiliary Valve O-ring	DT466 Oil Cooler Seals 3.53MM Outside Diameter, 31.34MM Inside Diameter	252483R1	72218•	4
Fuel Injection Nozzle O-Ring		1833564C92	GS33440•	6

Bearings

Connecting Rod Bearing (Pair)	To S/N 1194038	1822389C91	CB-1659P	6
		1822486C91	CB-1659P-10	
		1822487C91	CB-1659P-20	
	S/N 1194039 And Up	1842570C92	CB-1847P	6
		1842900C92	CB-1847P-10	
		1842901C92	CB-1847P-20	
Main Bearing Set	To S/N 1194038 Standard Set Contains OE# 1822321C91(6) And 1822379C91(1)	See Note	MS-2096P•	1
		See Note	MS-2096P-10	
		See Note	MS-2096P-20	
	S/N 1194039 And Up Standard Set Contains OE# 1830725C91(6) and 1830726C91 (1)	See Note	MS-2252P	1
		See Note	MS-2252P-10	
		See Note	MS-2252P-20	
Camshaft Bearing Set	Contains OE#'s: 675424C1, 675020C2, 675021C2 And 1830059C1	680117C3	SH-994S	1

Valve Train & Ancillary

Valve (Exhaust)	1.786" Head Diameter, 5.992" Length, 0.3714" Stem Diameter, 45° Seat	1824840C1	211-4154	6
Valve Guide (Intake & Exhaust)	0.626" Outside Diameter, 0.3745" Inside Diameter, 2.610" Length	1815264C1	217-4077	12

57	Engine Code: 'Maxxforce 10' 6 Cyl, 9.3L / 570 CID, Bore 117.0mm / 4.606", Stroke 146.0mm / 5.748"			57
-----------	---	--	--	-----------

Cylinder Components

Sleeve O-Ring Kit		1822322C93	223-7211	6
Engine Gaskets				
Engine Conversion Gasket Set		1842663C93	CS54820	1



PART	NOTES	OE INTERCHANGE NUMBER	PART NUMBER	ORDER QTY
------	-------	-----------------------	-------------	-----------

57 (cont.)	Engine Code: 'Maxxforce 10' 6 Cyl, 9.3L / 570 CID, Bore 117.0mm / 4.606", Stroke 146.0mm / 5.748"	57 (cont.)		
-----------------------------	---	-----------------------------	--	--

Engine Gaskets

Engine Oil Pan Gasket Set	Contains 1836197C1 Oil Pan Gasket, 1841296C1 Gasket Oil Suction Tube, 1814695C1 O-Ring	See Note	OS32403	1
Engine Timing Cover Gasket Set		1842662C91	JV5160	1
Rear Main Seal		1841938C1	67938	1

Miscellaneous Gaskets

Turbocharger Mounting Gasket Set		1842623C96	GS33641	1
Exhaust Manifold Heat Exchanger Gasket		1842126C91	GS33644	1
Engine Oil Cooler Gasket Set		1842124C91	GS33643•	1
Fuel Injector Seal Kit	Services One Injector	1842624C92	GS33640	6
		1842626C96	GS33642	1

Bearings

Connecting Rod Bearing (Pair)		1842570C92	CB-1847P	6
		1842900C92	CB-1847P-10	
		1842901C92	CB-1847P-20	
Main Bearing Set	Standard Set Contains OE# 1842566C92 (6) And 1842567C92 (1)	See Note	MS-2320P•	1
		See Note	MS-2320P-10	
Camshaft Bearing Set	Includes OE#'s: 675424C1, 1842054C1(2), And 1842053C1	1875869C92	SH-2195S•	1

58	Engine Code: 'V605' 8 Cyl, 9.9L / 605 CID, Bore 117.5mm / 4.625", Stroke 114.3mm / 4.500"	58		
-----------	---	-----------	--	--

Engine Gaskets

Engine Push Rod Cover Gasket Set		133577R2	PS38272	1
Engine Oil Pan Gasket Set		448428C1	OS31571	1
Engine Timing Cover Gasket Set	Contains Sleeve, Material Silicone	1808751C91	SS49745	1
Rear Main Seal	Includes Wear Sleeve	317749C92	SS61197•	1

Miscellaneous Gaskets

Fuel Pump Gasket	Material Paper	Exclusive	D27094	1
------------------	----------------	-----------	--------	---

Bearings

Main Bearing Set		480842C91	MS-883P	1
		480843C91	MS-883P-10	
		480844C92	MS-883P-20	
Camshaft Bearing Set		448139C93	SH-681S	1



PART	NOTES	OE INTERCHANGE NUMBER	PART NUMBER	ORDER QTY
------	-------	-----------------------	-------------	-----------

58 (cont.)	Engine Code: 'V605' 8 Cyl, 9.9L / 605 CID, Bore 117.5mm / 4.625", Stroke 114.3mm / 4.500"			58 (cont.)
-----------------------	---	--	--	-----------------------

Valve Train & Ancillary

Valve Seat Insert	1.9375" ID, 2.2555" OD, 0.1875" Depth, 45° Seat	See Note	218-7881	1
--------------------------	---	----------	-----------------	---

59	Engine Code: 'V537' 8 Cyl, 8.8L / 537 CID, Bore 117.5mm / 4.625", Stroke 101.6mm / 4.000"			59
-----------	---	--	--	-----------

Engine Gaskets

Engine Push Rod Cover Gasket Set		133577R2	PS38272	1
Engine Oil Pan Gasket Set		448428C1	OS31571	1
Engine Timing Cover Gasket Set	Contains Sleeve, Material Silicone	1808751C91	SS49745	1
Rear Main Seal	Includes Wear Sleeve	317749C92	SS61197•	1

Miscellaneous Gaskets

Fuel Pump Gasket	Material Paper	Exclusive	D27094	1
-------------------------	----------------	-----------	---------------	---

Bearings

Main Bearing Set		480842C91	MS-883P	1
		480843C91	MS-883P-10	
		480844C92	MS-883P-20	
Camshaft Bearing Set		448139C93	SH-681S	1

Valve Train & Ancillary

Valve Seat Insert	1.9375" ID, 2.2555" OD, 0.1875" Depth, 45° Seat	See Note	218-7881	1
--------------------------	---	----------	-----------------	---

60	Engine Codes: 'DV800, DVT800' 8 Cyl, 13.1L / 798 CID, Bore 135.0mm / 5.313", Stroke 114.3mm / 4.500"; Turbocharged			60
-----------	--	--	--	-----------

Bearings

Connecting Rod Bearing (Pair)		337265R11	CB-685P•	8
--------------------------------------	--	-----------	-----------------	---

NAVISTAR CYLINDER SLEEVE ASSEMBLY COMPONENT INTERCHANGES

MAHLE

Bore	Part No.	OE Interchange Number	Qty
4.010	226-1830		
Cylinder Sleeve:	226-4541	1809935C4	1
Sleeve O-Ring Kit:	223-7191	1809938C1	1
Piston:	224-3262	1809912C2	1
Ring Set:	S41515	1809919C91	1

Bore	Part No.	OE Interchange Number	Qty
4.010	226-1966		
Cylinder Sleeve:	226-4541	1809935C4	1
Sleeve O-Ring Kit:	223-7191	1809938C1	1
Piston:	224-3352	1817178C2	1
Ring Set:	S41938	1817251C91	1

Bore	Part No.	OE Interchange Number	Qty
4.010	226-2071		
Cylinder Sleeve:	226-4585	1809935C4	1
Sleeve O-Ring Kit:	223-7191	1809938C1	1
Piston:	224-3352	1817178C2	1
Ring Set:	S41938	1817251C91	1

Bore	Part No.	OE Interchange Number	Qty
4.300	226-1585		
Cylinder Sleeve:	226-4448	1810504C2	1
Sleeve O-Ring Kit:	223-7168	680086C1	1
Piston:	224-2028	684255C2	1
Ring Set:	S41893	684269C91	1

Bore	Part No.	OE Interchange Number	Qty
4.300	226-1919		
Cylinder Sleeve:	226-4448	1810504C2	1
Sleeve O-Ring Kit:	223-7168	680086C1	1
Piston:	224-3296	1817520C2	1
Ring Set:	S41768	1830949C92	1

Bore	Part No.	OE Interchange Number	Qty
4.300	226-1944		
Cylinder Sleeve:	226-4448	1810504C2	1
Sleeve O-Ring Kit:	223-7168	680086C1	1
Piston:	224-3315	1817520C2-4R	1
Ring Set:	S41839	1817247C93-4 R	1

Bore	Part No.	OE Interchange Number	Qty
4.300	226-1960		
Cylinder Sleeve:	226-4567	1815674C1	1
Sleeve O-Ring Kit:	223-7211	1822322C93	1
Piston:	224-3348	1822097C92	1
Ring Set:	S41781	1817247C93	1

Bore	Part No.	OE Interchange Number	Qty
4.300	226-1962		
Cylinder Sleeve:	226-4567	1815674C1	1
Sleeve O-Ring Kit:	223-7211	1822322C93	1
Piston:	224-3350	1823313C1	1
Ring Set:	S41781	1817247C93	1

Bore	Part No.	OE Interchange Number	Qty
4.300	226-1963		
Cylinder Sleeve:	226-4567	1815674C1	1
Sleeve O-Ring Kit:	223-7211	1822322C93	1
Piston:	224-3351	1825585C2	1
Ring Set:	S41939	1825461C92	1

Bore	Part No.	OE Interchange Number	Qty
4.300	226-1964		
Cylinder Sleeve:	226-4567	1815674C1	1
Sleeve O-Ring Kit:	223-7211	1822322C93	1
Piston:	224-3349	1824810C1	1
Ring Set:	S41939	1825461C92	1

Bore	Part No.	OE Interchange Number	Qty
4.300	226-2004		
Cylinder Sleeve:	226-4567	1815674C1	1
Sleeve O-Ring Kit:	223-7211	1822322C93	1
Piston:	224-3633	1823930	1
Ring Set:	S41781	1817247C93	1

Bore	Part No.	OE Interchange Number	Qty
4.300	226-2005		
Cylinder Sleeve:	226-4567	1815674C1	1
Sleeve O-Ring Kit:	223-7211	1822322C93	1
Piston:	224-3634	1830375	1
Ring Set:	S41781	1817247C93	1

Bore	Part No.	OE Interchange Number	Qty
4.590	226-2065		
Cylinder Sleeve:	226-4580	1888652C91	1
Sleeve O-Ring Kit:	223-7211	1822322C93	1
Piston:	224-3722	1833092C2	1
Ring Set:	S42123	1830723C92	1

Bore	Part No.	OE Interchange Number	Qty
4.590	226-2066		
Cylinder Sleeve:	226-4580	1888652C91	1
Sleeve O-Ring Kit:	223-7211	1822322C93	1
Piston:	224-3723	1836321C2	1
Ring Set:	S42124	1830724C92	1

MAHLE
ORIGINAL



VICTOR REINZ
Sealing Products

NAVISTAR CYLINDER SLEEVE ASSEMBLY COMPONENT INTERCHANGES

MAHLE

Bore	Part No.	OE Interchange Number	Qty
4.590 226-2067			
Cylinder Sleeve:	226-4580	1888652C91	1
Sleeve O-Ring Kit:	223-7211	1822322C93	1
Piston:	224-3724	1830532C3	1
Ring Set:	S42123	1830723C92	1
4.590 226-2068			
Cylinder Sleeve:	226-4580	1888652C91	1
Sleeve O-Ring Kit:	223-7211	1822322C93	1
Piston:	224-3766	1825593C1	1
Ring Set:	S42122	1822337C91	1

Model	No. Cyls.	Liter	CID	Bore (mm)	Bore (IN)	Stroke (mm)	Stroke (IN)	Line No.
DC 11.04	6	10.6		127.0	5.000	139.7	5.5	1
DC 12.01	6	11.7		127.0	5.000	154.0	6.1	2
DC 12.02	6	11.7		127.0	5.000	154.0	6.1	2
DC 12.03	6	11.7		127.0	5.000	154.0	6.1	2
DC 12.09	6	11.7		127.0	5.000	154.0	6.1	2

PART	NOTES	OE INTERCHANGE NUMBER	PART NUMBER	ORDER QTY
1	DC 11 Series 6 Cyl, 10.6L, Bore 127.0mm / 5.000", Stroke 139.7mm / 5.500"			1
Cylinder Components				
Ring Set		550254	S42117•	6
Turbochargers				
Turbocharger		3597660 3597661	061 TC 31101 000	1
2	Engine Codes: 'DC 12.01, DC 12.02, DC 12.03, DC 12.09' 6 Cyl, 11.7L, Bore 127.0mm / 5.000", Stroke 154.0mm / 6.063"			2
Cylinder Components				
Cylinder Sleeve Assembly		1782414	226-2029	6
Ring Set		550254	S42117•	6
Bearings				
Connecting Rod Bearing (Pair)		550494	CB-1886P•	6
Main Bearing Set		1363056	MS-2278P	1

Model	No. Cyls.	Liter	CID	Bore (mm)	Bore (IN)	Stroke (mm)	Stroke (IN)	Line No.
D12A 340	6	12.1	740	131.0	5.157	150.0	5.9	3
D12A 380	6	12.1	740	131.0	5.157	150.0	5.9	3
D12A 420	6	12.1	740	131.0	5.157	150.0	5.9	3
D12C 345	6	12.1	740	131.0	5.157	150.0	5.9	5
D12C 385	6	12.1	740	131.0	5.157	150.0	5.9	5
D12C 425	6	12.1	740	131.0	5.157	150.0	5.9	5
D12C 465	6	12.1	740	131.0	5.157	150.0	5.9	5
D12D 365	6	12.1	740	131.0	5.157	150.0	5.9	1
D12D 395	6	12.1	740	131.0	5.157	150.0	5.9	1
D12D 425	6	12.1	740	131.0	5.157	150.0	5.9	1
D12D 435	6	12.1	740	131.0	5.157	150.0	5.9	1
D12D 465	6	12.1	740	131.0	5.157	150.0	5.9	1
D13F 335	6	12.8	781	131.0	5.157	158.0	6.2	2
D13F 375	6	12.8	781	131.0	5.157	158.0	6.2	2
D13F 405	6	12.8	781	131.0	5.157	158.0	6.2	2
D13F 425	6	12.8	781	131.0	5.157	158.0	6.2	2
D13F 435	6	12.8	781	131.0	5.157	158.0	6.2	2
D13F 485	6	12.8	781	131.0	5.157	158.0	6.2	2
DH12D 340	6	12.1	740	131.0	5.157	150.0	5.9	4

LINE #	NOTES	PART DESCRIPTION	OVERHAUL	QTY	IN-FRAME	QTY
1	Engine Codes: 'D12D 365, D12D 395, D12D 425, D12D 435, D12D 465'					1
6 Cyl, 12.1L / 740 CID, Bore 131.0mm / 5.157", Stroke 150.0mm / 5.906"						
1.1	Contains OE# 20521943 Sleeve Assembly OE Main Bearing Number(s) 205 309 16 OE Rod Bearing Number(s) 276 134	Kit Number	480-1025		480-5025	
		Cylinder Sleeve Assembly	226-2098	6	226-2098	6
		Main Bearing Set	MS-2338P	1	MS-2338P	1
		Undersizes	P-25MM-50MM		P-25MM-50MM	
		Connecting Rod Bearing (Pair)	CB-1885P	6	CB-1885P	6
		Undersizes	P-25MM-50MM		P-25MM-50MM	
		Thrust Washer Set	TW-717S	1	TW-717S	1
		Camshaft Bearing Set	SH-2126S	1	SH-2126S	1
		Engine Cylinder Head Gasket Set	HS54637A	1	HS54637A	1
		Thermostat, heavy duty	THD 1 82	1	THD 1 82	1
		Optional	THD 1 86	1	THD 1 86	1
		Engine Conversion Gasket Set / Engine Oil Pan Gasket Set	CS54637B	1	OS32295	1
		Optional			OS32452	1

2	Engine Codes: 'D13F 335, D13F 375, D13F 405, D13F 425, D13F 435, D13F 485'					2
6 Cyl, 12.8L / 781 CID, Bore 131.0mm / 5.157", Stroke 158.0mm / 6.220"; Turbocharged						
2.1	EPA07 Engine Contains OE# 20928630 Sleeve Assembly For Cast Steel Oil Pan OE Main Bearing Number(s) 205 309 16 OE Rod Bearing Number(s) 205 805 58	Kit Number			480-5021	
		Cylinder Sleeve Assembly			226-2092	6
		Main Bearing Set			MS-2338P	1
		Undersizes			P-25MM-50MM	
		Connecting Rod Bearing Set			CB-1963AP(6)	1
		Undersizes			P-25MM(6)-50MM(6)	
		Thrust Washer Set			TW-717S	1
		Engine Cylinder Head Gasket Set			HS54894	1
		Engine Oil Pan Gasket Set			OS32430	1

LINE #	NOTES	PART DESCRIPTION	OVERHAUL	QTY	IN-FRAME	QTY
3	Engine Codes: 'D12A 340, D12A 380, D12A 420'					3
6 Cyl, 12.1L / 740 CID, Bore 131.0mm / 5.157", Stroke 150.0mm / 5.906"						
3.1	Contains OE# 85113639 Sleeve Assembly OE Main Bearing Number(s) 205 309 16 OE Rod Bearing Number(s) 276 134	Kit Number	480-1015		480-5015	
		Cylinder Sleeve Assembly	226-2027	6	226-2027	6
		Main Bearing Set	MS-2338P	1	MS-2338P	1
		Undersizes	P-25MM-50MM		P-25MM-50MM	
		Connecting Rod Bearing (Pair)	CB-1885P	6	CB-1885P	6
		Undersizes	P-25MM-50MM		P-25MM-50MM	
		Thrust Washer Set	TW-717S	1	TW-717S	1
		Engine Cylinder Head Gasket Set	HS54637	1	HS54637	1
		Engine Conversion Gasket Set / Engine Oil Pan Gasket Set	CS54637	1	OS32295	1

4	Engine Code: 'DH12D 340'					4
6 Cyl, 12.1L / 740 CID, Bore 131.0mm / 5.157", Stroke 150.0mm / 5.906"						
4.1	Contains OE# 20521949 Sleeve Assembly OE Main Bearing Number(s) 205 309 16 OE Rod Bearing Number(s) 276 134	Kit Number	480-1016		480-5016	
		Cylinder Sleeve Assembly	226-2028	6	226-2028	6
		Main Bearing Set	MS-2338P	1	MS-2338P	1
		Undersizes	P-25MM-50MM		P-25MM-50MM	
		Connecting Rod Bearing (Pair)	CB-1885P	6	CB-1885P	6
		Undersizes	P-25MM-50MM		P-25MM-50MM	
		Thrust Washer Set	TW-717S	1	TW-717S	1
		Engine Cylinder Head Gasket Set	HS54637A	1	HS54637A	1
		Engine Conversion Gasket Set / Engine Oil Pan Gasket Set	CS54637A	1	OS32295	1

LINE #	NOTES	PART DESCRIPTION	OVERHAUL	QTY	IN-FRAME	QTY
5	Engine Codes: 'D12C 345, D12C 385, D12C 425, D12C 465'					5
	6 Cyl, 12.1L / 740 CID, Bore 131.0mm / 5.157", Stroke 150.0mm / 5.906"					
5.1	Contains OE# 20509931 Sleeve Assembly	Kit Number	480-1024		480-5024	
		Cylinder Sleeve Assembly	226-2073	6	226-2073	6
	OE Main Bearing Number(s) 205 309 16	Main Bearing Set	MS-2338P	1	MS-2338P	1
	OE Rod Bearing Number(s) 276 134	Undersizes	P-25MM-50MM		P-25MM-50MM	
		Connecting Rod Bearing (Pair)	CB-1885P	6	CB-1885P	6
		Undersizes	P-25MM-50MM		P-25MM-50MM	
		Thrust Washer Set	TW-717S	1	TW-717S	1
		Camshaft Bearing Set	SH-2126S	1	SH-2126S	1
		Engine Cylinder Head Gasket Set	HS54637A	1	HS54637A	1
		Engine Conversion Gasket Set / Engine Oil Pan Gasket Set	CS54637B	1	OS32295	1
		Thermostat, heavy duty	THD 1 82	1	THD 1 82	1
		Optional	THD 1 86	1	THD 1 86	1

Model	No. Cyls.	Liter	CID	Bore (mm)	Bore (IN)	Stroke (mm)	Stroke (IN)	Line No.	Model	No. Cyls.	Liter	CID	Bore (mm)	Bore (IN)	Stroke (mm)	Stroke (IN)	Line No.
D12A 310	6	12.1	740	131.0	5.157	150.0	5.9	11	TID 121 LG	6	12.0	732	130.2	5.125	.0	.0	1
D12A 335	6	12.1	740	131.0	5.157	150.0	5.9	11	TID 121 LGP	6	12.0	732	130.2	5.125	.0	.0	1
D12A 340	6	12.1	740	131.0	5.157	150.0	5.9	7	TID 121 LP	6	12.0	732	130.2	5.125	.0	.0	1
D12A 370	6	12.1	740	131.0	5.157	150.0	5.9	11	TID 121 LPB	6	12.0	732	130.2	5.125	.0	.0	1
D12A 380	6	12.1	740	131.0	5.157	150.0	5.9	7	TID 121 P	6	12.0	732	130.2	5.125	.0	.0	1
D12A 415	6	12.1	740	131.0	5.157	150.0	5.9	11									
D12A 420	6	12.1	740	131.0	5.157	150.0	5.9	7									
D12B 345	6	12.1	740	131.0	5.157	150.0	5.9	4									
D12B 385	6	12.1	740	131.0	5.157	150.0	5.9	4									
D12B 425	6	12.1	740	131.0	5.157	150.0	5.9	4									
D12C 340	6	12.1	740	131.0	5.158	150.0	5.9	3									
D12C 345	6	12.1	740	131.0	5.157	150.0	5.9	13									
D12C 380	6	12.1	740	131.0	5.157	150.0	5.9	3									
D12C 385	6	12.1	740	131.0	5.157	150.0	5.9	13									
D12C 420	6	12.1	740	131.0	5.157	150.0	5.9	3									
D12C 425	6	12.1	740	131.0	5.157	150.0	5.9	13									
D12C 460	6	12.1	740	131.0	5.157	150.0	5.9	3									
D12C 465	6	12.1	740	131.0	5.157	150.0	5.9	13									
D12D 340	6	12.1	740	131.0	5.157	150.0	5.9	12									
D12D 365	6	12.1	740	131.0	5.157	150.0	5.9	10									
D12D 380	6	12.1	740	131.0	5.157	150.0	5.9	12									
D12D 395	6	12.1	740	131.0	5.157	150.0	5.9	10									
D12D 420	6	12.1	740	131.0	5.157	150.0	5.9	12									
D12D 425	6	12.1	740	131.0	5.157	150.0	5.9	10									
D12D 435	6	12.1	740	131.0	5.157	150.0	5.9	10									
D12D 460	6	12.1	740	131.0	5.157	150.0	5.9	12									
D12D 465	6	12.1	740	131.0	5.157	150.0	5.9	10									
D12D 500	6	12.1	740	131.0	5.157	150.0	5.9	5									
D13A 480	6	12.8	781	131.0	5.157	158.0	6.2	2									
D13A 520	6	12.8	781	131.0	5.157	158.0	6.2	2									
D13F 335	6	12.8	781	131.0	5.157	158.0	6.2	8									
D13F 375	6	12.8	781	131.0	5.157	158.0	6.2	8									
D13F 405	6	12.8	781	131.0	5.157	158.0	6.2	8									
D13F 425	6	12.8	781	131.0	5.157	158.0	6.2	8									
D13F 435	6	12.8	781	131.0	5.157	158.0	6.2	8									
D13F 485	6	12.8	781	131.0	5.157	158.0	6.2	8									
DH12D 340	6	12.1	740	131.0	5.157	150.0	5.9	6									
DH12E 340	6	12.1	740	131.0	5.157	150.0	5.9	9									
TID 121 B	6	12.0	732	130.2	5.125	.0	.0	1									
TID 121 KG	6	12.0	732	130.2	5.125	.0	.0	1									
TID 121 KGP	6	12.0	732	130.2	5.125	.0	.0	1									
TID 121 KPB	6	12.0	732	130.2	5.125	.0	.0	1									

PART	NOTES	OE INTERCHANGE NUMBER	PART NUMBER	ORDER QTY
------	-------	-----------------------	-------------	-----------

1	Engine Codes: 'TID 121 B, TID 121 KG, TID 121 KGP, TID 121 KP, TID 121 KPB, TID 121 LG, TID 121 LGP, TID 121 LP, TID 121 LPB, TID 121 P' 6 Cyl, 12.0L / 732 CID, Bore 130.2mm / 5.125", Stroke .0mm / .000"	1
----------	--	----------

Cylinder Components

Cylinder Sleeve Assembly		876 189	226-2087	6
--------------------------	--	---------	----------	---

2	Engine Codes: 'D13A 480, D13A 520' 6 Cyl, 12.8L / 781 CID, Bore 131.0mm / 5.157", Stroke 158.0mm / 6.220"	2
----------	--	----------

Cylinder Components

Cylinder Sleeve Assembly		212 096 50	226-2091	6
Cylinder Sleeve		207 602 35	226-4622•	6
Piston		211 051 77	224-3858•	6
Piston (Bare)		211 051 77	224-3858X	6
Ring Set		20747511 21253763	S42231	6
Sleeve O-Ring Kit		270950	223-7222	6

Engine Gaskets

Engine Cylinder Head Bolt Set	38 Per Package	1 547 419	GS33689	1
Engine Valve Stem Seal Set	24 Per Package	20 864 662	SS46065	1
Engine Oil Pan Gasket Set	For Cast Steel Oil Pan	21 293 367	OS32430•	1

Bearings

Connecting Rod Bearing Set		205 805 58	CB-1963AP(6)	1
		207 119 63	CB-1963AP-.25MM(6)	
		207 119 64	CB-1963AP-.50MM(6)	
Main Bearing Set		205 309 16	MS-2338P•	1
		205 786 24	MS-2338P-.25MM	
		205 786 25	MS-2338P-.50MM	
Thrust Washer Set	4 Per Package	212 678 44	TW-717S	1

Valve Train & Ancillary

Valve (Intake)		207 407 98	211-4307•	12
Valve (Exhaust)		207 685 19	211-4308•	12

3	Engine Codes: 'D12C 340, D12C 380, D12C 420, D12C 460' 6 Cyl, 12.1L / 740 CID, Bore 131.0mm / 5.157", Stroke 150.0mm / 5.906"	3
----------	--	----------

Cylinder Components

Cylinder Sleeve		204 985 44	226-4623•	6
Cylinder Sleeve (Bare)		204 985 44	226-4623X	6

PART	NOTES	OE INTERCHANGE NUMBER	PART NUMBER	ORDER QTY
3 (cont.)	Engine Codes: 'D12C 340, D12C 380, D12C 420, D12C 460' 6 Cyl, 12.1L / 740 CID, Bore 131.0mm / 5.157", Stroke 150.0mm / 5.906"			3 (cont.)
Cylinder Components				
Ring Set		205 099 32 276 949	S42119	6
Sleeve O-Ring Kit		270950	223-7222	6
Engine Gaskets				
Engine Cylinder Head Gasket Set	Contains Valve Stem Seals, Contains OE# 3 093 504 Manifold Gasket Kit	20 710 242	HS54637A	1
Engine Conversion Gasket Set	Contains Crankshaft Seal	20 710 309	CS54637B	1
Engine Cylinder Head Gasket		3 099 100	54637	1
Engine Cylinder Head Bolt Set	38 Per Package	1 547 419	GS33689	1
Engine Valve Cover Gasket Set	Contains OE# 8 170 116 Valve Cover Gasket	20 710 235	VS50457	1
Engine Valve Stem Seal Set	Mexico Market Only, Intake And Exhaust, 100 pack	20 459 855 859 171	B45984	1
	12 Per Package, Intake And Exhaust	20 459 855 859 171	SS46059	2
Intake and Exhaust Manifolds Combination Gasket		3 093 504	MS19472	1
Engine Oil Pan Gasket Set	For Sheet Steel Oil Pan	1 547 562	OS32295	1
Rear Main Seal		1 543 896	67804	1
Bearings				
Connecting Rod Bearing (Pair)		276 134	CB-1885P	6
		276 135	CB-1885P-.25MM	
		276 136	CB-1885P-.50MM	
Main Bearing Set		205 309 16	MS-2338P•	1
		205 786 24	MS-2338P-.25MM	
		205 786 25	MS-2338P-.50MM	
Thrust Washer Set	4 Per Package	212 678 44	TW-717S	1
Piston Pin Bushing		20381185	223-3694	6
Camshaft Bearing Set	Contains OE#: (1) 205 032 00 and (6) 276 630	205 032 00 276 630	SH-2126S	1
Valve Train & Ancillary				
Valve (Intake)		154 749 2 316 949 0	211-4291	12
Valve (Exhaust)		814 857 4	211-4290	12
Filters				
Spin-on oil filter		21707134 466634	OC 121	1

PART	NOTES	OE INTERCHANGE NUMBER	PART NUMBER	ORDER QTY
------	-------	-----------------------	-------------	-----------

3 (cont.)	Engine Codes: 'D12C 340, D12C 380, D12C 420, D12C 460' 6 Cyl, 12.1L / 740 CID, Bore 131.0mm / 5.157", Stroke 150.0mm / 5.906"	3 (cont.)
----------------------------	--	----------------------------

Filters

Spin-on oil filter	By-Pass Filter	21707132 477556	OC 282	1
	Long Life	21707133 478736	OC 370	2
Spin-on fuel filter		420799 8193841	KC 75	1

Cooling and Climatization

Thermostat, heavy duty	82° Celcius	8 149 182 1	THD 1 82	1
------------------------	-------------	-------------	----------	---

4	Engine Codes: 'D12B 345, D12B 385, D12B 425' 6 Cyl, 12.1L / 740 CID, Bore 131.0mm / 5.157", Stroke 150.0mm / 5.906"	4
----------	--	----------

Cylinder Components

Ring Set		205 099 32 276 949	S42119	6
Sleeve O-Ring Kit		270950	223-7222	6

Engine Gaskets

Engine Cylinder Head Gasket Set	Contains Valve Stem Seals, Contains Valve Cover Gasket OE# 1 547 594	276 875	HS54637	1
Engine Conversion Gasket Set	Contains Crankshaft Seal	276 888	CS54637	1
Engine Cylinder Head Gasket		3 099 100	54637	1
Engine Cylinder Head Bolt Set	38 Per Package	1 547 419	GS33689	1
Engine Valve Cover Gasket Set	Contains Grommets	1 547 594	VS50456	1
Engine Valve Stem Seal Set	Mexico Market Only, Intake And Exhaust, 100 pack	20 459 855 859 171	B45984	1
	12 Per Package, Intake And Exhaust	20 459 855 859 171	SS46059	2
Intake and Exhaust Manifolds Combination Gasket		276 930	MS19471	1
Engine Oil Pan Gasket Set	For Sheet Steel Oil Pan	1 547 562	OS32295	1
Rear Main Seal		1 543 896	67804	1

Bearings

Connecting Rod Bearing (Pair)		276 134	CB-1885P	6
		276 135	CB-1885P-.25MM	
		276 136	CB-1885P-.50MM	
Main Bearing Set		205 309 16	MS-2338P•	1
		205 786 24	MS-2338P-.25MM	

PART	NOTES	OE INTERCHANGE NUMBER	PART NUMBER	ORDER QTY
------	-------	-----------------------	-------------	-----------

4 (cont.) Engine Codes: 'D12B 345, D12B 385, D12B 425'
6 Cyl, 12.1L / 740 CID, Bore 131.0mm / 5.157", Stroke 150.0mm / 5.906"

4 (cont.)

Bearings

Main Bearing Set		205 786 25	MS-2338P-.50MM	
Thrust Washer Set	4 Per Package	212 678 44	TW-717S	1
Piston Pin Bushing		20381185	223-3694	6
Camshaft Bearing Set	Contains OE#: (1) 205 032 00 and (6) 276 630	205 032 00 276 630	SH-2126S	1

Valve Train & Ancillary

Valve (Intake)		154 749 2 316 949 0	211-4291	12
Valve (Exhaust)		814 857 4	211-4290	12

Filters

Spin-on oil filter		21707134 466634	OC 121	1
	By-Pass Filter	21707132 477556	OC 282	1
Spin-on fuel filter		420799 8193841	KC 75	1

Cooling and Climatization

Thermostat, heavy duty	82° Celcius	8 149 182 1	THD 1 82	1
	86° Celcius	8 149 186	THD 1 86	1

5 Engine Code: 'D12D 500'
6 Cyl, 12.1L / 740 CID, Bore 131.0mm / 5.157", Stroke 150.0mm / 5.906"

5

Cylinder Components

Cylinder Sleeve		204 985 44	226-4623•	6
Cylinder Sleeve (Bare)		204 985 44	226-4623X	6
Ring Set		205 099 32 276 949	S42119	6
Sleeve O-Ring Kit		270950	223-7222	6

Engine Gaskets

Engine Cylinder Head Gasket Set	Contains Valve Stem Seals, Contains OE# 3 093 504 Manifold Gasket Kit	20 710 242	HS54637A	1
Engine Cylinder Head Gasket		3 099 100	54637	1
Engine Cylinder Head Bolt Set	38 Per Package	1 547 419	GS33689	1
Engine Valve Cover Gasket Set	Contains OE# 8 170 116 Valve Cover Gasket	20 710 235	VS50457	1
Engine Valve Stem Seal Set	Mexico Market Only, Intake And Exhaust, 100 pack	20 459 855 859 171	B45984	1

PART	NOTES	OE INTERCHANGE NUMBER	PART NUMBER	ORDER QTY
------	-------	-----------------------	-------------	-----------

5 (cont.)	Engine Code: 'D12D 500' 6 Cyl, 12.1L / 740 CID, Bore 131.0mm / 5.157", Stroke 150.0mm / 5.906"			5 (cont.)
----------------------------	--	--	--	----------------------------

Engine Gaskets

Engine Valve Stem Seal Set	12 Per Package, Intake And Exhaust	20 459 855 859 171	SS46059	2
Intake and Exhaust Manifolds Combination Gasket		3 093 504	MS19472	1
Engine Oil Pan Gasket Set	For Sheet Steel Oil Pan	1 547 562	OS32295	1
	For Plastic Oil Pan	20 532 272 8 130 106	OS32452	1

Bearings

Connecting Rod Bearing (Pair)		276 134	CB-1885P	6
		276 135	CB-1885P-.25MM	
		276 136	CB-1885P-.50MM	
Main Bearing Set		205 309 16	MS-2338P•	1
		205 786 24	MS-2338P-.25MM	
		205 786 25	MS-2338P-.50MM	
Thrust Washer Set	4 Per Package	212 678 44	TW-717S	1
Camshaft Bearing Set	Contains OE#: (1) 205 032 00 and (6) 276 630	205 032 00 276 630	SH-2126S	1

Filters

Spin-on oil filter		21707134 466634	OC 121	1
	By-Pass Filter	21707132 477556	OC 282	1
	Long Life	21707133 478736	OC 370	2
Spin-on fuel filter		20976003	KC 251	1

6	Engine Code: 'DH12D 340' 6 Cyl, 12.1L / 740 CID, Bore 131.0mm / 5.157", Stroke 150.0mm / 5.906"			6
----------	---	--	--	----------

Cylinder Components

Cylinder Sleeve Assembly		205 219 49	226-2028	6
Cylinder Sleeve		204 985 44	226-4623•	6
Cylinder Sleeve (Bare)		204 985 44	226-4623X	6
Piston		20872333	224-3860WR	6
Ring Set		205 099 32 276 949	S42119	6
Sleeve O-Ring Kit		270950	223-7222	6

PART	NOTES	OE INTERCHANGE NUMBER	PART NUMBER	ORDER QTY
------	-------	-----------------------	-------------	-----------

6
(cont.)

Engine Code: 'DH12D 340'
6 Cyl, 12.1L / 740 CID, Bore 131.0mm / 5.157", Stroke 150.0mm / 5.906"

6
(cont.)

Engine Gaskets

Engine Cylinder Head Gasket Set	Contains Valve Stem Seals, Contains OE# 3 093 504 Manifold Gasket Kit	20 710 242	HS54637A	1
Engine Conversion Gasket Set	Contains Crankshaft Seal	20 710 309	CS54637A	1
Engine Cylinder Head Gasket		3 099 100	54637	1
Engine Cylinder Head Bolt Set	38 Per Package	1 547 419	GS33689	1
Engine Valve Cover Gasket Set	Contains OE# 8 170 116 Valve Cover Gasket	20 710 235	VS50457	1
Engine Valve Stem Seal Set	Mexico Market Only, Intake And Exhaust, 100 pack	20 459 855 859 171	B45984	1
	12 Per Package, Intake And Exhaust	20 459 855 859 171	SS46059	2
Intake and Exhaust Manifolds Combination Gasket		3 093 504	MS19472	1
Rear Main Seal		1 543 896	67804	1

Bearings

Connecting Rod Bearing (Pair)		276 134	CB-1885P	6
		276 135	CB-1885P-.25MM	
		276 136	CB-1885P-.50MM	
Main Bearing Set		205 309 16	MS-2338P•	1
		205 786 24	MS-2338P-.25MM	
		205 786 25	MS-2338P-.50MM	
Thrust Washer Set	4 Per Package	212 678 44	TW-717S	1
Camshaft Bearing Set	Contains OE#: (1) 205 032 00 and (6) 276 630	205 032 00 276 630	SH-2126S	1

Filters

Spin-on oil filter	By-Pass Filter	21707132 477556	OC 282	1
	Long Life	21707133 478736	OC 370	2

7

Engine Codes: 'D12A 340, D12A 380, D12A 420'
6 Cyl, 12.1L / 740 CID, Bore 131.0mm / 5.157", Stroke 150.0mm / 5.906"

7

Cylinder Components

Cylinder Sleeve Assembly		851 136 39	226-2027	6
Ring Set		205 099 32 276 949	S42119	6
Sleeve O-Ring Kit		270950	223-7222	6

PART	NOTES	OE INTERCHANGE NUMBER	PART NUMBER	ORDER QTY
------	-------	-----------------------	-------------	-----------

7 (cont.)	Engine Codes: 'D12A 340, D12A 380, D12A 420' 6 Cyl, 12.1L / 740 CID, Bore 131.0mm / 5.157", Stroke 150.0mm / 5.906"			7 (cont.)
----------------------	--	--	--	----------------------

Engine Gaskets

Engine Cylinder Head Gasket Set	Contains Valve Stem Seals, Contains Valve Cover Gasket OE# 1 547 594	276 875	HS54637	1
Engine Conversion Gasket Set	Contains Crankshaft Seal	276 888	CS54637	1
Engine Cylinder Head Gasket		3 099 100	54637	1
Engine Cylinder Head Bolt Set	38 Per Package	1 547 419	GS33689	1
Engine Valve Cover Gasket Set	Contains Grommets	1 547 594	VS50456	1
Engine Valve Stem Seal Set	Mexico Market Only, Intake And Exhaust, 100 pack	20 459 855 859 171	B45984	1
	12 Per Package, Intake And Exhaust	20 459 855 859 171	SS46059	2
Intake and Exhaust Manifolds Combination Gasket		276 930	MS19471	1
Engine Oil Pan Gasket Set	For Sheet Steel Oil Pan	1 547 562	OS32295	1
Rear Main Seal		1 543 896	67804	1

Bearings

Connecting Rod Bearing (Pair)		276 134	CB-1885P	6
		276 135	CB-1885P-.25MM	
		276 136	CB-1885P-.50MM	
Main Bearing Set		205 309 16	MS-2338P•	1
		205 786 24	MS-2338P-.25MM	
		205 786 25	MS-2338P-.50MM	
Thrust Washer Set	4 Per Package	212 678 44	TW-717S	1
Piston Pin Bushing		20381185	223-3694	6
Camshaft Bearing Set	Contains OE#: (1) 205 032 00 and (6) 276 630	205 032 00 276 630	SH-2126S	1

Valve Train & Ancillary

Valve (Intake)		154 749 2 316 949 0	211-4291	12
Valve (Exhaust)		814 857 4	211-4290	12

Filters

Spin-on oil filter		21707134 466634	OC 121	1
	By-Pass Filter	21707132 477556	OC 282	1
	Long Life	21707133 478736	OC 370	2
Spin-on fuel filter		420799 8193841	KC 75	1

PART	NOTES	OE INTERCHANGE NUMBER	PART NUMBER	ORDER QTY
------	-------	-----------------------	-------------	-----------

7 (cont.) Engine Codes: 'D12A 340, D12A 380, D12A 420'
6 Cyl, 12.1L / 740 CID, Bore 131.0mm / 5.157", Stroke 150.0mm / 5.906"

7 (cont.)

Cooling and Climatization

Thermostat, heavy duty	82° Celcius	8 149 182 1	THD 1 82	1
	86° Celcius	8 149 186	THD 1 86	1

8 Engine Codes: 'D13F 335, D13F 375, D13F 405, D13F 425, D13F 435, D13F 485'
6 Cyl, 12.8L / 781 CID, Bore 131.0mm / 5.157", Stroke 158.0mm / 6.220"; Turbocharged, EPA07

8

Cylinder Components

Cylinder Sleeve Assembly		20928630	226-2092•	6
Cylinder Sleeve		207 602 35	226-4622•	6
Piston		21041800	224-3859•	6
Piston (Bare)		21041800	224-3859X•	6
Ring Set		20747511 21253763	S42231	6
Sleeve O-Ring Kit		270950	223-7222	6

Engine Gaskets

Engine Cylinder Head Gasket Set		21 409 435	HS54894	1
Engine Cylinder Head Bolt Set	38 Per Package	1 547 419	GS33689	1
Engine Valve Stem Seal Set	24 Per Package	20 864 662	SS46065	1
Engine Oil Pan Gasket Set	For Cast Steel Oil Pan	21 293 367	OS32430•	1

Bearings

Connecting Rod Bearing Set		205 805 58	CB-1963AP(6)	1
		207 119 63	CB-1963AP-.25MM(6)	
		207 119 64	CB-1963AP-.50MM(6)	
Main Bearing Set		205 309 16	MS-2338P•	1
		205 786 24	MS-2338P-.25MM	
		205 786 25	MS-2338P-.50MM	
Thrust Washer Set	4 Per Package	212 678 44	TW-717S	1

Valve Train & Ancillary

Valve (Intake)		207 407 98	211-4307•	12
Valve (Exhaust)		207 685 19	211-4308•	12

Filters

Spin-on oil filter	By-Pass Filter	21707132 477556	OC 282	1
	Long Life	21707133 478736	OC 370	2
Spin-on fuel filter		20972293	KC 300	1

PART	NOTES	OE INTERCHANGE NUMBER	PART NUMBER	ORDER QTY
------	-------	-----------------------	-------------	-----------

8 (cont.)	Engine Codes: 'D13F 335, D13F 375, D13F 405, D13F 425, D13F 435, D13F 485' 6 Cyl, 12.8L / 781 CID, Bore 131.0mm / 5.157", Stroke 158.0mm / 6.220"; Turbocharged, EPA07	8 (cont.)
----------------------------	---	----------------------------

Cooling and Climatization

Thermostat, heavy duty	82° Celcius	20560249 21412639	THD 3 82	1
------------------------	-------------	----------------------	----------	---

9	Engine Code: 'DH12E 340' 6 Cyl, 12.1L / 740 CID, Bore 131.0mm / 5.157", Stroke 150.0mm / 5.906"	9
----------	--	----------

Cylinder Components

Cylinder Sleeve Assembly		205 219 49	226-2028	6
Cylinder Sleeve		204 985 44	226-4623•	6
Cylinder Sleeve (Bare)		204 985 44	226-4623X	6
Piston		20872333	224-3860WR	6
Ring Set		205 099 32 276 949	S42119	6
Sleeve O-Ring Kit		270950	223-7222	6

Bearings

Connecting Rod Bearing (Pair)		276 134	CB-1885P	6
		276 135	CB-1885P-.25MM	
		276 136	CB-1885P-.50MM	
Main Bearing Set		205 309 16	MS-2338P•	1
		205 786 24	MS-2338P-.25MM	
		205 786 25	MS-2338P-.50MM	
Thrust Washer Set	4 Per Package	212 678 44	TW-717S	1
Camshaft Bearing Set	Contains OE#: (1) 205 032 00 and (6) 276 630	205 032 00 276 630	SH-2126S	1

10	Engine Codes: 'D12D 365, D12D 395, D12D 425, D12D 435, D12D 465' 6 Cyl, 12.1L / 740 CID, Bore 131.0mm / 5.157", Stroke 150.0mm / 5.906"	10
-----------	--	-----------

Cylinder Components

Cylinder Sleeve Assembly		205 219 43	226-2098•	6
Cylinder Sleeve		204 515 02	226-4631•	6
Piston		204 409 62	224-3872WR•	6
Ring Set		20736734	S42261•	6
Sleeve O-Ring Kit		270950	223-7222	6

Engine Gaskets

Engine Cylinder Head Gasket Set	Contains Valve Stem Seals, Contains OE# 3 093 504 Manifold Gasket Kit	20 710 242	HS54637A	1
Engine Conversion Gasket Set	Contains Crankshaft Seal	20 710 309	CS54637B	1

PART	NOTES	OE INTERCHANGE NUMBER	PART NUMBER	ORDER QTY
------	-------	-----------------------	-------------	-----------

10
(cont.)Engine Codes: 'D12D 365, D12D 395, D12D 425, D12D 435, D12D 465'
6 Cyl, 12.1L / 740 CID, Bore 131.0mm / 5.157", Stroke 150.0mm / 5.906"10
(cont.)

Engine Gaskets

Engine Cylinder Head Gasket		3 099 100	54637	1
Engine Cylinder Head Bolt Set	38 Per Package	1 547 419	GS33689	1
Engine Valve Cover Gasket Set	Contains OE# 8 170 116 Valve Cover Gasket	20 710 235	VS50457	1
Engine Valve Stem Seal Set	Mexico Market Only, Intake And Exhaust, 100 pack	20 459 855 859 171	B45984	1
	12 Per Package, Intake And Exhaust	20 459 855 859 171	SS46059	2
Intake and Exhaust Manifolds Combination Gasket		3 093 504	MS19472	1
Engine Oil Pan Gasket Set	VHD trucks For Sheet Steel Oil Pan	1 547 562	OS32295	1
	VN Trucks For Plastic Oil Pan	20 532 272 8 130 106	OS32452	1
Rear Main Seal		1 543 896	67804	1

Bearings

Connecting Rod Bearing (Pair)		276 134	CB-1885P	6
		276 135	CB-1885P-.25MM	
		276 136	CB-1885P-.50MM	
Main Bearing Set		205 309 16	MS-2338P•	1
		205 786 24	MS-2338P-.25MM	
		205 786 25	MS-2338P-.50MM	
Thrust Washer Set	4 Per Package	212 678 44	TW-717S	1
Piston Pin Bushing		20381185	223-3694	6
Camshaft Bearing Set	Contains OE#: (1) 205 032 00 and (6) 276 630	205 032 00 276 630	SH-2126S	1

Filters

Spin-on oil filter	By-Pass Filter	21707132 477556	OC 282	1
	Long Life	21707133 478736	OC 370	2
Spin-on fuel filter		20976003	KC 251	1
		20972293	KC 300	1

Cooling and Climatization

Thermostat, heavy duty	82° Celcius	8 149 182 1	THD 1 82	1
	86° Celcius	8 149 186	THD 1 86	1

PART	NOTES	OE INTERCHANGE NUMBER	PART NUMBER	ORDER QTY
11	Engine Codes: 'D12A 310, D12A 335, D12A 370, D12A 415' 6 Cyl, 12.1L / 740 CID, Bore 131.0mm / 5.157", Stroke 150.0mm / 5.906"			11
Cylinder Components				
Ring Set		205 099 32 276 949	S42119	6
Sleeve O-Ring Kit		270950	223-7222	6
Engine Gaskets				
Engine Cylinder Head Gasket Set	Contains Valve Stem Seals, Contains Valve Cover Gasket OE# 1 547 594	276 875	HS54637	1
Engine Conversion Gasket Set	Contains Crankshaft Seal	276 888	CS54637	1
Engine Cylinder Head Gasket		3 099 100	54637	1
Engine Cylinder Head Bolt Set	38 Per Package	1 547 419	GS33689	1
Engine Valve Cover Gasket Set	Contains Grommets	1 547 594	VS50456	1
Engine Valve Stem Seal Set	Mexico Market Only, Intake And Exhaust, 100 pack	20 459 855 859 171	B45984	1
	12 Per Package, Intake And Exhaust	20 459 855 859 171	SS46059	2
Intake and Exhaust Manifolds Combination Gasket		276 930	MS19471	1
Engine Oil Pan Gasket Set	For Sheet Steel Oil Pan	1 547 562	OS32295	1
Rear Main Seal		1 543 896	67804	1
Bearings				
Connecting Rod Bearing (Pair)		276 134	CB-1885P	6
		276 135	CB-1885P-.25MM	
		276 136	CB-1885P-.50MM	
Main Bearing Set		205 309 16	MS-2338P•	1
		205 786 24	MS-2338P-.25MM	
		205 786 25	MS-2338P-.50MM	
Thrust Washer Set	4 Per Package	212 678 44	TW-717S	1
Piston Pin Bushing		20381185	223-3694	6
Camshaft Bearing Set	Contains OE#: (1) 205 032 00 and (6) 276 630	205 032 00 276 630	SH-2126S	1
Valve Train & Ancillary				
Valve (Intake)		154 749 2 316 949 0	211-4291	12
Valve (Exhaust)		814 857 4	211-4290	12
Filters				
Spin-on oil filter		21707134 466634	OC 121	1

PART	NOTES	OE INTERCHANGE NUMBER	PART NUMBER	ORDER QTY
------	-------	-----------------------	-------------	-----------

11 (cont.) Engine Codes: 'D12A 310, D12A 335, D12A 370, D12A 415'
6 Cyl, 12.1L / 740 CID, Bore 131.0mm / 5.157", Stroke 150.0mm / 5.906"

11 (cont.)

Filters

Spin-on oil filter	By-Pass Filter	21707132 477556	OC 282	1
Spin-on fuel filter		420799 8193841	KC 75	1

Cooling and Climatization

Thermostat, heavy duty	82° Celcius	8 149 182 1	THD 1 82	1
	86° Celcius	8 149 186	THD 1 86	1

12 Engine Codes: 'D12D 340, D12D 380, D12D 420, D12D 460'
6 Cyl, 12.1L / 740 CID, Bore 131.0mm / 5.157", Stroke 150.0mm / 5.906"

12

Cylinder Components

Cylinder Sleeve		204 985 44	226-4623•	6
Cylinder Sleeve (Bare)		204 985 44	226-4623X	6
Ring Set		205 099 32 276 949	S42119	6
Sleeve O-Ring Kit		270950	223-7222	6

Engine Gaskets

Engine Cylinder Head Gasket Set	Contains Valve Stem Seals, Contains OE# 3 093 504 Manifold Gasket Kit	20 710 242	HS54637A	1
Engine Conversion Gasket Set	Contains Crankshaft Seal	20 710 309	CS54637B	1
Engine Cylinder Head Gasket		3 099 100	54637	1
Engine Cylinder Head Bolt Set	38 Per Package	1 547 419	GS33689	1
Engine Valve Cover Gasket Set	Contains OE# 8 170 116 Valve Cover Gasket	20 710 235	VS50457	1
Engine Valve Stem Seal Set	Mexico Market Only, Intake And Exhaust, 100 pack	20 459 855 859 171	B45984	1
	12 Per Package, Intake And Exhaust	20 459 855 859 171	SS46059	2
Intake and Exhaust Manifolds Combination Gasket		3 093 504	MS19472	1
Engine Oil Pan Gasket Set	For Sheet Steel Oil Pan	1 547 562	OS32295	1
	For Plastic Oil Pan	20 532 272 8 130 106	OS32452	1
Rear Main Seal		1 543 896	67804	1

Bearings

Connecting Rod Bearing (Pair)		276 134	CB-1885P	6
-------------------------------	--	---------	----------	---

PART	NOTES	OE INTERCHANGE NUMBER	PART NUMBER	ORDER QTY
------	-------	-----------------------	-------------	-----------

12 (cont.)	Engine Codes: 'D12D 340, D12D 380, D12D 420, D12D 460' 6 Cyl, 12.1L / 740 CID, Bore 131.0mm / 5.157", Stroke 150.0mm / 5.906"			12 (cont.)
-----------------------------	--	--	--	-----------------------------

Bearings

Connecting Rod Bearing (Pair)		276 135	CB-1885P-.25MM	
		276 136	CB-1885P-.50MM	
Main Bearing Set		205 309 16	MS-2338P•	1
		205 786 24	MS-2338P-.25MM	
		205 786 25	MS-2338P-.50MM	
Thrust Washer Set	4 Per Package	212 678 44	TW-717S	1
Camshaft Bearing Set	Contains OE#: (1) 205 032 00 and (6) 276 630	205 032 00 276 630	SH-2126S	1

Filters

Spin-on oil filter		21707134 466634	OC 121	1
	By-Pass Filter	21707132 477556	OC 282	1
	Long Life	21707133 478736	OC 370	2
Spin-on fuel filter		420799 8193841	KC 75	1

Cooling and Climatization

Thermostat, heavy duty	82° Celcius	8 149 182 1	THD 1 82	1
------------------------	-------------	-------------	----------	---

13	Engine Codes: 'D12C 345, D12C 385, D12C 425, D12C 465' 6 Cyl, 12.1L / 740 CID, Bore 131.0mm / 5.157", Stroke 150.0mm / 5.906"			13
-----------	--	--	--	-----------

Cylinder Components

Cylinder Sleeve Assembly		205 099 31	226-2073•	6
Cylinder Sleeve		204 985 44	226-4623•	6
Cylinder Sleeve (Bare)		204 985 44	226-4623X	6
Piston		204 630 52	224-3871WR•	6
Ring Set		205 099 32 276 949	S42119	6
Sleeve O-Ring Kit		270950	223-7222	6

Engine Gaskets

Engine Cylinder Head Gasket Set	Contains Valve Stem Seals, Contains OE# 3 093 504 Manifold Gasket Kit	20 710 242	HS54637A	1
Engine Conversion Gasket Set	Contains Crankshaft Seal	20 710 309	CS54637B	1
Engine Cylinder Head Gasket		3 099 100	54637	1
Engine Cylinder Head Bolt Set	38 Per Package	1 547 419	GS33689	1
Engine Valve Cover Gasket Set	Contains OE# 8 170 116 Valve Cover Gasket	20 710 235	VS50457	1

PART	NOTES	OE INTERCHANGE NUMBER	PART NUMBER	ORDER QTY
------	-------	-----------------------	-------------	-----------

13 (cont.) Engine Codes: 'D12C 345, D12C 385, D12C 425, D12C 465'
6 Cyl, 12.1L / 740 CID, Bore 131.0mm / 5.157", Stroke 150.0mm / 5.906"

13 (cont.)

Engine Gaskets

Engine Valve Stem Seal Set	Mexico Market Only, Intake And Exhaust, 100 pack	20 459 855 859 171	B45984	1
	12 Per Package, Intake And Exhaust	20 459 855 859 171	SS46059	2
Intake and Exhaust Manifolds Combination Gasket		3 093 504	MS19472	1
Engine Oil Pan Gasket Set	For Sheet Steel Oil Pan	1 547 562	OS32295	1
Rear Main Seal		1 543 896	67804	1

Bearings

Connecting Rod Bearing (Pair)		276 134	CB-1885P	6
		276 135	CB-1885P-.25MM	
		276 136	CB-1885P-.50MM	
Main Bearing Set		205 309 16	MS-2338P•	1
		205 786 24	MS-2338P-.25MM	
		205 786 25	MS-2338P-.50MM	
Thrust Washer Set	4 Per Package	212 678 44	TW-717S	1
Piston Pin Bushing		20381185	223-3694	6
Camshaft Bearing Set	Contains OE#: (1) 205 032 00 and (6) 276 630	205 032 00 276 630	SH-2126S	1

Valve Train & Ancillary

Valve (Intake)		154 749 2 316 949 0	211-4291	12
Valve (Exhaust)		814 857 4	211-4290	12

Filters

Spin-on oil filter	By-Pass Filter	21707132 477556	OC 282	1
	Long Life	21707133 478736	OC 370	2
Spin-on fuel filter		420799 8193841	KC 75	1

Cooling and Climatization

Thermostat, heavy duty	82° Celcius	8 149 182 1	THD 1 82	1
	86° Celcius	8 149 186	THD 1 86	1

VOLVO CYLINDER SLEEVE ASSEMBLY COMPONENT INTERCHANGES

MAHLE

Bore	Part No.	OE Interchange Number	Qty
5.157 226-2028			
Cylinder Sleeve:	226-4623	204 985 44	1
Sleeve O-Ring Kit:	223-7222	270950	1
Piston:	224-3860W R	20872333	1
Ring Set:	S42119	205 099 32 276 949	1
5.157 226-2073			
Cylinder Sleeve:	226-4623	204 985 44	1
Sleeve O-Ring Kit:	223-7222	270950	1
Piston:	224-3871W R	204 630 52	1
Ring Set:	S42119	205 099 32 276 949	1
5.157 226-2091			
Cylinder Sleeve:	226-4622	207 602 35	1
Sleeve O-Ring Kit:	223-7222	270950	1
Piston:	224-3858	211 051 77	1
Ring Set:	S42231	20747511 21253763	1
5.157 226-2092			
Cylinder Sleeve:	226-4622	207 602 35	1
Sleeve O-Ring Kit:	223-7222	270950	1
Piston:	224-3859	21041800	1
Ring Set:	S42231	20747511 21253763	1
5.157 226-2098			
Cylinder Sleeve:	226-4631	204 515 02	1
Sleeve O-Ring Kit:	223-7222	270950	1
Piston:	224-3872W R	204 409 62	1
Ring Set:	S42261	20736734	1

CATERPILLAR	MAHLE
007672	72222
041704	223-5506
055758	72222
061-7540	CS54643-3
0619457	CS54643-3
067290	223-5506
0773822	72218
0779911	72222
0870324	223-5508
0A4601	72222
0R1100	247-5007
0R1210	247-5007
0R1211	247-5007
0R1213	247-5217
0R1215	247-5218
0R1217	247-5218
0R1218	247-5026 247-5219
0R1219	247-5219
0R1237	247-5067 247-5217
0R1238	247-5050
0R1239	247-5217
0R1572	226-1733
0R1692	226-1967
0R1694	226-1695
0R1695	226-1882
0R1696	226-1889
0R1697	226-1968
0R2235	247-5232
0R2413	226-1898
0R2522	247-5218
0R2523	247-5219
0R2525	247-5151
0R2539	247-5222
0R2546	247-5103
0R2657	247-5147
0R2694	226-1734
0R2806	247-5203
0R2812	247-5150
0R2861	226-1855
0R2975	226-1901
0R3043	226-1988
0R3296	226-1690
0R3661	226-1861
0R3756	226-1721

CATERPILLAR	MAHLE
0R3782	226-1918
0R3972	247-5146
0R4178	224-3751X 226-2038
0R4189	247-5007
0R4281	226-1922
0R4283	226-1844
0R4446	226-1978
0R4449	226-1976
0R4451	226-1977
0R4487	226-1973
0R4488	226-2047
0R4506	226-1975
0R4515	226-1734
0R4596	226-1918
0R4635	226-1974
0R4742	247-5235
0R5028	247-5219
0R5052	247-5007
0R5163	247-5007
0R5164	247-5103
0R5167	247-5217
0R5173	247-5218
0R5385	127 TC 21103 000
0R5733	127 TC 21003 000
0R5796	127 TC 15120 000
0R5799	127 TC 27057 000
0R5807	127 TC 15122 000
0R5809	127 TC 17332 000
0R5812	127 TC 21102 000
0R5824	127 TC 15121 000
0R6051	127 TC 21003 000
0R6053	127 TC 21003 000
0R6165	127 TC 24162 000
0R6166	127 TC 24163 000
0R6167	127 TC 24100 000
0R6169	127 TC 21003 000
0R6170	127 TC 21003 000
0R6333	127 TC 24094 000
0R6342	127 TC 21104 000
0R6376	127 TC 24174 000
0R6689	127 TC 21003 000
0R6694	127 TC 24116 000
0R6877	127 TC 24088 000
0R6935	127 TC 24116 000
0R6940	127 TC 24114 000

CATERPILLAR	MAHLE
0R6957	127 TC 21003 000
0R6960	127 TC 21003 000
0R6973	127 TC 21101 000
0R6984	127 TC 24116 000
0R6986	127 TC 24114 000
0R6988	127 TC 24111 000
0R6989	127 TC 24114 000
0R6990	127 TC 24112 000
0R7087	127 TC 24111 000
0R7140	127 TC 24114 000
0R7142	127 TC 24116 000
0R7152	127 TC 24114 000
0R7199	127 TC 24111 000
0R7200	127 TC 24116 000
0R7201	127 TC 24114 000
0R7202	127 TC 24111 000
0R7203	127 TC 24114 000
0R7204	127 TC 24112 000
0R7205	127 TC 24112 000
0R7213	127 TC 24164 000
0R7223	127 TC 24114 000
0R7275	127 TC 24113 000
0R7279	127 TC 21005 000
0R7283	127 TC 24114 000
0R7284	127 TC 24116 000
0R7285	127 TC 24113 000
0R7296	127 TC 21213 000
0R7299	127 TC 24114 000
0R7310	127 TC 24114 000
0R7569	127 TC 21208 000
0R75690	127 TC 21208 000
0R7573	127 TC 21213 000
0R7771	247-5222
0R7923	127 TC 24114 000
0R7924	127 TC 24113 000
0R8017	226-1972
0R8200	226-2042
0R8333	226-1970 226-1973
0R8502	247-5227
0R8717	224-3750X 226-2057
0R8913	226-1971
0R8915	226-1969
0R9802	127 TC 21101 000
0R9865	127 TC 21005 000

CATERPILLAR	MAHLE
0R9906	247-5231
0R9928	127 TC 24112 000
0R9942	226-2048
1002951	HS54192-2
1002952	HS54192-2
1002953	HS54156-1
1003652	MB-3451W MS-2000P TW-693S
1006374	KC 227
1006694	S42054
1006695	S42054
1007860	211-3339
1007861	211-3306
1010016	224-3298 224-3298X
1011530	MB-3454P
1013210	223-1964
1014140	224-3392 224-3392X
1014495	224-3807X
1014543	MB-3455P
1018643	JV5047
102-9429	127 TC 21003 000
1026229	B45978
1030081	HS54515
1050253	MB-3466P
1051710	224-3361 224-3361X
1051725	247-5203
1061111	211-2494
1069586	CS54643-3
107-7791	224-3714X
1073565	224-3395 224-3395X
1077330	CB-1621P
1077563	224-3767X
1077563B	224-3767X.050MM
1077602	MB-3456P
1077604	226-4626
1077708	MB-3454P MB-3455P MS-2219P
1077832	54156
1085902	211-2493
1085911	211-4167
1090072	CS54643-3

CATERPILLAR	MAHLE
1090078	CS54643-3
109030	217-3260
10R0364	127 TC 21101 000
10R1103	127 TC 21206 000
10R1503	226-2049
10R1795	127 TC 21211 000
10R1887	127 TC 21201 000
10R1888	127 TC 21204 000
10R2027	127 TC 21205 000
10R2110	247-5234
10R2317	247-5227
10R2407	127 TC 21201 000
10R3075	247-5233
10R3280	127 TC 21206 000
10R3304	226-2054
10R8616	226-1969
10R8733	127 TC 21202 000
1104899	CS54154-15
1104900	HS54154-15
1105800	226-4493 226-4493X
1106979	127 TC 24169 000
1106993	226-4557 226-4557X
1113359	HS54154-4
1118015	54163
1127990	CS54214-8
1127992	JV5089
1127994	JV1698
1127995	HS54214-1
1136046	224-3751X
1136065	OS32216
1136303	72013
1138207	JV5049
114-2687	CS54643-3
1152367	211-2494 211-4316
1152368	211-4315
1152972	223-3697
1154109	67956
1154120	67948
1154202	OS32216
1161089	CB-1931P
1161107	TW-701S
1161359	SH-2177
1161372	224-3376X

CATERPILLAR	MAHLE
1165885	CS54214-1
1168154	224-3750X
1169574	127 TC 24116 000
1169582	127 TC 24114 000
1169586	127 TC 24114 000
1170456	247-5026 247-5219
1174089	KC 227
1175973	CB-1622P
1175975	MB-2848AL
1176527	JV5049
1177094	JV1698
1177096	JV5049
1178747	JV5049
1181655	223-3710
1182980	HS54214-1
1183732	223-7195
1183798	JV5049
1185068	CS54643-3
1185569	217-4110
1189494	226-4557 226-4557X
1190905	JV5089
1190957	CS54214-7
1192921	67949
1193036	B45898
1193782	CB-1941P
1195155	72121
1198518	127 TC 21003 000
120-8362	127 TC 21101 000
1208883	CS54100-5
1208902	HS54154-17
1208997	CS54163-1
1208998	JV5120
1209328	CS54214-9
121-0145	CS54643-3
1220321	211-4281
1227375	217-4110
1228906	JV1698
1238206	226-4542 226-4542X
1243008	JV5049
1243030	127 TC 24116 000
1243031	127 TC 24111 000
1243032	127 TC 24114 000
1243034	127 TC 24111 000

CATERPILLAR	MAHLE	CATERPILLAR	MAHLE	CATERPILLAR	MAHLE
1243035	127 TC 24114 000	1358810	HS54214-1	1428128	CS54163-1
1243759	127 TC 24112 000	1361114	JV5049	1429672	CS54214-3
1248898	CS54214-8	1361115	JV1698	1433778	CS54163-1
1248899	CS54214-1	1363686	CS54163-1	1436304	JV5049
1252428	JV5089	1366390	127 TC 24114 000	1437702	CS54163-4
1253005	247-5235	1366942	CS54163-1	1439609	JV5093
1269506	JV5089	1367227	CS54643-3	1443472	MS19856
1269507	JV5049	1367619	127 TC 24116 000	1449542	HS54214-1
1271476	HS54154-17	1369326	CS54163-1	1450162	MS-2219P-.25MM
1280382	MB-3975P-.50MM	1374832	127 TC 24114 000	1450164	MS-2219P-.50MM
1280390	CB-1941P-.50MM	1381915	HS54154-17	1450311	JV1698
1280400	MB-3976P-.50MM	1381988	JV5049	1452262	JV1706
129-0357	OS32166	1383069	JV1686	1456744	224-3374X
1290338	224-3368 224-3368X	1383100	KC 227	1458991	JV5049
1290358	224-3297 224-3297X	1384611	MS19417	1463110	CS54163-4
1290359	224-3748X	1386741	JV5049	1464229	EK3533VR HS54154-7
1290373	KC 430D	1387720	JV5121 JV5128	1464328	127 TC 24114 000
1290431	JV5049	1388506	223-1840	1465750	CS54163-4
1290433	JV5089	1402245	CS54163-1	1465809	CS54163-4
1290434	JV5049	1402246	JV5115	1475474	HS54163-12
1290435	JV5089	1406143	HS54163-12	1475544	CS54163-1
1293329	HS54163-11	1409031	JV5049	1476171	CS54163-1
1294498	CS54154-16	1409043	CS54163-4	1478214	B45957
1299452	MS19416	141-8940	127 TC 24112 000	1487455	211-3306
1300241	224-3346X	1410280	CS54163-1	1491189	CS54163-1
1309035	CS54214-2	1412222	EK0102VR HS54154-18	1493955	CS54163-1
1312427	127 TC 24111 000	1414117	CS54154-13	1493972	CS54163-1
1321195	CS54214-5	1415507	HS54154-18	1494914	CS54163-1
1321404	JV5049	1416306	HS54154-4	1495566	224-3376X
1323649	127 TC 24112 000	1417274	CS54100-5	1496026	JV5049
1323651	127 TC 24111 000	1417278	JV1713	1496031	MB-3466P
1326663	224-3347X 226-2048 226-2049	1417445	CS54163-1	1497378	VS50464 VS50471
1332271	JV5089	1417953	CS54100-5	1498301	CS54163-1
1335671	KC 430D	1418935	127 TC 24111 000	1498303	JV1713
1335673	KC 430D	1418936	127 TC 24116 000	1498374	CS54163-4
1337537	224-3376X	1418937	127 TC 24114 000	1500330	CS54163-1
1343037	CS54163-1	1418938	127 TC 24111 000	1512939	MB-3977P
1343761	S41943	1418939	127 TC 24114 000	1513025	JV5049
1345251	SH-1979	1419305	CS54163-1	1515837	CS54163-1
1350233	JV5049	1420403	CS54163-4	1527582	218-7805
1352837	224-3375X	1422216	JV5049	1527585	211-4167
1353449	HS54214-1	1423320	JV5089	1527625	247-5227
		1425867	67741	1528380	211-4166
		1425868	67656	1533928	247-5222

CATERPILLAR	MAHLE
1535527	CS54214-11
1537023	211-4166
1537024	211-4167
1539653	54214
1540170	JV5049
1548083	CB-1622P
1548087	224-3396 224-3396X
155-5463	127 TC 24174 000
1551379	HS54163-12
1551380	HS54163-1
1551381	HS54163-11
1554265	CS54163-4
1555619	JV1701
1556633	CB-1622P
1560936	HS54154-18
1560937	HS54154-18
1564173	HS54515
1568262	224-3586 224-3586X
1569232	FS4966B
1570625	JV5049
1571376	JV5049
1572705	HS54214-1
1572849	CS54214-11
1582389	JV5093
1583155	JV5093
1592977	CS54163-4
1593993	72218
1596080	CS54214-5
1598542	127 TC 24113 000
1599600	JV5093
1599778	226-4506X
1601131	224-3751X
1601799	247-5231
1605548	127 TC 24114 000
1605550	127 TC 24116 000
1606686	HS54154-4
1608133	223-3704
1608147	247-5232
1608194	223-3702
1609367	FS4966B JV1672
1609874	223-7195 226-2048 226-2049

CATERPILLAR	MAHLE
161-4378	127 TC 21101 000
1616352	127 TC 24113 000
162-9103	127 TC 21208 000
1625231	JV1698
1625291	JV5049
1627123	JV1698
1627554	CS54163-1
1630054	CS54214-5
1632478	B45978
1635637	JV1698
1646560	224-3748X
1654262	224-3368 224-3368X
1655145	JV5093
166-0327	127 TC 21213 000
1662903	GS33507
1662904	GS33507
1662905	OS32412
1666752	127 TC 24114 000
167-9271	127 TC 24114 000
1684531	224-3586 224-3586X
1685248	EK3537 OS32300 OS32300A
1687224	223-1962
1687226	223-1964
1687246	223-1846 226-2048 226-2049
1694199	OS32224
1694200	OS32166
1698598	GS33657
1717264	JV1698
1723280	224-3764X
1737188	217-3259
1765744	224-3377X
1765749	226-2048 226-2049 S41927 S41943 S42181
1767716	127 TC 24111 000
177-1063	127 TC 21101 000
177-1064	127 TC 21101 000
1770450	223-1835
1774347	JV5093

CATERPILLAR	MAHLE
1777496	226-2048 S41927
1777498	224-3806X
1787502	217-3260
1803446	CS54214-4
1807350	223-1952
1807351	224-3635X 226-2048
1807352	224-3374X 224-3397
1870605	CS54163-1
1871513	224-3794X
1871513(.020)	224-3794X.020
1873252	CS4930A
1873255	CS54163-4
1873615	HS54515
1878969	SH-2180
1891814	GS33635
1891944	HS54214-1
1891949	HS54214-2
1895133	JV5093
1895135	JV5089
1895136	FS4966B JV5049
1895389	HS54214-2
1895390	GS33521
1899771	226-2048 226-2049 S41927 S41943 S42181
1905978	CS54643-1
191-8028	127 TC 21208 000
1917854	224-3374X
1917855	224-3635X
1918019	127 TC 21213 000
192-0949	127 TC 21208 000
193-5867	127 TC 21208 000
195-5993	127 TC 21005 000
195-6029	127 TC 21101 000
195-6031	127 TC 21101 000
1965949	127 TC 24111 000
1965951	127 TC 24114 000
1965952	127 TC 24113 000
1969516	MS-2064P
1969519	MS-2219P
1969534	MS-1114AL

CATERPILLAR	MAHLE
1979291	223-1952
1979322	226-4506 226-4506X 226-4617X
1979372	223-5547
1979384	226-4506X
198-1845	127 TC 21101 000
198-1846	127 TC 21101 000
198-8717	127 TC 21208 000
198-8718	127 TC 21208 000
198-8720	127 TC 21208 000
198-8721	127 TC 21208 000
198-8722	127 TC 21208 000
198-8723	127 TC 21208 000
198-8724	127 TC 21208 000
198-8725	127 TC 21208 000
198-8726	127 TC 21208 000
198-8727	127 TC 21208 000
1A3479	KC 28
1C6322	CB-619AL-20
1C6327	MB-2580AL
1C6344	CB-619AL
1C6448	223-7107
1G6917	223-5506
1H5605	224-3189X
1J6473	223-5506
1J9671	CS54643-3
1M3495	224-3189X
1M5295	MB-2581AL
1M6101	223-1833
1M8346	218-7805
1M8384	218-7806
1N3064	224-2188 224-2188X
1N3227	224-2188X
1N3418	SH-1245S
1N3542	MB-2848AL
1N3601	S41287
1N3821	CB-1599P-10
1N3822	CB-1599P-20
1N3967	S41832
1N4336	CB-778AL
1N4337	CB-778AL-25
1P 0734	S41159
1P0035	127 TC 27057 000
1P0239	224-3034

CATERPILLAR	MAHLE
1P0239	224-3034X
1P0241	S40963 S41394
1P1127	S41159
1P2299	KC 28
1P2999	KC 28
1P7960	TW-252S
1P9136	127 TC 27057 000
1R0511	KC 28
1R0658	OC 121 OC 370
1R0711	KC 28
1R0716	OC 484
1R0739	OC 370
1R0740	KC 28
1R1807	OC 121
1R1808	OC 484
1R740	KC 28
1S1160	226-4505 226-4505X
1S2353	223-3586
1S2587	226-4505 226-4505X
1S5164	223-1829
1S9543	223-5502
1W 311	MB-2734P
1W 312	MB-2733P
1W0311	MB-2734P MB-3414P MS-2000P
1W0311	MB-3414P
1W0312	MB-2733P MB-3415P MS-2000P
1W0312(3)1W0311(2)	MS-2000P
1W0401	247-5103
1W1655	MS-2000P-10
1W1661	MB-3415P-10 MS-2000P-10
1W1661(3)1W1655(2)	MS-2000P-10
1W1665	MB-3414P-10
1W2070	224-2188X.020
1W2071	225-2513.020
1W2556	67821
1W2660	OC 484
1W3300	OC 121

CATERPILLAR	MAHLE
1W3300	OC 370
1W3859	211-2493
1W3860	211-2494
1W5008	247-5147
1W5009	247-5147
1W5061	S41287
1W5105	S40538
1W5210	127 TC 27057 000
1W5252	TW-583S
1W5253	THD 1 82
1W5283	218-7805
1W5723	225-2513
1W5792	224-2188 224-2188X
1W5793	224-2188X
1W5794	224-2188X.020
1W5920	SH-2178S
1W6055	S40538
1W6206	247-5026 247-5219
1W6207	247-5026 247-5219
1W6213	247-5151
1W6280	226-4506 226-4506X
1W6589	MB-2848AL
1W6757	224-3297 224-3297X
1W7524	CB-1262AL
1W7538	CB-1621P
1W8539	CB-1232AL
1W8633	KC 28
1W8845	OC 282
1W8901	224-3244 224-3244X
1W8922	S41890
1W8922GA	S41890
1W9372	224-3244 224-3244X
1W9771	247-5103
2023253	JV1732
2024973	JV1700
2035805	SH-2174
2036090	SH-2175
2039188	JV5049
2066954	54214

CATERPILLAR	MAHLE
20R1118	226-1855
2110587	MB-3976P
2110588	MB-3975P
2110592	MB-2848AL
2114321	S41942
2117826	226-4557 226-4557X
2124893	MB-3456P MS-2219P
2133190	CB-1932P
2138113	CS54643-1
2144150	CS54214-5 EK3536
2144240	JV1698
2144256	HS54214-2
2161252	EK3535VR HS54214-1
2165582	SH-1979
2165583	SH-2166
2165584	SH-2167
2165585	SH-2168
2165586	SH-1764S SH-1765S
2165586	SH-1764S SH-1765S SH-2176
2170390	MB-2848AL
2170577	CB-1941P
2170578	CB-1622P
2175701	VS50631
2188569	HS54214-2
2192889	JV5105
2193501	EK0102VR HS54154-17
221-2305	224-3377X
2219362	247-5233
2219364	247-5234
2221177	EK0102VR
2223909	67956
2223910	67948
2226726	JV1700
2243246	CB-1933P
2243871	JV1732
2245122	54643
2246638	CB-1620P
2250115	224-3636 224-3636X

CATERPILLAR	MAHLE
2250115	226-2049
2257010	226-2049 S42181
2266070	EK0202 HS54154-1
2275480	247-5203
228-3228	127 TC 21206 000
2281630	HS54214-2
2285820	223-3704
2295153	MS-2219P-.25MM
2295154	MS-2219P-.50MM
2296259	223-3704
2305003	JV1732
2310649	EK0202 HS54154-15
2314140	127 TC 21205 000
2314142	127 TC 21205 000
2316616	127 TC 21204 000
232-1811	127 TC 21204 000
232-5811	127 TC 21204 000
2321805	127 TC 21204 000
2322922	FS4966B JV1674
2323233	MB-2580AL MS-1113AL MS-1114AL MS-957AL MS-958AL
2323235	CB-1933P-25
2323679	JV1698
2326557	224-3641X
2326574	FS4966B JV1672
2326652	EK3534VR FS4966B HS54154-2
2331589	127 TC 21201 000
2331592	127 TC 21201 000
2331596	127 TC 21201 000
2336984	JV5093
2339474	EK3533VR FS4966B HS54154-7
2341633	JV5104
2341866	JV5089
2341874	FS4966A JV5049
2341877	JV1700

CATERPILLAR	MAHLE
2341904	JV5105
2347988	HS54163-8
2348002	HS54163-7
2348008	HS54163-7
2348020	EK3532
2351752	TW-583S
2365605	211-4166
2370194	S42223
2375271	127 TC 21211 000
2380294	S42223
2382698	224-3791X
2382700	226-4506X
2382716	224-3714X
2382716 (.50MM)	224-3714X.50MM
2382726	224-3794X
2382726(.020)	224-3794X.020
2382729	224-3806X
2384737	S42223
2388373	247-5234
239-5581	127 TC 21205 000
2390998	JV5106
2395583	127 TC 21205 000
2400205	HS54515
2410221	247-5227
2423429	247-5026
2423439	247-5050 247-5218
2423440	247-5067 247-5217
2429537	VS50445 VS50464 VS50471
2444486	VS50630
2457339	67949
2463144	TW-701S
2463150	TW-702S
2476892	211-2491
2481394	GS33521
2485514	224-3641X
2485516	224-3639X
2486740	EK3536 HS54214-2
2486744	EK3537 EK3538 HS54643-6
2502940	223-5531

CATERPILLAR	MAHLE
2506556	226-1967
2506564	224-3369 224-3369X
251-4820	127 TC 21201 000
2519351	JV1701
2531752	MB-3448W TW-583S
2533435	JV5107
2533442	EK3537 EK3538 HS54643-7
2572754	EK3537 EK3538 HS54643-3
2572756	CS54643-1
2592400	127 TC 21202 000
2611544	247-5232
2613816	OS32216
2619647	247-5151
2619648	247-5150
2627330	224-3804X
2629103	MS19528
2629288	224-3803X
2634016	GS33658
2646898	EK3530 HS54192-3
2664325	CS54192
2682932	EK3529 HS54192-2
269-2920	127 TC 21206 000
2690064	GS33660
2698764	247-5067 247-5217
2704351	224-3368
2704353	226-1968
2720388	VS50626
2720390	VS50471
2721956	MS19855
2730302	GS33658
2794977	54163
2801470	JV1710
2812813	HS54192-2
2818261	MS19528
2821771	MB-3977P-.25MM
2822478	CB-1932P-.25MM
2847707	127 TC 21202 000
2848983	224-3641X

CATERPILLAR	MAHLE
2853200	JV1701
287-8787	HS54841-3
2900017	224-3244 224-3244X
2900528	JV1731
2902060	EK0102VR HS54154-4
2908676	JV1732
2919157	JV1731
2920484	CB-1931P
2956438	223-1835
2969852	JV5107
2969934	EK3537 EK3538 HS54643-4
2969949	CS54643-2
297-5350	HS54841-3
2974827	JV5165
2974828	JV5164
2974829	GS33655
2974830	HS54841-3
2974835	CS54841-1
2974841	GS33657
2975348	JV5164
2975406	CS54841-2
2975867	JV5164
2976163	JV5164
2976380	JV5164
2978786	JV5164
2978934	CB-1814P CS54841-1
298-2111	HS54841-3
2982108	JV5164
2982733	JV5164
2B3712	226-4465 226-4465X
2C1865	72218
2D0596	72218
2D1519	72222
2F7916	211-2351
2M5558	224-3202X
2M5559	224-3202X
2M6414	217-4063
2M6415	217-4063
2M8161	MB-2580AL-30
2M8205	CB-619AL-30

CATERPILLAR	MAHLE
2M8215	247-5136
2M9780	CS54643-3
2N7048	MB-2597AL
2N8943	218-7808
2P0716	TW-252S
2P1262	217-3260
2P2630	S41394
2P3760	CS54643-3
2P4004	OC 121 OC 370
2P4005	OC 484
2P4305	CS54643-3
2P6270	224-3034 224-3034X
2P8889	226-4493 226-4493X
2P9630	S40963
2R2658	72222
2R2911	THD 1 82
2S0502	CB-619AL-10
2S0503	CB-619AL-20
2S0504	MB-2580AL-10
2S0506	MB-2580AL-20
2S2251	72327
2S2743	MB-2580AL-30
2S505	MB-2581AL-10
2S507	MB-2581AL-20
2S508	MS-957AL-10
2S509	MS-958AL-10
2S510	MS-958AL-20
2S511	MS-957AL-20
2S5207	MB-2580AL-20
2S7423	MB-2580AL-30
2U2623	CS54192
2W 7213	SH-1764S SH-1765S
2W0027	223-3695
2W0085	247-5007
2W0440	247-5026 247-5219
2W0646	MB-3466W
2W0865	224-3245 224-3245X
2W1672	54151
2W1707	S41394
2W1709	S41394

CATERPILLAR	MAHLE
2W1733	67741
2W1734	67656
2W2300	247-5026 247-5219
2W2585	247-5026 247-5219
2W2620	211-3339
2W2621	211-2491
2W2622	211-2493
2W4088	247-5150
2W4831	224-2188 224-2188X 225-2513
2W4841	225-2513
2W6000	226-4506 226-4506X
2W6091	S41653
2W6134	223-7188
2W7211	SH-1764S SH-1765S SH-2176
2W7213	SH-1764S SH-1765S
2W7458	247-5050 247-5218 247-5219
2W7960	247-5067 247-5217
2W7983	54154
2W8265	S41883
2W8265(3R)(KS)	S41542
2W8265-3R-2KS	S41542
2W8367	247-5103
2W8410	224-2188X.020 225-2513.020
2W8646	S41542.020 S41883.020
2W8646(3R)(KS)	S41542.020
2W8647	S41685.040
2W86473R	S41685.040
2Y4515	247-5067 247-5217
2Y4517	247-5050 247-5218
2Y8096	OC 121
2Y8097	OC 484
3044924	VS50630
3056220	GS33636

CATERPILLAR	MAHLE
3067460	224-3641X
3077923	JV5164
3085691	HS54841-4
3085802	JV5164
3085804	GS33655
3085822	JV5164
3085931	HS54841-1
3086320	HS54841-1
3086327	CS54841-2
3086346	HS54841-1
3087214	CS54841-2
3119432	223-1832
3119446	S40538
3119472	211-3324
3125775	JV5165
3125932	GS33660
3132169	GS33655
3133512	JV5164
3133975	JV5164
3133996	247-5233
3133997	247-5234
3134422	JV5164
3135534	224-3641X
314853	223-5505
3148531	226-4505 226-4505X
3148652	MB-2580AL-10
3148652C	MB-2580AL-10
3164810	EK3538 HS54643-7
3178766	MB-2848AL
3184327	HS54841-4
3184328	GS33666
3184348	GS33666
3189647	JV5164
3189648	GS33666
3205170	HS54841-2
3211415	CS54643-1
3211416	JV5105
3211417	JV1700
3211418	EK3537 EK3538 HS54643-4
3255169	JV5165
3255171	GS33666
3256032	SH-2173

CATERPILLAR	MAHLE
3256191	67645
3256192	67821
3259469	CS54841-2
3259470	GS33655
3259472	HS54841-2
3259639	CS54841-1
3285573	CB-1622P
3291383	JV5164
3312891	HS54841-4
3313950	HS54841-2
3341066	CS54841-1
3342669	CB-619AL
3348389	247-5050 247-5218
3370872	247-5067 247-5217
3374832	127 TC 24114 000
3451909	GS33655
3483681	JV5107
3512791	223-1952
3564787	224-3641X
3569946	224-3639X
3683008	HS54214-1
3685914	247-5007
3685916	247-5146
3685919	247-5103
3715941	226-4493 226-4493X
3731885	SH-2187
3769081	MB-2580AL-20
3769081C	MB-2580AL-20
3769082	MB-2580AL-30
3769082C	MB-2580AL-30
3769085	MB-2580AL
3769085C	MB-2580AL
3775833	SH-2172
3775838	54100
3790191	SH-2186
3790196	223-3706
3801548	54151
3807386	54235
3825055	CS54163-1
3825069	HS54192-3
3825070	HS54163-11
3831576	223-7124
3833704	JV5125

CATERPILLAR	MAHLE	CATERPILLAR	MAHLE	CATERPILLAR	MAHLE
3833710	JV5115	3H3475	226-4465X	4H9884	CB-778AL
3848698	211-4281	3H6015	226-4465	4L3763	CB-970AL
3848700	211-2494		226-4465X	4L3843	223-1832
3848704	211-2493	3H6767	223-1831	4L4647	MB-2597AL
3848705	211-4193	3I0731	OC 484	4L4653	TW-226S
3863048	223-7195	3I1143	KC 28	4L4941	CB-619AL-30
3863815	HS54163-12	3I1144	KC 28	4L7615	THD 1 82
3872918	HS54163-9	3I1376	OC 1001	4L9855	CB-619AL
3872921	HS54192-2	3K0360	CS54643-3	4M0386	218-7805
3872925	HS54163-8	3N1141	211-3324	4M2969	OS32166
3880661	JV5127	3P0650	CS54643-3	4M8165	S40574
3911091	HS54218-3	3R3194	224-3189X	4M8196	CB-694AL
3911092	CS54154-4	3S1826	224-3231	4M9110	224-3189X
3911106	211-4166		224-3231X	4M9111	224-3189
3911107	211-4167	3S1850	226-4518		224-3189X
3918229	JV5115		226-4518X	4M9112	224-3189X
	JV5117	3S3285	CB-694AL	4M9952	247-5136
	JV5120	3S3977	223-7107	4N0006	247-5219
	JV5124	3S4028	224-3202X	4N0112	247-5103
	JV5127	3S4029	S40574	4N0685	SH-2186
	JV5148	3S4031	S41822	4N0699	CS54643-3
3918256	HS54163-11	3S4040	224-3189X	4N1151	EK3533VR
3918604	CS54163-7	3S4061	S40538		EK3534VR
3920166	HS54163-7	3S5501	224-3026		EK3535VR
3924479	HS54163-12		224-3026X		OS32183
3925434	JV5121	3S5502	224-3026		OS32500A
	JV5125	3S7774	TW-252S	4N1627	226-4506
	JV5128	3S9643	GS27706		226-4506X
3925441	CS54163-1	3S9730	MB-2580AL	4N2212	THD 1 82
3925540	CS54163-6	3Y0900	OC 121	4N2271	211-2494
3931024	223-7188	3Y0900X	OC 121	4N2803	217-3259
3931027	HS54154-4	3Y900	OC 121	4N3661	CS54643-3
3933625	JV5148	4181951	CS54100-5		OS32183
3935197	CS54100-3	4194650	223-3712	4N3665	217-4063
3936199	JV1712	4194669	CB-1622P	4N3666	217-4063
3953837	HS54643-4	4196381	MB-3455P	4N3668	217-4053
3D5909	72222	4338194	OS32274		217-4063
3E3325	HS54192-3	4380149	HS54154-4	4N4029	224-3369X
3E3340	HS54192-2	4F0213	211-3350	4N5374	211-2493
3E3350	HS54154-1	4F5619	218-7808	4N5619	S41159
3E4326	CS54154-6	4F7390	CS54643-3		S41287
3E4328	CS54154-2	4F7952	72222	4N5653	211-2494
3E6292	JV5049	4F8824	72327	4N5654	211-2493
3E7471	HS54163-11	4H8625	226-4505	4N5893	218-7806
3E8898	HS54163-8		226-4505X	4N6258	CB-619AL
3F8513	223-5507	4H9804	211-3324	4N6658	SH-2187
3H3475	226-4465			4N6858	127 TC 15120 000

CATERPILLAR	MAHLE
4N6858	127 TC 27057 000
4N6859	127 TC 27057 000
4N6883	211-3324
4N7692	247-5067 247-5217
4N7693	247-5050 247-5218
4N7694	247-5067 247-5217
4N7696	247-5218
4N7755	247-5151
4N8969	127 TC 17332 000
4N9258	224-3034 224-3034X
4N9544	127 TC 21103 000
4N9617	127 TC 21102 000
4N9618	127 TC 21102 000
4N9714	127 TC 27057 000
4P1546	224-3714X
4P1550	224-3807X
4P1724	67741
4P2059	127 TC 24162 000
4P2060	127 TC 24163 000
4P2061	127 TC 24100 000
4P2064	127 TC 21003 000
4P2458	127 TC 21003 000
4P2654	224-3271 226-1861
4P2656	S41841
4P2657	S41841
4P2658	S41841
4P2733	67741
4P2734	67656
4P2990	224-3360 224-3360X
4P4334	247-5146
4P5053	SH-1979
4P6930	54156
4P7377	223-3703
4P7750	B45898
4P8132	224-3748X
4P8495	223-3586
4P8915	54100
4P9584	127 TC 24174 000
4R8831	67950
4S6834	CB-964AL

CATERPILLAR	MAHLE
4S7424	S40538
4S8881	MB-2580AL-10
4S8883	MB-2580AL-20
4S8885	MB-2580AL-30
4S9276	CB-964AL-25
4S9277	CB-964AL-50
4S9396	MB-2585AL-25
4W0045	54151
4W0452	67645
4W3498	247-5203
4W3778	217-3307
4W3779	217-3306
4W4842	THD 1 86
4W5492	MB-2848AL
4W5698	MB-2848AL-25
4W5699	MB-2848AL-50
4W5702	CB-1262AL-25
4W5703	CB-1262AL-50
4W5738	MB-2580AL MS-958AL
4W5739	CB-619AL
4W6000	OC 484
4W7403	223-1840
4W7412	247-5150
4W7679	247-5150
4W7693	247-5218
4W8090	CB-1215P
4W8091	MB-2735P MS-1420P MS-1421P MS-1422P
4W8091(.030)	MS-1420P-30 MS-1421P-30 MS-1422P-30
4W8092	MB-2734P MS-1420P MS-1421P MS-1422P MS-2020P
4W8092(.030)	MB-2734P-30 MS-1420P-30 MS-1421P-30 MS-1422P-30 MS-2020P-30
4W8093	MB-2733P MS-1420P MS-2020P
4W8093(.030)	MB-2733P-30

CATERPILLAR	MAHLE
4W8093(.030)	MS-1420P-30 MS-2020P-30
4W8484	223-1840
4W9022	MS-1422P-10
4W9023	MS-1422P-20
4W9064	MS-1422P-20
4W9065	MS-1422P-10
4W9078	247-5151
5A6717	KC 28
5C1791	OC 42
5C9858	OS32166
5D1478	72222
5E2517	72218
5E3014	223-5506
5E8950	72218
5F6710	226-4465 226-4465X
5F8365	211-2352
5H4344	S40538
5H5993	CB-778AL-25
5I7671	247-5235
5I8018	127 TC 15123 000
5M1784	224-3202X
5M1889	218-7805
5M5828	211-2352
5M7469	MS-957AL
5M7470	MS-958AL
5M8023	217-4053
5M8256	226-4505 226-4505X
5N6242	THD 1 82
5P 8057	223-7195
5P0091	49353
5P1119	OC 370
5P1988	HS54235-2
5P2060	GS33506
5P4173	223-8146
5P5678	VS50464
5P5678	VS50464 VS50518
5P5678 3 METER	VS50518
5P7701	CS54643-3
5P8053	EK3534VR HS54154-2
5P8108	CS54154-7
5P8366	FS4966B

CATERPILLAR	MAHLE
5P8366	HS54154-9
5P8767	CS54163-2
5P8768	223-7188
5P8769	JV5118
5P8789	223-7107
	223-7146
5P8970	223-7124
5P9098	HS54235-2
5P9099	CS54163-3
5P9100	JV5116
5P9221	223-7115
5P9414	HS54218-1
5P9415	CS54100-6
5P9416	JV5147
5P9564	CS4930A
5P9568	JV5148
5P9570	JV1706
5P9571	JV1707
5S316	CB-694AL-25
5S4507	217-4053
5S5252	247-5217
5S6281	54235
5S6296	67767
5S6346	226-4493
	226-4493X
5S6419	SH-2172
5S6420	SH-2173
5S6452	211-2491
5S6670	223-7188
5S6750	S42139
5S7232	211-2492
5S7570	S41670
5W3394	KC 6
5Y0372	223-5507
5Y1546	247-5050
	247-5218
612650	224-3396
	224-3396X
614956	THD 1 86
6B2291	223-5505
6F5251	223-1831
6F6673	72218
6H3026	211-3350
6H3187	211-3324
6H5646	211-2351
6I0497	S42054

CATERPILLAR	MAHLE
6I0497	S42139
6I1144	224-3768X
6I1453	247-5146
6I1589	211-4193
6I2726	223-3703
6I2864	217-3307
6I2865	217-3306
6I3066	54154
6I4361	223-8015
6I4362	223-8017
6I4420	54214
6I4574	127 TC 24116 000
6I4609	224-3393
	224-3393X
6I4689	54215
6L5851	THD 1 82
6L7291	THD 1 82
6L7440	KC 28
6L7841	CB-970AL
6N 9915	211-3339
6N1396	OS32183
6N1571	127 TC 17332 000
6N2236	217-4063
6N2842	226-4465
	226-4465X
6N3784	KC 28
6N3906	247-5219
6N3908	CB-1262AL
6N3909	MB-2848AL
6N4129	TW-252S
6N4166	CB-1262AL-25
6N4167	CB-1262AL-50
6N4168	MB-2848AL-25
6N4170	MB-2848AL-50
6N5026	S41329
6N5398	226-4465
	226-4465X
6N5536	S41329
6N6231	CB-970AL-25
6N6515	127 TC 15121 000
6N6642	224-3022X
6N6991	CB-1232AL
6N7155	127 TC 15120 000
6N7174	B45886
6N7263	54235
6N7344	S41287

CATERPILLAR	MAHLE
6N7436	CB-1262AL
6N8052	226-4493X
6N8477	127 TC 15121 000
6N8505	54151
6N8566	127 TC 15121 000
6N8743	MB-2848AL
6N8745	MB-2733P
6N8746	MB-2734P
6N8747	MB-2735P
6N8749	MB-2733P
6N8760	CB-694AL
6N8853	67821
6N8903	224-2188X.020
6N8940	MB-2580W
	TW-252S
6N9837	CB-1215P-10
6N9838	CB-1215P-20
6N9916	211-3306
6V0260	HS54218-3
6V0600	HS54218-3
6V0602	EK3531
	HS54100-4
6V0603	EK3531
	HS54100-4
6V0605	CS54100-2
6V0607	CS54100-7
6V0611	JV5126
6V0712	HS54235-2
6V0715	HS54235-3
6V0896	JV1711
6V1336	JV1714
6V1549	JV5122
6V1658	JV5117
6V1659	JV1713
6V1680	JV1712
6V2209	EK3532
6V2246	HS54218-3
6V2466	JV5123
6V2501	JV5128
6V2509	JV5122
6V2514	CS54163-5
6V2523	EK3532
6V2526	HS54163-9
6V2527	HS54163-9
6V2528	HS54163-9
6V2531	HS4966

CATERPILLAR	MAHLE
6V2552	JV1714
6V2921	JV1711
6V2982	JV1706
6V2983	JV1707
6V3774	223-7192
6V4705	HS54163-7
6V4763	JV5118
6V4778	CS54100-4
6V4784	HS54163-7
6V4785	JV5127
6V5048	CS54643-3
6V5049	CS54643-3
6V5266	CS54643-3
6V5975	CS54163-4
6V5976	JV1708
6V5978	JV5121
6V6228	CS54643-3
6V7460	JV5118
6V8023	CS54163-6
6V8024	CS54163-1
6V8027	CS54163-4
6V8398	CS54643-3
6V8608	JV1672
6V9221	CS54154-4 FS4966B
6V9222	JV5049
6V9890	FS4966B HS54154-2
6V9891	FS4966B
6V9907	JV5049
773297	72222
773846	72222
774718	72222
777261	KC 28
780735	72218
781964	72218
781973	72222
787215	72327
792099	72327
7B2124	223-7107
7C0111	223-5516
7C0115	223-1853
7C0307	CS54643-3
7C1599	54151
7C2888	224-3378X 224-3400

CATERPILLAR	MAHLE
7C3406	224-3023 224-3023X
7C3496	224-3268 224-3268X
7C3536	247-5219
7C3570	67956
7C3571	67956
7C3638	KC 28
7C3901	223-1930
7C4163	67949
7C4228	OC 282
7C4297	67821
7C4859	247-5026 247-5219
7C5215	211-4194
7C5957	224-3393 224-3393X
7C6208	226-4579
7C6209	MB-3466W
7C6966	MS-2219P-.25MM
7C6967	MS-2219P-.50MM
7C6976	CB-1620P-.25MM
7C6977	CB-1620P-.50MM
7C7691	127 TC 24094 000
7C7980	67956
7C8609	223-3710
7C8632	127 TC 21104 000
7C8939	S41908
7C9381	224-3588 224-3588X
7E 0489	224-3751X
7E0460	127 TC 21003 000
7E0539	224-3028X
7E0558	CB-1622P-25
7E0559	CB-1622P-50
7E1177	223-5511 226-2048 226-2049
7E1749	223-1846
7E2602	127 TC 15121 000
7E2899	S42074
7E3240	54154
7E3428	224-3749X 224-3749X.50MM
7E3835	127 TC 21003 000
7E3888	224-3588 224-3588X

CATERPILLAR	MAHLE
7E3888	226-2020
7E4729	224-2568 224-2568.020 224-2568.040 224-2568X 224-2568X.020 224-2568X.040 225-2738
7E4729(.020)	225-2738.020
7E5213	S41771
7E5665	223-5507
7E6000	54154
7E6047	S41670
7E6167	54163
7E7310	224-3245 224-3245X
7E7589	67948
7E7894	CB-1215P
7E7940	224-3393 224-3393X
7E7997	CB-1621P
7E8700	224-3291
7E8929	224-3244 224-3244X
7E9262	MB-3448W TW-583S
7E9578	211-4194
7F5310	211-2351
7F8294	SH-2178S
7F8295	SH-2178S
7K9201	49353
7L3386	CS54643-3
7M3632	MB-2279AL-25
7M3677	CB-694AL-25
7M4046	SH-2170
7M4925	223-3570
7M4926	223-5505
7M5564	S40538
7M7360	211-2489
7M7821	CB-619AL
7M7826	CB-619AL-30
7M8485	CS54643-3
7M8695	224-3202X
7M9286	MB-2581AL
7M9287	MB-2580AL
7M9288	MB-2580AL-30
7M9290	MS-957AL

CATERPILLAR	MAHLE
7M9291	MS-958AL
7N0572	211-3339
7N0626	54154
7N0737	224-3275 224-3275X
7N0940	211-2494
7N0943	226-4506 226-4506X
7N1192	MB-2848AL-25
7N1194	MB-2848AL-50
7N1363	CB-694AL-25
7N1366	224-3185 224-3185X
7N1438	MB-2279AL-25
7N1630	211-2494
7N2048	SH-2169
7N2394	CB-1621P
7N3230	223-3709
7N3782	MB-2733P
7N3783	MB-2734P
7N4332	223-3705
7N4515	224-3026 224-3026X
7N4580	211-2494
7N4651	127 TC 15120 000
7N5033	224-3022X
7N5035	224-3022X
7N5036	224-3022X
7N5681	226-4505 226-4505X
7N7386	54218
7N7696	247-5050 247-5218
7N7748	127 TC 15122 000
7N7999	54163
7N8175	MS19416
7N8757	CB-778AL
7N8947	TW-583S
7N9342	MB-3451W TW-693S
7N9803	223-1836
7N9804	223-1829
7N9805	223-1835
7N9806	223-1833
7N9807	223-1839
7N9809	223-1831

CATERPILLAR	MAHLE
7N9810	223-1832
7N9850	127 TC 15120 000
7R6541	223-5506
7S6767	211-2492
7S6792	224-3034 224-3034X
7S8378	S40963
7S8809	211-2491
7S9347	223-3707 CB-694AL
7S9404	S40963 S41394
7S9439	MB-2581AL MS-957AL MS-958AL
7S9843	MS-958AL
7S9844	MB-2581AL-10 MS-957AL-10 MS-958AL-10
7S9845	MB-2580AL-20 MB-2581AL-20 MS-957AL-20 MS-958AL-20
7S9862	MS-958AL-10
7S9863	MS-958AL-20
7W 9416	MB-3456P
7W-9415	CB-1620P
7W0552	224-3394 224-3394X
7W1670	211-2491
7W2059	54151
7W2136	CB-694AL
7W2326	OC 42
7W2327	OC 37
7W3550	226-4506 226-4506X
7W3668	224-3268 224-3268X
7W4487	GS33506
7W5497	OC 484
7W5844	223-3712
7W6221	OC 37
7W6952	S41908
7W7413	247-5150
7W8064	211-4193
7W8860	OS32216
7W9414	MB-3455P

CATERPILLAR	MAHLE
7W9417	MB-3454P
7W9568	127 TC 21003 000
7W9955	54215
7X2521	CS54192
7X2617	CS54163-1
7X2632	HS54154-4
7X2829	HS54192-6
7X2833	JV5124
7X2862	JV5049
7X2863	JV1672
7X2908	223-5543
7X7657	EK3533VR
7X7917	CS54163-1
812608	223-5543
814662	KC 6
821630	72222
894975	72222
8B0375	226-4465 226-4465X
8C0624	CS54643-3
8C4455	CS54154-14
8C4457	FS4966B JV5049
8C5051	JV5128
8C5230	72327 CS54643-3
8C5704	EK0102VR FS4966B HS54154-4
8C5799	FS4966B JV1674
8C6715	CS54163-4
8C6716	CS54163-4
8C6730	FS4966B
8C8432	CS54100-4
8C8480	JV5049
8C8741	JV1713
8C8744	JV1714
8C8745	JV1711
8C8805	HS54163-1
8F8571	226-4465 226-4465X
8F9284	223-1831
8H1993	211-2351
8H1994	211-2352
8H7097	211-3324

CATERPILLAR	MAHLE
8H8969	49353
8H9654	SH-2170
8J4351	CS54643-3
8L2779	GS33506
8L2786	CS54643-3
8L3440	223-3705
8L3443	223-1839
8L4066	224-3271
8L4166	224-3271
8M1916	218-7805
8M4505	247-5136
8M4776	KC 28
8M4986	CS54643-3
8M6487	223-1835
8N 0702	223-3707
8N 8224	MB-2580AL
8N0701	223-3569
8N0705	223-3705
8N0706	223-3709
8N0822	S41159
8N0875	211-2492
8N1605	224-3244 224-3244X
8N1606	224-3244 224-3244X
8N1608	223-1830
8N1849	223-3706
8N1985	223-3708
8N2018	223-3586
8N2219	CB-619AL
8N2275	223-3570
8N3102	224-3368 224-3368X
8N3180	224-3369X
8N3182	224-3369 224-3369X
8N3723	211-3324
8N4774	127 TC 15121 000
8N4935	THD 1 82
8N5337	CB-694AL
8N5339	CB-694AL-25
8N5346	MB-2279AL-25
8N5421	MB-2848AL
8N5422	MB-2848AL-25
8N5423	MB-2848AL-50
8N5426	CB-1262AL

CATERPILLAR	MAHLE
8N5427	CB-1262AL-25
8N5428	CB-1262AL-50
8N5536	224-2188
8N5621	CB-1232AL
8N5676	226-4465 226-4465X
8N5760	S41329
8N6308	CB-1599P
8N6861	226-4542 226-4542X
8N7294	223-5506
8N7295	223-5507
8N7296	223-5508
8N730	MB-2734P
8N731	MB-2735P
8N7764	MB-2597AL MS-1058AL MS-1059AL
8N7769	CB-970AL
8N7770	CB-970AL-25
8N7924	MB-2585AL-25
8N7933	CB-964AL
8N7934	CB-964AL-25
8N7935	CB-964AL-50
8N8058	223-5507
8N8064	223-5506
8N8219	CB-619AL
8N8220	CB-619AL
8N8221	CB-619AL-10
8N8222	CB-619AL-20
8N8223	CB-619AL-30
8N8225	MB-2580AL MB-2580AL-10 MS-1113AL-10 MS-1114AL-10 MS-957AL-10 MS-958AL-10
8N8226	MB-2580AL-20 MS-1113AL-20 MS-1114AL-20 MS-957AL-20 MS-958AL-20
8N8227	MB-2580AL-30 MS-1113AL-30 MS-1114AL-30
8N8926	MS-1422P-10
8N8929	MS-1422P
8N8929(.030)	MS-1422P-30

CATERPILLAR	MAHLE
8N8931	MS-1422P-20
8N8971	MS-1593P-20
8N8972	MB-2733P-20 MS-1420P-20 MS-2020P-20
8N8973	MS-1593P
8N8976	MB-2733P-10 MB-2733P-30 MS-1420P-10 MS-2020P-10
8N9019	MS-1592P-20 MS-1593P-20
8N9021	MS-1592P MS-1593P
8N9022	MB-2734P-10 MS-1420P-10 MS-1421P-10 MS-2020P-10
8N9023	MB-2734P-20 MS-1420P-20 MS-1421P-20 MS-2020P-20
8N9064	MB-2735P-20 MS-1420P-20 MS-1421P-20
8N9065	MB-2735P-10 MS-1420P-10 MS-1421P-10
8N9067	MB-2930P MS-1592P MS-1593P
8N9068	MS-1592P-20 MS-1593P-20
8N9174	226-4505 226-4505X
8S1605	VS50315
8S1965	OS32224
8S2240	226-4518 226-4518X
8S2669	226-4493 226-4493X
8S3978	MS-1113AL
8S3979	MS-1113AL-10
8S3980	MS-1113AL-20
8S3981	MS-1113AL-30
8S3982	MB-2580AL
8S3983	MB-2580AL-10
8S3984	MB-2580AL-20
8S3985	MB-2580AL-30

CATERPILLAR	MAHLE
8S4190	72327
8T0659	GS33506
8T1607	JV5125
8T1622	HS54163-3
8T2466	JV1712
8T6677	FS4966B
8T6678	FS4966B
8T6930	CS54154-13
8T6955	HS54163-12
8T7039	CS54163-7
8T7065	JV1710
8T7142	72327
8T7258	72218
8T7320	72222
8T7452	OC 484
8T9485	JV5125
8T9486	CS54100-3
8T9845	JV5128
8X5051	JV5128
981242	223-5506
9D6581	49353
9H1224	S40538
9H2739	MB-2580AL
9H2740	247-5136
9H3987	CB-619AL
9H4015	223-5503
9H4016	223-1829 223-1831
9H5874	226-4518 226-4518X
9L2316	223-1829
9L5792	MB-2734P
9L5854	223-7146
9L6053	224-3275 224-3275X
9L6266	247-5216
9L6266	247-5216
9L6935	S41394
9L7128	MB-2734P
9L7605	247-5216
9L7622	218-7807
9L7651	CB-972P
9L7682	211-2455
9L7683	211-2456
9L7785	MB-2734P-20
9L7786	MB-2735P-10

CATERPILLAR	MAHLE
9L7787	MB-2735P-20
9L7788	CB-972P-10
9L7789	CB-972P-20
9L7945	MB-2734P
9L7946	MB-2735P
9L7950	MB-2734P-10
9L7951	MB-2735P-10
9L7952	MB-2734P-20
9L7984	MB-2734P-10
9L7985	MB-2734P-20
9L8016	OS32178
9L8051	218-7807
9L8072	SH-1245S
9L8108	223-1836
9L8338	MB-2734P
9L8363	CB-972P
9L8377	211-2456
9L8382	223-3569
9L8865	54151
9L9098	GS33506
9L9120	54151
9L9164	54151
9L9232	247-5216
9L9244	211-2456
9L9324	CB-972P
9L9413	MB-2735P
9L953	MB-2735P-20
9L9612	S41883
9L9641	218-7807
9L9851	211-2455
9L9889	223-1836
9M3205	218-7806
9M3892	CB-778AL
9M4163	211-2489
9M4871	CB-778AL-25
9M5477	SH-2171
9N0300	247-5007
9N0303	247-5007
9N0304	247-5007
9N0305	247-5007
9N0875	S41883
9N1034	CB-1215P-20
9N1035	CB-1215P-10
9N1354	223-3628
9N2601	CB-1215P

CATERPILLAR	MAHLE
9N2837	218-7807
9N2873	224-3275
9N2874	224-3275 224-3275X
9N3017	THD 1 82
9N302	MB-2733P
9N3047	MB-2735P-20
9N3050	CB-972P
9N3052	CB-972P-20
9N3053	CB-972P-10
9N3054	MB-2733P-20
9N3055	MB-2733P-10
9N3058	MB-2735P-10
9N3059	MB-2734P-10
9N3060	MB-2734P-20
9N397	CB-1215P
9N5082	223-3628
9N5246	SH-1245S SH-2178S
9N5250	224-3034 224-3034X
9N5283	MB-2734P-10
9N5403	226-1882
9N5405	224-2188
9N5790	CB-1215P
9N5791	MB-2735P
9N5792	MB-2734P
9N5793	MB-2733P
9N5920	CB-1215P-10
9N5921	CB-1215P-20
9N5923	CB-972P
9N5924	CB-972P-10
9N5925	CB-972P-20
9N6117	211-2491
9N6220	247-5007
9N6221	247-5007
9N6275	226-4487
9N6321	CB-1262AL
9N6337	224-2188X
9N7439	72218
9N8013	247-5216
9N875	S41883
9S2263	S41908
9S2266	224-3275 224-3275X
9S3029	S42139

CATERPILLAR	MAHLE
9S3037	MB-3057W TW-409S
9S3038	67821
9S3068	S40963
9S6557	226-4493 226-4493X
9S8704	226-1685 S40574
9S8913	224-3369
9S8973	S40538
9S9040	217-4063
9S9140	217-4063
9S9160	THD 1 82
9S9699	218-7805
9X2518	HS54163-1
9X4402	KC 28
9X6288	JV5049
9X6425	FS4966B
9X6473	CS54154-5 FS4966B
9X6573	JV5049
9X7317	VS50464
9X7418	VS50464
9X7419	VS50464
9X7430	GS33507
9X8319	FS4966B HS54154-7
9X8563	JV5128
9X8567	JV5121
9Y1915	224-3023 224-3023X
9Y2991	SH-2172
9Y2992	SH-2173
9Y3116	224-3268 224-3268X
9Y3368	223-8016
9Y4004	224-3244 224-3244X
9Y4124	224-3394 224-3394X
9Y4402	KC 28
9Y4403	KC 28
9Y4421	KC 6
9Y4458	OC 42
9Y4468	OC 282
9Y4479	OC 37
9Y4516	KC 6

CATERPILLAR	MAHLE
9Y4517	247-5218
9Y4582	MS19416
9Y5381	247-5151
9Y5413	247-5150
9Y5559	224-2188X
9Y6773	224-2568 224-2568.020 224-2568.040 224-2568X 224-2568X.020 224-2568X.040
9Y7212	224-3245 224-3245X
9Y7735	CB-1622P
9Y7786	54154
9Y8371	224-3586 224-3586X
9Y8847	B45898
9Y9497	CB-1262AL
9Y9889	224-3023 224-3023X
9Y9895	67767

MAHLE	CATERPILLAR	MAHLE	CATERPILLAR	MAHLE	CATERPILLAR
127 TC 15120 000	0R5796 4N6858 6N7155 7N4651 7N9850	127 TC 21104 000	7C8632	127 TC 24111 000	0R6988 0R7087 0R7199 0R7202 1243031 1243034 1312427 1323651 1418935 1418938 1767716 1965949
127 TC 15121 000	0R5824 6N6515 6N8477 6N8566 7E2602 8N4774	127 TC 21201 000	10R1887 10R2407 2331589 2331592 2331596 251-4820	127 TC 24112 000	0R6990 0R7204 0R7205 0R9928 1243759 1323649 141-8940
127 TC 15122 000	0R5807 7N7748	127 TC 21202 000	10R8733 2592400 2847707	127 TC 24113 000	0R7275 0R7285 0R7924 1598542 1616352 1965952
127 TC 15123 000	5I8018	127 TC 21204 000	10R1888 2316616 232-1811 232-5811 2321805	127 TC 24114 000	0R6940 0R6986 0R6989 0R7140 0R7152 0R7201 0R7203 0R7223 0R7283 0R7299 0R7310 0R7923 1169582 1169586 1243032 1243035 1366390 1374832 1418937 1418939 1464328 1605548 1666752 167-9271 1965951 3374832
127 TC 17332 000	0R5809 4N8969 6N1571	127 TC 21205 000	10R2027 2314140 2314142 239-5581 2395583	127 TC 24116 000	0R6694 0R6935
127 TC 21003 000	0R5733 0R6051 0R6053 0R6169 0R6170 0R6689 0R6957 0R6960 102-9429 1198518 4P2064 4P2458 7E0460 7E3835 7W9568	127 TC 21206 000	10R1103 10R3280 228-3228 269-2920		
127 TC 21005 000	0R7279 0R9865 195-5993	127 TC 21208 000	0R7569 0R75690 162-9103 191-8028 192-0949 193-5867 198-8717 198-8718 198-8720 198-8721 198-8722 198-8723 198-8724 198-8725 198-8726 198-8727		
127 TC 21101 000	0R6973 0R9802 10R0364 120-8362 161-4378 177-1063 177-1064 195-6029 195-6031 198-1845 198-1846	127 TC 21211 000	10R1795 2375271		
127 TC 21102 000	0R5812 4N9617 4N9618	127 TC 21213 000	0R7296 0R7573 166-0327 1918019		
127 TC 21103 000	0R5385 4N9544	127 TC 24088 000	0R6877		
127 TC 21104 000	0R6342	127 TC 24094 000	0R6333 7C7691		
		127 TC 24100 000	0R6167 4P2061		

MAHLE	CATERPILLAR
127 TC 24116 000	0R6984 0R7142 0R7200 0R7284 1169574 1243030 1367619 1418936 1605550 6I4574
127 TC 24162 000	0R6165 4P2059
127 TC 24163 000	0R6166 4P2060
127 TC 24164 000	0R7213
127 TC 24169 000	1106979
127 TC 24174 000	0R6376 155-5463 4P9584
127 TC 27057 000	0R5799 1P0035 1P9136 1W5210 4N6858 4N6859 4N9714
211-2351	2F7916 6H5646 7F5310 8H1993
211-2352	5F8365 5M5828 8H1994
211-2455	9L7682 9L9851
211-2456	9L7683 9L8377 9L9244
211-2489	7M7360 9M4163
211-2491	2476892 2W2621 5S6452 7S8809 7W1670 9N6117
211-2492	5S7232 7S6767 8N0875
211-2493	1085902 1W3859

MAHLE	CATERPILLAR
211-2493	2W2622 3848704 4N5374 4N5654
211-2494	1061111 1152367 1W3860 3848700 4N2271 4N5653 7N0940 7N1630 7N4580
211-3306	1007861 1487455 6N9916
211-3324	3119472 3N1141 4H9804 4N6883 6H3187 8H7097 8N3723
211-3339	1007860 2W2620 6N 9915 7N0572
211-3350	4F0213 6H3026
211-4166	1528380 1537023 2365605 3911106
211-4167	1085911 1527585 1537024 3911107
211-4193	3848705 6I1589 7W8064
211-4194	7C5215 7E9578
211-4281	1220321 3848698
211-4315	1152368
211-4316	1152367
217-3259	1737188 4N2803
217-3260	109030 1787502 2P1262

MAHLE	CATERPILLAR
217-3306	4W3779 6I2865
217-3307	4W3778 6I2864
217-4053	4N3668 5M8023 5S4507
217-4063	2M6414 2M6415 4N3665 4N3666 4N3668 6N2236 9S9040 9S9140
217-4110	1185569 1227375
218-7805	1527582 1M8346 1W5283 4M0386 5M1889 8M1916 9S9699
218-7806	1M8384 4N5893 9M3205
218-7807	9L7622 9L8051 9L9641 9N2837
218-7808	2N8943 4F5619
223-1829	1S5164 7N9804 9H4016 9L2316
223-1830	8N1608
223-1831	3H6767 6F5251 7N9809 8F9284 9H4016
223-1832	3119432 4L3843 7N9810
223-1833	1M6101 7N9806
223-1835	1770450 2956438 7N9805

MAHLE	CATERPILLAR
223-1835	8M6487
223-1836	7N9803 9L8108 9L9889
223-1839	7N9807 8L3443
223-1840	1388506 4W7403 4W8484
223-1846	1687246 7E1749
223-1853	7C0115
223-1930	7C3901
223-1952	1807350 1979291 3512791
223-1962	1687224
223-1964	1013210 1687226
223-3569	8N0701 9L8382
223-3570	7M4925 8N2275
223-3586	1S2353 4P8495 8N2018
223-3628	9N1354 9N5082
223-3695	2W0027
223-3697	1152972
223-3702	1608194
223-3703	4P7377 6I2726
223-3704	1608133 2285820 2296259
223-3705	7N4332 8L3440 8N0705
223-3706	3790196 8N1849
223-3707	7S9347 8N 0702
223-3708	8N1985
223-3709	7N3230 8N0706
223-3710	1181655 7C8609
223-3712	4194650

MAHLE	CATERPILLAR
223-3712	7W5844
223-5502	1S9543
223-5503	9H4015
223-5505	314853 6B2291 7M4926
223-5506	041704 067290 1G6917 1J6473 5E3014 7R6541 8N7294 8N8064 981242
223-5507	3F8513 5Y0372 7E5665 8N7295 8N8058
223-5508	0870324 8N7296
223-5511	7E1177
223-5516	7C0111
223-5531	2502940
223-5543	7X2908 812608
223-5547	1979372
223-7107	1C6448 3S3977 5P8789 7B2124
223-7115	5P9221
223-7124	3831576 5P8970
223-7146	5P8789 9L5854
223-7188	2W6134 3931024 5P8768 5S6670
223-7192	6V3774
223-7195	1183732 1609874 3863048 5P 8057
223-8015	6I4361
223-8016	9Y3368
223-8017	6I4362

MAHLE	CATERPILLAR
223-8146	5P4173
224-2188X.020	1W2070 1W5794 2W8410 6N8903
224-2188X	1N3064 1N3227 1W5792 1W5793 2W4831 9N6337 9Y5559
224-2188	1N3064 1W5792 2W4831 8N5536 9N5405
224-2568.020	7E4729 9Y6773
224-2568.040	7E4729 9Y6773
224-2568X.020	7E4729 9Y6773
224-2568X.040	7E4729 9Y6773
224-2568X	7E4729 9Y6773
224-2568	7E4729 9Y6773
224-3022X	6N6642 7N5033 7N5035 7N5036
224-3023X	7C3406 9Y1915 9Y9889
224-3023	7C3406 9Y1915 9Y9889
224-3026X	3S5501 7N4515
224-3026	3S5501 3S5502 7N4515
224-3028X	7E0539
224-3034X	1P0239 2P6270 4N9258 7S6792 9N5250

MAHLE	CATERPILLAR
224-3034	1P0239
	2P6270
	4N9258
	7S6792
	9N5250
224-3185X	7N1366
224-3185	7N1366
224-3189X	1H5605
	1M3495
	3R3194
	3S4040
	4M9110
	4M9111
	4M9112
224-3189	4M9111
224-3202X	2M5558
	2M5559
	3S4028
	5M1784
	7M8695
224-3231X	3S1826
224-3231	3S1826
224-3244X	1W8901
	1W9372
	2900017
	7E8929
	8N1605
	8N1606
	9Y4004
224-3244	1W8901
	1W9372
	2900017
	7E8929
	8N1605
	8N1606
	9Y4004
224-3245X	2W0865
	7E7310
	9Y7212
224-3245	2W0865
	7E7310
	9Y7212
224-3268X	7C3496
	7W3668
	9Y3116
224-3268	7C3496
	7W3668
	9Y3116
224-3271	4P2654
	8L4066
	8L4166

MAHLE	CATERPILLAR
224-3275X	7N0737
	9L6053
	9N2874
	9S2266
224-3275	7N0737
	9L6053
	9N2873
	9N2874
	9S2266
224-3291	7E8700
224-3297X	1290358
	1W6757
224-3297	1290358
	1W6757
224-3298X	1010016
224-3298	1010016
224-3346X	1300241
224-3347X	1326663
224-3360X	4P2990
224-3360	4P2990
224-3361X	1051710
224-3361	1051710
224-3368X	1290338
	1654262
	8N3102
224-3368	1290338
	1654262
	2704351
	8N3102
224-3369X	2506564
	4N4029
	8N3180
	8N3182
224-3369	2506564
	8N3182
	9S8913
224-3374X	1456744
	1807352
	1917854
224-3375X	1352837
224-3376X	1161372
	1337537
	1495566
224-3377X	1765744
	221-2305
224-3378X	7C2888
224-3392X	1014140
224-3392	1014140
224-3393X	614609

MAHLE	CATERPILLAR
224-3393X	7C5957
	7E7940
224-3393	614609
	7C5957
	7E7940
224-3394X	7W0552
	9Y4124
224-3394	7W0552
	9Y4124
224-3395X	1073565
224-3395	1073565
224-3396X	1548087
	612650
224-3396	1548087
	612650
224-3397	1807352
224-3400	7C2888
224-3586X	1568262
	1684531
	9Y8371
224-3586	1568262
	1684531
	9Y8371
224-3588X	7C9381
	7E3888
224-3588	7C9381
	7E3888
224-3635X	1807351
	1917855
224-3636X	2250115
224-3636	2250115
224-3639X	2485516
	3569946
224-3641X	2326557
	2485514
	2848983
	3067460
	3135534
3564787	
224-3714X.50MM	2382716 (.50MM)
224-3714X	107-7791
	2382716
	4P1546
224-3748X	1290359
	1646560
	4P8132
224-3749X.50MM	7E3428
224-3749X	7E3428
224-3750X	0R8717

MAHLE	CATERPILLAR
224-3750X	1168154
224-3751X	0R4178 1136046 1601131 7E 0489
224-3764X	1723280
224-3767X.050MM	1077563B
224-3767X	1077563
224-3768X	611144
224-3791X	2382698
224-3794X.020	1871513(.020) 2382726(.020)
224-3794X	1871513 2382726
224-3803X	2629288
224-3804X	2627330
224-3806X	1777498 2382729
224-3807X	1014495 4P1550
225-2513.020	1W2071 2W8410
225-2513	1W5723 2W4831 2W4841
225-2738.020	7E4729(.020)
225-2738	7E4729
226-1685	9S8704
226-1690	0R3296
226-1695	0R1694
226-1721	0R3756
226-1733	0R1572
226-1734	0R2694 0R4515
226-1844	0R4283
226-1855	0R2861 20R1118
226-1861	0R3661 4P2654
226-1882	0R1695 9N5403
226-1889	0R1696
226-1898	0R2413
226-1901	0R2975
226-1918	0R3782 0R4596
226-1922	0R4281
226-1967	0R1692

MAHLE	CATERPILLAR
226-1967	2506556
226-1968	0R1697 2704353
226-1969	0R8915 10R8616
226-1970	0R8333
226-1971	0R8913
226-1972	0R8017
226-1973	0R4487 0R8333
226-1974	0R4635
226-1975	0R4506
226-1976	0R4449
226-1977	0R4451
226-1978	0R4446
226-1988	0R3043
226-2020	7E3888
226-2038	0R4178
226-2042	0R8200
226-2047	0R4488
226-2048	0R9942 1326663 1609874 1687246 1765749 1777496 1807351 1899771 7E1177
226-2049	10R1503 1326663 1609874 1687246 1765749 1899771 2250115 2257010 7E1177
226-2054	10R3304
226-2057	0R8717
226-4465X	2B3712 3H3475 3H6015 5F6710 6N2842 6N5398 8B0375 8F8571 8N5676
226-4465	2B3712

MAHLE	CATERPILLAR
226-4465	3H3475 3H6015 5F6710 6N2842 6N5398 8B0375 8F8571 8N5676
226-4487	9N6275
226-4493X	1105800 2P8889 3715941 5S6346 6N8052 8S2669 9S6557
226-4493	1105800 2P8889 3715941 5S6346 8S2669 9S6557
226-4505X	1S1160 1S2587 3148531 4H8625 5M8256 7N5681 8N9174
226-4505	1S1160 1S2587 3148531 4H8625 5M8256 7N5681 8N9174
226-4506X	1599778 1979322 1979384 1W6280 2382700 2W6000 4N1627 7N0943 7W3550
226-4506	1979322 1W6280 2W6000 4N1627 7N0943 7W3550
226-4518X	3S1850

MAHLE	CATERPILLAR
226-4518X	8S2240 9H5874
226-4518	3S1850 8S2240 9H5874
226-4542X	1238206 8N6861
226-4542	1238206 8N6861
226-4557X	1106993 1189494 2117826
226-4557	1106993 1189494 2117826
226-4579	7C6208
226-4617X	1979322
226-4626	1077604
247-5007	0R1100 0R1210 0R1211 0R4189 0R5052 0R5163 2W0085 3685914 9N0300 9N0303 9N0304 9N0305 9N6220 9N6221
247-5026	0R1218 1170456 1W6206 1W6207 2423429 2W0440 2W2300 2W2585 7C4859
247-5050	0R1238 2423439 2W7458 2Y4517 3348389 4N7693 5Y1546 7N7696
247-5067	0R1237 2423440

MAHLE	CATERPILLAR
247-5067	2698764 2W7960 2Y4515 3370872 4N7692 4N7694
247-5103	0R2546 0R5164 1W0401 1W9771 2W8367 3685919 4N0112
247-5136	2M8215 4M9952 8M4505 9H2740
247-5146	0R3972 3685916 4P4334 6I1453
247-5147	0R2657 1W5008 1W5009
247-5150	0R2812 2619648 2W4088 4W7412 4W7679 7W7413 9Y5413
247-5151	0R2525 1W6213 2619647 4N7755 4W9078 9Y5381
247-5203	0R2806 1051725 2275480 4W3498
247-5216	9L6266 9L6266 9L7605 9L9232 9N8013
247-5217	0R1213 0R1237 0R1239 0R5167 2423440 2698764

MAHLE	CATERPILLAR
247-5217	2W7960 2Y4515 3370872 4N7692 4N7694 5S5252
247-5218	0R1215 0R1217 0R2522 0R5173 2423439 2W7458 2Y4517 3348389 4N7693 4N7696 4W7693 5Y1546 7N7696 9Y4517
247-5219	0R1218 0R1219 0R2523 0R5028 1170456 1W6206 1W6207 2W0440 2W2300 2W2585 2W7458 4N0006 6N3906 7C3536 7C4859
247-5222	0R2539 0R7771 1533928
247-5227	0R8502 10R2317 1527625 2410221
247-5231	0R9906 1601799
247-5232	0R2235 1608147 2611544
247-5233	10R3075 2219362 3133996
247-5234	10R2110 2219364

MAHLE	CATERPILLAR
247-5234	2388373 3133997
247-5235	0R4742 1253005 5I7671
49353	5P0091 7K9201 8H8969 9D6581
54100	3775838 4P8915
54151	2W1672 3801548 4W0045 6N8505 7C1599 7W2059 9L8865 9L9120 9L9164
54154	2W7983 6I3066 7E3240 7E6000 7N0626 9Y7786
54156	1077832 4P6930
54163	1118015 2794977 7E6167 7N7999
54214	1539653 2066954 6I4420
54215	6I4689 7W9955
54218	7N7386
54235	3807386 5S6281 6N7263
54643	2245122
67645	3256191 4W0452
67656	1425868 2W1734 4P2734
67741	1425867 2W1733 4P1724 4P2733

MAHLE	CATERPILLAR
67767	5S6296 9Y9895
67821	1W2556 3256192 6N8853 7C4297 9S3038
67948	1154120 2223910 7E7589
67949	1192921 2457339 7C4163
67950	4R8831
67956	1154109 2223909 7C3570 7C3571 7C7980
72013	1136303
72121	1195155
72218	0773822 1593993 2C1865 2D0596 5E2517 5E8950 6F6673 780735 781964 8T7258 9N7439
72222	007672 055758 0779911 0A4601 2D1519 2R2658 3D5909 4F7952 5D1478 773297 773846 774718 781973 821630 894975 8T7320
72327	2S2251 4F8824 787215 792099

MAHLE	CATERPILLAR
72327	8C5230 8S4190 8T7142
B45886	6N7174
B45898	1193036 4P7750 9Y8847
B45957	1478214
B45978	1026229 1632478
CB-1215P-10	6N9837 9N1035 9N5920
CB-1215P-20	6N9838 9N1034 9N5921
CB-1215P	4W8090 7E7894 9N2601 9N397 9N5790
CB-1232AL	1W8539 6N6991 8N5621
CB-1262AL-25	4W5702 6N4166 8N5427
CB-1262AL-50	4W5703 6N4167 8N5428
CB-1262AL	1W7524 6N3908 6N7436 8N5426 9N6321 9Y9497
CB-1599P-10	1N3821
CB-1599P-20	1N3822
CB-1599P	8N6308
CB-1620P-.25MM	7C6976
CB-1620P-.50MM	7C6977
CB-1620P	2246638 7W-9415
CB-1621P	1077330 1W7538 7E7997 7N2394
CB-1622P-25	7E0558
CB-1622P-50	7E0559
CB-1622P	1175973

MAHLE	CATERPILLAR
CB-1622P	1548083
	1556633
	2170578
	3285573
	4194669
	9Y7735
CB-1814P	2978934
CB-1931P	1161089
	2920484
CB-1932P-.25MM	2822478
CB-1932P	2133190
CB-1933P-25	2323235
CB-1933P	2243246
CB-1941P-.50MM	1280390
	1193782
	2170577
CB-619AL-10	2S0502
	8N8221
CB-619AL-20	1C6322
	2S0503
	8N8222
CB-619AL-30	2M8205
	4L4941
	7M7826
	8N8223
CB-619AL	1C6344
	3342669
	4L9855
	4N6258
	4W5739
	7M7821
	8N2219
	8N8219
	8N8220
	9H3987
	CB-694AL-25
7M3677	
7N1363	
8N5339	
CB-694AL	3S3285
	4M8196
	6N8760
	7S9347
	7W2136
	8N5337
	CB-778AL-25
5H5993	
9M4871	
CB-778AL	1N4336
	4H9884
	7N8757

MAHLE	CATERPILLAR
CB-778AL	9M3892
CB-964AL-25	4S9276
	8N7934
CB-964AL-50	4S9277
	8N7935
CB-964AL	4S6834
	8N7933
CB-970AL-25	6N6231
	8N7770
CB-970AL	4L3763
	6L7841
	8N7769
CB-972P-10	9L7788
	9N3053
	9N5924
CB-972P-20	9L7789
	9N3052
	9N5925
CB-972P	9L7651
	9L8363
	9L9324
	9N3050
	9N5923
CS4930A	1873252
	5P9564
CS54100-2	6V0605
CS54100-3	3935197
	8T9486
CS54100-4	6V4778
	8C8432
CS54100-5	1208883
	1417274
	1417953
	4181951
CS54100-6	5P9415
CS54100-7	6V0607
CS54154-13	1414117
	8T6930
CS54154-14	8C4455
CS54154-15	1104899
CS54154-16	1294498
CS54154-2	3E4328
CS54154-4	3911092
	6V9221
CS54154-5	9X6473
CS54154-6	3E4326
CS54154-7	5P8108
CS54163-1	1208997
	1343037

MAHLE	CATERPILLAR
CS54163-1	1363686
	1366942
	1369326
	1402245
	1410280
	1417445
	1419305
	1428128
	1433778
	1475544
	1476171
	1491189
	1493955
	1493972
	1494914
	1498301
	1500330
1515837	
1627554	
1870605	
3825055	
3925441	
6V8024	
7X2617	
7X7917	
CS54163-2	5P8767
CS54163-3	5P9099
CS54163-4	1409043
	1420403
	1437702
	1463110
	1465750
	1465809
	1498374
	1554265
	1592977
	1873255
6V5975	
6V8027	
8C6715	
8C6716	
CS54163-5	6V2514
CS54163-6	3925540
	6V8023
CS54163-7	3918604
	8T7039
CS54192	2664325
	2U2623
	7X2521
CS54214-11	1535527
	1572849
CS54214-1	1165885

MAHLE	CATERPILLAR
CS54214-1	1248899
CS54214-2	1309035
CS54214-3	1429672
CS54214-4	1803446
CS54214-5	1321195
	1596080
	1630054
	2144150
CS54214-7	1190957
CS54214-8	1127990
	1248898
CS54214-9	1209328
CS54643-1	1905978
	2138113
	2572756
	3211415
CS54643-2	2969949
CS54643-3	061-7540
	0619457
	1069586
	1090072
	1090078
	114-2687
	1185068
	121-0145
	1367227
	1J9671
	2M9780
	2P3760
	2P4305
	3K0360
	3P0650
	4F7390
	4N0699
	4N3661
	5P7701
	6V5048
	6V5049
	6V5266
	6V6228
	6V8398
	7C0307
	7L3386
	7M8485
	8C0624
	8C5230
	8J4351
	8L2786
	8M4986
CS54841-1	2974835
	2978934

MAHLE	CATERPILLAR
CS54841-1	3259639
	3341066
CS54841-2	2975406
	3086327
	3087214
	3259469
EK0102VR	1412222
	2193501
	2221177
	2902060
	8C5704
EK0202	2266070
	2310649
EK3529	2682932
EK3530	2646898
EK3531	6V0602
	6V0603
EK3532	2348020
	6V2209
	6V2523
EK3533VR	1464229
	2339474
	4N1151
	7X7657
EK3534VR	2326652
	4N1151
	5P8053
EK3535VR	2161252
	4N1151
EK3536	2144150
	2486740
EK3537	1685248
	2486744
	2533442
	2572754
	2969934
	3211418
EK3538	2486744
	2533442
	2572754
	2969934
	3164810
	3211418
FS4966A	2341874
FS4966B	1569232
	1609367
	1895136
	2322922
	2326574
	2326652
	2339474

MAHLE	CATERPILLAR
FS4966B	5P8366
	6V9221
	6V9890
	6V9891
	8C4457
	8C5704
	8C5799
	8C6730
	8T6677
	8T6678
	9X6425
	9X6473
	9X8319
GS27706	3S9643
GS33506	5P2060
	7W4487
	8L2779
	8T0659
	9L9098
GS33507	1662903
	1662904
	9X7430
GS33521	1895390
	2481394
GS33635	1891814
GS33636	3056220
GS33655	2974829
	3085804
	3132169
	3259470
	3451909
GS33657	1698598
	2974841
GS33658	2634016
	2730302
GS33660	2690064
	3125932
GS33666	3184328
	3184348
	3189648
	3255171
HS4966	6V2531
HS54100-4	6V0602
	6V0603
HS54154-15	1104900
	2310649
HS54154-17	1208902
	1271476
	1381915
	2193501
HS54154-18	1412222

MAHLE	CATERPILLAR
HS54154-18	1415507
	1560936
	1560937
HS54154-1	2266070
	3E3350
HS54154-2	2326652
	5P8053
	6V9890
HS54154-4	1113359
	1416306
	1606686
	2902060
	3931027
	4380149
	7X2632
	8C5704
HS54154-7	1464229
	2339474
	9X8319
HS54154-9	5P8366
HS54156-1	1002953
HS54163-11	1293329
	1551381
	3825070
	3918256
	3E7471
HS54163-12	1406143
	1475474
	1551379
	3863815
	3924479
8T6955	
HS54163-1	1551380
	8C8805
	9X2518
HS54163-3	8T1622
HS54163-7	2348002
	2348008
	3920166
	6V4705
	6V4784
HS54163-8	2347988
	3872925
	3E8898
HS54163-9	3872918
	6V2526
	6V2527
	6V2528
HS54192-2	1002951
	1002952
	2682932

MAHLE	CATERPILLAR
HS54192-2	2812813
	3872921
	3E3340
HS54192-3	2646898
	3825069
	3E3325
HS54192-6	7X2829
HS54214-1	1127995
	1182980
	1353449
	1358810
	1449542
	1572705
	1891944
2161252	
3683008	
HS54214-2	1891949
	1895389
	2144256
	2188569
	2281630
2486740	
HS54218-1	5P9414
HS54218-3	3911091
	6V0260
	6V0600
	6V2246
HS54235-2	5P1988
	5P9098
	6V0712
HS54235-3	6V0715
HS54515	1030081
	1564173
	1873615
2400205	
HS54643-3	2572754
HS54643-4	2969934
	3211418
	3953837
HS54643-6	2486744
HS54643-7	2533442
	3164810
HS54841-1	3085931
	3086320
	3086346
HS54841-2	3205170
	3259472
	3313950
	3313950
HS54841-3	287-8787
	297-5350
	2974830

MAHLE	CATERPILLAR
HS54841-3	298-2111
HS54841-4	3085691
	3184327
	3312891
JV1672	1609367
	2326574
	6V8608
7X2863	
JV1674	2322922
8C5799	
JV1686	1383069
JV1698	1127994
	1177094
	1228906
	1361115
	1450311
	1625231
	1627123
	1635637
1717264	
2144240	
2323679	
JV1700	2024973
	2226726
	2341877
3211417	
JV1701	1555619
	2519351
	2853200
JV1706	1452262
	5P9570
6V2982	
JV1707	5P9571
	6V2983
JV1708	6V5976
JV1710	2801470
	8T7065
JV1711	6V0896
	6V2921
	8C8745
JV1712	3936199
	6V1680
	8T2466
JV1713	1417278
	1498303
	6V1659
	8C8741
JV1714	6V1336
	6V2552
	8C8744
JV1731	2900528

MAHLE	CATERPILLAR
JV1731	2919157
JV1732	2023253
	2243871
	2305003
	2908676
JV5047	1018643
JV5049	1138207
	1176527
	1177096
	1178747
	1183798
	1243008
	1269507
	1290431
	1290434
	1321404
	1350233
	1361114
	1381988
	1386741
	1409031
	1422216
	1436304
	1458991
	1496026
	1513025
	1540170
	1570625
	1571376
	1625291
	1895136
	2039188
	2341874
	3E6292
	6V9222
	6V9907
	7X2862
	8C4457
	8C8480
	9X6288
	9X6573
JV5089	1127992
	1190905
	1252428
	1269506
	1290433
	1290435
	1332271
	1423320
	1895135
	2341866
JV5093	1439609
	1582389

MAHLE	CATERPILLAR
JV5093	1583155
	1599600
	1655145
	1774347
	1895133
	2336984
JV5104	2341633
JV5105	2192889
	2341904
	3211416
JV5106	2390998
JV5107	2533435
	2969852
	3483681
JV5115	1402246
	3833710
	3918229
JV5116	5P9100
JV5117	3918229
	6V1658
JV5118	5P8769
	6V4763
	6V7460
JV5120	1208998
	3918229
JV5121	1387720
	3925434
	6V5978
	9X8567
JV5122	6V1549
	6V2509
JV5123	6V2466
JV5124	3918229
	7X2833
JV5125	3833704
	3925434
	8T1607
	8T9485
JV5126	6V0611
JV5127	3880661
	3918229
	6V4785
JV5128	1387720
	3925434
	6V2501
	8C5051
	8T9845
	8X5051
	9X8563
JV5147	5P9416

MAHLE	CATERPILLAR
JV5148	3918229
	3933625
	5P9568
JV5164	2974828
	2975348
	2975867
	2976163
	2976380
	2978786
	2982108
	2982733
	3077923
	3085802
	3085822
	3133512
	3133975
	3134422
	3189647
	3291383
JV5165	2974827
	3125775
	3255169
KC 227	1006374
	1174089
	1383100
KC 28	1A3479
	1P2299
	1P2999
	1R0511
	1R0711
	1R0740
	1R740
	1W8633
	311143
	311144
	5A6717
	6L7440
	6N3784
	777261
	7C3638
	8M4776
	9X4402
	9Y4402
	9Y4403
KC 430D	1290373
	1335671
	1335673
KC 6	5W3394
	814662
	9Y4421
	9Y4516
MB-2279AL-25	7M3632
	7N1438

MAHLE	CATERPILLAR
MB-2279AL-25	8N5346
MB-2580AL-10	2S0504 3148652 3148652C 4S8881 8N8225 8S3983
MB-2580AL-20	2S0506 2S5207 3769081 3769081C 4S8883 7S9845 8N8226 8S3984
MB-2580AL-30	2M8161 2S2743 2S7423 3769082 3769082C 4S8885 7M9288 8N8227 8S3985
MB-2580AL	1C6327 2323233 3769085 3769085C 3S9730 4W5738 7M9287 8N 8224 8N8225 8S3982 9H2739
MB-2580W	6N8940
MB-2581AL-10	2S505 7S9844
MB-2581AL-20	2S507 7S9845
MB-2581AL	1M5295 7M9286 7S9439
MB-2585AL-25	4S9396 8N7924
MB-2597AL	2N7048 4L4647 8N7764
MB-2733P-10	8N8976 9N3055
MB-2733P-20	8N8972

MAHLE	CATERPILLAR
MB-2733P-20	9N3054
MB-2733P-30	4W8093(.030) 8N8976
MB-2733P	1W 312 1W0312 4W8093 6N8745 6N8749 7N3782 9N302 9N5793
MB-2734P-10	8N9022 9L7950 9L7984 9N3059 9N5283
MB-2734P-20	8N9023 9L7785 9L7952 9L7985 9N3060
MB-2734P-30	4W8092(.030)
MB-2734P	1W 311 1W0311 4W8092 6N8746 7N3783 8N730 9L5792 9L7128 9L7945 9L8338 9N5792
MB-2735P-10	8N9065 9L7786 9L7951 9N3058
MB-2735P-20	8N9064 9L7787 9L953 9N3047
MB-2735P	4W8091 6N8747 8N731 9L7946 9L9413 9N5791
MB-2848AL-25	4W5698 6N4168 7N1192 8N5422

MAHLE	CATERPILLAR
MB-2848AL-50	4W5699 6N4170 7N1194 8N5423
MB-2848AL	1175975 1N3542 1W6589 2110592 2170390 3178766 4W5492 6N3909 6N8743 8N5421
MB-2930P	8N9067
MB-3057W	9S3037
MB-3414P-10	1W1665
MB-3414P	1W0311 1W0311
MB-3415P-10	1W1661
MB-3415P	1W0312
MB-3448W	2531752 7E9262
MB-3451W	1003652 7N9342
MB-3454P	see online catalog
MB-3455P	see online catalog
MB-3456P	1077602 2124893 7W 9416
MB-3466P	1050253 1496031
MB-3466W	2W0646 7C6209
MB-3975P-.50MM	1280382
MB-3975P	2110588
MB-3976P-.50MM	1280400
MB-3976P	2110587
MB-3977P-.25MM	2821771
MB-3977P	1512939
MS-1058AL	8N7764
MS-1059AL	8N7764
MS-1113AL-10	8N8225 8S3979

MAHLE	CATERPILLAR
MS-1113AL-20	8N8226 8S3980
MS-1113AL-30	8N8227 8S3981
MS-1113AL	2323233 8S3978
MS-1114AL-10	8N8225
MS-1114AL-20	8N8226
MS-1114AL-30	8N8227
MS-1114AL	1969534 2323233
MS-1420P-10	8N8976 8N9022 8N9065
MS-1420P-20	8N8972 8N9023 8N9064
MS-1420P-30	4W8091(.030) 4W8092(.030) 4W8093(.030)
MS-1420P	4W8091 4W8092 4W8093
MS-1421P-10	8N9022 8N9065
MS-1421P-20	8N9023 8N9064
MS-1421P-30	4W8091(.030) 4W8092(.030)
MS-1421P	4W8091 4W8092
MS-1422P-10	4W9022 4W9065 8N8926
MS-1422P-20	4W9023 4W9064 8N8931
MS-1422P-30	4W8091(.030) 4W8092(.030) 8N8929(.030)
MS-1422P	4W8091 4W8092 8N8929
MS-1592P-20	8N9019 8N9068
MS-1592P	8N9021 8N9067
MS-1593P-20	8N8971 8N9019 8N9068

MAHLE	CATERPILLAR
MS-1593P	8N8973 8N9021 8N9067
MS-2000P-10	1W1655 1W1661 1W1661(3)1W1655(2)
MS-2000P	1003652 1W0311 1W0312 1W0312(3)1W0311(2)
MS-2020P-10	8N8976 8N9022
MS-2020P-20	8N8972 8N9023
MS-2020P-30	4W8092(.030) 4W8093(.030)
MS-2020P	4W8092 4W8093
MS-2064P	1969516
MS-2219P-.25MM	1450162 2295153 7C6966
MS-2219P-.50MM	1450164 2295154 7C6967
MS-2219P	1077708 1969519 2124893
MS-957AL-10	2S508 7S9844 8N8225
MS-957AL-20	2S511 7S9845 8N8226
MS-957AL	2323233 5M7469 7M9290 7S9439
MS-958AL-10	2S509 7S9844 7S9862 8N8225
MS-958AL-20	2S510 7S9845 7S9863 8N8226
MS-958AL	2323233 4W5738 5M7470

MAHLE	CATERPILLAR
MS-958AL	7M9291 7S9439 7S9843
MS19416	1299452 7N8175 9Y4582
MS19417	1384611
MS19528	2629103 2818261
MS19855	2721956
MS19856	1443472
OC 1001	3I1376
OC 121	1R0658 1R1807 1W3300 2P4004 2Y8096 3Y0900 3Y0900X 3Y900
OC 282	1W8845 7C4228 9Y4468
OC 370	1R0658 1R0739 1W3300 2P4004 5P1119
OC 37	7W2327 7W6221 9Y4479
OC 42	5C1791 7W2326 9Y4458
OC 484	1R0716 1R1808 1W2660 2P4005 2Y8097 3I0731 4W6000 7W5497 8T7452
OS32166	129-0357 1694200 4M2969 5C9858
OS32178	9L8016
OS32183	4N1151 4N3661 6N1396

MAHLE	CATERPILLAR
OS32216	1136065
	1154202
	2613816
	7W8860
OS32224	1694199
	8S1965
OS32274	4338194
OS32300A	1685248
OS32300	1685248
OS32412	1662905
OS32500A	4N1151
S40538	1W5105
	1W6055
	3119446
	3S4061
	4S7424
	5H4344
	7M5564
	9H1224
	9S8973
S40574	3S4029
	4M8165
	9S8704
S40963	1P0241
	2P9630
	7S8378
	7S9404
	9S3068
S41159	1P 0734
	1P1127
	4N5619
	8N0822
S41287	1N3601
	1W5061
	4N5619
	6N7344
S41329	6N5026
	6N5536
	8N5760
S41394	1P0241
	2P2630
	2W1707
	2W1709
	7S9404
	9L6935
S41542.020	2W8646
	2W8646(3R)(KS)
S41542	2W8265(3R)(KS)
	2W8265-3R-2KS
S41653	2W6091

MAHLE	CATERPILLAR
S41670	5S7570
	7E6047
S41685.040	2W8647
	2W86473R
S41771	7E5213
S41822	3S4031
S41832	1N3967
S41841	4P2656
	4P2657
	4P2658
S41883.020	2W8646
S41883	2W8265
	9L9612
	9N0875
	9N875
S41890	1W8922
	1W8922GA
S41908	7C8939
	7W6952
	9S2263
S41927	1765749
	1777496
	1899771
S41942	2114321
S41943	1343761
	1765749
	1899771
S42054	1006694
	1006695
	6I0497
S42074	7E2899
S42139	5S6750
	6I0497
	9S3029
S42181	1765749
	1899771
	2257010
S42223	2370194
	2380294
	2384737
SH-1245S	1N3418
	9L8072
	9N5246
SH-1764S	2165586
	2165586
SH-1765S	2W 7213
	2W7211
	2W7213
SH-1765S	2165586
	2165586

MAHLE	CATERPILLAR
SH-1765S	2W 7213
	2W7211
	2W7213
SH-1979	1345251
	2165582
	4P5053
SH-2166	2165583
SH-2167	2165584
SH-2168	2165585
SH-2169	7N2048
SH-2170	7M4046
	8H9654
SH-2171	9M5477
SH-2172	3775833
	5S6419
	9Y2991
SH-2173	3256032
	5S6420
	9Y2992
SH-2174	2035805
SH-2175	2036090
SH-2176	2165586
	2W7211
SH-2177	1161359
SH-2178S	1W5920
	7F8294
	7F8295
	9N5246
SH-2180	1878969
SH-2186	3790191
	4N0685
SH-2187	3731885
	4N6658
THD 1 82	1W5253
	2R2911
	4L7615
	4N2212
	5N6242
	6L5851
6L7291	
	8N4935
	9N3017
	9S9160
THD 1 86	4W4842
	614956
TW-226S	4L4653
TW-252S	1P7960
	2P0716
	3S7774
	6N4129

MAHLE	CATERPILLAR
TW-252S	6N8940
TW-409S	9S3037
TW-583S	1W5252 2351752 2531752 7E9262 7N8947
TW-693S	1003652 7N9342
TW-701S	1161107 2463144
TW-702S	2463150
VS50315	8S1605
VS50445	2429537
VS50464	1497378 2429537 5P5678 5P5678 9X7317 9X7418 9X7419
VS50471	1497378 2429537 2720390
VS50518	5P5678 5P5678 3 METER
VS50626	2720388
VS50630	2444486 3044924
VS50631	2175701

CUMMINS	MAHLE
2878168	SH-1773 SH-1773S
3803770	211-4285
101109	247-5068
10521	OC 320
109080	GS33613
1111765	226-1847
111888	229-2451
113985	46773
123659	211-1945
129660	229-2451
129680	229-2451
130653	MS12242X
132977	MS12242X
135600	GS27706
135612	B45977
138937	217-3210
139620	CB-625P
139621	CB-625P-10
139622	CB-625P-20
139623	CB-625P-30
141743	47543
141744	46773
142234	MS12242X
145101	TW-369S+10
145504	72018
145701	211-1945
146 077	THD 1 82
146076	THD 1 82
147967	217-3916
149651	VS38793TC
151068	217-3210
151850	224-1538
152948	223-7155
154709	KC 28
154710	KC 28
154711	KC 28
154744	KC 28
154946	217-3289
156171	KC 28
156172	KC 28
156641	B45977
157280	TW-369S
157281	TW-369S+10
157551	OS21996
157620	CB-1631P

CUMMINS	MAHLE
157621	CB-1631P-10
157622	CB-1631P-20
157623	CB-1631P-30
159960	TW-449S
166630	224-3269
166774	211-2325
171880	223-7155
173640	TW-448S
174213	217-3916
176927	47543
178788	OS21996
179800	CB-1631P
180070	CB-965P
180071	CB-965P-10
180072	CB-965P-20
181449	223-7142
182020	226-4419
183049	223-7077
183050	226-4414
184400	226-4419
186780	GS27706
187420	223-3545
187589	VS28794
187863	47543
189770	CB-1073P
189771	CB-1073P-10
189772	CB-1073P-20
190849	GS30376
193736	GS33337
194840	247-5002
195000	218-7800
195230	CB-625P
195231	CB-625P-10
195232	CB-625P-20
195233	CB-625P-30
195240	247-5066
195360	223-3564
196641	GS33571
196949	OS21794
200600	CB-965P
200601	CB-965P-10
200602	CB-965P-20
200780	SH-1382S
200790	SH-1382S
200800	224-2124

CUMMINS	MAHLE
201950	247-5003
202227	223-8133
202893	KC 28
203170	226-4456
203660	CB-625P
203661	CB-625P-10
203662	CB-625P-20
203663	CB-625P-30
203670	CB-296P
203671	CB-296P-10
203672	CB-296P-20
203673	CB-296P-30
203674	CB-296P-40
204 586	THD 1 82
204090	226-4414
204829	46773
205180	223-3700
205566	THD 1 82
205840	CB-1357P
205841	CB-1357P-10
205842	CB-1357P-20
206515	211-3311
207241	211-3343
208069	47543
210130	226-4414
210360	224-2091
211255	47542
212020	224-2091
212161	GS33613
212224	3934
212227	47543
213740	226-4414
214950	CB-1226P
214951	CB-1226P-10
214952	CB-1226P-20
214953	CB-1226P-30
214954	CB-1226P-40
215090	223-7158
215445	46773
215705	JV5075
215983	223-7142
216283	223-7155
2168	223-7142
216879	223-7142
252811	KC 28

CUMMINS	MAHLE
2830704	54556
2830705	54556A
2830977	D32483
2834419	286 TC 21006 000
2835911	286 TC 21101 100 286 TS 21101 100
2837647	286 TC 21101 100 286 TS 21101 100
2839682	286 TC 21101 100 286 TS 21101 100
2842411	286 TC 21201 000
2843886	286 TC 21201 000
2843887	286 TC 21201 000
2864080	54146
2881682	S42153
2881993	286 TC 21201 000
2882764	226-4596
3000140	247-5001
3000965	223-3700
3001559	183 TC 24562 000
3002742	THD 1 82
3002834	SH-2165
3002964	THD 1 86
3004316	47542 JV5075
3005357	247-5220
3005984	226-4544
3006456	217-3916
3006736	JV5075
3006737	48068 JV1689
3007225	211-3311
3007525	226-4544
3007759	GS33571
3009999	VS38793TC
3010457	47543
3010459	67682
3011076	223-7183
3011885	226-4544
3012360	CB-1631P
3012361	CB-1631P-10
3012362	CB-1631P-20
30123623	CB-1631P-30
3014149	S41888
3014459	CS5858-13
3014668	223-7183

CUMMINS	MAHLE
3015273	601-8035
3016453	VS38793TC
3016760	CB-1382P
3016761	CB-1382P-.25MM
3016762	CB-1382P-.50MM
3016763	CB-1382P-.75MM
3016786	S41888
3016890	226-1646
3017325	SH-1773
3017349	224-2144
301737	THD 1 82
3017750	VS28794
3017759	218-3732
3018210	MS-2019P
3018211	MS-2019P-10
3018818	217-3446
3019218	TW-369S
3019219	TW-369S+10
3019287	224-2091
3019370	211-1945
3020183	48164 JV5075
3020186	JV5075
3020943	MS12242X
3020980	VS38793TC
3021658	OC 282
3022157	226-4544
3023228	229-2451
3024387	183 TC 24562 000
3024395	211-3311
3026924	183 TC 24562 000
3027105	223-3698
3027692	JV5073
3027714	JV5073
3027881	VS50422
3027949	67623
3027983	OS21996
3028107	TW-457S
3028685	224-2197
3028686	224-2339
3029010	224-2271
3029340	247-5049
3029341	247-5068
3029847	OS21996
3030216	MS-1687P
3030217	MS-1687P-10

CUMMINS	MAHLE
3030218	MS-1687P-20
3030219	MS-1687P-30
3031037	SH-1394S SH-1395S
3031445	67648
3031469	OS21996
3032011	JV5073
3032012	67623
3032031	183 TC 24562 000
3032052	183 TC 24562 000
3032060	183 TC 24562 000
3032287	218-3732.010
3032861	OS21996
3032874	223-7077 223-7158
3033234	211-2748
3033235	211-2749
3033314	217-3332
3033315	217-3332
3034816	226-4546
3034855	VS50454
3035110	211-3311
3035253	VS50422
3035812	226-4477
303661	CB-625P-10
3036669	224-2271
3037349	JV5073
3037413	224-2091
3037820	224-2271
3039114	VS50422
3040830	211-2689
3040882	226-4546
3041263	247-5003
3041804	67650
3042318	224-3249
3042320	224-2262
3042544	72121
3042763	226-4414
3043909	223-3700
3044448	224-2271
3044514	VS38793TC
3044580	54146
3045882	601-8035
3045948	224-2819
3046325	226-4477
3047188	223-7200

CUMMINS	MAHLE
3047390	CB-1619P
3047391	CB-1619P-10
3047392	CB-1619P-20
3048650	224-2342
3048808	224-2821
3048809	224-2820
3049187	VS50420
3049221	GS33613
3049464	67648
3049465	67650
3050366	224-2822
3050369	217-3916
3050480	224-2823
3051553	224-2341
3051554	224-2340
3051555	224-2339
3051556	224-2344
3051557	224-2343
3052794	224-2818
3054841	VS38793TC
3054936	226-4486
3054948	223-8014
3055099	226-4414
3055145	CB-1616P
3055146	CB-1616P-10
3055147	CB-1616P-20
3055622	224-3276
3058148	JV5073
3058532	VS50424
3064281	B45894
3064291	247-5178
3064295	223-3701
3064304	223-1960
3064305	223-5540
3064312	217-4092
3064627	226-4546
3065115	JV5075
3065405	226-4486
3065406	223-8012
3066211	GS33613
3066311	VS50321
3067568	TW-369S
3067568(.005)	TW-369S+5
3067568(.010)	TW-369S+10
3067616	JV1689

CUMMINS	MAHLE
3067618	JV5075
3067953	VS50320
3068135	VS50579
3068519	211-4283
3068828	211-3347
3069100	MS12242X
3069151	VS50579
3069177	GS30376
3069212	224-2743
3069672	211-4286
3069687	VS50320
3070136	EK3539 GS33538
3070137	EK3539 GS33538
3070138	EK3539 GS33538
3070159	211-3316
3070473	211-4285
3072324	224-3284
3073510	B45928
3073512	217-4082
3073707	247-5183
3073966	VS50416
3074982	54224
3076189	54224
3076203	JV5075
3076284	VS50320
3076292	VS50320
3077770	601-8035
3078292	67658
3078399	211-4285
3080760	226-4546
3080975	211-3347
3080976	211-3316
3081268	224-3290
3081269	224-3284
3081489	223-7183
3081960	183 TC 24562 000
3083754WP	224-3290
3083991	211-4282
3084023	224-3772X
3084044	224-3771X
3084045	211-4284
3084980	211-4282
3087634	224-3771X

CUMMINS	MAHLE
3087635	224-3772X 224-3774X
3088391	211-3311
3088393	211-3343
3095739	224-3289
3095759	224-2342
3096362	247-5139
3096680	224-3334
3096681	224-3313
3096685	224-3333
3099083	EK3518-1 EK3522VR EK3523VR OS21996
3101268	GS33613 GS33617
3102109	72013
3102234	CS54775-1
3102314	GS33613 GS33617
3104229	G32485 GS33613
3104230	G32492 GS33613
3104232	B32477
3150011	CB-1226P
3155618	OC 320
3161653	TW-457S
3161772	67633
3166410	211-4282
3201082	247-5220
3202210	217-4073
3202314	218-3732
3252363	OS32210
3275354	216-5215
3275356	211-2325
3275779LL	211-2325
3277332	223-3564
3277744	CS3980
3277752	HS3980
3277753	HS3932X
3278173	217-3289
3278345	SH-1394S SH-1395S
3278723	S41082
3281721	JV5074
3282133	VS50577

CUMMINS	MAHLE	CUMMINS	MAHLE	CUMMINS	MAHLE
3282805	4068C	3406659	211-1945	3535416	286 TC 14015 000
3282999	4961	3411461	54123	3535417	286 TC 14015 000
3283000	4068D	3411878	B32488	3535418	286 TC 14015 000
3283001	4961-2	3411879	B32486	3535420	286 TC 14015 000
3283003	4961-3	3413082	JV5075	3535421	286 TC 14015 000
3283179	229-2434	3417713	211-2749	3535422	286 TC 14234 000
3283333	4961	3418020	211-3347	3535423	286 TC 14234 000
3283335	4068C	3418021	211-3316	3535424	286 TC 14234 000
3283336	4961-2	3519807	GS33583	3535425	286 TC 14234 000
3283337	4068D	3520030	286 TC 14234 000	3535426	286 TC 14234 000
3283338	4961-3	3522778	286 TC 14015 000	3535427	286 TC 14234 000
3283339	4068E	3522865	183 TC 24517 000	3535454	286 TC 14015 000
3283569	4961	3522866	183 TC 24517 000	3535456	286 TC 15267 000
3283570	4068C	3522867	183 TC 24519 000	3535457	286 TC 15267 000
3284623	PS38801	3522872	183 TC 24518 000	3535619	286 TC 31104 000
3287561	B32484 OS32381	3522900	286 TC 14234 000	3535620	286 TC 31104 000
3300901	KC 28	3523273	183 TC 24517 000	3535636	286 TC 31104 000
3304232	OC 282	3524034	286 TC 15267 000	3535638	286 TC 31104 000
3309637	OC 282	3524035	286 TC 15267 000	3536263	286 TC 24557 000
3313283	OC 282	3525238	286 TC 15235 000	3536677	286 TC 14234 000
3313284	OC 282	3525998	183 TC 24564 000	3537074	286 TC 24557 000
3313289	OC 282	3527046	183 TC 24563 000	3537127	286 TC 31104 000
3315804	KC 28	3527047	183 TC 24563 000	3537128	286 TC 31104 000
331584	KC 28	3527048	183 TC 24563 000	3537133	286 TC 31101 000
3315844	KC 28	3527547	183 TC 24564 000		286 TC 31102 000
3315845	KC 28	3528552	183 TC 24276 000	3537134	286 TC 31101 000
3315847	KC 28	3528602	183 TC 24276 000		286 TC 31102 000
3328634	54146	3528742	286 TC 14015 000	3537135	286 TC 31101 000
3328698	67622	3528743	286 TC 14234 000		286 TC 31102 000
3328781	B45928	3528744	286 TC 14234 000	3537136	286 TC 31101 000
3328785	217-4082	3528777	286 TC 15267 000		286 TC 31102 000
3328925	54146	3528778	286 TC 15267 000	3537137	286 TC 31101 000
3330537	GS33609	3529032	183 TC 24563 000		286 TC 31102 000
3330538	GS33609	3529040	183 TC 24562 000	3537137	286 TC 31101 000
3347569	247-5220	3529435	183 TC 24276 000		286 TC 31102 000
3347937	GS33609	3530714	286 TC 14015 000	3538188	286 TC 14015 000
3347939	GS33609	3530716	286 TC 15267 000	3538222	183 TC 23538 000
3349818	54123	3530721	286 TC 14234 000		183 TC 23538 100
3349820	EK3522VR EK3523VR EK3539 OS32201	3530767	183 TC 24276 000	3538223	183 TC 23538 000
3353977	67639	3530772	286 TC 14015 000		183 TC 23538 100
3357693	JV1690	3532054	183 TC 24276 000	3538224	183 TC 23538 000
3401290	OS32219	3534286	286 TC 21103 000		183 TC 23538 100
		3535381	286 TC 14234 000	3538225	183 TC 23538 000
		3535414	286 TC 14015 000		183 TC 23538 100
		3535415	286 TC 14015 000	3538226	183 TC 23538 000
					183 TC 23538 100
				3538227	183 TC 23538 000

CUMMINS	MAHLE
3538227	183 TC 23538 100
3538228	183 TC 23538 000 183 TC 23538 100
3538228	183 TC 23538 000 183 TC 23538 100
3538230	183 TC 23538 000 183 TC 23538 100
3538277	286 TC 14015 000
3538351	286 TC 21102 000
3538352	286 TC 21102 000
3538677	286 TC 31104 000
3539369	286 TC 21007 000
3539394	286 TC 21008 000
3539911	286 TC 21003 000
3590044	286 TC 21006 000
3590079	286 TC 15267 000
3590104	286 TC 21009 000
3590909	286 TC 25444 000
3591459	183 TC 23538 000 183 TC 23538 100
3591788	286 TC 25444 000
3592224	286 TC 21103 000
3592225	286 TC 21103 000
3592226	286 TC 21103 000
3592766	286 TC 21002 000
3595090	286 TC 25444 000
3596988	286 TC 15267 000
3597660	061 TC 31101 000
3597661	061 TC 31101 000
3598176	286 TC 31101 000 286 TC 31102 000
3598176	286 TC 31101 000 286 TC 31102 000
3599335	183 TC 23538 000 183 TC 23538 100
3599811	286 TC 21010 000
3599940	001 TC 31102 000
36 805 80	SH-2136
36 805 81	SH-2137
3608833	247-5001
3608839	229-2451
3608840	229-2451
3608889	247-5237
3609837	601-8035
362 9204	THD 1 82
362 9205	THD 1 82

CUMMINS	MAHLE
3627642	247-5180
3627695	GS33617
3629276	247-5180
3631241	224-3333
3631245	224-3313
3631246	224-3334
3631248	S41882
3678603	GS33584 GS33613 GS33616 GS33617
3678738	223-7216
3678756	72327
3678762	GS33617
3678770	GS33613 MS19750
3678786	GS33584 GS33616 GS33617
3678846	72621
3678912	GS33617
3678925	GS33613
3679139	GS33617
3679573	B32488
3679574	B32486
3679930	B32489
3679931	B32491
3679932	B32490
3679934	B32487
3680202	TW-691S
3680324	GS33613 GS33617
3681911	247-5237
3682076	GS33613
3682177	GS33617 MS19750
3682360	GS33613
3682551	G32485
3682710	MS19737
3682829	226-4596
3682940	MS19737
3683940	MS19737
3684284	GS33617
3684359	GS33617
3685535	GS33617
3685639	54775
3685690	SH-2138

CUMMINS	MAHLE
3685834	54775
3685890	SH-2138
3709861	GS33583
3768263	286 TC 21201 000
3768267	286 TC 21201 000
3800064	GS33337
3800298	MS-2297P MS-2297P-.50MM
3800302	226-1848
3800318	225-3787
3800319	226-2070
3800320	225-3754
3800328	226-2035 226-4566
3800340	211-4298
3800341	211-4296
3800342	HS54132
3800343	CS54132-1
3800348	CS54126-1
3800383	286 TC 24929 000
3800397	286 TC 21009 000
3800400	183 TC 23538 000 183 TC 23538 100
3800448	CS54775-1
3800471	286 TC 21006 000
3800487	CS54174-1
3800558	CS54126-1
3800616	67658
3800618	CS54123-2
3800638	211-3347
3800639	211-3316
3800643	67623
3800653	286 TC 25444 000
3800704	CS54132
3800709	286 TC 15390 000
3800727	HS4963
3800728	HS4963A
3800750	HS54126
3800756	225-3789
3800760	225-3789.040
3800761	225-3789.020
3800775	286 TC 25444 000
3800781	224-3355 225-3355
3800782	225-3355
3800783	225-3355

CUMMINS	MAHLE
3800785	225-3355.040
3800799	286 TC 21002 000
3800799	286 TC 21002 000
3800800	226-1852
3800801	226-1851
3800838	224-3354 225-3354
3800839	225-3354 225-3354.020
3800840	225-3354 225-3354.040
3800841	225-3354.020
3800842	225-3354.040
3800853	HS54174-1
3800872	MS-2287P
3800891	211-4282
3800912	S42162
3800968	67623
3800973	286 TC 25004 000
3800990	286 TC 21103 000
3801005	HS4963A
3801006	CS4963
3801007	CS4963A
3801030	229-2451
3801043	S41888
3801051	CS5858-4
3801056	S41888
3801058	224-2144
3801065	S41888
3801104	224-2342
3801106	SH-1529S
3801126	226-1851
3801138	JV5073
3801139	67623
3801141	HS54146-1
3801150	MS-1716P
3801151	MS-1716P-.25MM
3801152	MS-1716P-.50MM
3801153	MS-1716P-.75MM
3801234	226-1703
3801235	CS5858-5
3801260	MS-1687P
3801261	MS-1687P-10
3801262	MS-1687P-20
3801263	MS-1687P-30
3801270	MS-1531P

CUMMINS	MAHLE
3801271	MS-1531P-10
3801272	MS-1531P-20
3801324	HS5858-1
3801328	HS5858-15
3801329	HS5858-15
3801330	EK3518-1 EK3518-2 HS5858-3 HS5858-4
3801332	EK3520-1
3801335	CS5858-4 HS5858-15 HS5858-3
3801339	CS5858-7 HS5858-3 HS5858-4
3801341	HS5858-3 HS5858-4
3801356	211-2748
3801357	211-2749
3801392	226-1747
3801393	224-2343
3801397	HS54123-5
3801451	EK3520-1 HS5858-16
3801454	CS5858-6
3801463	CS5858-7
3801464	CS5858-2
3801468	CS5858-4
3801470	CS5858-9
3801489	286 TC 24275 000
3801533	224-3249
3801534	224-2819
3801535	224-2262
3801543	226-1851
3801591	286 TC 24516 000
3801599	183 TC 24518 000
3801613	183 TC 24517 000
3801614	183 TC 24519 000
3801617	183 TC 24517 000
3801627	JV5073
3801628	67623
3801641	HS54146-1
3801657	CS3980 HS3980
3801703	224-2342
3801704	226-1747

CUMMINS	MAHLE
3801719	CS4963C
3801744	224-2823
3801746	226-1839 226-1840
3801754	EK3522VR HS5858B
3801755	S41889
3801764	226-1769
3801765	226-1748 226-1847
3801766	224-2341
3801768	226-1749
3801770	224-2339
3801771	226-1745
3801773	224-2344
3801774	226-1770 226-1862
3801775	226-1760
3801776	226-1771 226-1883
3801777	226-1750
3801779	226-1772 226-1863 226-1884
3801780	226-1773 226-1860
3801781	226-1774 226-1874
3801782	226-1746
3801793	224-2343
3801795	226-1747
3801796	226-1703
3801797	226-1880
3801817	226-1831
3801818	224-2822
3801819	224-2821
3801820	224-2820
3801822	226-1837
3801823	226-1835 226-1836
3801824	226-1833
3801826	226-4414
3801839	HS5858-16
3801872	226-1646
3801873	226-1775
3801876	224-2340
3801918	183 TC 24564 000

CUMMINS	MAHLE
3801935	183 TC 24562 000
3801936	183 TC 24562 000
3801954	224-2818
3801956	226-1841 226-1847
3801956(20/40)	226-1842
3801956(20/40)	226-1842
3801960	183 TC 24562 000
3802005	211-3201
3802006	211-3202
3802010	MS-1718P
3802011	MS-1718P-.25MM
3802012	MS-1718P-.50MM
3802013	MS-1718P-.75MM
3802015	HS4961
3802016	HS4961
3802017	HS4961-2
3802018	HS4961-3
3802025	HS4068
3802026	HS4068
3802029	CS4068
3802030	225-3321
3802032	225-3321.020
3802034	225-3321.040
3802040	S41517
3802042	S41517.020
3802044	S41517.040
3802050	S42221
3802052	S42221.020
3802054	S42221.040
3802056	S42221
3802060	225-3526
3802062	225-3526.020
3802064	225-3526.040
3802070	MS-1717P MS-2328P
3802071	MS-1717P-.25MM MS-2328P-.25MM
3802072	MS-1717P-.50MM MS-2328P-.50MM
3802073	MS-1717P-.75MM MS-2328P-.75MM
3802075	CS3488K
3802085	211-3204
3802086	HS54126
3802087	CS54126-1

CUMMINS	MAHLE
3802090	225-3345
3802100	225-3523
3802102	225-3523.020
3802104	225-3523.040
3802126	286 TC 15267 000
3802132	225-3525.020
3802134	225-3525.040
3802160	225-3525
3802204	286 TC 21003 000
3802210	MS-1740P
3802211	MS-1740P-.25MM
3802212	MS-1740P-.50MM
3802216	HS4961
3802217	HS4961-2
3802218	HS4961-3
3802226	HS4068
3802230	S42221
3802232	S42221.020
3802234	S42221.040
3802240	HS4961
3802241	HS4961-2
3802242	HS4961-3
3802243	HS4068
3802245	HS4068B
3802258	S41677
3802267	CS4068
3802268	HS54126
3802289	286 TC 14015 000
3802290	286 TC 14234 000
3802303	286 TC 15267 000
3802341	HS54126
3802354	CS54126-1
3802355	211-3201
3802356	211-3202
3802360	HS54126
3802361	HS4961
3802362	HS4961-2
3802363	HS4068
3802364	HS4068A
3802370	226-4496
3802375	CS4961
3802376	CS4068
3802388	226-1894
3802389	CS54126-1
3802398	224-3325 224-3326

CUMMINS	MAHLE
3802398	226-1947 226-1950
3802400	226-1948
3802401	226-1950
3802403	226-1951
3802404	226-1947
3802406	226-1899
3802407	226-4547
3802421	S42170 S42221
3802422	S42170.020 S42221.020
3802423	S42221.040
3802429	226-2035 S41677
3802452	HS54126
3802463	211-3203
3802487	225-3520
3802493	225-3520.020
3802495	225-3520.040
3802558	286 TC 21003 000
3802561	225-3515
3802562	225-3513
3802564	225-3513.020
3802565	225-3513.040
3802568	225-3331D
3802601	225-3330A
3802602	225-3330B
3802603	225-3330C
3802604	225-3330D
3802624	HS54126
3802657	224-3293 225-3293
3802678	286 TC 21007 000
3802746	S42221
3802750	S41905
3802757	225-3322
3802758	225-3322.020
3802759	225-3322.040
3802764	224-3323.020 225-3323.020
3802765	225-3323.040
3802770	286 TC 31101 000 286 TC 31102 000
3802798	286 TC 15390 000
3802810	286 TC 31104 000

CUMMINS	MAHLE
3802811	226-1917
3802820	48383 JV1186 JV5076 JV5097
3802831	S41905
3802839	286 TC 21003 000
3802863	S41905.020
3802864	S41905.040
3802906	286 TC 17385 000
3802917	S41905.020
3802918	S41905.040
3802919	S41905
3802924	211-4182
3802927	225-3780
3802946	286 TC 21008 000
3802967	211-4183
3802980	CS54174-1
3802981	HS54174-1
3802992	286 TC 21007 000
3803024	286 TC 15235 000
3803040	EK3523VR HS5858A
3803041	CS5858-3
3803108	183 TC 24563 000
3803109	286 TC 16102 000
3803209	226-1840 226-1857
3803210	226-1873
3803211	226-1796
3803212	226-1794
3803213	226-1792
3803214	226-1793
3803215	226-1834
3803216	226-1832
3803217	226-1836
3803219	226-1822 226-4477 226-4486
3803221	226-1848
3803228	226-1874
3803279	183 TC 24562 000
3803287	183 TC 24562 000
3803294	CS54132
3803308	183 TC 24276 000
3803310	211-3347

CUMMINS	MAHLE
3803344	224-2743
3803346	226-1821
3803348	211-2749
3803354	67623
3803358	S41887
3803360	211-4283
3803374	HS54123-2
3803375	HS54123
3803376	CS54123-1
3803388	183 TC 24276 000
3803404	CS54147
3803429	224-3284
3803444	HS5858AH
3803445	HS54123-1
3803453	CS54132
3803463	HS54146-1
3803465	226-1851
3803471	S41889
3803472	S41882
3803515	211-3343
3803519	211-1945 211-2689
3803524	211-1945
3803529	211-3311
3803553	286 TC 24557 000
3803570	183 TC 25331 000
3803572	CS54132
3803573	67648
3803574	67650
3803576	JV5073
3803583	286 TC 24555 000
3803584	286 TC 24556 000
3803585	286 TC 24557 000
3803586	183 TC 24276 000
3803597	HS4963
3803598	HS4963A
3803606	HS5858AH
3803607	HS54123-1
3803608	HS54123-2
3803609	HS54123
3803613	CS54123-1
3803626	224-3276
3803632	226-1851
3803673	183 TC 24562 000
3803703	226-4546
3803713	HS5858AH

CUMMINS	MAHLE
3803714	HS54123-1
3803715	HS54123-2
3803716	HS54123
3803720	67658
3803726	211-4286
3803730	211-3316
3803739	224-3776
3803740	226-2040
3803741	224-3775
3803742	226-2039
3803755	226-1911
3803755(20/40)	226-1912
3803755(20/40)	226-1912
3803758	224-3284
3803759	226-1903
3803759(20/40)	226-1908
3803759(20/40)	226-1908
3803854	211-4284
3803894	67633 JV5017
3803896	67652 JV5073
3803961	S41371
3803965	224-2271
3803967	224-3276
3803973	226-1851
3803977	S41934
3803981	HS5858A
3803982	HS5858B
3803983	HS5858-16
3803995	211-2749
3803996	211-2749
3804272	HS54123-5
3804276	EK3518-1 EK3518-2 HS5858-3 HS5858-4
3804286	HS5858AH
3804287	HS54123
3804290	HS54123-1
3804291	HS54123-2
3804295	HS4963
3804296	HS4963A
3804301	CS4963C
3804304	JV5017
3804308	286 TC 24557 000

CUMMINS	MAHLE
3804349	226-1747
3804351	226-1771
3804355	48383
3804379	226-1848
3804409	224-2342
3804414	224-2339
	224-3289
3804439	226-1747
3804444	226-1905
3804474	226-1907
3804500	S41887
3804501	226-2039
3804502	286 TC 24557 000
3804630	224-3777
3804635	CS54123-2
3804636	226-2041
3804639	226-2040
3804653	226-2040
3804741	HS54123-4
3804744	67622
	JV5017
3804749	CS54132
3804800	286 TC 24555 000
3804801	286 TC 24556 000
3804843	HS54146-1
3804858	286 TC 21102 000
3804896	HS4961
3804897	HS4068
3804899	48383
3804947	S42170
3804964	286 TC 21003 000
3804979	S42170.020
3804990	225-3355.020
3805758	225-3322.020
3806183	CS54126-1
3806201	S42170.020
3806203	S42170.040
3806229	S41905.020
3806230	S41905.040
3806241	S41517.020
3806242	S41517.040
3818520	211-2749
3819989	247-5133
3820303	223-3699
3820566	SH-1773
	SH-1773S

CUMMINS	MAHLE
3821572	601-8035
3821575	601-8035
3822062	TW-457S
3822959	223-8147
3822960	223-8147
3822961	223-8147
3865113	224-3773X
3882433	OS32209
3882568	54146
3883102	VS50422
3883220	VS50316
3883284	GS33582
	GS33583
	GS33616
3883519	54146
3883718	54146
3883927	54146
3889311	OC 282
3890706	KC 191
3890707	KC 6
3890708	OC 320
3890710	OC 320
3892021	67622
3892667	VS50422
3893927	54146
3895062	67648
3895063	67650
3895075	67650
3895110	211-3316
3895477	211-2749
3896697	VS50422
3896894	223-3699
3899378	54146
3900276	212-1800
3900299	216-4121
3900393	OS32172
3900396	226-4490
3900709	48383
3900947	OS32172
3901019	JV1622
	JV1690
3901085	223-3717
3901097	B45411A
3901117	211-3201
3901170	CB-1413P
3901171	CB-1413P-.25MM

CUMMINS	MAHLE
3901172	CB-1413P-.50MM
3901173	CB-1413P-.75MM
3901178	B45893
3901306	SH-1404
3901356	GS33582
3901430	CB-1409P
3901431	CB-1409P-.25MM
3901432	CB-1409P-.50MM
3901433	CB-1409P-.75MM
3901470	223-3642
3901607	211-3202
3901685	SH-2183
3901717	214-2188
3901856	JV1186
3902002	MS12435
3902254	211-3204
3902365	JV5097
3902369	JV1186
3902425	GS33582
	OS32139
3902466	VS50577
3902666	VS50215S
3903264	OC 1001
	OC 320
3903410	KC 191
3903475	JV1186
3903640	KC 6
3903653	4068C
3903655	224-3321.040
3903656	224-3321.020
3903895	224-3325
3904166	226-4490
3904323	JV1622
3904334	4961
3904335	4961-2
3904336	4961-3
3904353	48383
3904408	217-4114
3904409	217-4115
3904492	JV1186
3905143	JV1186
3905449	VS50577
3905870	214-1183
3906027	OS32172
3906080	48383
3906208	224-3526.040

CUMMINS	MAHLE
3906208	225-3526.040
3906209	224-3526.020 225-3526.020
3906223	224-3526 225-3526
3906611	OS32205
3906659	GS33484
3906698	K31420
3906773	GS33582
3907054	4961
3907055	4961-2
3907056	4961-3
3907057	4068C
3907156	224-3523
3907157	224-3523.020
3907158	224-3523.040
3907163	224-3525
3907177	223-7201
3907682	54126
3907792	226-4496
3907803	247-5177
3907804	247-5130
3907836	JV5097
3908008	224-3325
3908031	247-5177
3908032	247-5130
3908139	67639
3908141	67639
3908479	224-3325
3908615	OC 1001 OC 1001 OC 320
3908636	224-3325
3908749	224-3325
3908815	224-3525.020 225-3525.020
3908816	224-3525.040
3908997	4068C
3909409	GS33491
3909410	JV1622
3910500	JV1186
3910810	214-2194
3910811	214-2195
3910877	286 TC 15267 000
3911342	54126
3911400	224-3522

CUMMINS	MAHLE
3911535	OS32172
3911536	OS32139
3911818	OS32205
3912049	224-3522.020
3912050	224-3522.040
3912220	F10142
3913990	223-3642
3914017	OS32205
3914029	MS12435
3914383	OS32139
3914384	JV5097
3914385	JV1186
3914386	JV1622 JV1690
3914395	OC 1001 OC 320
3914638	229-2430
3914639	229-2433
3914640	229-2435
3915707	B45893
3915720	4961-2
3915721	4961-3
3915726	4961
3915730	4068C
3916131	JV5072 JV5097
3916401	JV5072
3916588	212-1794
3917320	247-5096
3917354	4961
3917355	4961-2
3917357	4068C
3917358	4068C
39174443	247-5096
3917707	224-3012 226-2058
3918256	HS54163-11
3918305	4068C
3918306	4068D
3918307	4068E
3918673	JV5072
3918986	247-5096
3919053	225-3355
3919201	286 TC 15267 000
3919247	224-3329
3919435	230-3060

CUMMINS	MAHLE
3919564	224-3325
3919565	224-3326
3919928	224-3325
3919930	224-3326
3919937	226-4547
3920691	223-5525 224-3802 224-3802.020
3920773	OS32139
3920867	211-3201
3920868	211-3202
3921216	54126
3921393	4961
3921394	4068C
3921395	4961-2
3921396	4068D
3921397	4961-3
3921444	211-3204
3921640	B45411A
3921850	54126
3921927	67639 JV5074
3921954	8-5508
3922488	214-1184
3922571	224-3520
3922574	224-3520.020
3922575	224-3520.040
3922794	GS33583 GS33584 GS33616 GS33617
3923163	224-3325
3923164	224-3326
3923331	C31421
3923478	229-2435
3923564	217-4117
3924471	229-2435
3924492	211-3203
3924582	218-3796
3925272	212-1795
3925274	KC 191
3925582	229-2431
3925585	229-2430
3925863	217-4118
3925878	224-3330A
3925880	224-3330C

CUMMINS	MAHLE
3925881	224-3330D
3926126	67857
3926631	224-3515
3926632	224-3513
3926634	224-3513.020
3926635	224-3513.040
3927063	GS33493
3927154	MS10141
3927642	B45893
3928168	54126
3928174	218-3797
3928493	JV1622 JV1690
3928624	GS33616
3928674	224-3323.020
3928675	224-3323.040
3928832	PS38801
3929005	218-3800
3929012	MS19719
3929028	8-5507
3929036	247-5177
3929037	247-5130
3929038	229-2429
3929039	229-2430
3929042	229-2433
3929161	224-3293 226-2035
3929734	229-2440
3929885	229-2429
3929886	229-2432
3930187	224-3322
3930188	224-3322.020
3930189	224-3322.040
3930378	229-2442
3930906	VS50215S
3930942	KC 191
3930942	KC 191
3930942	KC 191
3930942	KC 191
3930942	KC 191
3931019	54126
3931065	KC 6
3931346	OS32139
3931347	MS12435
3931350	GS33582
3931351	JV5097

CUMMINS	MAHLE
3931602	OS32172
3931824	GS33583 GS33584
3932217	OC 1001 OC 320
3934044	OS32205
3934047	223-1932 224-3520 224-3520.040 225-3322 225-3322.020 225-3322.040 225-3323.020 225-3323.040 225-3520 225-3520.020
3934048	225-3523 225-3523.020 225-3523.040 225-3525.040
3934486	JV1622
3934593	226-2035
3935171	GS33617
3935274	KC 191
3935449	T27119 VS50416
3935585	54126
3935878	VS50317
3935892	230-3057
3936993	MS19374
3937072	OS32139
3937111	48383 JV5072
3937142	GS33484
3937219	214-2196 214-2197
3937220	214-2196 214-2197
3937393	S42221
3937706	GS33582 GS33583
3937743	OC 1001 OC 320
3938152	MS12435
3938156	JV5072 JV5097
3938159	JV1622 JV1690
3938160	OS32205

CUMMINS	MAHLE
3938162	OS32172
3938163	229-2447
3938177	S42221
3938267	54126
3939397	229-2431
3940059	SH-1981
3940152	218-3798
3940153	218-3799
3940734	211-4183
3940735	211-4182
3941137	230-3059
3941476	223-3717
3942368	54174
3942567	229-2441
3942571	B45903
3942572	B45902
3942588	211-4298
3942589	211-4296
3942662	224-3355
3942748	214-2189
3942749	214-2190
3942755	8-5506
3942989	B45903
3943199	SH-2183
3943366	54132
3943445	214-1181
3943449	218-3790
3943450	218-3791
3943626	214-1182
3943708	224-3355
3943902	54132
3944153	MB-3104A
3944158	MB-3104A
3945033	229-2445
3945329	SH-2183
3945438	B45902
3945803	54174
3945917	MS-1740P
3945929	MB-3964A
3945930	MB-3104A
3946050	224-3354
3946051	224-3354
3946052	224-3354
3946053	224-3354.020
3946054	224-3354.040

CUMMINS	MAHLE
3946153	224-3355
3946156	224-3355.020
3946157	224-3355.040
3946532	JV1690
3947530	MIS19751 MS19355 MS19751
3947678	S42170
3947814	JV5076
3948095	226-2058 226-4566
3948102	217-4119
3948578	B45955
3949530	GS33584
3949562	OS32278 OS32381
3949580	S42170.040
3949808	224-3672
3949841	224-3672.020
3949842	224-3672.040
3949843	224-3674.020 225-3674.020
3949844	224-3674.040 225-3674.040
3949910	G32479 MIS19751
3954324	VS50416
3954829	C31858
3954875	54557
3954876	54557A
3955109	VS50419
3955339	MS19225
3955393	B45962
3955394	B45963
3957486	OS32278
3957492	JV1690
3957912	B45953
3958165	OS32278
3958644	54557
3958645	54557A HS54557A
3958675	224-3674
3958716	G32481 MIS19751
3959052	OS32139
3959079	S42170
3963379	VS50419

CUMMINS	MAHLE
3963988	GS33617
3963990	MIS19751
3964763	KC 6
3965497	224-3672
3966342	54556A HS54556 HS54556A
3966343	54556 HS54556
3966430	229-2448
3966675	224-3672.020
3966676	224-3672.040
3967256	229-2446
3968074	218-3795
3968381	229-2431
3969562	CB-1873AP
3969637	211-4295
3969988	MS19355
3970126	224-3673.020
3970127	224-3673.040
3970192	224-3673
3970518	S42140
3970548	48384 JV1690
3970727	211-4297
3970951	223-3642
3972753	MIS19751
3972757	216-4120
3972764	247-5228
3975641	VS50543
3975868	224-3802 225-3802
3976371	GS33614
3977063	54174 54174A 54174B
3977063(.25MM)	54174A
3977063(.50MM)	54174B
3977338	G32463 GS33616
3977393	GS33614
3977913	GS33485
3979506	229-2444
3979769	G32461 MIS19751
3991085	212-1797
4009220	226-4559

CUMMINS	MAHLE
4009233	226-4561
4010519	GS33613 GS33617
4019886	224-3328
4020059	225-3328
4022500	54146
4022763	CS54775-1
4023083	TW-703S
4023203	TW-457S TW-703S
4024767	226-4559
4024775	226-4561
4024779	223-7209 226-4559
4024853	286 TC 25444 000
4024918	EK3523VR HS5858A
4024919	EK3522VR HS5858B
4024920	EK3522VR HS5858-16
4024924	HS5858AH
4024925	HS54123
4024926	HS54123-1
4024927	HS54123-2
4024928	HS54123
4024929	HS54123-4
4024945	HS5858-3 HS5858-4
4024946	HS5858-3 HS5858-4
4024955	HS54123-5
4024957	HS5858-1
4024958	HS5858-15
4024992	HS54146-1
4025068	CS54123-2
4025069	CS54123-1
4025072	225-3781
4025120	MS-2318P
4025121	MS-2318P-.25MM
4025122	MS-2318P-.50MM
4025123	MS-2318P-.75MM
4025125	MS-1716P
4025126	MS-1716P-.25MM
4025127	MS-1716P-.50MM
4025128	MS-1716P-.75MM
4025155	HS54146-1

CUMMINS	MAHLE
4025157	HS54146-2
4025184	286 TC 25444 000
4025224	MS-2272P MS-2329P
4025238	HS54132
4025270	67639
4025271	HS54126
4026507	VS50625
4026522	B32488
4026523	B32486
4026660	B46021
4026684	OS32376
4026791	B46022
4026884	GS33617
4033172	286 TC 31101 000
4035044	286 TC 21010 000
4035761	286 TC 31101 000 286 TC 31102 000
4036239	286 TC 25004 000
4036720	286 TC 21201 000
4036836	286 TC 25042 000
4036892	286 TC 25444 000
4036900	286 TC 25444 000
4036902	286 TC 25444 000
4037002	286 TC 25042 000
4041076	286 TC 21201 000
4043137	286 TC 21101 100 286 TS 21101 100
4043214	286 TC 21201 000
4043225	286 TC 21201 000
4043600	286 TC 25042 000
4044188	286 TC 31104 000
4044990	286 TC 31104 000
4046031	286 TC 21006 000
4046837	286 TC 21101 100 286 TS 21101 100
4058790	54123 HS5858-4
4058949	JV5075
4058981	VS50320
4059349	226-4596
4062328	GS33484
4070529	VS50422
4089140	225-3672
4089150	225-3674
4089153	226-4596

CUMMINS	MAHLE
4089154	S42150
4089170	CS54775-2
4089172	HS54556 HS54557
4089173	CS54556
4089181	S42170.020
4089182	S42170.040
4089183	225-3672.020
4089184	225-3672.040
4089185	225-3674.020
4089186	225-3674.040
4089258	S42170
4089259	225-3672
4089260	225-3674
4089263	HS54556A HS54557A
4089342	48384
4089368	HS5858AH
4089369	EK3539 HS54123-1
4089370	EK3539 HS54123-2
4089371	EK3539 HS54123
4089372	EK3539 HS54123-4
4089390	CS4963 CS4963C
4089391	CS4963A
4089392	286 TC 21010 000
4089405	CB-1908P
4089419	S42170.040
4089422	225-3781.020
4089423	225-3781.040
4089460	S42170
4089478	HS54146-2
4089479	CS54132
4089489	S41887
4089500	S41882
4089614	S42170.020
4089615	S42170.040
4089642	286 TC 25004 000
4089644	S42163
4089646	225-3784
4089649	HS4068
4089669	225-3673

CUMMINS	MAHLE
4089670	225-3673.020
4089671	225-3673.040
4089673	286 TC 25042 000
4089713	286 TC 21201 000
4089754	286 TC 25444 000
4089761	211-4297
4089762	211-4295
4089781	HS54556
4089790	HS54174-1
4089793	S41885
4089797	286 TC 25042 000
4089810	S41888
4089811	S41889
4089819	HS54556 HS54557
4089845	MS-2297P-.25MM
4089846	MS-2297P-.50MM
4089958	HS54132
4089963	225-3788
4089998	CS54132
4090016	CB-1908P-.25MM
4090017	CB-1908P-.50MM
4090035	HS54174-1
4090037	HS54174-1
4098998	247-5180
4101507	226-4596
4101881	B32488
4101882	B32486
42671	CB-296P
42679	CB-296P
426791	CB-296P
43067	223-3696
4309095	225-3786
4319031	SH-2136
4319032	SH-2137
43219	TW-369S
43219S	TW-369S+10
43365	CB-296P
43463A	72222
4352578	HS4963A
4890926	GS33484
4891178	223-3718
4892795	CB-1873AP-.25MM
4892796	CB-1873AP-.50MM
4892797	CB-1873AP-.75MM
4893693	CB-1873AP

CUMMINS	MAHLE
4897898	OC 502
4907446	MS19740
4907447	MS19737
	MS19740
4907448	MS19737
4920093	VS50579
4923748	223-1968
4925762	247-5237
4926017	TW-703S
4926019	TW-457S
	TW-703S
4926316	54775
4931041	224-3802
	224-3802.020
4931365	GS33584
	GS33616
4931888	224-3802
	225-3802
4932210	54774
4932375	CB-1873AP-.25MM
4932376	CB-1873AP-.50MM
4932377	CB-1873AP-.75MM
4933225	F32482
4933235	MIS19751
	MS19751
4934063	217-4120
4934278	GS33617
4934279	GS33617
4934282	S42140.020
4934816	224-3802.020
	225-3802.020
4934860	224-3802
	225-3802
4934861	247-5229
4935205	KX 357
4936076	212-1796
4936940	OS32381
4937829	G32480
4938619	224-3732
4938620	224-3732.020
4940849	MIS19751
	MS19751
4941252	KX 357
4942435	G32480
4943167	OS32381
4943533	G32480
4944137	223-3726

CUMMINS	MAHLE
4944725	213-1794
4947667	JV1622
	JV1690
4952644	GS33613
4955160	224-3802
	225-3802
4955190	225-3786
4955229	HS54774-3
4955237	225-3783
4955251	42188
	42188.020
	S42188
	S42188.020
4955305	286 TC 21201 000
4955306	286 TC 21001 000
4955306RX	286 TC 21001 000
4955352	MS-1717P
	MS-2328P
4955354	HS54774-1
4955355	CS54774-1
4955361	286 TC 21101 100
	286 TS 21101 100
4955361NX	286 TC 21101 100
	286 TS 21101 100
4955365	225-3732
4955366	42140
	42140.020
	S42140
4955372	67883
4955383	67882
4955480	42140.020
	42188.020
	S42140.020
	S42188.020
4955523	HS54774-2
4955590	CS54775-1
4955591	CS54775-2
4955595	HS54775-1
4955596	HS54775-2
4955657	183 TC 23538 100
4955665	67622
4955853	MS-1717P
	MS-2328P
4955855	MS-2305A
4955860	MS-1717P-.25MM
	MS-2328P-.25MM
4955861	MS-1717P-.50MM
	MS-2328P-.50MM

CUMMINS	MAHLE
4955862	MS-1717P-.75MM
	MS-2328P-.75MM
4955975	S41882
4956007	225-3732.020
4965569	67881
4980462	247-5228
4985660	B32488
4985661	B32486
4989314	OC 502
4992982	VS50543
4993834	CB-1921P
4993835	CB-1921P-.25MM
4995630	214-2191
4995631	214-2192
5083	OS21996
5253888	214-2193
5264570	GS33617
5264950	VS50543
5266801	G32480
5278913	211-4284
553670	TW-448S
555420	223-3565
555421	223-3565
556350	CB-994P
556351	CB-994P-10
5894	CB-296P
6204218500	TW-687S
6207313130	223-3681
668771	224-1538
66890	217-3606
68002987AA	MS-1717P
	MS-2328P
68061A	72010
6891	72218
70624	72327
891733	KC 28
8926921	247-5042
AR02860	S41885
AR03540	S41888
AR03640	MS-1265P
AR03641	MS-1265P-10
AR03642	MS-1265P-20
AR03643	MS-1265P-30
AR04970	S41314
AR05030	S41888
AR05060	S41888

CUMMINS	MAHLE
AR05100	S40856
AR05110	S41888
AR05130	S40856
AR06680	S41888
AR06711	S41888
AR07090	MS-1531P
AR07092	MS-1531P-20
AR07110	MS-1687P
AR07111	MS-1687P-10
AR07112	MS-1687P-20
AR07113	MS-1687P-30
AR07240	MS-1687P
AR07241	MS-1687P-10
AR07242	MS-1687P-20
AR07243	MS-1687P-30
AR07272	MS-1687P-20
AR07378	226-1506
AR07379	226-1506
AR07383	226-1506
AR07395	226-1506
AR07396	226-1506
AR09311	226-4414
AR10680	S41882
AR11317	226-4414
AR11671	S41888
AR11909	226-1571
AR11930	S41885
AR12098	S41314
AR12250	MS-2018P
AR12251	MS-2018P-10
AR12270	MS-1625P
AR12271	MS-1625P-10
AR12272	MS-1625P-20
AR12600	183 TC 24562 000
AR12608	183 TC 24562 000
AR12684	HS5858-1
AR12694	HS5858-1
AR3560	224-3269
AR45432	183 TC 24562 000
AR45625	HS54123-5
AR51340	S41888
AR51479	CB-625P
AR51661	CB-625P-10
AR5973	226-1747
AR60473	247-5003

CUMMINS	MAHLE
AR60740	224-2124
AR61102	247-5002
	247-5003
AR62184	MS-1061P-10
AR62258	S40856
AR63500	HS3932X
AR63512	HS3932X
AR63514	HS3932X
AR63515	HS3932X
AR73350	S51307
AR7510	224-1538
AR7709	47543
AR8069	226-4456
AT6000	224-2342
B3908615	OC 320
BM17799	MS-1687P
BM27253	SH-568S
BM28977	MS-1687P
BM28978	MS-1687P
BM29528	MS-1531P
BM40200	224-1538
BM55100	224-1538
BM55320	224-1538
BM68440	226-1506
BM68669	KC 28
BM71750	MS-1687P
BM71751	MS-1687P-10
BM71752	MS-1687P-20
BM71753	MS-1687P-30
BM78669	KC 28
BM78672	KC 28
BM92170	224-1538
BM98226	226-4419
BM98677	226-4414
BM98931	226-1506
BM98932	226-1506
BM99820	MS-1061P
BM99821	MS-1061P-10
BM99822	MS-1061P-20
BM99823	MS-1061P-30
BM99830	MS-1060P
BM99831	MS-1060P-10
BM99832	MS-1060P-20
BM99833	MS-1060P-30
C6204218100	MS-2287P
C6204218500	MS-2287P

CUMMINS	MAHLE
C6204278100	MS-2287P-.75MM
C6204288100	MS-2287P-.50MM
C6204298100	MS-2287P-.25MM
CF105	KC 28
D156172	KC 28
E44360	72010
ES119	72010
FF5052	KC 6
H4799	OS21996
H5083	OS21996
J919117	286 TC 14015 000
J919199	286 TC 15267 000
NA	S41416
NH42679	CB-296P
NH66890I	217-3606
OP2035-01	CS54147-1
OP2037	CS54147-1
S16109	47543
Y141744	46773
Z113985	46773

MAHLE	CUMMINS	MAHLE	CUMMINS	MAHLE	CUMMINS
001 TC 31102 000	3599940	183 TC 24562 000	3529040	211-3204	3902254
061 TC 31101 000	3597660		3801935		3921444
	3597661		3801936	211-3311	206515
183 TC 23538 000	3538222		3801960		3007225
	3538223		3803279		3024395
	3538224		3803287		3035110
	3538225		3803673		3088391
	3538226		AR12600		3803529
	3538227		AR12608	211-3316	3070159
	3538228		AR45432		3080976
	3538228	183 TC 24563 000	3527046		3418021
	3538230		3527047		3800639
	3591459		3527048		3803730
	3599335		3529032		3895110
	3800400		3803108	211-3343	207241
183 TC 23538 100	3538222	183 TC 24564 000	3525998		3088393
	3538223		3527547		3803515
	3538224		3801918	211-3347	3068828
	3538225	183 TC 25331 000	3803570		3080975
	3538226		211-1945		3418020
	3538227		123659		3800638
	3538228		145701		3803310
	3538228		3019370	211-4182	3802924
	3538228		3406659		3940735
	3538230		3803519	211-4183	3802967
	3591459		3803524		3940734
	3599335	211-2325	166774	211-4282	3083991
	3800400		3275356		3084980
	4955657		3275779LL		3166410
183 TC 24276 000	3528552	211-2689	3040830		3800891
	3528602		3803519	211-4283	3068519
	3529435				3803360
	3530767	211-2748	3033234	211-4284	3084045
	3532054		3801356		3803854
	3803308				5278913
	3803388	211-2749	3033235	211-4285	3803770
	3803586		3417713		3070473
183 TC 24517 000	3522865		3801357		3078399
	3522866		3803348	211-4286	3069672
	3523273		3803995		3803726
	3801613		3803996	211-4295	3969637
	3801617		3818520		4089762
183 TC 24518 000	3522872	211-3201	3895477		3800341
	3801599				3942589
183 TC 24519 000	3522867		3802005	211-4297	3970727
	3801614		3802355		4089761
183 TC 24562 000	3001559		3901117	211-4298	3800340
	3024387	211-3202	3920867		3942588
	3026924				3925272
	3032031		3802006		
	3032052		3802356		
	3032060		3901607		
	3081960		3920868		
		211-3203	3802463		
			3924492		
		211-3204	3802085		

MAHLE	CUMMINS
212-1796	4936076
212-1797	3991085
212-1800	3900276
213-1794	4944725
214-1181	3943445
214-1182	3943626
214-1183	3905870
214-1184	3922488
214-2188	3901717
214-2189	3942748
214-2190	3942749
214-2191	4995630
214-2192	4995631
214-2193	5253888
214-2194	3910810
214-2195	3910811
214-2196	3937219 3937220
214-2197	3937219 3937220
216-4120	3972757
216-4121	3900299
216-5215	3275354
217-3210	138937 151068
217-3289	154946 3278173
217-3332	3033314 3033315
217-3446	3018818
217-3606	66890 NH66890I
217-3916	147967 174213 3006456 3050369
217-4073	3202210
217-4082	3073512 3328785
217-4092	3064312
217-4114	3904408
217-4115	3904409
217-4117	3923564
217-4118	3925863
217-4119	3948102
217-4120	4934063
218-3732.010	3032287

MAHLE	CUMMINS
218-3732	3017759 3202314
218-3790	3943449
218-3791	3943450
218-3795	3968074
218-3796	3924582
218-3797	3928174
218-3798	3940152
218-3799	3940153
218-3800	3929005
218-7800	195000
223-1932	3934047
223-1960	3064304
223-1968	4923748
223-3545	187420
223-3564	195360 3277332
223-3565	555420 555421
223-3642	3901470 3913990 3970951
223-3681	6207313130
223-3696	43067
223-3698	3027105
223-3699	3820303 3896894
223-3700	205180 3000965 3043909
223-3701	3064295
223-3717	3901085 3941476
223-3718	4891178
223-3726	4944137
223-5525	3920691
223-5540	3064305
223-7077	183049 3032874
223-7142	181449 215983 2168
223-7155	216879 152948 171880 216283
223-7158	215090 3032874

MAHLE	CUMMINS
223-7183	3011076 3014668 3081489
223-7200	3047188
223-7201	3907177
223-7209	4024779
223-7216	3678738
223-8012	3065406
223-8014	3054948
223-8133	202227
223-8147	3822959 3822960 3822961
224-1538	151850 668771 AR7510 BM40200 BM55100 BM55320 BM92170
224-2091	210360 212020 3019287 3037413
224-2124	200800 AR60740
224-2144	3017349 3801058
224-2197	3028685
224-2262	3042320 3801535
224-2271	3029010 3036669 3037820 3044448 3803965
224-2339	3028686 3051555 3801770 3804414
224-2340	3051554 3801876
224-2341	3051553 3801766
224-2342	3048650 3095759 3801104 3801703 3804409 AT6000

MAHLE	CUMMINS
224-2343	3051557 3801393 3801793
224-2344	3051556 3801773
224-2743	3069212 3803344
224-2818	3052794 3801954
224-2819	3045948 3801534
224-2820	3048809 3801820
224-2821	3048808 3801819
224-2822	3050366 3801818
224-2823	3050480 3801744
224-3012	3917707
224-3249	3042318 3801533
224-3269	166630 AR3560
224-3276	3055622 3803626 3803967
224-3284	3072324 3081269 3803429 3803758
224-3289	3095739 3804414
224-3290	3081268 3083754WP
224-3293	3802657 3929161
224-3313	3096681 3631245
224-3321.020	3903656
224-3321.040	3903655
224-3322.020	3930188
224-3322.040	3930189
224-3322	3930187
224-3323.020	3802764 3928674
224-3323.040	3928675
224-3325	3802398 3903895

MAHLE	CUMMINS
224-3325	3908008 3908479 3908636 3908749 3919564 3919928 3923163
224-3326	3802398 3919565 3919930 3923164
224-3328	4019886
224-3329	3919247
224-3330A	3925878
224-3330C	3925880
224-3330D	3925881
224-3333	3096685 3631241
224-3334	3096680 3631246
224-3354.020	3946053
224-3354.040	3946054
224-3354	3800838 3946050 3946051 3946052
224-3355.020	3946156
224-3355.040	3946157
224-3355	3800781 3942662 3943708 3946153
224-3513.020	3926634
224-3513.040	3926635
224-3513	3926632
224-3515	3926631
224-3520.020	3922574
224-3520.040	3922575 3934047
224-3520	3922571 3934047
224-3522.020	3912049
224-3522.040	3912050
224-3522	3911400
224-3523.020	3907157
224-3523.040	3907158
224-3523	3907156
224-3525.020	3908815

MAHLE	CUMMINS
224-3525.040	3908816
224-3525	3907163
224-3526.020	3906209
224-3526.040	3906208
224-3526	3906223
224-3672.020	3949841 3966675
224-3672.040	3949842 3966676
224-3672	3949808 3965497
224-3673.020	3970126
224-3673.040	3970127
224-3673	3970192
224-3674.020	3949843
224-3674.040	3949844
224-3674	3958675
224-3732.020	4938620
224-3732	4938619
224-3771X	3084044 3087634
224-3772X	3084023 3087635
224-3773X	3865113
224-3774X	3087635
224-3775	3803741
224-3776	3803739
224-3777	3804630
224-3802.020	3920691 4931041 4934816
224-3802	3920691 3975868 4931041 4931888 4934860 4955160
225-3293	3802657
225-3321.020	3802032
225-3321.040	3802034
225-3321	3802030
225-3322.020	3802758 3805758 3934047
225-3322.040	3802759 3934047
225-3322	3802757 3934047

MAHLE	CUMMINS
225-3323.020	3802764 3934047
225-3323.040	3802765 3934047
225-3328	4020059
225-3330A	3802601
225-3330B	3802602
225-3330C	3802603
225-3330D	3802604
225-3331D	3802568
225-3345	3802090
225-3354.020	3800839 3800841
225-3354.040	3800840 3800842
225-3354	3800838 3800839 3800840
225-3355.020	3804990
225-3355.040	3800785
225-3355	3800781 3800782 3800783 3919053
225-3513.020	3802564
225-3513.040	3802565
225-3513	3802562
225-3515	3802561
225-3520.020	3802493 3934047
225-3520.040	3802495
225-3520	3802487 3934047
225-3523.020	3802102 3934048
225-3523.040	3802104 3934048
225-3523	3802100 3934048
225-3525.020	3802132 3908815
225-3525.040	3802134 3934048
225-3525	3802160
225-3526.020	3802062 3906209
225-3526.040	3802064 3906208

MAHLE	CUMMINS
225-3526	3802060 3906223
225-3672.020	4089183
225-3672.040	4089184
225-3672	4089140 4089259
225-3673.020	4089670
225-3673.040	4089671
225-3673	4089669
225-3674.020	3949843 4089185
225-3674.040	3949844 4089186
225-3674	4089150 4089260
225-3732.020	4956007
225-3732	4955365
225-3754	3800320
225-3780	3802927
225-3781.020	4089422
225-3781.040	4089423
225-3781	4025072
225-3783	4955237
225-3784	4089646
225-3786	4309095 4955190
225-3787	3800318
225-3788	4089963
225-3789.020	3800761
225-3789.040	3800760
225-3789	3800756
225-3802.020	4934816
225-3802	3975868 4931888 4934860 4955160
226-1506	AR07378 AR07379 AR07383 AR07395 AR07396 BM68440 BM98931 BM98932
226-1571	AR11909
226-1646	3016890 3801872
226-1703	3801234

MAHLE	CUMMINS
226-1703	3801796
226-1745	3801771
226-1746	3801782
226-1747	3801392 3801704 3801795 3804349 3804439 AR5973
226-1748	3801765
226-1749	3801768
226-1750	3801777
226-1760	3801775
226-1769	3801764
226-1770	3801774
226-1771	3801776 3804351
226-1772	3801779
226-1773	3801780
226-1774	3801781
226-1775	3801873
226-1792	3803213
226-1793	3803214
226-1794	3803212
226-1796	3803211
226-1821	3803346
226-1822	3803219
226-1831	3801817
226-1832	3803216
226-1833	3801824
226-1834	3803215
226-1835	3801823
226-1836	3801823 3803217
226-1837	3801822
226-1839	3801746
226-1840	3801746 3803209
226-1841	3801956
226-1842	3801956(20/40) 3801956(20/40)
226-1847	1111765 3801765 3801956
226-1848	3800302 3803221 3804379
226-1851	3800801

MAHLE	CUMMINS
226-1851	3801126
	3801543
	3803465
	3803632
	3803973
226-1852	3800800
226-1857	3803209
226-1860	3801780
226-1862	3801774
226-1863	3801779
226-1873	3803210
226-1874	3801781
	3803228
226-1880	3801797
226-1883	3801776
226-1884	3801779
226-1894	3802388
226-1899	3802406
226-1903	3803759
226-1905	3804444
226-1907	3804474
226-1908	3803759(20/40)
	3803759(20/40)
226-1911	3803755
226-1912	3803755(20/40)
	3803755(20/40)
226-1917	3802811
226-1947	3802398
	3802404
226-1948	3802400
226-1950	3802398
	3802401
226-1951	3802403
226-2035	3800328
	3802429
	3929161
	3934593
226-2039	3803742
	3804501
226-2040	3803740
	3804639
	3804653
226-2041	3804636
226-2058	3917707
	3948095
226-2070	3800319
226-4414	183050
	204090

MAHLE	CUMMINS
226-4414	210130
	213740
	3042763
	3055099
	3801826
	AR09311
	AR11317
	BM98677
226-4419	182020
	184400
	BM98226
226-4456	203170
	AR8069
226-4477	3035812
	3046325
	3803219
226-4486	3054936
	3065405
	3803219
226-4490	3900396
	3904166
226-4496	3802370
	3907792
226-4544	3005984
	3007525
	3011885
	3022157
226-4546	3034816
	3040882
	3064627
	3080760
	3803703
226-4547	3802407
	3919937
226-4559	4009220
	4024767
	4024779
226-4561	4009233
	4024775
226-4566	3800328
	3948095
226-4596	2882764
	3682829
	4059349
	4089153
	4101507
229-2429	3929038
	3929885
229-2430	3914638
	3925585
	3929039

MAHLE	CUMMINS
229-2431	3925582
	3939397
	3968381
229-2432	3929886
229-2433	3914639
	3929042
229-2434	3283179
229-2435	3914640
	3923478
	3924471
229-2440	3929734
229-2441	3942567
229-2442	3930378
229-2444	3979506
229-2445	3945033
229-2446	3967256
229-2447	3938163
229-2448	3966430
229-2451	111888
	129660
	129680
	3023228
	3608839
	3608840
	3801030
230-3057	3935892
230-3059	3941137
230-3060	3919435
247-5001	3000140
	3608833
247-5002	194840
	AR61102
247-5003	201950
	3041263
	AR60473
	AR61102
247-5042	8926921
247-5049	3029340
247-5066	195240
247-5068	101109
	3029341
247-5096	3917320
	39174443
	3918986
247-5130	3907804
	3908032
	3929037
247-5133	3819989
247-5139	3096362

MAHLE	CUMMINS
247-5177	3907803 3908031 3929036
247-5178	3064291
247-5180	3627642 3629276 4098998
247-5183	3073707
247-5220	3005357 3201082 3347569
247-5228	3972764 4980462
247-5229	4934861
247-5237	3608889 3681911 4925762
286 TC 14015 000	3522778 3528742 3530714 3530772 3535414 3535415 3535416 3535417 3535418 3535420 3535421 3535454 3538188 3538277 3802289 J919117
286 TC 14234 000	3520030 3522900 3528743 3528744 3530721 3535381 3535422 3535423 3535424 3535425 3535426 3535427 3536677 3802290
286 TC 15235 000	3525238 3803024
286 TC 15267 000	3524034 3524035

MAHLE	CUMMINS
286 TC 15267 000	3528777 3528778 3530716 3535456 3535457 3590079 3596988 3802126 3802303 3910877 3919201 J919199
286 TC 15390 000	3800709 3802798
286 TC 16102 000	3803109
286 TC 17385 000	3802906
286 TC 21001 000	4955306 4955306RX
286 TC 21002 000	3592766 3800799 3800799
286 TC 21003 000	3539911 3802204 3802558 3802839 3804964
286 TC 21006 000	2834419 3590044 3800471 4046031
286 TC 21007 000	3539369 3802678 3802992
286 TC 21008 000	3539394 3802946
286 TC 21009 000	3590104 3800397
286 TC 21010 000	3599811 4035044 4089392
286 TC 21101 100	2835911 2837647 2839682 4043137 4046837 4955361 4955361NX
286 TC 21102 000	3538351 3538352 3804858
286 TC 21103 000	3534286

MAHLE	CUMMINS
286 TC 21103 000	3592224 3592225 3592226 3800990
286 TC 21201 000	2842411 2843886 2843887 2881993 3768263 3768267 4036720 4041076 4043214 4043225 4089713 4955305
286 TC 24275 000	3801489
286 TC 24516 000	3801591
286 TC 24555 000	3803583 3804800
286 TC 24556 000	3803584 3804801
286 TC 24557 000	3536263 3537074 3803553 3803585 3804308 3804502
286 TC 24929 000	3800383
286 TC 25004 000	3800973 4036239 4089642
286 TC 25042 000	4036836 4037002 4043600 4089673 4089797
286 TC 25444 000	3590909 3591788 3595090 3800653 3800775 4024853 4025184 4036892 4036900 4036902 4089754
286 TC 31101 000	3537133 3537134 3537135

MAHLE	CUMMINS	MAHLE	CUMMINS	MAHLE	CUMMINS		
286 TC 31101 000	3537136	4068E	3918307	4961	3907054		
	3537137		3915726		3917354		
	3537137	42140.020	4955366	54123	3349818		
	3598176		4955480		3411461		
	3598176	42140	4955366	3921393	54126	3907682	
	3802770	42188.020	4955251	3911342		3921216	
	4033172		4955480	3921850	3928168	3931019	
	4035761	42188	4955251	3935585	3938267	54132	3943366
286 TC 31102 000	3537133	46773	113985	3943902	54146		2864080
	3537134		141744	3044580		3044580	
	3537135	204829	3328634	3328925	54174A	3977063	
	3537136	215445	3328925	3882568		3977063(.25MM)	
	3537137	Y141744	3882568	3883519	54174B	3977063	
	3537137	Z113985	3883718	3883927		3977063(.50MM)	
	3598176	47542	211255	3883927	54174	3942368	
	3598176		3004316	3893927		3945803	
3802770	47543	141743	3893927	3977063	54224	3074982	
4035761		176927	3899378	3976189		54556A	2830705
286 TC 31104 000	3535619	187863	4022500	3966342	54556		2830704
	3535620	208069	48068	3006737		2830704	54557A
	3535636	212227		3020183	3970548	3958645	
	3535638	3010457	48164	3802820	3958644	54774	4932210
	3537127	AR7709		3804355	4089342		3685639
	3537128	S16109	3804899	48384	3921395	601-8035	3015273
	3538677	48068	3006737		3970548		3045882
	3802810		3020183	3904899	4089342	3283337	4068E
4044188	48383	3802820	4961-2	3283001	4068C	3282805	
4044990		3804355		3283336		3904335	3283335
286 TS 21101 100	2835911	3804899	3900709	3904335	3283570	3903653	
	2837647	3900709	3904353	3907055	3903653	3907057	
	2839682	3904353	3906080	3915720	3907057	3908997	
	4043137	3906080	3937111	3917355	3908997	3915730	
	4046837	3937111	48384	3921395	3915730	3917357	3917357
	4955361	3970548		4961-3	3283003	3917357	3917358
	4955361NX	4089342	3283338		3904336	3918305	3918305
	3934	212224	3907056	3915721	3907056	3921394	3921394
4068C		3282805	3921397	3921397	4068D	3283000	
	3283335	4961	3282999	3283333		3283337	3283337
3283570	3282999		3283333	3918306	3918306	3918306	3918306
3903653	3283569	3904334	3283569	3921396	3921396	3921396	
3907057	4068E	4961	3904334	3921396	4068D	3283000	
3908997			3921395	3921397		3283337	3283337
3915730	3283339	3921397	4961	3282999	4068E	3283339	
3917357	3283339	3904334		3283333		3283333	
3917358	4068D	4961	3283569	3904334	3918306	3918306	
3918305			3921396	3904334	3921397	3921396	3921396
3921394	4068E	4961	3904334	3904334	3921396	3921396	
3283000			3283339	3904334	3904334	3921396	3921396
3283337	4068E	4961	3904334	3904334	3921396	3921396	
3918306			3283339	3904334	3904334	3921396	3921396
3921396	4068E	4961	3904334	3904334	3921396	3921396	
3283339			3283339	3904334	3904334	3921396	3921396

MAHLE	CUMMINS
601-8035	3077770
	3609837
	3821572
	3821575
67622	3328698
	3804744
	3892021
	4955665
67623	3027949
	3032012
	3800643
	3800968
	3801139
	3801628
	3803354
67633	3161772
	3803894
67639	3353977
	3908139
	3908141
	3921927
	4025270
67648	3031445
	3049464
	3803573
	3895062
67650	3041804
	3049465
	3803574
	3895063
	3895075
67652	3803896
67658	3078292
	3800616
	3803720
67682	3010459
67857	3926126
67881	4965569
67882	4955383
67883	4955372
72010	68061A
	E44360
	ES119
72013	3102109
72018	145504
72121	3042544
72218	6891
72222	43463A
72327	3678756
	70624

MAHLE	CUMMINS
72621	3678846
8-5506	3942755
8-5507	3929028
8-5508	3921954
B32477	3104232
B32484	3287561
B32486	3411879
	3679574
	4026523
	4101882
	4985661
B32487	3679934
B32488	3411878
	3679573
	4026522
	4101881
	4985660
B32489	3679930
B32490	3679932
B32491	3679931
B45411A	3901097
	3921640
B45893	3901178
	3915707
	3927642
B45894	3064281
B45902	3942572
	3945438
B45903	3942571
	3942989
B45928	3073510
	3328781
B45953	3957912
B45955	3948578
B45962	3955393
B45963	3955394
B45977	135612
	156641
B46021	4026660
B46022	4026791
C31421	3923331
C31858	3954829
CB-1073P-10	189771
CB-1073P-20	189772
CB-1073P	189770
CB-1226P-10	214951
CB-1226P-20	214952
CB-1226P-30	214953

MAHLE	CUMMINS
CB-1226P-40	214954
CB-1226P	214950
	3150011
CB-1357P-10	205841
CB-1357P-20	205842
CB-1357P	205840
CB-1382P-.25MM	3016761
CB-1382P-.50MM	3016762
CB-1382P-.75MM	3016763
CB-1382P	3016760
CB-1409P-.25MM	3901431
CB-1409P-.50MM	3901432
CB-1409P-.75MM	3901433
CB-1409P	3901430
CB-1413P-.25MM	3901171
CB-1413P-.50MM	3901172
CB-1413P-.75MM	3901173
CB-1413P	3901170
CB-1616P-10	3055146
CB-1616P-20	3055147
CB-1616P	3055145
CB-1619P-10	3047391
CB-1619P-20	3047392
CB-1619P	3047390
CB-1631P-10	157621
	3012361
CB-1631P-20	157622
	3012362
CB-1631P-30	157623
	30123623
CB-1631P	157620
	179800
	3012360
CB-1873AP-.25MM	4892795
	4932375
CB-1873AP-.50MM	4892796
	4932376
CB-1873AP-.75MM	4892797
	4932377
CB-1873AP	3969562
	4893693
CB-1908P-.25MM	4090016
CB-1908P-.50MM	4090017
CB-1908P	4089405
CB-1921P-.25MM	4993835
CB-1921P	4993834
CB-296P-10	203671

MAHLE	CUMMINS
CB-296P-20	203672
CB-296P-30	203673
CB-296P-40	203674
CB-296P	203670 42671 42679 426791 43365 5894 NH42679
CB-625P-10	139621 195231 203661 303661 AR51661
CB-625P-20	139622 195232 203662
CB-625P-30	139623 195233 203663
CB-625P	139620 195230 203660 AR51479
CB-965P-10	180071 200601
CB-965P-20	180072 200602
CB-965P	180070 200600
CB-994P-10	556351
CB-994P	556350
CS3488K	3802075
CS3980	3277744 3801657
CS4068	3802029 3802267 3802376
CS4961	3802375
CS4963A	3801007 4089391
CS4963C	3801719 3804301 4089390
CS4963	3801006 4089390
CS54123-1	3803376 3803613 4025069

MAHLE	CUMMINS
CS54123-2	3800618 3804635 4025068
CS54126-1	3800348 3800558 3802087 3802354 3802389 3806183
CS54132-1	3800343
CS54132	3800704 3803294 3803453 3803572 3804749 4089479 4089998
CS54147-1	OP2035-01 OP2037
CS54147	3803404
CS54174-1	3800487 3802980
CS54556	4089173
CS54774-1	4955355
CS54775-1	3102234 3800448 4022763 4955590
CS54775-2	4089170 4955591
CS5858-13	3014459
CS5858-2	3801464
CS5858-3	3803041
CS5858-4	3801051 3801335 3801468
CS5858-5	3801235
CS5858-6	3801454
CS5858-7	3801339 3801463
CS5858-9	3801470
D32483	2830977
EK3518-1	3099083 3801330 3804276
EK3518-2	3801330 3804276
EK3520-1	3801332 3801451

MAHLE	CUMMINS
EK3522VR	3099083 3349820 3801754 4024919 4024920
EK3523VR	3099083 3349820 3803040 4024918
EK3539	3070136 3070137 3070138 3349820 4089369 4089370 4089371 4089372
F10142	3912220
F32482	4933225
G32461	3979769
G32463	3977338
G32479	3949910
G32480	4937829 4942435 4943533 5266801
G32481	3958716
G32485	3104229 3682551
G32492	3104230
GS27706	135600 186780
GS30376	190849 3069177
GS33337	193736 3800064
GS33484	3906659 3937142 4062328 4890926
GS33485	3977913
GS33491	3909409
GS33493	3927063
GS33538	3070136 3070137 3070138
GS33571	196641 3007759
GS33582	3883284 3901356

MAHLE	CUMMINS
GS33582	3902425
	3906773
	3931350
	3937706
GS33583	3519807
	3709861
	3883284
	3922794
	3931824
	3937706
GS33584	3678603
	3678786
	3922794
	3931824
	3949530
	4931365
GS33609	3330537
	3330538
	3347937
	3347939
GS33613	109080
	212161
	3049221
	3066211
	3101268
	3102314
	3104229
	3104230
	3678603
	3678770
	3678925
	3680324
	3682076
	3682360
	4010519
4952644	
GS33614	3976371
	3977393
GS33616	3678603
	3678786
	3883284
	3922794
	3928624
	3977338
4931365	
GS33617	3101268
	3102314
	3627695
	3678603
	3678762
	3678786
	3678912

MAHLE	CUMMINS
GS33617	3679139
	3680324
	3682177
	3684284
	3684359
	3685535
	3922794
	3935171
	3963988
	4010519
	4026884
HS3932X	4934278
	4934279
	5264570
	3277753
HS3980	AR63500
	AR63512
	AR63514
	AR63515
HS4068A	3277752
	3801657
HS4068B	3802364
	3802245
HS4068	3802025
	3802026
	3802226
	3802243
	3802363
	3804897
	4089649
HS4961-2	3802017
	3802217
	3802241
HS4961-3	3802362
	3802018
	3802218
HS4961	3802242
	3802015
	3802016
	3802216
	3802240
HS4963A	3802361
	3804896
	3800728
	3801005
HS4963	3803598
	3804296
	4352578
	3800727
	3803597
3804295	

MAHLE	CUMMINS
HS54123-1	3803445
	3803607
	3803714
	3804290
	4024926
	4089369
HS54123-2	3803374
	3803608
	3803715
	3804291
	4024927
	4089370
HS54123-4	3804741
	4024929
	4089372
HS54123-5	3801397
	3804272
	4024955
	AR45625
HS54123	3803375
	3803609
	3803716
	3804287
	4024925
HS54126	4024928
	4089371
	3800750
	3802086
	3802268
	3802341
	3802360
3802452	
HS54132	3802624
	4025271
	3800342
HS54146-1	4025238
	4089958
	3801141
HS54146-2	3801641
	3803463
	3804843
	4024992
HS54163-11	4025155
	4025157
HS54174-1	4089478
	3918256
HS54556A	3800853
	3802981
	4089790
	4090035
	4090037

MAHLE	CUMMINS
HS54556A	4089263
HS54556	3966342
	3966343
	4089172
	4089781
	4089819
HS54557A	3958645
	4089263
HS54557	4089172
	4089819
HS54774-1	4955354
HS54774-2	4955523
HS54774-3	4955229
HS54775-1	4955595
HS54775-2	4955596
HS5858-15	3801328
	3801329
	3801335
	4024958
HS5858-16	3801451
	3801839
	3803983
	4024920
HS5858-1	3801324
	4024957
	AR12684
	AR12694
HS5858-3	3801330
	3801335
	3801339
	3801341
	3804276
	4024945
	4024946
HS5858-4	3801330
	3801339
	3801341
	3804276
	4024945
	4024946
HS5858AH	4058790
	3803444
	3803606
	3803713
	3804286
	4024924
HS5858A	4089368
	3803040
	3803981
	4024918
HS5858B	3801754

MAHLE	CUMMINS
HS5858B	3803982
	4024919
JV1186	3802820
	3901856
	3902369
	3903475
	3904492
	3905143
	3910500
	3914385
JV1622	3901019
	3904323
	3909410
	3914386
	3928493
	3934486
	3938159
	4947667
JV1689	3006737
	3067616
JV1690	3357693
	3901019
	3914386
	3928493
	3938159
	3946532
	3957492
	3970548
	4947667
JV5017	3803894
	3804304
	3804744
JV5072	3916131
	3916401
	3918673
	3937111
	3938156
JV5073	3027692
	3027714
	3032011
	3037349
	3058148
	3801138
	3801627
	3803576
	3803896
JV5074	3281721
	3921927
JV5075	215705
	3004316
	3006736
	3020183

MAHLE	CUMMINS
JV5075	3020186
	3065115
	3067618
	3076203
	3413082
	4058949
JV5076	3802820
	3947814
JV5097	3802820
	3902365
	3907836
	3914384
	3916131
	3931351
	3938156
K31420	3906698
KC 191	3890706
	3903410
	3925274
	3930942
	3930942
	3930942
	3930942
	3930942
	3935274
KC 28	154709
	154710
	154711
	154744
	156171
	156172
	202893
	252811
	3300901
	3315804
	331584
	3315844
	3315845
	3315847
	891733
	BM68669
	BM78669
	BM78672
	CF105
	D156172
KC 6	3890707
	3903640
	3931065
	3964763
	FF5052
KX 357	4935205
	4941252

MAHLE	CUMMINS
MB-3104A	3944153 3944158 3945930
MB-3964A	3945929
MIS19751	3947530 3949910 3958716 3963990 3972753 3979769 4933235 4940849
MS-1060P-10	BM99831
MS-1060P-20	BM99832
MS-1060P-30	BM99833
MS-1060P	BM99830
MS-1061P-10	AR62184 BM99821
MS-1061P-20	BM99822
MS-1061P-30	BM99823
MS-1061P	BM99820
MS-1265P-10	AR03641
MS-1265P-20	AR03642
MS-1265P-30	AR03643
MS-1265P	AR03640
MS-1531P-10	3801271
MS-1531P-20	3801272 AR07092
MS-1531P	3801270 AR07090 BM29528
MS-1625P-10	AR12271
MS-1625P-20	AR12272
MS-1625P	AR12270
MS-1687P-10	3030217 3801261 AR07111 AR07241 BM71751
MS-1687P-20	3030218 3801262 AR07112 AR07242 AR07272 BM71752
MS-1687P-30	3030219 3801263 AR07113 AR07243

MAHLE	CUMMINS
MS-1687P-30	BM71753
MS-1687P	3030216 3801260 AR07110 AR07240 BM17799 BM28977 BM28978 BM71750
MS-1716P-.25MM	3801151 4025126
MS-1716P-.50MM	3801152 4025127
MS-1716P-.75MM	3801153 4025128
MS-1716P	3801150 4025125
MS-1717P-.25MM	3802071 4955860
MS-1717P-.50MM	3802072 4955861
MS-1717P-.75MM	3802073 4955862
MS-1717P	3802070 4955352 4955853 68002987AA
MS-1718P-.25MM	3802011
MS-1718P-.50MM	3802012
MS-1718P-.75MM	3802013
MS-1718P	3802010
MS-1740P-.25MM	3802211
MS-1740P-.50MM	3802212
MS-1740P	3802210 3945917
MS-2018P-10	AR12251
MS-2018P	AR12250
MS-2019P-10	3018211
MS-2019P	3018210
MS-2272P	4025224
MS-2287P-.25MM	C6204298100
MS-2287P-.50MM	C6204288100
MS-2287P-.75MM	C6204278100
MS-2287P	3800872 C6204218100 C6204218500
MS-2297P-.25MM	4089845
MS-2297P-.50MM	3800298 4089846

MAHLE	CUMMINS
MS-2297P	3800298
MS-2305A	4955855
MS-2318P-.25MM	4025121
MS-2318P-.50MM	4025122
MS-2318P-.75MM	4025123
MS-2318P	4025120
MS-2328P-.25MM	3802071 4955860
MS-2328P-.50MM	3802072 4955861
MS-2328P-.75MM	3802073 4955862
MS-2328P	3802070 4955352 4955853 68002987AA
MS-2329P	4025224
MS10141	3927154
MS12242X	130653 132977 142234 3020943 3069100
MS12435	3902002 3914029 3931347 3938152
MS19225	3955339
MS19355	3947530 3969988
MS19374	3936993
MS19719	3929012
MS19737	3682710 3682940 3683940 4907447 4907448
MS19740	4907446 4907447
MS19750	3678770 3682177
MS19751	3947530 4933235 4940849
OC 1001	3903264 3908615 3908615 3914395 3932217 3937743

MAHLE	CUMMINS	
OC 282	3021658	
	3304232	
	3309637	
	3313283	
	3313284	
	3313289	
	3889311	
OC 320	10521	
	3155618	
	3890708	
	3890710	
	3903264	
	3908615	
	3914395	
	3932217	
	3937743	
	B3908615	
	OC 502	4897898
		4989314
	OS21794	196949
OS21996	157551	
	178788	
	3027983	
	3029847	
	3031469	
	3032861	
	3099083	
	5083	
	H4799	
	H5083	
	OS32139	3902425
3911536		
3914383		
3920773		
3931346		
3937072		
3959052		
OS32172		3900393
		3900947
		3906027
		3911535
		3931602
	3938162	
OS32201	3349820	
OS32205	3906611	
	3911818	
	3914017	
	3934044	
	3938160	
OS32209	3882433	
OS32210	3252363	

MAHLE	CUMMINS
OS32219	3401290
OS32278	3949562
	3957486
	3958165
OS32376	4026684
OS32381	3287561
	3949562
	4936940
	4943167
PS38801	3284623
	3928832
S40856	AR05100
	AR05130
	AR62258
S41082	3278723
S41314	AR04970
	AR12098
S41371	3803961
S41416	NA
S41517.020	3802042
	3806241
S41517.040	3802044
	3806242
S41517	3802040
S41677	3802258
	3802429
S41882	3631248
	3803472
	4089500
	4955975
	AR10680
S41885	4089793
	AR02860
	AR11930
S41887	3803358
	3804500
	4089489
S41888	3014149
	3016786
	3801043
	3801056
	3801065
	4089810
	AR03540
	AR05030
	AR05060
	AR05110
AR06680	
AR06711	
AR11671	

MAHLE	CUMMINS
S41888	AR51340
S41889	3801755
	3803471
	4089811
S41905.020	3802863
	3802917
	3806229
S41905.040	3802864
	3802918
	3806230
S41905	3802750
	3802831
	3802919
S41934	3803977
S42140.020	4934282
	4955480
S42140	3970518
	4955366
S42150	4089154
S42153	2881682
S42162	3800912
S42163	4089644
	3802422
S42170.020	3804979
	3806201
	4089181
	4089614
	3806203
S42170.040	3949580
	4089182
	4089419
	4089615
	3802421
S42170	3804947
	3947678
	3959079
	4089258
	4089460
S42188.020	4955251
	4955480
S42188	4955251
S42221.020	3802052
	3802232
	3802422
S42221.040	3802054
	3802234
	3802423
S42221	3802050
	3802056
	3802230

MAHLE	CUMMINS
S42221	3802421 3802746 3937393 3938177
S51307	AR73350
SH-1382S	200780 200790
SH-1394S	3031037 3278345
SH-1395S	3031037 3278345
SH-1404	3901306
SH-1529S	3801106
SH-1773S	2878168 3820566
SH-1773	2878168 3017325 3820566
SH-1981	3940059
SH-2136	36 805 80 4319031
SH-2137	36 805 81 4319032
SH-2138	3685690 3685890
SH-2165	3002834
SH-2183	3901685 3943199 3945329
SH-568S	BM27253
T27119	3935449
THD 1 82	146 077 146076 204 586 205566 3002742 301737 362 9204 362 9205
THD 1 86	3002964
TW-369S+10	145101 157281 3019219 3067568(.010) 43219S
TW-369S+5	3067568(.005)
TW-369S	157280 3019218 3067568 43219

MAHLE	CUMMINS
TW-448S	173640 553670
TW-449S	159960
TW-457S	3028107 3161653 3822062 4023203 4926019
TW-687S	6204218500
TW-691S	3680202
TW-703S	4023083 4023203 4926017 4926019
VS28794	187589 3017750
VS38793TC	149651 3009999 3016453 3020980 3044514 3054841
VS50215S	3902666 3930906
VS50316	3883220
VS50317	3935878
VS50320	3067953 3069687 3076284 3076292 4058981
VS50321	3066311
VS50416	3073966 3935449 3954324
VS50419	3955109 3963379
VS50420	3049187
VS50422	3027881 3035253 3039114 3883102 3892667 3896697 4070529
VS50424	3058532
VS50454	3034855
VS50543	3975641 4992982 5264950

MAHLE	CUMMINS
VS50577	3282133 3902466 3905449
VS50579	3068135 3069151 4920093
VS50625	4026507

DETROIT DIESEL	MAHLE
1815264C1	217-4077
1815674C1	226-4567
1817247C91	S41781
1817562C4	54189
1817867C92	67815
1822245C1	B45913
1822322C93	223-7211
1822389C91	CB-1659P
1822486C91	CB-1659P-10
1822487C91	CB-1659P-20
1823313C1	224-3350
1823875C3	211-4155
1823925C1	B45987
1824840C1	211-4154
1824966C92	226-1962
1824970C99	HS54189
1825436C1	MS19824
1825602C91	VS50517
1826587C1	OS32226
1830374C97	CS54511
1830720C94	HS54189
1874865C92	CS54511
2146734	247-5014
23421468	226-4583
23500480	B45737
23500501	211-2462
23500881	226-1739
23501572	HS54157
23501576	211-3345
23501577	211-3313
23501610	46844
23502020	226-4466
23502021	226-4466
23502022	226-4466
23502023	226-4464
23502024	226-4464
23502025	226-4464
23502067	211-2551
23502068	211-2552
23502165	247-5014
23502366	247-5044 247-5073
23502367	247-5043
23502367(.010)	247-5121
23502368	247-5043
23503042	098 TC 21102 100

DETROIT DIESEL	MAHLE
23503732	098 TC 24131 000
23503747	S41891
23503938	226-1738
23504728	S41410
23504732	247-5125
23504732(.010)	247-5125
23504966	098 TC 24130 000
23504967	098 TC 24130 000
23505278	226-4558
23505303#2	226-1633
23505304	226-1633
23505306	226-1633
23505306#2	226-1633
23505306#3	226-1633
23505307#3	226-1633
23505313	226-1946
23505729	S41892
23505992	OS32382
23506350	211-3313
23507504	211-3313
23507908	098 TC 24131 000
23508405	098 TC 24133 000
23508406	098 TC 24133 000
23508410	098 TC 24132 000
23508411	098 TC 24132 000
23511129	CB-1596P
23511133	CB-1596P-10
23511135	CB-1596P-20
23511625	226-1946
23511626	226-1946.001
23511627	226-1946.010
23511666	MS19666
23511870	GS33448
23512676	FS12197H
23512680	FS12197JT
23512681	FS12197K
23512688	FS12232A
23512689	FS12232B
23512690	FS12232C
23513578	67744
23514261	226-1739
23514285	226-4573
23514465	OS32382
23514608	47095
23514970	S40653

DETROIT DIESEL	MAHLE
23514971	S41659
23515581	CB-1792P
23515582	CB-1792P-.25MM
23515583	CB-1792P-.50MM
23515585	CB-1792P
23515586	CB-1792P
23515598	247-5236
23515599	247-5236
23515635	098 TC 24136 000
23515636	098 TC 24136 000
23515894	098 TC 24133 000
23516300	226-1946
23516301	226-1946.001
23516302	226-1946.010
23516322	VS50278
23516431	098 TC 24136 000
23516483	B45895
23516636	SS48005
23516861	224-2360
23516862	224-2360
23516863	224-2260
23516969	68006
23517623	FS12232A
23517624	FS12232B
23518355	67745
23518571	217-4076
23518588	098 TC 24137 000
23518597	098 TC 24137 000
23518695	098 TC 24133 000
23518986	226-1946
23518987	226-1946.001
23518988	226-1946.010
23519624	224-3800
23519625	226-2094
23519651	68007
23521167	098 TC 24133 000
23521649	223-1850
23521781	223-5511
23521802	224-3583
23521944	B45895
23522188	098 TC 25592 000
23522189	098 TC 25592 000
23522190	098 TC 25592 000 098 TC 25606 000
23522191	098 TC 25592 000
23522269	VS50404

DETROIT DIESEL	MAHLE	DETROIT DIESEL	MAHLE	DETROIT DIESEL	MAHLE
23522279	OS32382	23526682	098 TC 25592 000	23530668	224-3629
23522306	098 TC 25592 000	23526683	098 TC 25592 000	23530669	226-1992
23522312	098 TC 25592 000	23526684	098 TC 25592 000	23530727	224-3629
23522491	226-1945.010	23526685	098 TC 25592 000		224-3630
23522495	224-2360	23526692	098 TC 25592 000	23530766	224-3741X
23522497	224-2260	23526852	HS54157	23530767	224-3741
23522519	226-1946	23527065	CB-1836P-.25MM	23530768	GS33539
23522521	226-1946.001	23527066	CB-1836P-.50MM	23531249	226-4573
23522588	54157	23527225	247-5224	23531250	226-4583
23522781	098 TC 25592 000	23527774	224-3740X	23531252	S42133
23522872	223-1933	23527775	224-3740	23531502	226-4573
23522947	226-1946	23527965	247-5236	23531504	226-4583
23522951	226-1946.010	23528029	098 TC 24133 000	23532045	54157
23522953	226-1945	23528051	098 TC 21101 000	23532254	CB-1902P-.50MM
23522955	S41900	23528052	098 TC 25592 000	23532298	54157
23523040	098 TC 25592 000	23528053	098 TC 25592 000	23532332	FS54157
23523197	098 TC 24137 000	23528054	098 TC 25592 000	23532333	HS54157
23523478	098 TC 25592 000	23528055	098 TC 25592 000	23532361	226-4558
23523930	B45895 B45914	23528058	098 TC 25592 000	23532450	226-4558
23523948	226-4573	23528059	098 TC 25606 000	23532468	226-4558 226-4583
23523951	226-1933	23528060	098 TC 25592 000	23532554	226-1992
23524249	S41410	23528062	098 TC 25592 000	23532555	226-1933
23524339	226-1739	23528065	098 TC 21101 000	23532561	226-1990
23524341	226-1738	23528066	098 TC 25592 000	23532562	226-1992
23524349	S41410	23528067	098 TC 25592 000	23532590	226-2094
23524521	211-3313 211-3313	23528069	098 TC 25592 000	23532720	CS54157A FS54157
23524843	226-4583	23529629	211-3345	23532882	224-3628
23524857	CB-1902P	23529997	224-3743X	23532883	226-1991
23525168	223-1851	23530421	54157	23532884	224-3630
23525462	098 TC 25592 000	23530554	TW-696S	23532885	226-1993
23525463	098 TC 25592 000	23530555	TW-696S	23532926	MS-2313P
23525859	CB-1288P-20	23530595	224-3738X	23533250	MS-2310P-20
23525860	MS-1566P-20	23530596	224-3738	23533251	MS-2310P-10
23525861	MS-1566P-20	23530597	224-3739X	23533252	MS-2310P
23526016	098 TC 25592 000	23530598	224-3739	23533254	MS-2313P-20
23526017	098 TC 25592 000	23530599	224-3627 224-3628	23533255	MS-2313P-10
23526052	HS54157	23530601	224-3629 224-3630	23533257	MS-2310P-20
23526141	CB-1902P	23530660	224-3738	23533258	MS-2310P-10
23526142	CB-1836P	23530661	226-2043	23533259	MS-2310P
23526271	098 TC 25592 000	23530662	224-3739	23533261	MS-2313P-20
23526272	098 TC 25592 000	23530663	226-2044	23533262	MS-2313P-10
23526679	098 TC 25592 000	23530664	224-3740	23533263	MS-2313P
23526680	098 TC 25592 000	23530665	226-2045	23533452	226-2046
23526681	098 TC 25592 000	23530666	224-3627	23533453	224-3741

DETROIT DIESEL	MAHLE
23533510	S42132
23533565	CB-1902P-.25MM
23533566	CB-1902P-.50MM
23533567	CB-1902P-.25MM
23533568	CB-1902P-.50MM
23533688	TW-696S
23533983	MS19666
23535010	MS-2346P
23535280	MH-23535280
23535700	GS33633
23535741	CB-1902P
23535742	CB-1902P-.25MM
23535743	CB-1902P-.50MM
23535745	CB-1836P
23535746	CB-1836P-.25MM
23535747	CB-1836P-.50MM
23536442	HS54157
23536443	FS54157-A
23537111	GS33633
23537294	226-1993
23537307	223-1933
23537529	S42262
23537530	226-4632
23538406	54157
23538831	226-2099
23539049	223-1933
23539051	223-1976
23539104	OS32382
2585838C91	098 TC 24137 000
33528064	098 TC 25592 000
5100437	211-2439
5101101	218-7373
5101102	218-7373
5101166	223-7186
5101677	247-5009
5101677(.010)	247-5022
5102779	224-2485
5102780	224-2485
5102795	226-4464
5103264	247-5005
	247-5024
5103264(.010)	247-5005
	247-5114
5103763	CB-1265P
5104018	VS39862
5104019	VS39864

DETROIT DIESEL	MAHLE
5104081	VS39863
5104701	GS33448
5106136	211-2439
5106990	223-3634
5107176	226-4470
5107200	CB-555P
5111336	211-2462
5111424	SH-477W
5113953	226-4466
5114288	211-2462
5114335	46843
5115191	224-2485
5115454	47095
5116028	224-3282
5116048	CB-674P
5116120	217-4007
5116181	223-3634
5116187	CB-1265P
5116189	224-2486
5116197	MB-2522W
	TW-412S
5116224	46289
5116229	47905
5116257	OS31584
5116361	218-7817
5117005	MB-2523W
	MS-1385P
	MS-1385P-10
	MS-1385P-20
	MS-1385P-30
	MS-1386P-30
	TW-402S
5117011	MB-2687P
5117231	OS31790
5119457	VS38767
5119458	VS39855
5119898	218-7373
5121256	223-7140
5125642	OS31790
5129919	217-3946
5131961	217-4007
5132155	GS27706
5132803	226-4415
5133852	46843
5138000	224-2486
5138796	46289

DETROIT DIESEL	MAHLE
5140660	46843
5143405	VS39858
5143406	VS39859
5143407	VS39866
5143496	VS39859
5144188	247-5190
5146733	247-5023
5146733(.010)	247-5006
	247-5113
5147506	VS39855
5147994	VS38767
5148489	211-2439
5148490	218-7813
5148505	226-4467
5149042	211-2439
5149048	224-2272
5149224	S40653
5149225	S40653
	SC80061
5149226	S41659
5149230	S40653
5149233	S41659
5149234	224-2485
5149235	224-2485
5149239	226-1739
5149240	224-2272
5149241	S41410
5149255	S40653
5149256	226-1633
5149257	S40653
5149258	226-1633.010
5149262	226-1633
5149263	226-1633.010
5149265	226-1633.010
5149300	226-1946.010
5149314	S41449
5149359	S41449
5149452	CB-1265P
5149454	CB-1265P-10
5149455	CB-1265P-20
5149565	MB-2687P
	MS-1385P
	MS-1386P
5149565/5117005	MS-1386P
5149567	MB-2687P-10
	MS-1385P-10

DETROIT DIESEL	MAHLE	DETROIT DIESEL	MAHLE	DETROIT DIESEL	MAHLE
5149567	MS-1386P-10	5192922	46843	5196579	HS12232
5149568	MB-2687P-20 MS-1385P-20 MS-1386P-20	5192923	46843	5196685	MB-1931P-10 MS-506P-10
5149568/5117005	MS-1386P-20	5192924	HS12197A	5196686	MB-1931P-20 MS-506P-20
5149572	CB-555P	5193113	46843 HS12197A	5196708	HS12197A
5149575	CB-555P-10	5193114	46843 HS12197B	5196709	46843 HS12197A
5149577	CB-555P-20	5193115	46843	5196710	46843 HS12197B
5149579	CB-555P-30	5193116	HS12197A	5196711	46843 HS12197B
5149598	226-1738	5193117	HS12197B	5196785	47905 HS12232X
5149721	226-1477	5193125	SH-468	5196834	226-1478
5149728	OS30938	5193477	SC80061	5196851	SS48005
5149744	46843 HS12197A	5193733	226-4466.010	5196852	SS48005
5149745	46843 HS12197B	5194960	SC80061	5197025	226-1633
5149771	211-2439	5194968	211-2462	5197159	SS47870
5149942	S41154	5195167	211-2462	5197177	S40653 S41659
5149963	224-2272	5195413	SH-468	5197497	226-1633
5150106	CB-1596P	5195738	46843 HS12197B	5197858	HS12197B
5150116	OS31771	5195739	46843	5197860	SS47870
5150117	OS31977	5195741	HS12197B	5197866	224-2486
5150128	CB-1596P	5195742	HS12197H	5197920	224-2485
5150846	46843	5195927	MB-1931P MS-506P	5197933	S40653
5151318	CB-1596P	5195931	224-3282	5197944	SH-701S
5151528	CB-1596P	5195948	211-1863	5197975	CB-674P
5153560	46843	5196012	SH-699S	5197977	CB-674P-10
5154069	MB-2524W TW-411S	5196013	SH-700S	5198139	226-1477
5154791	46843	5196022	SH-468	5198188	226-1477
5157274	223-3462	5196026	SH-525	5198209	SH-699S
5157518	46843	5196094	SH-701S	5198274	S41659
5159353	MB-2524W TW-411S	5196373	46843 HS12197A	5198286	HS12197B
5166226	46843	5196374	46843 HS12197B	5198287	46843
5178989	46843	5196380	HS12197A	5198410	MB-2474P MS-885P
5186870	46843	5196381	HS12197B HS12197J	5198412	MB-2474P-10 MS-885P-10
5191931	46843	5196487	224-2485	5198413	MB-2474P-20 MS-885P-20
5191932	46843	5196533	OS31790	5198440	S40653
5192434	46843	5196575	47905 HS12232X	5198547	CB-1180P
5192874	MB-1276P MS-271P	5196576	47905 HS12232X	5198622	46843 HS12197B
5192876	MB-1276P-10 MS-271P-10	5196577	47905 HS12232	5198676	HS12197B
5192877	MB-1276P-20 MS-271P-20	5196578	HS12232X		
5192895	CB-1596P				

DETROIT DIESEL	MAHLE
5198822	S41154
5198839	224-2485
5198877	224-2486
5198899	226-1477
5198901	S41449
5198902	S41154
5198903	226-1478
5198904	226-1477
5198944	46843 HS12197A
5198945	46843
5198946	46843 HS12197B
5198984	SH-700S
5199116	226-1477
5199226	S41659
5199227	S41659
5199228	S41659
5199329	S40653
5199343	S41659
5199350	224-2260
5199504	226-1633
5199549	226-1633.010
5199551	226-1633.010
5199573	224-2360
5199696	247-5044
5199699	247-5043
5199790	47905 HS12232X
5199791	47905 HS12232X
5199792	47905 FS12232B
5199793	47905 HS12232X
5199806	S40653
5199811	HS12232X
5199812	HS12232
5199814	47905 HS12232X
5199822	226-1946
5199874	226-1633
5199880	S40653
5234699	GS33448
5234702	GS33448
680084	SS47537

DETROIT DIESEL	MAHLE
680117C3	SH-994S
690437C95	SS47537
8920077	SH-2181S
8920078	223-3579
8920081	CB-1288P
8920119	211-2552
8920160	C31542
8920200	47912
8920271	VS39363
8921106	S41410
8921209	B45767
8921301	47913
8921347	211-2551
8921438	3983
8921501	218-7817
8921502	218-7817
8921605	224-3501 225-3501
892160530	224-3501.030
8921655	HS3983
8921712	MS-1566P
8921714	CB-1288P CB-1288P-20
892171420	CB-1288P-20
892171430	CB-1288P-30
8921721	S41294 S41294.020
8921721(.020)	S41294.020
8921722	S41895 S41895.020
8921722(.020)	S41895.020
8921817	MS15523
8922022	3983
8922110	SH-2181S
8922118	MB-2687P-30 MS-1385P-30 MS-1386P-30
8922118/5117005	MS-1386P-30
8922118/5117005	MS-1386P-30
8922352	223-7186
8922452	224-3501.010
8922516	211-2462
8922786	OS32035
8922948	MS-1566P
8923215	3983
8923342	226-1739

DETROIT DIESEL	MAHLE
8923343	S41410
8923348	226-1738
8923493	3983
8923800	3983
8923804	226-1738
8923848	3983
8923919	S41294.020
8923920	S41895.020
8924106	S41410
8924108	226-1738
8924127	HS3983
8924357	MB-1897P MS-502P
8924359	MB-1897P-10 MS-502P-10
8924703	CB-1288P-10
8924704	MS-1566P-10
8924705	MS-1566P-10
8924813	C31542
8925818	224-3502 225-3502
892581830	224-3502.030
8926425	247-5192
8926675	VS50070
8926761	47913
8926762	46844
8926921	247-5042
8926922	247-5041
8926923	247-5028 247-5192
8926923(.010)	247-5116
8926924	247-5027
8926925(.010)	247-5118
8927189	223-7186
8927718	247-5118
8927719	247-5118
8927988	247-5073
8927993	247-5043 247-5073
8928946	SH-2181S
8929013	223-7207
8929072	B45914
8929085	TW-600S TW-700S
8929102	OS32204
8929126	218-8002

DETROIT DIESEL	MAHLE
8929127	218-8003
8929176	223-7207
8929238	247-5069
8929337	223-5512
8929344	OS32382
8929347	OS32382
8929435	098 TC 24131 000
8929442	226-4558
8929507	098 TC 24130 000
8929553	CB-1662P
8929554	CB-1662P
8929589	211-3345
8929590	211-3313
8929625	218-8003.010
8929628	218-8002.010
8929670	MB-3561P MS-2092P MS-2093P MS-2310P MS-2313P
8929671	MB-3561P-10 MS-2092P-10 MS-2093P-10 MS-2310P-10 MS-2313P-10
8929672	MB-3561P-20 MS-2092P-20 MS-2093P-20 MS-2310P-20 MS-2313P-20
8929680	MB-3562P MS-2092P MS-2093P
8929681	MB-3562P-10 MS-2092P-10 MS-2093P-10
8929682	MB-3562P-20 MS-2092P-20 MS-2093P-20
8929690	SH-1986
8929710	CB-1662P
8929711	CB-1662P-10
8929750	47913
8929796	098 TC 24131 000
8929797	098 TC 24130 000
8929863	VS50278
8929902	098 TC 24131 000
8929903	098 TC 24130 000

DETROIT DIESEL	MAHLE
8976761	47913
9156005	46843
9208384	46843
DX41985	46843
DXM12411	3983

MAHLE	DETROIT DIESEL
098 TC 21101 000	23528051
	23528065
098 TC 21102 100	23503042
098 TC 24130 000	23504966
	23504967
	8929507
	8929797
098 TC 24131 000	8929903
	23503732
	23507908
	8929435
098 TC 24132 000	8929796
	8929902
	23508410
098 TC 24133 000	23508411
	23508405
098 TC 24136 000	23508406
	23515894
	23518695
	23521167
	23528029
098 TC 24137 000	23515635
	23515636
	23516431
098 TC 25592 000	23518588
	23518597
	23523197
	2585838C91

MAHLE	DETROIT DIESEL
098 TC 25592 000	23528053
	23528054
	23528055
	23528058
	23528060
	23528062
	23528066
	23528067
	23528069
	33528064
	23522190
098 TC 25606 000	23528059
	5195948
211-1863	5100437
211-2439	5106136
	5148489
	5149042
	5149771
211-2462	23500501
	5111336
	5114288
	5194968
211-2551	5195167
	8922516
	23502067
211-2552	8921347
	23502068
211-3313	8920119
	23501577
	23506350
	23507504
	23524521
	23524521
	8929590
211-3345	23501576
	23529629
	8929589
211-4154	1824840C1
211-4155	1823875C3
217-3946	5129919
217-4007	5116120
	5131961
217-4076	23518571
217-4077	1815264C1
218-7373	5101101
	5101102
	5119898
218-7813	5148490
218-7817	5116361
	8921501
	8921502

MAHLE	DETROIT DIESEL
218-8002.010	8929628
218-8002	8929126
218-8003.010	8929625
218-8003	8929127
223-1850	23521649
223-1851	23525168
223-1933	23522872
223-1976	23537307
	23539049
223-3462	23539051
223-3579	5157274
223-3634	8920078
223-5511	5106990
	5116181
223-5512	23521781
223-7140	8929337
223-7186	5121256
	5101166
223-7207	8922352
	8927189
223-7211	8929013
	8929176
224-2260	1822322C93
224-2272	23516863
	23522497
	5199350
224-2360	5149048
	5149240
	5149963
224-2485	23516861
	23516862
	23522495
	5199573
224-2486	5102779
	5102780
	5115191
224-3282	5149234
	5149235
	5196487
224-3350	5197920
	5198839
	5116189
224-3501.010	5138000
	5197866
224-3501.010	5198877
	5116028
224-3501.010	5195931
	1823313C1
224-3501.010	8922452

MAHLE	DETROIT DIESEL
224-3501.030	892160530
224-3501	8921605
224-3502.030	892581830
224-3502	8925818
224-3583	23521802
224-3627	23530599 23530666
224-3628	23530599 23532882
224-3629	23530601 23530668 23530727
224-3630	23530601 23530727 23532884
224-3738X	23530595
224-3738	23530596 23530660
224-3739X	23530597
224-3739	23530598 23530662
224-3740X	23527774
224-3740	23527775 23530664
224-3741X	23530766
224-3741	23530767 23533453
224-3743X	23529997
224-3800	23519624
225-3501	8921605
225-3502	8925818
226-1477	5149721 5198139 5198188 5198899 5198904 5199116
226-1478	5196834 5198903
226-1633.010	5149258 5149263 5149265 5199549 5199551
226-1633	23505303#2 23505304 23505306 23505306#2 23505306#3

MAHLE	DETROIT DIESEL
226-1633	23505307#3 5149256 5149262 5197025 5197497 5199504 5199874
226-1738	23503938 23524341 5149598 8923348 8923804 8924108
226-1739	23500881 23514261 23524339 5149239 8923342
226-1933	23523951 23532555
226-1945.010	23522491
226-1945	23522953
226-1946.001	23511626 23516301 23518987 23522521
226-1946.010	23511627 23516302 23518988 23522951 5149300
226-1946	23505313 23511625 23516300 23518986 23522519 23522947 5199822
226-1962	1824966C92
226-1990	23532561
226-1991	23532883
226-1992	23530669 23532554 23532562
226-1993	23532885 23537294
226-2043	23530661
226-2044	23530663
226-2045	23530665
226-2046	23533452

MAHLE	DETROIT DIESEL
226-2094	23519625 23532590
226-2099	23538831
226-4415	5132803
226-4464	23502023 23502024 23502025 5102795
226-4466.010	5193733
226-4466	23502020 23502021 23502022 5113953
226-4467	5148505
226-4470	5107176
226-4558	23505278 23532361 23532450 23532468 8929442
226-4567	1815674C1
226-4573	23514285 23523948 23531249 23531502
226-4583	23421468 23524843 23531250 23531504 23532468
226-4632	23537530
247-5005	5103264 5103264(.010)
247-5006	5146733(.010)
247-5009	5101677
247-5014	2146734 23502165
247-5022	5101677(.010)
247-5023	5146733
247-5024	5103264
247-5027	8926924
247-5028	8926923
247-5041	8926922
247-5042	8926921
247-5043	23502367 23502368 5199699 8927993
247-5044	23502366

MAHLE	DETROIT DIESEL
247-5044	5199696
247-5069	8929238
247-5073	23502366 8927988 8927993
247-5113	5146733(.010)
247-5114	5103264(.010)
247-5116	8926923(.010)
247-5118	8926925(.010) 8927718 8927719
247-5121	23502367(.010)
247-5125	23504732 23504732(.010)
247-5190	5144188
247-5192	8926425 8926923
247-5224	23527225
247-5236	23515598 23515599 23527965
3983	8921438 8922022 8923215 8923493 8923800 8923848 DXM12411
46289	5116224 5138796
46843	5114335 5133852 5140660 5149744 5149745 5150846 5153560 5154791 5157518 5166226 5178989 5186870 5191931 5191932 5192434 5192922 5192923 5193113 5193114 5193115 5195738

MAHLE	DETROIT DIESEL
46843	5195739 5196373 5196374 5196709 5196710 5196711 5198287 5198622 5198944 5198945 5198946 9156005 9208384 DX41985
46844	23501610 8926762
47095	23514608 5115454
47905	5116229 5196575 5196576 5196577 5196785 5199790 5199791 5199792 5199793 5199814
47912	8920200
47913	8921301 8926761 8929750 8976761
54157	23522588 23530421 23532045 23532298 23538406
54189	1817562C4
67744	23513578
67745	23518355
67815	1817867C92
68006	23516969
68007	23519651
B45737	23500480
B45767	8921209
B45895	23516483 23521944 23523930
B45913	1822245C1
B45914	23523930

MAHLE	DETROIT DIESEL
B45914	8929072
B45987	1823925C1
C31542	8920160 8924813
CB-1180P	5198547
CB-1265P-10	5149454
CB-1265P-20	5149455
CB-1265P	5103763 5116187 5149452
CB-1288P-10	8924703
CB-1288P-20	23525859 8921714 892171420
CB-1288P-30	892171430
CB-1288P	8920081 8921714
CB-1596P-10	23511133
CB-1596P-20	23511135
CB-1596P	23511129 5150106 5150128 5151318 5151528 5192895
CB-1659P-10	1822486C91
CB-1659P-20	1822487C91
CB-1659P	1822389C91
CB-1662P-10	8929711
CB-1662P	8929553 8929554 8929710
CB-1792P-.25MM	23515582
CB-1792P-.50MM	23515583
CB-1792P	23515581 23515585 23515586
CB-1836P-.25MM	23527065 23535746
CB-1836P-.50MM	23527066 23535747
CB-1836P	23526142 23535745
CB-1902P-.25MM	23533565 23533567 23535742
CB-1902P-.50MM	23532254 23533566 23533568

MAHLE	DETROIT DIESEL
CB-1902P-.50MM	23535743
CB-1902P	23524857 23526141 23535741
CB-555P-10	5149575
CB-555P-20	5149577
CB-555P-30	5149579
CB-555P	5107200 5149572
CB-674P-10	5197977
CB-674P	5116048 5197975
CS54157A	23532720
CS54511	1830374C97 1874865C92
FS12197H	23512676
FS12197JT	23512680
FS12197K	23512681
FS12232A	23512688 23517623
FS12232B	23512689 23517624 5199792
FS12232C	23512690
FS54157-A	23536443
FS54157	23532332 23532720
GS27706	5132155
GS33448	23511870 5104701 5234699 5234702
GS33539	23530768
GS33633	23535700 23537111
HS12197A	5149744 5192924 5193113 5193116 5196373 5196380 5196708 5196709 5198944
HS12197B	5149745 5193114 5193117 5195738 5195741

MAHLE	DETROIT DIESEL
HS12197B	5196374 5196381 5196710 5196711 5197858 5198286 5198622 5198676 5198946
HS12197H	5195742
HS12197J	5196381
HS12232X	5196575 5196576 5196578 5196785 5199790 5199791 5199793 5199811 5199814
HS12232	5196577 5196579 5199812
HS3983	8921655 8924127
HS54157	23501572 23526052 23526852 23532333 23536442
HS54189	1824970C99 1830720C94
MB-1276P-10	5192876
MB-1276P-20	5192877
MB-1276P	5192874
MB-1897P-10	8924359
MB-1897P	8924357
MB-1931P-10	5196685
MB-1931P-20	5196686
MB-1931P	5195927
MB-2474P-10	5198412
MB-2474P-20	5198413
MB-2474P	5198410
MB-2522W	5116197
MB-2523W	5117005
MB-2524W	5154069 5159353
MB-2687P-10	5149567
MB-2687P-20	5149568

MAHLE	DETROIT DIESEL
MB-2687P-30	8922118
MB-2687P	5117011 5149565
MB-3561P-10	8929671
MB-3561P-20	8929672
MB-3561P	8929670
MB-3562P-10	8929681
MB-3562P-20	8929682
MB-3562P	8929680
MH-23535280	23535280
MS-1385P-10	5117005 5149567
MS-1385P-20	5117005 5149568
MS-1385P-30	5117005 8922118
MS-1385P	5117005 5149565
MS-1386P-10	5149567
MS-1386P-20	5149568 5149568/5117005
MS-1386P-30	5117005 8922118 8922118/5117005 8922118/5117005
MS-1386P	5149565 5149565/5117005
MS-1566P-10	8924704 8924705
MS-1566P-20	23525860 23525861
MS-1566P	8921712 8922948
MS-2092P-10	8929671 8929681
MS-2092P-20	8929672 8929682
MS-2092P	8929670 8929680
MS-2093P-10	8929671 8929681
MS-2093P-20	8929672 8929682
MS-2093P	8929670 8929680
MS-2310P-10	23533251 23533258 8929671
MS-2310P-20	23533250

MAHLE	DETROIT DIESEL
MS-2310P-20	23533257 8929672
MS-2310P	23533252 23533259 8929670
MS-2313P-10	23533255 23533262 8929671
MS-2313P-20	23533254 23533261 8929672
MS-2313P	23532926 23533263 8929670
MS-2346P	23535010
MS-271P-10	5192876
MS-271P-20	5192877
MS-271P	5192874
MS-502P-10	8924359
MS-502P	8924357
MS-506P-10	5196685
MS-506P-20	5196686
MS-506P	5195927
MS-885P-10	5198412
MS-885P-20	5198413
MS-885P	5198410
MS15523	8921817
MS19666	23511666 23533983
MS19824	1825436C1
OS30938	5149728
OS31584	5116257
OS31771	5150116
OS31790	5117231 5125642 5196533
OS31977	5150117
OS32035	8922786
OS32204	8929102
OS32226	1826587C1
OS32382	23505992 23514465 23522279 23539104 8929344 8929347
S40653	23514970 5149224 5149225

MAHLE	DETROIT DIESEL
S40653	5149230 5149255 5149257 5197177 5197933 5198440 5199329 5199806 5199880
S41154	5149942 5198822 5198902
S41294.020	8921721 8921721(.020) 8923919
S41294	8921721
S41410	23504728 23524249 23524349 5149241 8921106 8923343 8924106
S41449	5149314 5149359 5198901
S41659	23514971 5149226 5149233 5197177 5198274 5199226 5199227 5199228 5199343
S41781	1817247C91
S41891	23503747
S41892	23505729
S41895.020	8921722 8921722(.020) 8923920
S41895	8921722
S41900	23522955
S42132	23533510
S42133	23531252
S42262	23537529
SC80061	5149225 5193477 5194960
SH-1986	8929690

MAHLE	DETROIT DIESEL
SH-2181S	8920077 8922110 8928946
SH-468	5193125 5195413 5196022
SH-477W	5111424
SH-525	5196026
SH-699S	5196012 5198209
SH-700S	5196013 5198984
SH-701S	5196094 5197944
SH-994S	680117C3
SS47537	680084 690437C95
SS47870	5197159 5197860
SS48005	23516636 5196851 5196852
TW-402S	5117005
TW-411S	5154069 5159353
TW-412S	5116197
TW-600S	8929085
TW-696S	23530554 23530555 23533688
TW-700S	8929085
VS38767	5119457 5147994
VS39363	8920271
VS39855	5119458 5147506
VS39858	5143405
VS39859	5143406 5143496
VS39862	5104018
VS39863	5104081
VS39864	5104019
VS39866	5143407
VS50070	8926675
VS50278	23516322 8929863
VS50404	23522269
VS50517	1825602C91

MAHLE DETROIT DIESEL

VS50517

MACK	MAHLE
11BMT422	47095
126SB191	CS54831-2
126SB191A	CS54831-2
1547419	GS33689
182GC2223	223-1965
187GB138	223-3544
20515881	OS32430
20530916	MS-2338P
20539275	OC 370
20578624	MS-2338P-.25MM
20578625	MS-2338P-.50MM
20580558	CB-1963AP(6)
20706047	SH-2141S
20706103	226-4615
20706142	OS32408
20706245	SH-2141S
20711963	CB-1963AP-.25MM(6)
20711964	CB-1963AP-.50MM(6)
20740798	211-4307
20747511	S42231
20760235	226-4622
20768519	211-4308
207SB12	GS33650
20843764	OC 282
20864662	SS46065
20875672	KC 300
20875672	KC 300
20928630	226-2092
20972295	KC 300
20972295	KC 300
21041800	224-3859 224-3859X
21089679	CS54831-1
21105177	224-3858 224-3858X
21209650	226-2091
21267844	TW-717S
21293367	OS32430
21409435	HS54894
21412639	THD 3 82
215SB219E	226-2077
215SB220A	226-2078
215SB228	224-2258
215SB231A	224-3827

MACK	MAHLE
215SB232A	224-3814
215SB333	HS54831-3
215SB334A	HS54831-1
215SB337A	HS54831-2
215SB39P1	MS-954P
215SB39P2	MS-954P-10
215SB39P3	MS-954P-20
215SB40P1	CB-599P
215SB40P2	CB-599P-10
215SB40P3	CB-599P-20
215SB72BP1	MS-954P
215SB72BP2	MS-954P-10
215SB72BP3	MS-954P-20
215SB72CP1	MS-954P
215SB72CP2	MS-954P-10
215SB72CP3	MS-954P-20
215SB72CP4	MS-954P-30
215SB72DP1	MS-954P
215SB72DP2	MS-954P-10
215SB72DP3	MS-954P-20
215SB72DP4	MS-954P-30
215SB72P1	MS-954P
215SB72P2	MS-954P-10
215SB72P3	MS-954P-20
240GC5122M	224-3827
240GC556A	224-2258
240GC579	224-2258
240GC590	224-3816X
25633195	67946
26585-0603	49353
270950	223-7222
3093651	TW-717S
33164657862	193 TC 24652 000
344SB25A	72222
344SZ24A	72010
344SZ25A	72222
344SZ28A	72218
344SZ36A	72222
353GC1578B	S41316
353GC1581	S41316
353GC2133	S41678
353GC2139	S41316 S41418
353GC2142	S41678
353GC219	S41316
353GC240A-P1	S41316

MACK	MAHLE
353GC240B-P1	S41316
353GC240E-P1	S41316
353GC241D-P1	S41316
353GC241E-P1	S41316
353GC241F-P1	S41316
353GC241H-P1	S41316
353GC241J-P1	S41316
353GC242-P1	S41316
353GC253-P1	S41418
353GC269-P1	S41418
353GC269C-P1	S41316
353GC280B	S41316 S41418
41GC212	OS32408
446GC210	46773
446GC210A	46773
446GC2124	GS33649
446GC2125	GS33649
446GC238	46773
446GC238A	46773
446GC238B	46773
446GC296	SS45885
446GC310P12	67946
446GC310P2	67946
446GC328	SS45885
447GC171	GS27706
447GC216	GS27706
447GC216A	GS27706
456GC2156	247-5205
485GB3191A	OC 121
485GB3191A	OC 121
485GB3191B	OC 121
485GB3191B	OC 121
509GC463	226-4615
554GB321	VS50622
573GB257A	MS19846
573GB323	G32544
579GB41	OS21998
579GB41C	OS21998 OS32200
579GB41E	OS32200
579GB422	OS32408
57GC186A	48041
57GC2115A	CH54164CH
57GC2118B	HS54831-3
57GC2119	46773

MACK	MAHLE
57GC2119	CS54831-3
57GC2129	SH-1450S SH-2141S
57GC2132	SH-1450S
57GC2144	TW-582S
57GC2176	54831
57GC2178A	HS54831-1
57GC266	SH-993S
57GC267	SH-563S
57GC268	SH-676S
57GC279	TW-422S
57GC3133A	CS54831-1
57GC383P10	MS-1982P-10
57GC387	MS-1982P
57GC387AP10	MS-1982P-10
590GB2166	GS33649
590GB48	G32545
59GB1109C	SH-693S
59GB1122P1	SH-693S
59GB122B	SH-693S
59GB188CP1	SH-693S
601GB31C	VS50421
601GB31D	VS50421
62GB2337P1	CB-599P
62GB2337P10	CB-599P-10
62GB2337P20	CB-599P-20
62GB2382P1	CB-599P
62GB2382P10	CB-599P-10
62GB2382P20	CB-599P-20
62GB2382P30	CB-599P-30
62GB2393P1	CB-1379P
62GB2393P10	CB-1379P-10
62GB2393P20	CB-1379P-20
62GB2393P30	CB-1379P-30
62GB2396A	CB-1598P
62GB2396AP1	CB-1598P
62GB2396AP10	CB-1598P-10
62GB2396AP20	CB-1598P-20
62GB2396P20	CB-1598P-20
62GB33P1	CB-599P
62GBA1338P1	CB-599P
62GBA1338P10	CB-599P-10
62GBA1338P20	CB-599P-20
62GBA1342P1	CB-599P
62GBA1342P10	CB-599P-10
62GBA1342P20	CB-599P-20

MACK	MAHLE
62GBA1342P30	CB-599P-30
62GBA2382P1	CB-599P
62GBA2382P10	CB-599P-10
62GBA2382P20	CB-599P-20
631GC4101P12	193 TC 24652 000
631GC4101P14	193 TC 24652 000
631GC4101P17	193 TC 24652 000
631GC4101P18	193 TC 24652 000
631GC4101P20	193 TC 24652 000
631GC4101P22	193 TC 24652 000
631GC4101P25	193 TC 24652 000
631GC4101P8	193 TC 24652 000
631GC4101P9	193 TC 24652 000
631GC4104	193 TC 24652 000
631GC4111P27	193 TC 24652 000
631GC439	193 TC 24652 000
631GC463	193 TC 24651 000
631GC466A	193 TC 24652 000
631GC485A	193 TC 24656 000
631GC487P1	193 TC 24652 000
631GC487P2	193 TC 24652 000
631GC487P3	193 TC 24652 000
631GC5100P2	193 TC 24656 000
631GC5100P4	193 TC 24657 000
631GC5100P5	193 TC 24657 000
631GC5100P6	193 TC 24657 000
631GC5103	193 TC 24651 000
631GC5103P2	193 TC 24652 000
631GC5105P4	193 TC 24652 000
631GC5105P5	193 TC 24652 000
631GC5105P7	193 TC 24657 000
631GC5106P6	193 TC 24652 000
631GC5172AM5	193 TC 24277 000
631GC5172AM5X	193 TC 24277 000
631GC5172AM6	193 TC 24277 000
631GC5172AM6X	193 TC 24277 000
631GC5172M5	193 TC 24277 000
631GC5172M5X	193 TC 24277 000
631GC5172M6	193 TC 24277 000
631GC5172M6X	193 TC 24277 000
688GC2378	211-3174
690GC2210	211-3173
701GC11A	SH-566WS
714GB222P2	217-4091
714GC157	TW-422S

MACK	MAHLE
714GCA167P1	TW-422S
85134474	CS54831-3

MAHLE	MACK	MAHLE	MACK	MAHLE	MACK
193 TC 24277 000	631GC5172AM5 631GC5172AM5X 631GC5172AM6 631GC5172AM6X 631GC5172M5 631GC5172M5X 631GC5172M6 631GC5172M6X	224-3827	240GC5122M	CB-599P-10	62GBA2382P10
193 TC 24651 000	631GC463 631GC5103	224-3858X	21105177	CB-599P-20	215SB40P3 62GB2337P20 62GB2382P20 62GBA1338P20 62GBA1342P20 62GBA2382P20
193 TC 24652 000	33164657862 631GC4101P12 631GC4101P14 631GC4101P17 631GC4101P18 631GC4101P20 631GC4101P22 631GC4101P25 631GC4101P8 631GC4101P9 631GC4104 631GC4111P27 631GC439 631GC466A 631GC487P1 631GC487P2 631GC487P3 631GC5103P2 631GC5105P4 631GC5105P5 631GC5106P6	224-3859X	21041800	CB-599P-30	62GB2382P30 62GBA1342P30
193 TC 24656 000	631GC485A 631GC5100P2	226-2077	215SB219E	CB-599P	215SB40P1 62GB2337P1 62GB2382P1 62GB33P1 62GBA1338P1 62GBA1342P1 62GBA2382P1
193 TC 24657 000	631GC5100P4 631GC5100P5 631GC5100P6 631GC5105P7	226-2078	215SB220A	CH54164CH	57GC2115A
211-3173	690GC2210	226-2091	21209650	CS54831-1	21089679 57GC3133A
211-3174	688GC2378	226-2092	20928630	CS54831-2	126SB191 126SB191A
211-4307	20740798	226-2615	20706103 509GC463	CS54831-3	57GC2119 85134474
211-4308	20768519	226-4615	20760235	G32544	573GB323
217-4091	714GB222P2	226-4622	20760235	G32545	590GB48
223-1965	182GC2223	247-5205	456GC2156	GS27706	447GC171 447GC216 447GC216A
223-3544	187GB138	46773	446GC210 446GC210A 446GC238 446GC238A 446GC238B 57GC2119	GS33649	446GC2124 446GC2125 590GB2166
223-7222	270950	47095	11BMT422	GS33650	207SB12
224-2258	215SB228 240GC556A 240GC579	48041	57GC186A	GS33689	1547419
224-3814	215SB232A	49353	26585-0603	HS54831-1	215SB334A 57GC2178A
224-3816X	240GC590	54831	57GC2176	HS54831-2	215SB337A
224-3827	215SB231A	67946	25633195 446GC310P12 446GC310P2	HS54831-3	215SB333 57GC2118B
		72010	344SZ24A	HS54894	21409435
		72218	344SZ28A	KC 300	20875672 20875672 20972295 20972295
		72222	344SB25A 344SZ25A 344SZ36A	MS-1982P-10	57GC383P10 57GC387AP10
		CB-1379P-10	62GB2393P10	MS-1982P	57GC387
		CB-1379P-20	62GB2393P20	MS-2338P-.25MM	20578624
		CB-1379P-30	62GB2393P30	MS-2338P-.50MM	20578625
		CB-1379P	62GB2393P1	MS-2338P	20530916
		CB-1598P-10	62GB2396AP10	MS-954P-10	215SB39P2
		CB-1598P-20	62GB2396AP20 62GB2396P20		
		CB-1598P	62GB2396A 62GB2396AP1		
		CB-1963AP(6)	20580558		
		CB-1963AP-.25MM(6)	20711963		
		CB-1963AP-.50MM(6)	20711964		
		CB-599P-10	215SB40P2 62GB2337P10 62GB2382P10 62GBA1338P10 62GBA1342P10		

MAHLE	MACK	
MS-954P-10	215SB72BP2	
	215SB72CP2	
	215SB72DP2	
	215SB72P2	
MS-954P-20	215SB39P3	
	215SB72BP3	
	215SB72CP3	
	215SB72DP3	
	215SB72P3	
MS-954P-30	215SB72CP4	
	215SB72DP4	
MS-954P	215SB39P1	
	215SB72BP1	
	215SB72CP1	
	215SB72DP1	
	215SB72P1	
MS19846	573GB257A	
OC 121	485GB3191A	
	485GB3191A	
	485GB3191B	
	485GB3191B	
OC 282	20843764	
OC 370	20539275	
OS21998	579GB41	
	579GB41C	
OS32200	579GB41C	
	579GB41E	
OS32408	20706142	
	41GC212	
	579GB422	
OS32430	20515881	
	21293367	
S41316	353GC1578B	
	353GC1581	
	353GC2139	
	353GC219	
	353GC240A-P1	
	353GC240B-P1	
	353GC240E-P1	
	353GC241D-P1	
	353GC241E-P1	
	353GC241F-P1	
	353GC241H-P1	
	353GC241J-P1	
	353GC242-P1	
	353GC269C-P1	
	353GC280B	
	S41418	353GC2139
		353GC253-P1
353GC269-P1		
353GC280B		

MAHLE	MACK
S41678	353GC2133
	353GC2142
S42231	20747511
SH-1450S	57GC2129
	57GC2132
SH-2141S	20706047
	20706245
	57GC2129
SH-563S	57GC267
SH-566WS	701GC11A
SH-676S	57GC268
SH-693S	59GB1109C
	59GB1122P1
	59GB122B
	59GB188CP1
SH-993S	57GC266
SS45885	446GC296
	446GC328
SS46065	20864662
THD 3 82	21412639
TW-422S	57GC279
	714GC157
	714GCA167P1
TW-582S	57GC2144
TW-717S	21267844
	3093651
VS50421	601GB31C
	601GB31D
VS50622	554GB321

MAN	MAHLE
3371420R1	OX 69D
51 00900 6635	FS54839
51 06402 0034	TX 23 79D
51 06402 004	TX 23 79D
51 06402 0043	TX 23 79D
51 06402 0044	TX 23 79D
51 06402 0048	TX 23 83D
51 06402 0049	TX 23 79D
51 06402 0050	TX 23 79D
51 06402 0051	TX 23 79D
51 06402 0053	TX 23 79D
51 06402 0055	TX 23 83D
51 06402 0056	TX 23 79D
51 06402 0058	TX 23 83D
51 06402 0060	TX 23 83D
51 06402 0061	TX 23 79D
51 06402 0063	TX 23 83D
51 06402 0064	TX 23 79D
51 06402 0066	TX 23 83D
51 06402 0067	TX 23 79D
51 06402 0069	TX 23 79D
51.06401.0045	THD 1 82
51000000238	OX 69D
51005040044	OX 69D
51005040087	OX 69D
51055040031	OX 69D
51055040044	OX 69D
51055040046	OX 69D
51055040047	OX 69D
51055040066	OC 484
51055040067	OC 484
51055040069	OX 69D
51055040070	OX 69D
51055040071	OX 69D
51055040087	OX 69D
51055040090	OX 69D
51055040104	OX 69D
51125030012	KC 6
51125030015	KC 218
51125030025	KC 218
51125030027	KC 218
51125030043	KX 72D1
51125030047	KX 72D1
51125030050	KX 72D1
51125030053	KC 251

MAN	MAHLE
51125030062	KX 72D1
51125030071	KC 251
81000000238	OX 69D
81055040031	OX 69D
81055040039	OX 69D
81055040041	OX 69D
81064010061	TX 23 79D
81064010064	TX 23 79D
81064010067	TX 23 79D
81125030035	KC 6
81332150011	OC 121
86055006005	OC 42
86779030378	OC 42
86779400377	KC 28

MAHLE	MAN
FS54839	51 00900 6635
KC 218	51125030015
	51125030025
	51125030027
KC 251	51125030053
	51125030071
KC 28	86779400377
KC 6	51125030012
	81125030035
KX 72D1	51125030043
	51125030047
	51125030050
	51125030062
OC 121	81332150011
OC 42	86055006005
	86779030378
OC 484	51055040066
	51055040067
OX 69D	3371420R1
	51000000238
	51005040044
	51005040087
	51055040031
	51055040044
	51055040046
	51055040047
	51055040069
	51055040070
	51055040071
	51055040087
	51055040090
	51055040104
	81000000238
81055040031	
81055040039	
81055040041	
THD 1 82	51.06401.0045
TX 23 79D	51 06402 0034
	51 06402 004
	51 06402 0043
	51 06402 0044
	51 06402 0049
	51 06402 0050
	51 06402 0051
	51 06402 0053
	51 06402 0056
	51 06402 0061
	51 06402 0064
	51 06402 0067
	51 06402 0069
	81064010061
	81064010064

MAHLE	MAN
TX 23 79D	81064010067
TX 23 83D	51 06402 0048
	51 06402 0055
	51 06402 0058
	51 06402 0060
	51 06402 0063
	51 06402 0066

MERCEDES-BENZ	MAHLE
000 016 00 40	VS50618
	VS50621
000 016 04 21	VS50621
000 016 05 21	VS50618
000 053 35 58	SS46054
	SS46075
000 053 41 58	B45945A
000 053 46 58	B45976
	SS46066
000 053 51 58	SS46066
000 053 53 58	SS46074
000 053 56 58	B45976
000 053 58 58	SS46074
000 078 05 80	HS54816
000 203 70 75	TX 18 83D
0000900751	KX 72D1
0000901151	KX 49D
	KX 68D ECO
000090115167	KX 68D ECO
0000901251	KX 67/2D ECO
0000901351	KX 72D1
0000901451	KX 65D ECO
0000901551	KX 67/2D ECO
0000902051	KX 72D1
0000922705	KX 68D ECO
0000924105	KX 72D1
0000925405	KX 68D ECO
0001801609	OX 161D ECO
0001801709	OX 174D ECO
0001802109	OX 348D ECO
0001802909	OX 348D ECO
0001843825	OX 69D
0002035475	TX 23 79D
0004700192	KX 68D ECO
000925405	KX 49D
001 203 14 75	TX 23 79D
001 203 39 75	TX 18 71D
001 203 66 75	TX 23 79D
001 203 69 75	TX 18 83D
001 203 79 75	TX 18 83D
001 203 85 75	TX 18 71D
001 203 90 75	TX 18 79D
001 203 91 75	TX 18 87D
0010920301	KC 218
0011840125	OX 69D
0011840325	OX 69D

MERCEDES-BENZ	MAHLE
0011840625	OX 69D
0011842525	OX 69D
0011843825	OX 69D
002 203 02 75	TX 18 79D
002 203 04 75	TX 18 83D
002 203 05 75	TX 18 83D
002 203 16 75	TX 18 71D
002 203 28 75	TX 23 79D
002 203 31 75	TX 18 83D
002 203 32 75	TX 18 83D
002 203 35 75	TX 18 79D
002 203 37 75	TX 18 79D
002 203 38 75	TX 18 79D
002 203 40 75	TX 18 83D
002 203 45 75	TX 18 83D
002 203 46 75	TX 18 79D
002 203 47 75	TX 18 83D
002 203 49 75	TX 18 83D
002 203 53 75	TX 18 83D
002 203 54 75	TX 18 71D
002 203 56 75	TX 18 83D
002 203 59 75	TX 18 83D
002 203 72 75	TX 18 79D
002 203 74 75	TX 18 83D
002 203 76 75	TX 18 87D
002 203 76 76	TX 18 87D
002 203 78 75	TX 18 79D
002 203 79 75	TX 18 83D
002 203 81 75	TX 18 87D
002 203 90 75	TX 18 83D
002 203 91 75	TX 18 71D
002 203 96 75	TX 18 83D
002 203 97 75	TX 18 71D
002 203 99 75	TX 18 83D
0021847725	OX 69D
0022847725	OX 69D
003 030 97 24	42210
	S42210
003 203 14 75	TX 18 83D
003 203 28 75	TX 18 83D
003 203 29 75	TX 18 71D
003 203 31 75	TX 18 83D
003 203 32 75	TX 18 71D
003 203 35 75	TX 18 79D
003 203 47 75	TX 18 83D
003 203 48 75	TX 18 71D

MERCEDES-BENZ	MAHLE
003 203 68 75	TX 18 79D
003 203 69 75	TX 18 87D
003 203 70 75	TX 18 83D
003 203 73 75	TX 18 83D
003 203 74 75	TX 18 71D
003 203 78 75	TX 18 83D
003 203 79 75	TX 18 71D
003 203 91 75	TX 18 79D
003 203 92 75	TX 18 79D
003 989 98 20	HS54816
004 203 43 75	TX 23 79D
004 203 83 75	TX 18 83D
004 203 84 75	TX 18 71D
004 203 85 75	TX 18 79D
005 203 26 75	TX 18 83D
005 203 27 75	TX 18 79D
005 203 28 75	TX 18 71D
005 203 59 75	TX 18 83D
007603 012105	B32518
013 997 00 45	HS54816
013 997 14 47	67959
014 997 25 46	67974
014 997 26 46	67973
014 997 46 47	67960
014 997 64 45	HS54816
014 997 70 46	67769
016 997 82 48	HS54836
018 997 19 47	67769
019 997 36 48	OS32402
021 997 18 47	67769
021 997 53 47	67936
022 997 76 47	67937
023 997 82 48	HS54816
023 997 84 47	67769
025 997 39 47	67996
025 997 50 47	67936
	67998
025 997 84 48	223-7220
025 997 85 48	223-7220
100 200 05 15	TX 18 87D
100 200 07 15	TX 18 79D
100 200 08 15	TX 18 79D
100 200 87 15	TX 18 79D
102 001 81 5	TX 18 87D
102 200 02 15	TX 18 87D
102 200 03 15	TX 18 87D

MERCEDES-BENZ	MAHLE
102 200 08 15	TX 18 87D
102 200 09 15	TX 18 87D
102 200 14 15	TX 18 87D
102 200 15 15	TX 18 87D
102 200 19 15	TX 18 87D
110 200 0111	TX 18 87D
110 200 05 15	TX 18 87D
110 200 06 15	TX 18 87D
110 200 09 15	TX 18 83D
1121840225 O.D.	OX 153D3 ECO
115 200 06 15	TX 18 83D
115 200 07 15	TX 18 83D
219 492 00 80	HS54816
219 977 64 7	67769
219 977 64 7	67769
22031675	TX 18 71D
344 030 10 40	MS-2333P-.25MM
344 030 11 40	MS-2333P-.50MM
344 030 12 40	MS-2333P-.75MM
344 050 00 51	SH-2188S
346 017 01 60	HS54836
352 011 12 10	226-4609
352 011 16 10	226-4609
352 038 21 50	223-3727
3520964299	286 TC 31101 000
3524700092	KX 49D KX 68D ECO
3554700092	KX 65D ECO
362 011 03 10	226-4609
364 030 03 60	CB-1952P(6) CB-1952P-.50MM(6) CB-1952P-.75MM(6)
364 030 04 60	CB-1952P-.25MM(6)
364 030 05 60	CB-1952P-.50MM(6)
364 030 07 60	CB-1952P-.75MM(6)
364 030 10 17	224-3837
366 010 44 08	CS54836
366 010 61 20	HS54836
366 011 05 10	226-4609
366 011 06 10	226-4609
366 030 00 17	224-3836
366 030 00 24	3007KM S42159
366 030 00 40	MS-2333P MS-2333P-.25MM
366 030 00 40	MS-2333P

MERCEDES-BENZ	MAHLE
366 030 10 18	224-3837
366 030 14 18	224-3839
366 030 18 18	224-3839
366 030 26 17	224-3836
366 030 42 17	224-3836
366 030 68 17	224-3836
366 030 72 17	224-3839
366 030 73 17	224-3837
366 030 97 17	224-3839
366 037 02 01	224-3836
366 037 73 01	224-3837
366 037 97 01	224-3839
366 050 00 27	211-4300
366 050 02 26	211-4302
366 050 02 27	211-4306
366 050 03 26	211-4301
366 050 06 27	211-4299
366 050 12 26	211-4303
366 990 03 01	GS33646
373 203 70 75	TX 18 83D
376 030 00 24	3007KM S42159
376 030 02 24	3007KM S42159
376 030 03 24	3007KM S42159
376 038 70 50	223-3727
376 096 08 99	001 TC 31101 000
376 096 70 99	001 TC 31101 000
376 096 71 99	001 TC 31101 000
3900920001	KC 28
4021800009	OX 69D
403 031 07 27	67993
403 032 03 09	67994
403 142 03 80	MS19861
4031840025	OX 69D
422 016 04 20	54757
422 053 01 96	HS54757 SS46053
422 990 02 01	GS33662
422 990 03 01	GS33662
422 990 04 01	GS33662
4220900051	KX 65D ECO
422090005167	KX 65D ECO
4220920005	KX 65D ECO
4220920005 O.D.	KX 65D ECO

MERCEDES-BENZ	MAHLE
4221800210	OX 69D
442 011 00 59	223-7220
442 016 06 21	VS50633
442 016 07 21	VS50633
442 031 00 27	67993
444 010 01 20	HS54757
447 011 01 10	226-4607
447 011 02 10	226-4607
447 014 00 22	OS32413
447 030 00 40	MS-2345P MS-2345P-.25MM
447 030 02 40	MS-2345P-.25MM
457 010 01 05	CS54863
457 010 31 20	HS54885
457 010 82 20	HS54978
457 011 01 59	223-7221
457 011 02 59	223-7225
457 014 02 22	OS32450
457 014 05 22	OS32451
457 016 00 21	VS50634
457 016 01 21	VS50635
457 016 11 20	HS54742
457 030 03 40	MS-2332P
457 030 04 45	MS-2332P
457 030 06 60	CB-1901P
457 030 11 60	CB-1951P(6)
457 050 03 27	211-4318
457 050 05 27	211-4318
457 053 00 01	211-4313
457 141 00 80	MS19862
457 990 02 01	GS33663
457 990 05 01	GS33663
457 997 05 45	223-7221 223-7225
457 997 11 45	223-7225
4570900051	KX 80D ECO
4570900325	KX 67/2D ECO
4571840125	OX 348D ECO
460 010 05 05	CS54978
460 010 10 05	CS54978
460 010 12 20	HS54979
460 011 02 10	226-4627 226-4627X
460 011 13 10	226-4629 226-4629X
460 011 20 10	226-4629

MERCEDES-BENZ	MAHLE
460 011 20 10	226-4629X
460 016 00 21	VS50712
460 016 01 21	VS50712
460 016 04 20	54979
460 016 05 20	54978
460 030 00 40	MS-2332P
460 030 01 24	S42251
460 030 03 24	S42251
460 030 03 40	MS-2332P-.25MM
460 030 04 24	S42251
460 030 04 40	MS-2332P-.50MM
460 030 05 17	224-3867
460 030 07 60	CB-1970P
460 030 08 17	224-3868
460 030 10 17	224-3869
460 030 13 17	224-3869
460 030 13 37	226-2096
460 030 22 37	226-2095
460 030 32 37	226-2095
460 030 33 37	226-2096
460 030 34 37	226-2097
460 030 35 37	226-2097
460 037 04 01	224-3867
460 037 05 01	224-3868
460 037 06 01	224-3869
460 053 00 01	211-4317
460 140 00 09	MS19915
460 140 01 09	MS19914
460 140 02 09	MS19914
460 140 07 14	MS19915
460 142 21 80	MS19913
460 997 01 45	223-7225
476 038 00 50	223-3683
476 050 00 51	SH-2131S
5117 399AA	211-4262
5117 402AA	211-4263
541 038 00 50	223-3684
541 050 02 26	211-4313
541 050 02 27	211-4314
541 053 01 01	211-4317
541 142 04 80	MS19864
5410900051	KX 80D ECO
5410900151	KX 80D ECO
5410900852	KX 80D ECO
5410920305	KX 80D ECO

MERCEDES-BENZ	MAHLE
5410920405	KX 80D ECO
5410920505	KX 80D ECO
5410920605	KX 80D ECO
5410920805	KX 80D ECO
5410920905	KX 80D ECO
542 030 19 60	CB-1970P-.25MM
601 030 00 62	TW-620S
602 030 20 40	MS-2248P MS-2331P
602 030 21 40	MS-2248P-.25MM MS-2331P-.25MM
602 030 22 40	MS-2248P-.50MM MS-2331P-.50MM
602 203 35 75	TX 18 79D
606 997 01 45	HS54816
611 010 01 14	JV1680
611 010 02 14	JV1680
611 010 06 05	CS54779
611 014 02 22	OS32377
611 015 01 80	T31767
611 016 02 21	HS54429 VS50377 VS50574
611 016 11 20	54779
611 030 00 24	41932 42209
611 030 00 60	CB-1842P
611 030 01 60	CB-1842P-.25MM(4) CB-1842P-.25MM CB-1842P-.25MM(5)
611 030 02 60	CB-1842P-.50MM(4) CB-1842P-.50MM CB-1842P-.50MM(5)
611 030 10 17	224-3585WR
611 030 12 17	224-3366WR
611 030 14 17	224-3366WR
611 037 11 01	224-3364WR
611 038 00 50	223-3665
611 098 03 80	MS19746
611 142 07 80	MS19744
611 201 02 80	K31768
611 203 03 80	C31769
611 990 13 22	GS33422 GS33422B
6110900852	KL 100/2
6110920201	KL 100/2
6110920601	KL 100/2

MERCEDES-BENZ	MAHLE
6111800009	OX 153D3 ECO
612 010 14 05	CS54429
612 010 18 20	HS54429
612 014 01 22	OS32263
612 030 00 60	CB-1842P CB-1842P(4) CB-1842P(5)
612 030 01 60	CB-1842P-.25MM(4) CB-1842P-.25MM CB-1842P-.25MM(5)
612 030 02 60	CB-1842P-.50MM(4) CB-1842P-.50MM CB-1842P-.50MM(5)
612 030 04 17	224-3366WR
612 050 00 58	B45945 B45945A HS54429
612 141 01 80	MS19270
612 142 03 80	MS19271
6120920001	KL 195
6120960399	001 TC 15049 000
616 200 02 15	TX 18 79D
628 053 00 01	211-4262
628 053 00 05	211-4263
642 016 02 80	HS54816
642 016 18 20	54816
642 016 21 20	HS54816
642 016 21 20	54817
642 016 22 20	HS54816
642 016 22 20	54816
642 016 51 20	54816
642 016 52 20	54817
642 078 00 80	HS54816
642 098 01 80	HS54816
642 098 02 80	HS54816
642 098 07 80	HS54816
642 141 00 80	HS54816
642 141 05 80	HS54816
642 141 05 80	MS19834
642 141 06 80	HS54816
642 142 00 80	HS54816
642 142 00 80	MS19833
642 142 05 80	HS54816
642 142 07 81	HS54816
642 142 11 80	HS54816
642 142 12 80	HS54816
642 142 13 80	HS54816

MERCEDES-BENZ	MAHLE
642 142 18 80	HS54816
642 143 13 80	HS54816
6420900152	KL 228/2D
6420900452	KL 228/2D
6420900552	KL 228/2D
6420901652	KL 723D
6420902252	KL 490/1D
6420902352	KL 490/1D
6420920101	KL 228/2D
6420920201	KL 723D
6420920401	KL 490/1D
6420920501	KL 228/2D
6420920701	KL 228/2D
6421800009	OX 380D ECO
6421800010	OX 380D ECO
6421840025	OX 380D ECO
646 014 03 22	OS32377
646 016 05 20	54779
646 016 12 21	VS50574
646 030 03 24	41932 42209
646 030 10 17	224-3585WR
6460900252	KL 228/2D
6460900852	KL 228/2D
6460920001	KL 313
6460920201	KL 228/2D
6460920301	KL 313
6460920501	KL 313
6460920601	KL 228/2D
6460920701	KL 228/2D
647 016 01 21	HS54429 VS50377
647 016 06 20	54429
647 030 01 17	224-3585WR
6470900280	001 TC 21102 000
651 014 00 80	OS32433
651 016 00 21	VS50665
651 016 02 20	54895
651 016 04 20	54895
651 016 04 69	GS33694
651 096 01 80	F32602
651 096 04 80	F32602
651 142 05 80	MS19889
674 025 2406	OX 153D3 ECO
83 129 996 050	TX 18 83D
83120880150	KX 67/2D ECO

MERCEDES-BENZ	MAHLE
904 010 45 21	HS54837
904 010 80 20	HS54837
904 014 07 22	OS32406
904 014 09 22	OS32402
904 014 10 22	OS32402
904 016 06 21	VS50617
904 016 10 20	54837 FS54837
904 016 13 20	54837
904 030 00 24	42210 S42210
904 030 00 40	MS-2282P MS-2283P
904 030 00 60	CB-1888P(4) CB-1895P(4) CB-1895P(6)
904 030 01 40	MS-2282P-.25MM MS-2283P-.25MM
904 030 01 60	CB-1888P-.25MM(4) CB-1895P-.25MM(4) CB-1895P-.25MM(6)
904 030 02 40	MS-2282P-.50MM MS-2283P-.50MM
904 030 02 60	CB-1888P-.50MM(4) CB-1895P-.50MM(4) CB-1895P-.50MM(6)
904 030 13 40	MS-2282P MS-2283P
904 030 15 40	MS-2282P-.25MM MS-2283P-.25MM
904 030 16 40	MS-2282P-.50MM MS-2283P-.50MM
904 030 3160	CB-1888P(4) CB-1888P-.25MM(4) CB-1888P-.50MM(4)
904 030 43 60	CB-1888P(4) CB-1895P(4) CB-1895P(6)
904 030 45 60	CB-1888P-.25MM(4) CB-1895P-.25MM(4) CB-1895P-.25MM(6)
904 030 46 60	CB-1888P-.50MM(4) CB-1895P-.50MM(4) CB-1895P-.50MM(6)
904 050 01 51	SH-2182S
904 096 90 99	001 TC 21101 000
904 141 02 80	FS54837 FS54838
904 997 02 82	TURBODRAIN1

MERCEDES-BENZ	MAHLE
904 997 02 82	TURBODRAIN1
9040968899	001 TC 21101 000
9041800009	OX 161D ECO
9041800210	OX 161D ECO
9041800310	OX 161D ECO
9041840066	OX 161D ECO
906 010 04 21	HS54838
906 010 09 06	CS54837
906 010 14 05	CS54837 FS54837
906 010 15 05	FS54838
906 010 92 21	HS54838
906 011 01 10	226-4606
906 014 04 22	OS32401
906 014 05 22	OS32407
906 014 07 22	OS32401
906 014 09 22	OS32401
906 016 00 80	VS50617 VS50619
906 016 06 21	VS50619
906 016 07 69	GS33647 GS33648
906 016 11 20	54838 FS54838
906 016 12 20	54838
906 016 14 20	54838
906 030 00 60	CB-1888P(6)
906 030 01 24	42210 S42210
906 030 02 60	CB-1888P-.25MM(6)
906 030 03 60	CB-1888P-.25MM(6)
906 030 07 60	CB-1888P(4) CB-1888P(6) CB-1895P(4) CB-1895P(6)
906 030 09 60	CB-1888P-.25MM(4) CB-1895P-.25MM(4) CB-1895P-.25MM(6)
906 030 10 60	CB-1888P-.50MM(4) CB-1888P-.50MM(6) CB-1895P-.50MM(4) CB-1895P-.50MM(6)
906 030 14 60	CB-1888P(6)
906 030 15 60	CB-1888P-.25MM(6)
906 030 16 60	CB-1888P-.25MM(6)
906 030 23 18	224-3828WR
906 030 31 18	224-3828WR-030M M

MERCEDES-BENZ	MAHLE
906 030 3160	CB-1888P(6) CB-1888P-.25MM(6) CB-1888P-.50MM(6)
906 030 32 17	224-3841
906 030 32 18	224-3828WR-060M M
906 030 32 60	CB-1888P(6)
906 030 33 18	224-3828WR-090M M
906 030 33 60	CB-1888P-.25MM(6)
906 030 34 60	CB-1888P-.25MM(6)
906 030 36 17	224-3841
906 030 38 60	CB-1888P(6)
906 030 39 60	CB-1888P-.25MM(6)
906 030 40 17	224-3842
906 030 40 60	CB-1888P-.25MM(6)
906 030 48 60	CB-1888P(6)
906 030 49 60	CB-1888P-.25MM(6)
906 030 50 60	CB-1888P-.25MM(6)
906 030 60 17	224-3842
906 033 05 62	TW-705S
906 033 09 62	TW-705S
906 038 01 50	223-3685 223-3686
906 038 06 50	223-3685 223-3686
906 038 15 11	CB-1888P(6)
906 038 19 10	CB-1888P(6)
906 050 03 26	211-4305
906 050 03 27	211-4304
906 051 03 50	SH-2182S SH-2184S
906 051 05 50	SH-2182S SH-2184S
906 053 01 58	SS46045 SS46058 SS46060
906 053 03 58	B45984 SS46059 SS46061
906 053 04 58	B45984 SS46059 SS46061
906 141 01 80	FS54837 FS54838
906 142 02 80	FS54837 FS54838
906 142 11 80	MS19752

MERCEDES-BENZ	MAHLE
9060300224	42210 S42210
9060900051	KX 67/2D ECO
9060920105	KX 67/2D ECO
9060920205	KX 67/2D ECO
9060920305	KX 67/2D ECO
9060920505	KX 67/2D ECO
9060960999	001 TC 31102 000
9060962799	001 TC 31102 000
9060962899	001 TC 31102 000
9060964699	001 TC 31102 000
9060965199	001 TC 31102 000
9060965399	001 TC 31102 000
9061800009	OX 174D ECO
9061800109	OX 161D ECO
9061800209	OX 174D ECO
9061800810	OX 174D ECO
924 010 03 20	HS54744
924 010 26 20	HS54744
924 016 07 20	54744
924 016 11 20	54744
9240961799	001 TC 31103 000
926 010 03 20	HS54743
926 010 46 20	HS54743
926 016 08 20	54743
926 016 12 20	54743
926 030 00 40	MS-2282P MS-2283P
926 030 00 60	CB-1888P(4) CB-1888P(6) CB-1895P(4) CB-1895P(6)
926 030 02 40	MS-2282P-.25MM MS-2283P-.25MM
926 030 02 60	CB-1888P-.25MM(4) CB-1888P-.25MM(6) CB-1895P-.25MM(4) CB-1895P-.25MM(6)
926 030 03 40	MS-2282P-.50MM MS-2283P-.50MM
926 030 03 60	CB-1888P(6)
926 030 04 60	CB-1888P-.25MM(6)
926 030 05 60	CB-1888P-.25MM(6)
926 030 07 40	MS-2282P MS-2283P
926 030 08 24	S42127
926 030 09 40	MS-2282P-.25MM

MERCEDES-BENZ	MAHLE
926 030 09 40	MS-2283P-.25MM
926 030 10 40	MS-2282P-.50MM MS-2283P-.50MM
926 030 13 60	CB-1888P-.50MM(4) CB-1888P-.50MM(6) CB-1895P-.50MM(4) CB-1895P-.50MM(6)
926 037 26 01	224-3710
926 142 00 80	MS19752
A 001 092 03 01	KC 218
A 112 184 0525	OX 153D3 ECO
A0001801609	OX 161D ECO
A0001801709	OX 174D ECO
A0001802109	OX 348D ECO
A0001802909	OX 348D ECO
A1121840025	OX 153D3 ECO
A457 030 06 60	CB-1901P
A4571840125	OX 348D ECO
A5410900151	KX 80D ECO
A5410920805	KX 80D ECO
A611 030 10 17	224-3585WR
A611 030 13 17	224-3585WR
A6111800009	OX 153D3 ECO
A6120920001	KL 195
A6120960399	001 TC 15049 000
A6420901652	KL 723D
A6420920201	KL 723D
A6420920701	KL 228/2D
A6421800009	OX 380D ECO
A6421840025	OX 380D ECO
A646 030 01 17	224-3585WR
A646 030 09 17	224-3585WR
A646 030 10 17	224-3585WR
A9040968899	001 TC 21101 000
A9060300460	CB-1888P-.50MM(6)
A9060301760	CB-1888P-.50MM(6)
A9060303560	CB-1888P-.50MM(6)
A9060304160	CB-1888P-.50MM(6)
A9060330562	TW-705S
A9060967699	001 TC 31102 000
A9061800109	OX 161D ECO
A9061800209	OX 174D ECO
N 007603 012102	B32518
RA 904 096 88 99	001 TC 21101 000

MAHLE	MERCEDES-BENZ
001 TC 15049 000	6120960399 A6120960399
001 TC 21101 000	904 096 90 99 9040968899 A9040968899 RA 904 096 88 99
001 TC 21102 000	6470900280
001 TC 31101 000	376 096 08 99 376 096 70 99 376 096 71 99
001 TC 31102 000	9060960999 9060962799 9060962899 9060964699 9060965199 9060965399 A9060967699
001 TC 31103 000	9240961799
211-4262	5117 399AA 628 053 00 01
211-4263	5117 402AA 628 053 00 05
211-4299	366 050 06 27
211-4300	366 050 00 27
211-4301	366 050 03 26
211-4302	366 050 02 26
211-4303	366 050 12 26
211-4304	906 050 03 27
211-4305	906 050 03 26
211-4306	366 050 02 27
211-4313	457 053 00 01 541 050 02 26
211-4314	541 050 02 27
211-4317	460 053 00 01 541 053 01 01
211-4318	457 050 03 27 457 050 05 27
223-3665	611 038 00 50
223-3683	476 038 00 50
223-3684	541 038 00 50
223-3685	906 038 01 50 906 038 06 50
223-3686	906 038 01 50 906 038 06 50
223-3727	352 038 21 50 376 038 70 50
223-7220	025 997 84 48 025 997 85 48 442 011 00 59

MAHLE	MERCEDES-BENZ
223-7221	457 011 01 59 457 997 05 45
223-7225	457 011 02 59 457 997 05 45 457 997 11 45 460 997 01 45
224-3364WR	611 037 11 01
224-3366WR	611 030 12 17 611 030 14 17 612 030 04 17
224-3585WR	611 030 10 17 646 030 10 17 647 030 01 17 A611 030 10 17 A611 030 13 17 A646 030 01 17 A646 030 09 17 A646 030 10 17
224-3710	926 037 26 01
224-3828WR-030M	906 030 31 18
224-3828WR-060M	906 030 32 18
224-3828WR-090M	906 030 33 18
224-3828WR	906 030 23 18
224-3836	366 030 00 17 366 030 26 17 366 030 42 17 366 030 68 17 366 037 02 01
224-3837	364 030 10 17 366 030 10 18 366 030 73 17 366 037 73 01
224-3839	366 030 14 18 366 030 18 18 366 030 72 17 366 030 97 17 366 037 97 01
224-3841	906 030 32 17 906 030 36 17
224-3842	906 030 40 17 906 030 60 17
224-3867	460 030 05 17 460 037 04 01
224-3868	460 030 08 17 460 037 05 01
224-3869	460 030 10 17 460 030 13 17 460 037 06 01

MAHLE	MERCEDES-BENZ
226-2095	460 030 22 37 460 030 32 37
226-2096	460 030 13 37 460 030 33 37
226-2097	460 030 34 37 460 030 35 37
226-4606	906 011 01 10
226-4607	447 011 01 10 447 011 02 10
226-4609	352 011 12 10 352 011 16 10 362 011 03 10 366 011 05 10 366 011 06 10
226-4627X	460 011 02 10
226-4627	460 011 02 10
226-4629X	460 011 13 10 460 011 20 10
226-4629	460 011 13 10 460 011 20 10
286 TC 31101 000	3520964299
3007KM	366 030 00 24 376 030 00 24 376 030 02 24 376 030 03 24
41932	611 030 00 24 646 030 03 24
42209	611 030 00 24 646 030 03 24
42210	003 030 97 24 904 030 00 24 906 030 01 24 9060300224
54429	647 016 06 20
54743	926 016 08 20 926 016 12 20
54744	924 016 07 20 924 016 11 20
54757	422 016 04 20
54779	611 016 11 20 646 016 05 20
54816	642 016 18 20 642 016 22 20 642 016 51 20
54817	642 016 21 20 642 016 52 20
54837	904 016 10 20 904 016 13 20
54838	906 016 11 20 906 016 12 20

MAHLE	MERCEDES-BENZ
54838	906 016 14 20
54895	651 016 02 20 651 016 04 20
54978	460 016 05 20
54979	460 016 04 20
67769	014 997 70 46 018 997 19 47 021 997 18 47 023 997 84 47 219 977 64 7 219 977 64 7
67936	021 997 53 47 025 997 50 47
67937	022 997 76 47
67959	013 997 14 47
67960	014 997 46 47
67973	014 997 26 46
67974	014 997 25 46
67993	403 031 07 27 442 031 00 27
67994	403 032 03 09
67996	025 997 39 47
67998	025 997 50 47
B32518	007603 012105 N 007603 012102
B45945A	000 053 41 58 612 050 00 58
B45945	612 050 00 58
B45976	000 053 46 58 000 053 56 58
B45984	906 053 03 58 906 053 04 58
C31769	611 203 03 80
CB-1842P(4)	612 030 00 60
CB-1842P(5)	612 030 00 60
CB-1842P-.25MM(4)	611 030 01 60 612 030 01 60
CB-1842P-.25MM(5)	611 030 01 60 612 030 01 60
CB-1842P-.25MM	611 030 01 60 612 030 01 60
CB-1842P-.50MM(4)	611 030 02 60 612 030 02 60
CB-1842P-.50MM(5)	611 030 02 60 612 030 02 60
CB-1842P-.50MM	611 030 02 60 612 030 02 60
CB-1842P	611 030 00 60

MAHLE	MERCEDES-BENZ
CB-1842P	612 030 00 60
CB-1888P(4)	904 030 00 60 904 030 3160 904 030 43 60 906 030 07 60 926 030 00 60
CB-1888P(6)	906 030 00 60 906 030 07 60 906 030 14 60 906 030 3160 906 030 32 60 906 030 38 60 906 030 48 60 906 038 15 11 906 038 19 10 926 030 00 60 926 030 03 60
CB-1888P-.25MM(4)	904 030 01 60 904 030 3160 904 030 45 60 906 030 09 60 926 030 02 60
CB-1888P-.25MM(6)	906 030 02 60 906 030 03 60 906 030 15 60 906 030 16 60 906 030 3160 906 030 33 60 906 030 34 60 906 030 39 60 906 030 40 60 906 030 49 60 906 030 50 60 926 030 02 60 926 030 04 60 926 030 05 60
CB-1888P-.50MM(4)	904 030 02 60 904 030 3160 904 030 46 60 906 030 10 60 926 030 13 60
CB-1888P-.50MM(6)	906 030 10 60 906 030 3160 926 030 13 60 A9060300460 A9060301760 A9060303560 A9060304160
CB-1895P(4)	904 030 00 60 904 030 43 60 906 030 07 60 926 030 00 60

MAHLE	MERCEDES-BENZ
CB-1895P(6)	904 030 00 60 904 030 43 60 906 030 07 60 926 030 00 60
CB-1895P-.25MM(4)	904 030 01 60 904 030 45 60 906 030 09 60 926 030 02 60
CB-1895P-.25MM(6)	904 030 01 60 904 030 45 60 906 030 09 60 926 030 02 60
CB-1895P-.50MM(4)	904 030 02 60 904 030 46 60 906 030 10 60 926 030 13 60
CB-1895P-.50MM(6)	904 030 02 60 904 030 46 60 906 030 10 60 926 030 13 60
CB-1901P	457 030 06 60 A457 030 06 60
CB-1951P(6)	457 030 11 60
CB-1952P(6)	364 030 03 60
CB-1952P-.25MM(6)	364 030 04 60
CB-1952P-.50MM(6)	364 030 03 60 364 030 05 60
CB-1952P-.75MM(6)	364 030 03 60 364 030 07 60
CB-1970P-.25MM	542 030 19 60
CB-1970P	460 030 07 60
CS54429	612 010 14 05
CS54779	611 010 06 05
CS54836	366 010 44 08
CS54837	906 010 09 06 906 010 14 05
CS54863	457 010 01 05
CS54978	460 010 05 05 460 010 10 05
F32602	651 096 01 80 651 096 04 80
FS54837	904 016 10 20 904 141 02 80 906 010 14 05 906 141 01 80 906 142 02 80
FS54838	904 141 02 80 906 010 15 05 906 016 11 20 906 141 01 80

MAHLE	MERCEDES-BENZ
FS54838	906 142 02 80
GS33422B	611 990 13 22
GS33422	611 990 13 22
GS33646	366 990 03 01
GS33647	906 016 07 69
GS33648	906 016 07 69
GS33662	422 990 02 01 422 990 03 01 422 990 04 01
GS33663	457 990 02 01 457 990 05 01
GS33694	651 016 04 69
HS54429	611 016 02 21 612 010 18 20 612 050 00 58 647 016 01 21
HS54742	457 016 11 20
HS54743	926 010 03 20 926 010 46 20
HS54744	924 010 03 20 924 010 26 20
HS54757	422 053 01 96 444 010 01 20
HS54816	000 078 05 80 003 989 98 20 013 997 00 45 014 997 64 45 023 997 82 48 219 492 00 80 606 997 01 45 642 016 02 80 642 016 21 20 642 016 22 20 642 078 00 80 642 098 01 80 642 098 02 80 642 098 07 80 642 141 00 80 642 141 05 80 642 141 06 80 642 142 00 80 642 142 05 80 642 142 07 81 642 142 11 80 642 142 12 80 642 142 13 80 642 142 18 80 642 143 13 80
HS54836	016 997 82 48 346 017 01 60 366 010 61 20

MAHLE	MERCEDES-BENZ
HS54837	904 010 45 21 904 010 80 20
HS54838	906 010 04 21 906 010 92 21
HS54885	457 010 31 20
HS54978	457 010 82 20
HS54979	460 010 12 20
JV1680	611 010 01 14 611 010 02 14
K31768	611 201 02 80
KC 218	0010920301 A 001 092 03 01
KC 28	3900920001
KL 100/2	6110900852 6110920201 6110920601
KL 195	6120920001 A6120920001
KL 228/2D	6420900152 6420900452 6420900552 6420920101 6420920501 6420920701 6460900252 6460900852 6460920201 6460920601 6460920701 A6420920701
KL 313	6460920001 6460920301 6460920501
KL 490/1D	6420902252 6420902352 6420920401
KL 723D	6420901652 6420920201 A6420901652 A6420920201
KX 49D	0000901151 000925405 3524700092
KX 65D ECO	0000901451 3554700092 4220900051 422090005167 4220920005 4220920005 O.D.
KX 67/2D ECO	0000901251 0000901551

MAHLE	MERCEDES-BENZ
KX 67/2D ECO	4570900325 83120880150 9060900051 9060920105 9060920205 9060920305 9060920505
KX 68D ECO	0000901151 000090115167 0000922705 0000925405 0004700192 3524700092
KX 72D1	0000900751 0000901351 0000902051 0000924105
KX 80D ECO	4570900051 5410900051 5410900151 5410900852 5410920305 5410920405 5410920505 5410920605 5410920805 5410920905 A5410900151 A5410920805
MS-2248P-.25MM	602 030 21 40
MS-2248P-.50MM	602 030 22 40
MS-2248P	602 030 20 40
MS-2282P-.25MM	904 030 01 40 904 030 15 40 926 030 02 40 926 030 09 40
MS-2282P-.50MM	904 030 02 40 904 030 16 40 926 030 03 40 926 030 10 40
MS-2282P	904 030 00 40 904 030 13 40 926 030 00 40 926 030 07 40
MS-2283P-.25MM	904 030 01 40 904 030 15 40 926 030 02 40 926 030 09 40
MS-2283P-.50MM	904 030 02 40 904 030 16 40 926 030 03 40

MAHLE	MERCEDES-BENZ
MS-2283P-.50MM	926 030 10 40
MS-2283P	904 030 00 40 904 030 13 40 926 030 00 40 926 030 07 40
MS-2331P-.25MM	602 030 21 40
MS-2331P-.50MM	602 030 22 40
MS-2331P	602 030 20 40
MS-2332P-.25MM	460 030 03 40
MS-2332P-.50MM	460 030 04 40
MS-2332P	457 030 03 40 457 030 04 45 460 030 00 40
MS-2333P-.25MM	344 030 10 40 366 030 00 40
MS-2333P-.50MM	344 030 11 40
MS-2333P-.75MM	344 030 12 40
MS-2333P	366 030 00 40 366 030 00 40
MS-2345P-.25MM	447 030 00 40 447 030 02 40
MS-2345P	447 030 00 40
MS19270	612 141 01 80
MS19271	612 142 03 80
MS19744	611 142 07 80
MS19746	611 098 03 80
MS19752	906 142 11 80 926 142 00 80
MS19833	642 142 00 80
MS19834	642 141 05 80
MS19861	403 142 03 80
MS19862	457 141 00 80
MS19864	541 142 04 80
MS19889	651 142 05 80
MS19913	460 142 21 80
MS19914	460 140 01 09 460 140 02 09
MS19915	460 140 00 09 460 140 07 14
OS32263	612 014 01 22
OS32377	611 014 02 22 646 014 03 22
OS32401	906 014 04 22 906 014 07 22 906 014 09 22
OS32402	019 997 36 48 904 014 09 22 904 014 10 22

MAHLE	MERCEDES-BENZ
OS32406	904 014 07 22
OS32407	906 014 05 22
OS32413	447 014 00 22
OS32433	651 014 00 80
OS32450	457 014 02 22
OS32451	457 014 05 22
OX 153D3 ECO	1121840225 O.D. 6111800009 674 025 2406 A 112 184 0525 A1121840025 A6111800009
OX 161D ECO	0001801609 9041800009 9041800210 9041800310 9041840066 9061800109 A0001801609 A9061800109
OX 174D ECO	0001801709 9061800009 9061800209 9061800810 A0001801709 A9061800209
OX 348D ECO	0001802109 0001802909 4571840125 A0001802109 A0001802909 A4571840125
OX 380D ECO	6421800009 6421800010 6421840025 A6421800009 A6421840025
OX 69D	0001843825 0011840125 0011840325 0011840625 0011842525 0011843825 0021847725 0022847725 4021800009 4031840025 4221800210
S42127	926 030 08 24
S42159	366 030 00 24 376 030 00 24

MAHLE	MERCEDES-BENZ
S42159	376 030 02 24 376 030 03 24
S42210	003 030 97 24 904 030 00 24 906 030 01 24 9060300224
S42251	460 030 01 24 460 030 03 24 460 030 04 24
SH-2131S	476 050 00 51
SH-2182S	904 050 01 51 906 051 03 50 906 051 05 50
SH-2184S	906 051 03 50 906 051 05 50
SH-2188S	344 050 00 51
SS46045	906 053 01 58
SS46053	422 053 01 96
SS46054	000 053 35 58
SS46058	906 053 01 58
SS46059	906 053 03 58 906 053 04 58
SS46060	906 053 01 58
SS46061	906 053 03 58 906 053 04 58
SS46066	000 053 46 58 000 053 51 58
SS46074	000 053 53 58 000 053 58 58
SS46075	000 053 35 58
T31767	611 015 01 80
TURBODRAIN1	904 997 02 82 904 997 02 82
TW-620S	601 030 00 62
TW-705S	906 033 05 62 906 033 09 62 A9060330562
TX 18 71D	001 203 39 75 001 203 85 75 002 203 16 75 002 203 54 75 002 203 91 75 002 203 97 75 003 203 29 75 003 203 32 75 003 203 48 75 003 203 74 75 003 203 79 75 004 203 84 75 005 203 28 75

MAHLE	MERCEDES-BENZ
TX 18 71D	22031675
TX 18 79D	001 203 90 75
	002 203 02 75
	002 203 35 75
	002 203 37 75
	002 203 38 75
	002 203 46 75
	002 203 72 75
	002 203 78 75
	003 203 35 75
	003 203 68 75
	003 203 91 75
	003 203 92 75
	004 203 85 75
	005 203 27 75
	100 200 07 15
	100 200 08 15
	100 200 87 15
	602 203 35 75
	616 200 02 15
TX 18 83D	000 203 70 75
	001 203 69 75
	001 203 79 75
	002 203 04 75
	002 203 05 75
	002 203 31 75
	002 203 32 75
	002 203 40 75
	002 203 45 75
	002 203 47 75
	002 203 49 75
	002 203 53 75
	002 203 56 75
	002 203 59 75
	002 203 74 75
	002 203 79 75
	002 203 90 75
	002 203 96 75
	002 203 99 75
	003 203 14 75
	003 203 28 75
	003 203 31 75
	003 203 47 75
	003 203 70 75
	003 203 73 75
	003 203 78 75
	004 203 83 75
	005 203 26 75
	005 203 59 75
	110 200 09 15
	115 200 06 15
	115 200 07 15
	373 203 70 75

MAHLE	MERCEDES-BENZ
TX 18 83D	83 129 996 050
TX 18 87D	001 203 91 75
	002 203 76 75
	002 203 76 76
	002 203 81 75
	003 203 69 75
	100 200 05 15
	102 001 81 5
	102 200 02 15
	102 200 03 15
	102 200 08 15
	102 200 09 15
	102 200 14 15
	102 200 15 15
	102 200 19 15
	110 200 0111
	110 200 05 15
	110 200 06 15
TX 23 79D	0002035475
	001 203 14 75
	001 203 66 75
	002 203 28 75
	004 203 43 75
VS50377	611 016 02 21
	647 016 01 21
VS50574	611 016 02 21
	646 016 12 21
VS50617	904 016 06 21
	906 016 00 80
VS50618	000 016 00 40
	000 016 05 21
VS50619	906 016 00 80
	906 016 06 21
VS50621	000 016 00 40
	000 016 04 21
VS50633	442 016 06 21
	442 016 07 21
VS50634	457 016 00 21
VS50635	457 016 01 21
VS50665	651 016 00 21
VS50712	460 016 00 21
	460 016 01 21

NAVISTAR	MAHLE
1830826C93	HS54204A
1089683C91	S41781
110823R1	218-7687
111024R1	B45229
1240388H1	OC 1001
130476R94	SH-220S
131197H	218-7619
133577R2	PS38272
133699	223-3502
133699R1	223-3502
133825R91	CB-473P
1469335C91	601-1039
151043	CB-581P
151043R21	CB-581P
151043R31	CB-581P
151067R3	OS30765
151114R2	JV825
151193R4	VS38410 VS38410X
151241R1	C26472
151453R2	3175
151665	SH-426S
151665R94	SH-426S
151798R1	217-3836
151854R94	MS-516P
151856R94	MS-516P-10
151857R94	MS-516P-20
151861R92	40222
151863R92	40222.020
151864R92	40222.030
151867	S40220
151867(060)	S40220.060
151867R92	50220 S40220 S50220
151867R92(060)	50220.060 S50220.060
151869	S40220.020
151869R92	50220.020 S40220.020 S50220.020
151870	S40220.030
151870R92	50220.030 S40220.030 S50220.030
151871	S40220.040
151871R92	50220.040

NAVISTAR	MAHLE
151871R92	S40220.040 S50220.040
151879R92	S40220
151881R92	S40220.020
151882R92	S40220.030 S50220.030
151883R92	S40220.040
151907	CB-581P-10
151907R21	CB-581P-10
151907R31	CB-581P-10
151907R91	CB-581P-10
151908	CB-581P-20
151908R21	CB-581P-20
151908R31	CB-581P-20
151912R91	CB-581P
151914R21	CB-581P-10
151915R21	CB-581P-20
164418R3	3153
164421R1	VS39723
1700246C1	CB-1266P
1700248	CB-1266P
1700248C92	CB-1266P
1700702	CB-1266P-10
1700702C92	CB-1266P-10
1700703	CB-1266P-20
1700703C92	CB-1266P-20
1700704	CB-1266P-30
1700704C92	CB-1266P-30
173192R1	MS16022
1802200	CB-1327P
1802200C3	CB-1327P
1802200C3(040)	CB-1327P-40
1802201	CB-1327P-10
1802201C3	CB-1327P-10
1802202	CB-1327P-20
1802202C3	CB-1327P-20
1802203	CB-1327P-30
1802203C3	CB-1327P-30
1802213C99	CS5869
1802217C2	MS-1596P-10
1802218C2	MS-1596P-20
1802220C92	MS-1596P
1802579C91	226-1585
1802580	226-1585
1802581C91	226-1919
1802581C93	226-1919

NAVISTAR	MAHLE
1804009C91	CS5869 JV1019
1804010C91	JV547
1804025C1	CB-1327P
1804032C3	C24551
1804052C1	VS39471
1804136C2	K27163
1804136C3	K27163
1804259C7	3789G
1804330C1	211-2561
1804330C2	211-2561
1804353C1	213-1725
1804353C91	213-1725
1804420C91	B45560
1804468C1	211-2562
1804475	SH-1092S
1804475C94	SH-1092S
1805055C2	MS15369
1805059HP	CB-1365H
1805060HP	CB-1365H-10
1805249C1	218-7920
1805398C94	601-1957
1805917C1	211-2562
1808059	CB-1365P
1808059C92	CB-1365P
1808060	CB-1365P-10
1808060C92	CB-1365P-10
1808061	CB-1365P-20
1808061C92	CB-1365P-20
1808062	CB-1365P-30
1808062C92	CB-1365P-30
1808069	MS-1642P
1808069C92	MS-1642P
1808070	MS-1642P-10
1808070C92	MS-1642P-10
1808071	MS-1642P-20
1808071C92	MS-1642P-20
1808072	MS-1642P-30
1808072C92	MS-1642P-30
1808751C91	SS49745
1808973C91	EK3515VR HS3872
1808973C96	EK3515VR HS3872
1809057C3	5869G
1809058C2	GS33348

NAVISTAR	MAHLE
1809107 C2	224-3163
1809119C91	224-3508
1809119C91(040)	224-3508.040
1809312C95	HS5869
1809683	224-3315
1809683C1-4R	224-3315
1809683C2	224-3296
1809912C2	224-3262
1809920	226-1830
1809920C95	226-1830
1809935	226-4541 226-4585
1809935C3	226-4541 226-4585
1809935C4	226-4541 226-4585
1809938	223-7191
1809938C1	223-7191
1809953C91	247-5186
1809964C92	SS47866
1810038C91	CB-1394P
1810039	CB-1394P-10
1810040C91	CB-1394P-20
1810041C91	CB-1394P-30
1810086	211-3198
1810086C1	211-3198
1810086C2	211-3198
1810358	S41894
1810358C94	S41839 S41894
1810358C97	S41894
1810358C97-4R	S41839
1810359C91	226-1919
1810504	226-4448
1810504C2	226-4448
1810527C2	224-3296
1811049C98	HS3789
1811050C98	HS5869
1811076C1	B45662
1811191C3	211-2562
1811845C92	226-1919
1812301	CB-1633P
1812301C1	CB-1633P
1812301C1(040)	CB-1633P-40
1812302	CB-1633P-10
1812302C1	CB-1633P-10

NAVISTAR	MAHLE
1812303	CB-1633P-20
1812303C1	CB-1633P-20
1812304	CB-1633P-30
1812304C1	CB-1633P-30
1812321C91	MS-2034P
1812322C91	MS-2034P-10
1812323C91	MS-2034P-20
1812376C92	67631
1812847HP	MS-1343H
1812848HP	MS-1343H-10
1813121C91	224-3508.020
1813122C91	224-3508.030
1813156 C1	224-2908.020
1813157 C1	224-2908.030
1813167C91	224-2908
1813171	S41548
1813171(040)	S41548.040
1813171(040)(8)	41548.040
1813171C91	41548
1813171C92	41548 S41548
1813171C92(040)	41548.040 S41548.040
1813173	S41548.020
1813173(8)	41548.020
1813173C92	41548.020 S41548.020
1813174	S41548.030
1813174(8)	41548.030
1813174C92	41548.030 S41548.030
1813175C91	224-2908
1814219C1	MS16314
1815014C1	B45560
1815264	217-4077
1815264C1	217-4077
1815374C1	SS45879
1815668C95	CS3872
1815674	226-4567
1815674C1	226-4567
1815987C92	601-2092
1816179C91	B45897
1816558C1	224-2908.020
1816562C1	224-2908
1816628C2	224-3512HA
1816674C91	224-2908

NAVISTAR	MAHLE
1816674C91	224-3508
1816674C91 RC	224-2908
1816674C91(.040") RC	224-2908.040
1816674C91(040)	224-2908.040 224-3508.040
1816676C91	224-2908.020 224-3508.020
1816676C91 RC	224-2908.020
1816677C91	224-2908.030 224-3508.030
1816677C91 RC	224-2908.030
1816977C1	CB-1659P
1817178	224-3352
1817178C2	224-3352
1817179C1	224-3296
1817246C91	226-1919
1817247	S41781
1817247C91	S41781
1817247C93	S41781
1817247C93-4R	S41839
1817248	226-1919
1817250C92	226-1966 226-2071
1817251C91	S41938
1817254C96	HS3872
1817255C95	HS54253
1817520C2	224-3296
1817520C2-4R	224-3315
1817562C4	54189
1817645	226-1919 226-1944
1817645C91-4R	226-1944
1817645C92	226-1919
1817645C94	226-1919
1817645C94-4R	226-1944
1817867C92	67815
1818092C2	GS33379
1818350C2	VS50328
1818702	224-3722
1818726C1	GS33519
1819546C1	54253
1819547C1	4884
1819733C91	JV547
1820154C2	224-3163 224-3163.010
1820612C91	014 TC 24007 100

NAVISTAR	MAHLE
1820642C91	144 TC 24008 000
1820642C92	144 TC 24010 000
1820646C91	144 TC 24008 000
1820646C92	144 TC 24010 000
1820780C1	224-3163.020
1820781C1	224-3163.030
1820782C91	B45897
1821880C2	C32036
1822097	224-3348
1822097C92	224-3348
1822245C1	B45913
1822321	MS-2096P
1822321C91	MS-2096P
1822322C92	223-7211
1822322C93	223-7211
1822328C95	EK3528 HS54511
1822328C96	HS54511
1822337C91	S42122
1822340	226-1960
1822340C96	226-1960
1822379C91	MS-2096P
1822389	CB-1659P
1822389C91	CB-1659P
1822432C1	CB-1659P-10
1822433C1	CB-1659P-20
1822486	CB-1659P-10
1822486C91	CB-1659P-10
1822487	CB-1659P-20
1822487C91	CB-1659P-20
1822490	MS-2096P-10
1822490C91	MS-2096P-10
1822491	MS-2096P-20
1822491C91	MS-2096P-20
1822494C91	MS-2096P-10
1822495C91	MS-2096P-20
1822702C92	014 TC 24007 100
1822765C91	144 TC 24010 000
1822776C91	144 TC 24010 000
1822834C91	67628
1823313	224-3350
1823313C1	224-3350
1823843	MS-1642P
1823843C91	MS-1642P
1823843HP	MS-1642H
1823844	MS-1642P-10

NAVISTAR	MAHLE
1823844C91	MS-1642P-10
1823844HP	MS-1642H-10
1823845	MS-1642P-20
1823845C91	MS-1642P-20
1823846	MS-1642P-30
1823846C91	MS-1642P-30
1823847	MS-1343P
1823847C91	MS-1343P
1823848	MS-1343P-10
1823848C91	MS-1343P-10
1823849	MS-1343P-20
1823849C91	MS-1343P-20
1823850	MS-1343P-30
1823850C91	MS-1343P-30
1823859	MS-1342P
1823859C91	MS-1342P
1823860	MS-1342P-10
1823860C91	MS-1342P-10
1823861	MS-1342P-20
1823861C91	MS-1342P-20
1823863	CB-1394P
1823863C91	CB-1394P
1823864	CB-1394P-10
1823864C91	CB-1394P-10
1823865	CB-1394P-20
1823865C91	CB-1394P-20
1823866	CB-1394P-30
1823866C91	CB-1394P-30
1823875	211-4155
1823875C1	211-4155
1823875C3	211-4155
1823925C1	B45987
1823930	224-3633
1824284C1	224-3163 224-3409
1824284C1(040)	224-3163.040 224-3409.040
1824284C1-RC	224-3409
1824284C1-RC(040)	224-3409.040
1824810	224-3349
1824810C1	224-3349
1824820	226-2004
1824820C93	226-2004
1824823	226-1964
1824823C92	226-1964
1824840	211-4154

NAVISTAR	MAHLE
1824840C1	211-4154
1824966	226-1962
1824966C92	226-1962
1824970C97	HS54189
1824970C99	HS54189
1824985C99	CS54511
1825289C1	54204
1825436	MS19824
1825436C1	MS19824
1825461C92	S41939
1825547	226-2068
1825547C93	226-2068
1825547C94	226-2068
1825547C96	226-2068
1825547C97	226-2068
1825585	224-3351
1825585C2	224-3351
1825593C1	224-3766
1825602C91	VS50517
1825632C91	144 TC 21003 000
1825632C93	144 TC 21003 000
1825690	226-1963
1825690C93	226-1963
1825818C92	014 TC 24007 100
1825878C92	014 TC 24006 100
1826344C91	144 TC 21002 000
1826344C92	144 TC 21102 000
1826344C93	144 TC 21002 000
1826471C1	211-4292
1826471C2	211-4292
1826587C1	EK3528 OS32226
1826703C1	VS50329
1827252	226-1966
1828127C1	SH-1996S SH-2196S
1830060	224-3722
1830060C1	223-1931 224-3722
1830327C2	54189
1830374C95	CS54511
1830374C96	CS54511
1830374C97	CS54511
1830375	224-3634
1830532C3	224-3724
1830565C91	226-2005

NAVISTAR	MAHLE
1830715C93	226-2067
1830715C97	226-2067
1830715C98	226-2067
1830720C94	EK3527
1830720C96	HS54189
1830723C92	S42123
1830724C92	S42124
1830725	MS-2252P
1830725C91	MS-2252P
1830726	MS-2252P
1830726C91	MS-2252P
1830898C1	224-3163.010 224-3409.010
1830899C1	224-3163.020 224-3409.020
1830899C1-RC	224-3409.020
1830900C1	224-3163.030 224-3409.030
1830900C1-RC	224-3409.030
1830949	S41768
1830949(040)	S41768.040
1830949C92	41768 S41768
1830949C92(040)	41768.040 S41768.040
1830951	S41768.020
1830951C92	41768.020 S41768.020
1830952	S41768.030
1830952C92	41768.030 S41768.030
1831674C92	JV5059
1831680C94	JV5060
1831682C91	CS54204A
1831713C1	K31779
1832159C91	014 TC 26159 100
1832159C92	014 TC 26159 100
1832160C91	014 TC 26159 100 015 TC 21006 100
1832160C92	014 TC 26159 100
1832255C91	014 TC 26159 100
1832255C92	014 TC 26159 100
1833007	G32525
1833007C1	G32525
1833028	54820
1833028C1	54820
1833092	224-3722

NAVISTAR	MAHLE
1833092C2	224-3722
1833361C91	MS-2252P-10
1833362C91	MS-2252P-20
1833364C91	MS-2252P-10
1833365C91	MS-2252P-20
1833564C92	GS33440
1833993C1	224-3666-0.25MM
1833994C1	224-3666-0.50MM
1833995C1	224-3666-0.75MM
1834657C1	223-3671
1835094C1	CB-1814P
1835733C1	JV1684
1836020C91	CB-1847P
1836192C91	226-2066
1836192C92	226-2066
1836192C93	226-2066
1836192C94	226-2066
1836192C95	226-2066
1836192C96	226-2066
1836192C97	226-2066
1836192C98	226-2066
1836197	OS32403
1836197C1	OS32403
1836298C91	226-2065
1836299	226-2065
1836299C91	226-2065
1836299C92	226-2065
1836299C93	226-2065
1836299C94	226-2065
1836299C96	226-2065
1836299C97	226-2065
1836321C2	224-3723
1836779C1	C31801
1837597C1	67726
1837731C1	211-4276
1837731C1(015)	211-4276.015
1837732C1	211-4277
1837732C1(015)	211-4277.015
1837975C93	015 TC 21006 100 015 TS 21006 100
1837984C91	014 TC 26159 100
1837984C94	014 TC 26159 100
1837987C94	015 TC 21006 100
1838136C1	B45952
1838136C2	B45952
1838250C1	VS50395

NAVISTAR	MAHLE
1838526C1	B32554
1838526C2	B32554
1839620C4	F31804
1840053C97	GS33576
1840054C97	014 TC 26159 100
1840054C98	014 TC 26159 100
1840463C2	54450A
1840463C3	54450A
1840701C92	MS19311
1840701C93	MS19637
1840773C1	GS33494
1840995C1	224-3454
1840995C1(040)	224-3454.040
1841296	OS32403
1841326C1	226-4580
1841938	67938
1841938C1	67938
1842124	GS33643
1842124C91	GS33643
1842126C91	GS33644
1842337C91	144 TC 21008 000
1842337C92	144 TC 21008 000
1842337C93	144 TC 21008 000
1842337C94	144 TC 21008 000
1842351	G32527
1842351C1	G32527
1842382	G32526
1842382C2	G32526
1842553C91	226-4580
1842566	MS-2320P
1842566C91	MS-2320P
1842566C92	MS-2320P
1842567	MS-2320P
1842567C91	MS-2320P
1842567C92	MS-2320P
1842570	CB-1847P
1842570C92	CB-1847P
1842623	GS33641
1842623C96	GS33641
1842624	GS33640
1842624C92	GS33640
1842626	GS33642
1842626C96	GS33642
1842662	JV5160
1842662C91	JV5160

NAVISTAR	MAHLE
1842663	CS54820
1842663C93	CS54820
1842889	MS-2320P-10
1842889C91	MS-2320P-10
1842892	MS-2320P-10
1842892C91	MS-2320P-10
1842900	CB-1847P-10
1842900C92	CB-1847P-10
1842901C92	CB-1847P-20
1842913C1	211-4292
1843028C93	MS-2269P
1843076C92	MS-2269P-.25MM
1843077C92	MS-2269P-.50MM
1843078C92	MS-2269P-.75MM
1843264C91	41940.010
1843266C91	41940.020 S41940.020
1843267C91	41940.030 S41940.030
1843282C1	224-3454.020
1843283C1	224-3454.030
1843285C2	224-3503 224-3880
1843285C2(040)	224-3503.040
1843682C91	GS33442
1843761C93	014 TC 26159 100
1843761C94	014 TC 26159 100
1844127C91	015 TC 21006 100 015 TS 21006 100
1844127C92	015 TC 21006 100 015 TS 21006 100
1844588C91	OX 783D ECO
1845178C94	014 TC 26159 100
1845178C95	014 TC 26159 100
1845178C98	014 TC 26159 100 015 TC 21006 100
1845251C91	JV5066
1845253C92	CS54450
1845322C91	014 TC 26159 100
1845323C92	015 TC 21006 100 015 TS 21006 100
1845323C93	015 TC 21006 100 015 TS 21006 100
1845323C94	015 TC 21006 100 015 TS 21006 100
1845520C1	224-3503.010 224-3880.010

NAVISTAR	MAHLE
1845521C1	224-3503.020
1845522C1	224-3503.030
1845605C92	41940 S41940
1845605C92(040)	41940.040 S41940.040
1846764C91	014 TC 26159 100
1846765C91	014 TC 26159 100
1846766C91	015 TC 21006 100 015 TS 21006 100
1846767C91	014 TC 26159 100
1846768C91	015 TC 21006 100 015 TS 21006 100
1847100C95	54450A
1847321C1	G32614
1848042C1	CB-1814P
1848077C1	CB-1814P-.25MM
1848081C1	CB-1814P-.50MM
1848083C1	CB-1814P-.75MM
1848131C91	CB-1814P
1848132C91	CB-1814P-.25MM
1848133C91	CB-1814P-.50MM
1848134C91	CB-1814P-.75MM
1848254C3	B32256
1848254C3	B32256
1848255C3	B32255
1848255C3	B32255
1848256C1	CB-1869P CB-1869P(8)
1848300C92	014 TC 21102 100
1848300C93	014 TC 21102 100
1848300C94	014 TC 21102 100
1848300C95	014 TC 21102 100
1848300C96	014 TC 21102 100
1848300C98	014 TC 21102 100
1848301C1	014 TC 21101 100
1848303C1	014 TC 21102 100
1848303C2	014 TC 21102 100
1848303C3	014 TC 21102 100
1848522C93	KX 391S
1850307C1	54579A
1854006C1	211-4521
1854007C1	211-4522
1854480C91	014 TC 26159 100
1854593C91	014 TC 26159 100
1854742C1	C32243

NAVISTAR	MAHLE
1855083C1	67831 JV5139
1855240C1	MS19312
1855240C2	MS19312
1855554X91	014 TC 26159 100
1856150X91	014 TC 26159 100
1856151X91	014 TC 26159 100
1856152C91	015 TC 21006 100 015 TS 21006 100
1856152C91	014 TC 26159 100 015 TC 21006 100 015 TS 21006 100
1856152C92	015 TC 21006 100 015 TS 21006 100
1856264X91	014 TC 26159 100
1858116C91	014 TC 26159 100
1870932C91	144 TC 21008 000
1870932C92	144 TC 21008 000
1870932C93	144 TC 21008 000
1870932C94	144 TC 21008 000
1871795C1	CB-1869P-.25MM CB-1869P-.25MM(8)
1871796C1	CB-1869P-.50MM CB-1869P-.50MM(8)
1871797C1	CB-1869P-.75MM
1871904	OS32403
1872657C2	GS33495
1872938C91	42097.010 S42097.010
1872939C91	42097.020 S42097.020
1872940C91	42097.030 S42097.030
1873171C91	CB-1869P CB-1869P(8)
1873172C91	42097 S42097
1873180C92	OS32271 OS32352
1873196C91	54657
1873196C95	54657
1873425C91	GS33688
1873425C93	GS33555 GS33688
1873429C92	GS33566 GS33566A
1873429C96	GS33566 GS33566A

NAVISTAR	MAHLE
1873917C91	KX 392/D
1874253C1	223-1931
1874401C1	B45952
1874865C91	CS54511
1874865C92	CS54511
1875470C2	54657
1875869C92	SH-2195S
1876484C1	54657
1876493C91	014 TC 26159 100
1876503C91	CB-1869P-.25MM CB-1869P-.25MM(8)
1876504C91	CB-1869P-.50MM CB-1869P-.50MM(8)
1876505C91	CB-1869P-.75MM
1876724C91	VS50503
1877453C91	JV1684
1877834C91	014 TC 26159 100
1877834C92	014 TC 26159 100
1878042C91	KX 392/D
1878410C1	224-3666
1885598	HS54820
1885598C91	HS54820
1886295C93	HS54657
1886491C1	224-3851
1886563C1	226-4580
1886793	MS19838
1886793C2	MS19838
1888610C1	CB-1847P-10
1888652C91	226-4580
1889245	HS54820
1889245C95	HS54820
1889245C96	HS54820
1889589	B46046
1889589C1	B46046
1891053C93	HS54579
1891054C93	HS54450
1894141C92	HS54189
1894208C1	224-3851-0.25MM
1894209C1	224-3851-0.50MM
1894210C1	224-3851-0.75MM
1894288C91	GS33699
1899566C91	CB-1958P-.25MM
217158R92	213-1650
230421R91	601-1087
237248R1	217-3747
2506782C91	144 TC 21102 000

NAVISTAR	MAHLE
2510851C91	CB-1958P
252483R1	72218
2587926C91	CS54204A
294458C12	CB-633P
3032750R1	KC 6
317749C92	SS61197
323962R1	CB-675P
323962R11	CB-675P
337265R11	CB-685P
341573R11	CB-675P
341576R11	CB-675P-10
341579R11	CB-675P-20
341582R11	CB-675P-30
349062C1	MS12459
367792R91	226-1585
369671C92	S40801.030
369982R1	PS39682
369984R1	OS31569
372770R92	HS3153W
41339D	216-5144
41991H	C24672
428046	217-3325
428046C1	217-3325
4307304R91	014 TS 21101 100
4307305R91	014 TS 21101 100
433562C1	213-1679
434466	S41416
434466C93	S41416
434467C93	S41416.010
446448C3	C24550
446455	601-1137
446455C91	601-1137
446474C1	223-3584
446475	CB-1230P
446475C1	CB-1230P
446476	CB-1230P-10
446476C1	CB-1230P-10
446478	CB-1230P-30
446478C1	CB-1230P-30
446819	S51168
446819C92	S41168 S51168
446822C92	S51168.030
448139C93	SH-681S
448428C1	OS31571
480842C91	MS-883P

NAVISTAR	MAHLE
480843C91	MS-883P-10
480844C92	MS-883P-20
5010147R93	014 TC 26159 100
5010314R94	144 TC 21008 000
5010360R91	014 TS 21101 100
5010361R92	014 TS 21101 100
5010399R91	014 TC 26159 100
5010422R91	014 TC 26159 100
5010581R91	144 TC 21008 000
59089D	D34545
671559	218-7878
671559C1	218-7878
671563C1	218-7877
671563C3	218-7877
671825C1	OS32197
671827C4	OS20550
674316C91	S41893
674398C95	HS3872
674399C97	CS3872
675006	223-3595
675006C1	223-3595
675006C2	223-3595
675024C1	226-4448
675024C2	226-4448
675046	211-2355
675046C2	211-2355
675046C4	211-2355
675109C3	VS39756
675384C1	C31539
675406C1	8-3315
675439	217-3252
675439C1	217-3252
675477C1	GS33490
675669C92	247-5048 247-5162
675669C93	247-5048 247-5162
675774C2	223-7168
676865	211-2356
676865C2	211-2356
676865C4	211-2356
680076	223-7168
680086C1	223-7168
680117	SH-994S
680117C1	SH-994S
680117C3	SH-994S

NAVISTAR	MAHLE
681234C1	B45607
681314	CB-675P
681314C2	CB-675P
681314C2(040)	CB-675P-40
681314C3	CB-675H CB-675P
681315	CB-675P-10
681315C2	CB-675H-10 CB-675P-10
681315C3	CB-675H-10 CB-675P-10
681316	CB-675P-30
681316C2	CB-675P-30
681316C3	CB-675P-30
681317C3(040)	CB-675P-40
682070C1	CB-675P
682199C1	MS16223
682720C1	226-4448
682720C1	226-4448
684255	224-2028
684255C2	224-2028
684256	S41893
684269C91	S41893
684290C91	226-1585
684570	MS-1343P
684570C93	MS-1343P MS-1642P
684573	MS-1343P-10
684573C93	MS-1343P-10 MS-1642P-10
684576	MS-1343P-30
684576C93	MS-1343P-30 MS-1642P-30
684579	MS-1343P MS-1642P
684579C93	MS-1343P MS-1642P
684582	MS-1343P-10 MS-1642P-10
684582C93	MS-1343P-10 MS-1642P-10
684585	MS-1343P-30 MS-1642P-30
684585C93	MS-1343P-30 MS-1642P-30
684596C91	144 TC 21005 000
684698C91	144 TC 21005 000

NAVISTAR	MAHLE
687382	CB-675P-20
687382C2	CB-675P-20
687382C3	CB-675P-20
687391	MS-1343P-20
687391C3	MS-1343P-20 MS-1642P-20
687394	MS-1343P-20 MS-1642P-20
687394C3	MS-1343P-20 MS-1642P-20
687429C91	S41894
687432C91	226-1585
688835C2	224-3296
690437C91	SS47537
690437C95	SS47537
691020C91	144 TC 21005 000
691059C91	144 TC 21005 000
70012R1	223-3469
70121R94	CS3153
7080199C91	42246 S42246
7080200C91	42246.010 S42246.010
7080201C91	42246.020 S42246.020
7080202C91	42246.030 S42246.030
7080946C91	67831
7082285C1	CB-1814P
7082287C1	CB-1814P-.25MM
7082288C1	CB-1814P-.50MM
7082289C1	CB-1814P-.75MM
7085756C91	CB-1814P
7085757C91	CB-1814P-.25MM
7085758C91	CB-1814P-.50MM
7085759C91	CB-1814P-.75MM
735030C91	144 TC 21005 000
749282C91	144 TC 21005 000
866834R1	B45356
874894R91	S40801.030
874897R91	S40801
874900R91	S40801.030
8C3Z 8507-B	K32242
991712C91	144 TC 24010 000
F7TZ-6E078-BB	CS54204A

MAHLE	NAVISTAR
014 TC 21101 100	1848301C1
014 TC 21102 100	1848300C92 1848300C93 1848300C94 1848300C95 1848300C96 1848300C98 1848303C1 1848303C2 1848303C3
014 TC 24006 100	1825878C92
014 TC 24007 100	1820612C91 1822702C92 1825818C92
014 TC 26159 100	1832159C91 1832159C92 1832160C91 1832160C92 1832255C91 1832255C92 1837984C91 1837984C94 1840054C97 1840054C98 1843761C93 1843761C94 1845178C94 1845178C95 1845178C98 1845322C91 1846764C91 1846765C91 1846767C91 1854480C91 1854593C91 1855554X91 1856150X91 1856151X91 1856152C91 1856264X91 1858116C91 1876493C91 1877834C91 1877834C92 5010147R93 5010399R91 5010422R91
014 TS 21101 100	4307304R91 4307305R91 5010360R91 5010361R92
015 TC 21006 100	1832160C91

MAHLE	NAVISTAR
015 TC 21006 100	1837975C93 1837987C94 1844127C91 1844127C92 1845178C98 1845323C92 1845323C93 1845323C94 1846766C91 1846768C91 1856152C91 1856152C91 1856152C92
015 TS 21006 100	1837975C93 1844127C91 1844127C92 1845323C92 1845323C93 1845323C94 1846766C91 1846768C91 1856152C91 1856152C91 1856152C92
144 TC 21002 000	1826344C91 1826344C93
144 TC 21003 000	1825632C91 1825632C93
144 TC 21005 000	684596C91 684698C91 691020C91 691059C91 735030C91 749282C91
144 TC 21008 000	1842337C91 1842337C92 1842337C93 1842337C94 1870932C91 1870932C92 1870932C93 1870932C94 5010314R94 5010581R91
144 TC 21102 000	1826344C92 2506782C91
144 TC 24008 000	1820642C91 1820646C91
144 TC 24010 000	1820642C92 1820646C92 1822765C91 1822776C91

MAHLE	NAVISTAR
144 TC 24010 000	991712C91
211-2355	675046 675046C2 675046C4
211-2356	676865 676865C2 676865C4
211-2561	1804330C1 1804330C2
211-2562	1804468C1 1805917C1 1811191C3
211-3198	1810086 1810086C1 1810086C2
211-4154	1824840 1824840C1
211-4155	1823875 1823875C1 1823875C3
211-4276.015	1837731C1(015)
211-4276	1837731C1
211-4277.015	1837732C1(015)
211-4277	1837732C1
211-4292	1826471C1 1826471C2 1842913C1
211-4521	1854006C1
211-4522	1854007C1
213-1650	217158R92
213-1679	433562C1
213-1725	1804353C1 1804353C91
216-5144	41339D
217-3252	675439 675439C1
217-3325	428046 428046C1
217-3747	237248R1
217-3836	151798R1
217-4077	1815264 1815264C1
218-7619	131197H
218-7687	110823R1
218-7877	671563C1 671563C3
218-7878	671559 671559C1
218-7920	1805249C1

MAHLE	NAVISTAR
223-1931	1830060C1 1874253C1
223-3469	70012R1
223-3502	133699 133699R1
223-3584	446474C1
223-3595	675006 675006C1 675006C2
223-3671	1834657C1
223-7168	675774C2 680076 680086C1
223-7191	1809938 1809938C1
223-7211	1822322C92 1822322C93
224-2028	684255 684255C2
224-2908.020	1813156 C1 1816558C1 1816676C91 1816676C91 RC
224-2908.030	1813157 C1 1816677C91 1816677C91 RC
224-2908.040	1816674C91(.040") RC 1816674C91(040)
224-2908	1813167C91 1813175C91 1816562C1 1816674C91 1816674C91 RC
224-3163.010	1820154C2 1830898C1
224-3163.020	1820780C1 1830899C1
224-3163.030	1820781C1 1830900C1
224-3163.040	1824284C1(040)
224-3163	1809107 C2 1820154C2 1824284C1
224-3262	1809912C2
224-3296	1809683C2 1810527C2 1817179C1 1817520C2 688835C2

MAHLE	NAVISTAR
224-3315	1809683 1809683C1-4R 1817520C2-4R
224-3348	1822097 1822097C92
224-3349	1824810 1824810C1
224-3350	1823313 1823313C1
224-3351	1825585 1825585C2
224-3352	1817178 1817178C2
224-3409.010	1830898C1
224-3409.020	1830899C1 1830899C1-RC
224-3409.030	1830900C1 1830900C1-RC
224-3409.040	1824284C1(040) 1824284C1-RC(040)
224-3409	1824284C1 1824284C1-RC
224-3454.020	1843282C1
224-3454.030	1843283C1
224-3454.040	1840995C1(040)
224-3454	1840995C1
224-3503.010	1845520C1
224-3503.020	1845521C1
224-3503.030	1845522C1
224-3503.040	1843285C2(040)
224-3503	1843285C2
224-3508.020	1813121C91 1816676C91
224-3508.030	1813122C91 1816677C91
224-3508.040	1809119C91(040) 1816674C91(040)
224-3508	1809119C91 1816674C91
224-3512HA	1816628C2
224-3633	1823930
224-3634	1830375
224-3666-0.25MM	1833993C1
224-3666-0.50MM	1833994C1
224-3666-0.75MM	1833995C1
224-3666	1878410C1
224-3722	1818702 1830060

MAHLE	NAVISTAR
224-3722	1830060C1 1833092 1833092C2
224-3723	1836321C2
224-3724	1830532C3
224-3766	1825593C1
224-3851-0.25MM	1894208C1
224-3851-0.50MM	1894209C1
224-3851-0.75MM	1894210C1
224-3851	1886491C1
224-3880.010	1845520C1
224-3880	1843285C2
226-1585	1802579C91 1802580 367792R91 684290C91 687432C91
226-1830	1809920 1809920C95
226-1919	1802581C91 1802581C93 1810359C91 1811845C92 1817246C91 1817248 1817645 1817645C92 1817645C94
226-1944	1817645 1817645C91-4R 1817645C94-4R
226-1960	1822340 1822340C96
226-1962	1824966 1824966C92
226-1963	1825690 1825690C93
226-1964	1824823 1824823C92
226-1966	1817250C92 1827252
226-2004	1824820 1824820C93
226-2005	1830565C91
226-2065	1836298C91 1836299 1836299C91 1836299C92 1836299C93 1836299C94

MAHLE	NAVISTAR
226-2065	1836299C96 1836299C97
226-2066	1836192C91 1836192C92 1836192C93 1836192C94 1836192C95 1836192C96 1836192C97 1836192C98
226-2067	1830715C93 1830715C97 1830715C98
226-2068	1825547 1825547C93 1825547C94 1825547C96 1825547C97
226-2071	1817250C92
226-4448	1810504 1810504C2 675024C1 675024C2 682720C1 682720C1
226-4541	1809935 1809935C3 1809935C4
226-4567	1815674 1815674C1
226-4580	1841326C1 1842553C91 1886563C1 1888652C91
226-4585	1809935 1809935C3 1809935C4
247-5048	675669C92 675669C93
247-5162	675669C92 675669C93
247-5186	1809953C91
3153	164418R3
3175	151453R2
3789G	1804259C7
40222.020	151863R92
40222.030	151864R92
40222	151861R92
41548.020	1813173(8) 1813173C92

MAHLE	NAVISTAR
41548.030	1813174(8) 1813174C92
41548.040	1813171(040)(8) 1813171C92(040)
41548	1813171C91 1813171C92
41768.020	1830951C92
41768.030	1830952C92
41768.040	1830949C92(040)
41768	1830949C92
41940.010	1843264C91
41940.020	1843266C91
41940.030	1843267C91
41940.040	1845605C92(040)
41940	1845605C92
42097.010	1872938C91
42097.020	1872939C91
42097.030	1872940C91
42097	1873172C91
42246.010	7080200C91
42246.020	7080201C91
42246.030	7080202C91
42246	7080199C91
4884	1819547C1
50220.020	151869R92
50220.030	151870R92
50220.040	151871R92
50220.060	151867R92(060)
50220	151867R92
54189	1817562C4 1830327C2
54204	1825289C1
54253	1819546C1
54450A	1840463C2 1840463C3 1847100C95
54579A	1850307C1
54657	1873196C91 1873196C95 1875470C2 1876484C1
54820	1833028 1833028C1
5869G	1809057C3
601-1039	1469335C91
601-1087	230421R91
601-1137	446455

MAHLE	NAVISTAR
601-1137	446455C91
601-1957	1805398C94
601-2092	1815987C92
67628	1822834C91
67631	1812376C92
67726	1837597C1
67815	1817867C92
67831	1855083C1 7080946C91
67938	1841938 1841938C1
72218	252483R1
8-3315	675406C1
B32255	1848255C3 1848255C3
B32256	1848254C3 1848254C3
B32554	1838526C1 1838526C2
B45229	111024R1
B45356	866834R1
B45560	1804420C91 1815014C1
B45607	681234C1
B45662	1811076C1
B45897	1816179C91 1820782C91
B45913	1822245C1
B45952	1838136C1 1838136C2 1874401C1
B45987	1823925C1
B46046	1889589 1889589C1
C24550	446448C3
C24551	1804032C3
C24672	41991H
C26472	151241R1
C31539	675384C1
C31801	1836779C1
C32036	1821880C2
C32243	1854742C1
CB-1230P-10	446476 446476C1
CB-1230P-30	446478 446478C1
CB-1230P	446475 446475C1

MAHLE	NAVISTAR
CB-1266P-10	1700702 1700702C92
CB-1266P-20	1700703 1700703C92
CB-1266P-30	1700704 1700704C92
CB-1266P	1700246C1 1700248 1700248C92
CB-1327P-10	1802201 1802201C3
CB-1327P-20	1802202 1802202C3
CB-1327P-30	1802203 1802203C3
CB-1327P-40	1802200C3(040)
CB-1327P	1802200 1802200C3 1804025C1
CB-1365H-10	1805060HP
CB-1365H	1805059HP
CB-1365P-10	1808060 1808060C92
CB-1365P-20	1808061 1808061C92
CB-1365P-30	1808062 1808062C92
CB-1365P	1808059 1808059C92
CB-1394P-10	1810039 1823864 1823864C91
CB-1394P-20	1810040C91 1823865 1823865C91
CB-1394P-30	1810041C91 1823866 1823866C91
CB-1394P	1810038C91 1823863 1823863C91
CB-1633P-10	1812302 1812302C1
CB-1633P-20	1812303 1812303C1
CB-1633P-30	1812304 1812304C1
CB-1633P-40	1812301C1(040)
CB-1633P	1812301

MAHLE	NAVISTAR
CB-1633P	1812301C1
CB-1659P-10	1822432C1 1822486 1822486C91
CB-1659P-20	1822433C1 1822487 1822487C91
CB-1659P	1816977C1 1822389 1822389C91
CB-1814P-.25MM	1848077C1 1848132C91 7082287C1 7085757C91
CB-1814P-.50MM	1848081C1 1848133C91 7082288C1 7085758C91
CB-1814P-.75MM	1848083C1 1848134C91 7082289C1 7085759C91
CB-1814P	1835094C1 1848042C1 1848131C91 7082285C1 7085756C91
CB-1847P-10	1842900 1842900C92 1888610C1
CB-1847P-20	1842901C92
CB-1847P	1836020C91 1842570 1842570C92
CB-1869P(8)	1848256C1 1873171C91
CB-1869P-.25MM(8)	1871795C1 1876503C91
CB-1869P-.25MM	1871795C1 1876503C91
CB-1869P-.50MM(8)	1871796C1 1876504C91
CB-1869P-.50MM	1871796C1 1876504C91
CB-1869P-.75MM	1871797C1 1876505C91
CB-1869P	1848256C1 1873171C91
CB-1958P-.25MM	1899566C91
CB-1958P	2510851C91

MAHLE	NAVISTAR
CB-473P	133825R91
CB-581P-10	151907 151907R21 151907R31 151907R91 151914R21
CB-581P-20	151908 151908R21 151908R31 151915R21
CB-581P	151043 151043R21 151043R31 151912R91
CB-633P	294458C12
CB-675H-10	681315C2 681315C3
CB-675H	681314C3
CB-675P-10	341576R11 681315 681315C2 681315C3
CB-675P-20	341579R11 687382 687382C2 687382C3
CB-675P-30	341582R11 681316 681316C2 681316C3
CB-675P-40	681314C2(040) 681317C3(040)
CB-675P	323962R1 323962R11 341573R11 681314 681314C2 681314C3 682070C1
CB-685P	337265R11
CS3153	70121R94
CS3872	1815668C95 674399C97
CS54204A	1831682C91 2587926C91 F7TZ-6E078-BB
CS54450	1845253C92
CS54511	1824985C99 1830374C95 1830374C96

MAHLE	NAVISTAR
CS54511	1830374C97 1874865C91 1874865C92
CS54820	1842663 1842663C93
CS5869	1802213C99 1804009C91
D34545	59089D
EK3515VR	1808973C91 1808973C96
EK3527	1830720C94
EK3528	1822328C95 1826587C1
F31804	1839620C4
G32525	1833007 1833007C1
G32526	1842382 1842382C2
G32527	1842351 1842351C1
G32614	1847321C1
GS33348	1809058C2
GS33379	1818092C2
GS33440	1833564C92
GS33442	1843682C91
GS33490	675477C1
GS33494	1840773C1
GS33495	1872657C2
GS33519	1818726C1
GS33555	1873425C93
GS33566A	1873429C92 1873429C96
GS33566	1873429C92 1873429C96
GS33576	1840053C97
GS33640	1842624 1842624C92
GS33641	1842623 1842623C96
GS33642	1842626 1842626C96
GS33643	1842124 1842124C91
GS33644	1842126C91
GS33688	1873425C91 1873425C93
GS33699	1894288C91
HS3153W	372770R92

MAHLE	NAVISTAR
HS3789	1811049C98
HS3872	1808973C91 1808973C96 1817254C96 674398C95
HS54189	1824970C97 1824970C99 1830720C96 1894141C92
HS54204A	1830826C93
HS54253	1817255C95
HS54450	1891054C93
HS54511	1822328C95 1822328C96
HS54579	1891053C93
HS54657	1886295C93
HS54820	1885598 1885598C91 1889245 1889245C95 1889245C96
HS5869	1809312C95 1811050C98
JV1019	1804009C91
JV1684	1835733C1 1877453C91
JV5059	1831674C92
JV5060	1831680C94
JV5066	1845251C91
JV5139	1855083C1
JV5160	1842662 1842662C91
JV547	1804010C91 1819733C91
JV825	151114R2
K27163	1804136C2 1804136C3
K31779	1831713C1
K32242	8C3Z 8507-B
KC 6	3032750R1
KX 391S	1848522C93
KX 392/D	1873917C91 1878042C91
MS-1342P-10	1823860 1823860C91
MS-1342P-20	1823861 1823861C91
MS-1342P	1823859 1823859C91

MAHLE	NAVISTAR
MS-1343H-10	1812848HP
MS-1343H	1812847HP
MS-1343P-10	1823848 1823848C91 684573 684573C93 684582 684582C93
MS-1343P-20	1823849 1823849C91 687391 687391C3 687394 687394C3
MS-1343P-30	1823850 1823850C91 684576 684576C93 684585 684585C93
MS-1343P	1823847 1823847C91 684570 684570C93 684579 684579C93
MS-1596P-10	1802217C2
MS-1596P-20	1802218C2
MS-1596P	1802220C92
MS-1642H-10	1823844HP
MS-1642H	1823843HP
MS-1642P-10	1808070 1808070C92 1823844 1823844C91 684573C93 684582 684582C93
MS-1642P-20	1808071 1808071C92 1823845 1823845C91 687391C3 687394 687394C3
MS-1642P-30	1808072 1808072C92 1823846 1823846C91 684576C93 684585

MAHLE	NAVISTAR
MS-1642P-30	684585C93
MS-1642P	1808069 1808069C92 1823843 1823843C91 684570C93 684579 684579C93
MS-2034P-10	1812322C91
MS-2034P-20	1812323C91
MS-2034P	1812321C91
MS-2096P-10	1822490 1822490C91 1822494C91
MS-2096P-20	1822491 1822491C91 1822495C91
MS-2096P	1822321 1822321C91 1822379C91
MS-2252P-10	1833361C91 1833364C91
MS-2252P-20	1833362C91 1833365C91
MS-2252P	1830725 1830725C91 1830726 1830726C91
MS-2269P-.25MM	1843076C92
MS-2269P-.50MM	1843077C92
MS-2269P-.75MM	1843078C92
MS-2269P	1843028C93
MS-2320P-10	1842889 1842889C91 1842892 1842892C91
MS-2320P	1842566 1842566C91 1842566C92 1842567 1842567C91 1842567C92
MS-516P-10	151856R94
MS-516P-20	151857R94
MS-516P	151854R94
MS-883P-10	480843C91
MS-883P-20	480844C92
MS-883P	480842C91
MS12459	349062C1

MAHLE	NAVISTAR
MS15369	1805055C2
MS16022	173192R1
MS16223	682199C1
MS16314	1814219C1
MS19311	1840701C92
MS19312	1855240C1 1855240C2
MS19637	1840701C93
MS19824	1825436 1825436C1
MS19838	1886793 1886793C2
OC 1001	1240388H1
OS20550	671827C4
OS30765	151067R3
OS31569	369984R1
OS31571	448428C1
OS32197	671825C1
OS32226	1826587C1
OS32271	1873180C92
OS32352	1873180C92
OS32403	1836197 1836197C1 1841296 1871904
OX 783D ECO	1844588C91
PS38272	133577R2
PS39682	369982R1
S40220.020	151869 151869R92 151881R92
S40220.030	151870 151870R92 151882R92
S40220.040	151871 151871R92 151883R92
S40220.060	151867(060) 151867 151867R92 151879R92
S40801.030	369671C92 874894R91 874900R91
S40801	874897R91
S41168	446819C92
S41416.010	434467C93
S41416	434466

MAHLE	NAVISTAR
S41416	434466C93
S41548.020	1813173 1813173C92
S41548.030	1813174 1813174C92
S41548.040	1813171(040) 1813171C92(040)
S41548	1813171 1813171C92
S41768.020	1830951 1830951C92
S41768.030	1830952 1830952C92
S41768.040	1830949(040) 1830949C92(040)
S41768	1830949 1830949C92
S41781	1089683C91 1817247 1817247C91 1817247C93
S41839	1810358C94 1810358C97-4R 1817247C93-4R
S41893	674316C91 684256 684269C91
S41894	1810358 1810358C94 1810358C97 687429C91
S41938	1817251C91
S41939	1825461C92
S41940.020	1843266C91
S41940.030	1843267C91
S41940.040	1845605C92(040)
S41940	1845605C92
S42097.010	1872938C91
S42097.020	1872939C91
S42097.030	1872940C91
S42097	1873172C91
S42122	1822337C91
S42123	1830723C92
S42124	1830724C92
S42246.010	7080200C91
S42246.020	7080201C91
S42246.030	7080202C91
S42246	7080199C91

MAHLE	NAVISTAR
S50220.020	151869R92
S50220.030	151870R92 151882R92
S50220.040	151871R92
S50220.060	151867R92(060)
S50220	151867R92
S51168.030	446822C92
S51168	446819 446819C92
SH-1092S	1804475 1804475C94
SH-1996S	1828127C1
SH-2195S	1875869C92
SH-2196S	1828127C1
SH-220S	130476R94
SH-426S	151665 151665R94
SH-681S	448139C93
SH-994S	680117 680117C1 680117C3
SS45879	1815374C1
SS47537	690437C91 690437C95
SS47866	1809964C92
SS49745	1808751C91
SS61197	317749C92
VS38410X	151193R4
VS38410	151193R4
VS39471	1804052C1
VS39723	164421R1
VS39756	675109C3
VS50328	1818350C2
VS50329	1826703C1
VS50395	1838250C1
VS50503	1876724C91
VS50517	1825602C91

SCANIA	MAHLE
0 255 502	TX 18 83D
1 359 961	THD 1 86
130 46 42	S42117
1304563	CB-1886P
1363056	MS-2278P
1424902	S42117
1729991	CB-1886P
1782414	226-2029
1785692	CB-1886P
241067	TX 23 79D
247573	S42117
251899	TX 23 79D
3597660	061 TC 31101 000
3597661	061 TC 31101 000
550254	S42117
550494	CB-1886P

MAHLE	SCANIA
061 TC 31101 000	3597660 3597661
226-2029	1782414
CB-1886P	1304563 1729991 1785692 550494
MS-2278P	1363056
S42117	130 46 42 1424902 247573 550254
THD 1 86	1 359 961
TX 18 83D	0 255 502
TX 23 79D	241067 251899

VOLVO	MAHLE	VOLVO	MAHLE	VOLVO	MAHLE
1 543 896	67804	207 602 35	226-4622	3828838	KC 430D
1 544 683 4	THD 1 82	207 685 19	211-4308	3976603	OC 42
1 547 419	GS33689	20736734	S42261	405380	KC 6
1 547 562	OS32295	20747511	S42231	420799	KC 75
1 547 594	VS50456	20872333	224-3860WR	4207999	KC 75
1 665 694	THD 1 86	20928630	226-2092	466634	OC 121
1 665 694 4	THD 1 86	20972293	KC 300	4666343	OC 121
1 676 306	THD 1 82	20976003	KC 251	471392	OC 282
154 749 2	211-4291	21 070 576	VS50457	4713921	OC 282
1544683	THD 1 82	21 293 367	OS32430	4713982	OC 282
20 412 953	54637	21 409 435	HS54894	477556	OC 282
20 415 954	54637	21041800	224-3859	4775565	OC 282
20 459 855	B45984		224-3859X	478362	OC 370
	SS46059	211 051 77	224-3858	478736	OC 370
20 532 272	OS32452		224-3858X	4787362	OC 370
20 710 229	OS32452	21145173	KC 300	484074	OC 37
20 710 235	VS50457	212 096 50	226-2091	4840740	OC 37
20 710 242	HS54637A	212 678 44	TW-717S	6884417	OC 121
20 710 309	CS54637A	21237213	THD 3 82	8 130 106	OS32452
	CS54637B	21253763	S42231	8 149 182 1	THD 1 82
20 864 662	SS46065	21264664	THD 3 82	8 149 186	THD 1 86
20381185	223-3694	21412639	THD 3 82	8 170 116	VS50457
204 409 62	224-3872WR	21707132	OC 282	8 517 857	THD 1 86
204 515 02	226-4631	21707133	OC 370	8 631 652	B45976
204 630 52	224-3871WR	21707134	OC 121	814 857 4	211-4290
204 942 59	SH-2126S	270950	223-7222	8193841	KC 75
204 985 44	226-4623	276 134	CB-1885P	85 103 632	CS54637A
	226-4623X	276 135	CB-1885P-.25MM	851 014 52	226-2028
2040516-0	KC 300	276 136	CB-1885P-.50MM	851 136 39	226-2027
2043075-1	KC 251	276 630	SH-2126S	859 171	B45984
20463750	THD 3 82	276 875	HS54637		SS46059
205 032 00	SH-2126S	276 887	54637	8643157	KC 218
205 099 31	226-2073	276 888	CS54637	876 189	226-2087
205 099 32	S42119	276 916	54637	876 233	226-2087
205 219 43	226-2098	276 930	HS54637	946 441	VS50457
205 219 49	226-2028		MS19471	991203410	KC 191
205 309 16	MS-2338P	276 949	S42119	991290710	OC 320
205 786 24	MS-2338P-.25MM	3 092 641	MS19472		
205 786 25	MS-2338P-.50MM	3 093 503	54637		
205 805 58	CB-1963AP(6)	3 093 504	MS19472		
20560249	THD 3 82	3 099 100	54637		
207 119 63	CB-1963AP-. 25MM(6)	3 165 098	VS50457		
207 119 64	CB-1963AP-. 50MM(6)	3 919 752	HS54637		
207 407 98	211-4307	3 964 604	VS50456		
		316 949 0	211-4291		
		36844	OC 320		

MAHLE	VOLVO
211-4290	814 857 4
211-4291	154 749 2 316 949 0
211-4307	207 407 98
211-4308	207 685 19
223-3694	20381185
223-7222	270950
224-3858X	211 051 77
224-3858	211 051 77
224-3859X	21041800
224-3859	21041800
224-3860WR	20872333
224-3871WR	204 630 52
224-3872WR	204 409 62
226-2027	851 136 39
226-2028	205 219 49 851 014 52
226-2073	205 099 31
226-2087	876 189 876 233
226-2091	212 096 50
226-2092	20928630
226-2098	205 219 43
226-4622	207 602 35
226-4623X	204 985 44
226-4623	204 985 44
226-4631	204 515 02
54637	20 412 953 20 415 954 276 887 276 916 3 093 503 3 099 100
67804	1 543 896
B45976	8 631 652
B45984	20 459 855 859 171
CB-1885P-.25MM	276 135
CB-1885P-.50MM	276 136
CB-1885P	276 134
CB-1963AP(6)	205 805 58
CB-1963AP-. 25MM(6)	207 119 63
CB-1963AP-. 50MM(6)	207 119 64
CS54637A	20 710 309 85 103 632
CS54637B	20 710 309
CS54637	276 888
GS33689	1 547 419

MAHLE	VOLVO
HS54637A	20 710 242
HS54637	276 875 276 930 3 919 752
HS54894	21 409 435
KC 191	991203410
KC 218	8643157
KC 251	2043075-1 20976003
KC 300	2040516-0 20972293 21145173
KC 430D	3828838
KC 6	405380
KC 75	420799 4207999 8193841
MS-2338P-.25MM	205 786 24
MS-2338P-.50MM	205 786 25
MS-2338P	205 309 16
MS19471	276 930
MS19472	3 092 641 3 093 504
OC 121	21707134 466634 4666343 6884417
OC 282	21707132 471392 4713921 4713982 477556 4775565
OC 320	36844 991290710
OC 370	21707133 478362 478736 4787362
OC 37	484074 4840740
OC 42	3976603
OS32295	1 547 562
OS32430	21 293 367
OS32452	20 532 272 20 710 229 8 130 106
S42119	205 099 32 276 949
S42231	20747511 21253763

MAHLE	VOLVO
S42261	20736734
SH-2126S	204 942 59 205 032 00 276 630
SS46059	20 459 855 859 171
SS46065	20 864 662
THD 1 82	1 544 683 4 1 676 306 1544683 8 149 182 1
THD 1 86	1 665 694 1 665 694 4 8 149 186 8 517 857
THD 3 82	20463750 20560249 21237213 21264664 21412639
TW-717S	212 678 44
VS50456	1 547 594 3 964 604
VS50457	20 710 235 21 070 576 3 165 098 8 170 116 946 441